



US00D467844S

(12) **United States Design Patent**
Preston

(10) **Patent No.:** **US D467,844 S**

(45) **Date of Patent:** **** Dec. 31, 2002**

(54) **INSTRUMENT PANEL**

(75) **Inventor:** **Wallace R. Preston**, Dana Point, CA
(US)

(73) **Assignee:** **Mitsubishi Jidosha Kogyo Kabushiki**
Kaisha, Tokyo (JP)

(**) **Term:** **14 Years**

(21) **Appl. No.:** **29/153,454**

(22) **Filed:** **Jan. 10, 2002**

(51) **LOC (7) Cl.** **12-16**

(52) **U.S. Cl.** **D12/192**

(58) **Field of Search** D12/192, 400,
D12/114; D10/98; 180/90; 296/70, 190-191;
280/752, DIG. 5

(56) **References Cited**

U.S. PATENT DOCUMENTS

D249,938 S	*	10/1978	Shaffer et al.	D10/98
D318,255 S	*	7/1991	Maxwell	D12/192
D372,010 S	*	7/1996	Pfeiffer et al.	D12/192
D375,477 S	*	11/1996	Kulla et al.	D12/192
D381,613 S	*	7/1997	Ma	D12/192
D381,614 S	*	7/1997	Ma	D12/192
D412,146 S	*	7/1999	Sacco et al.	D12/192
D413,294 S	*	8/1999	Lagaay	D12/192
D433,362 S	*	11/2000	Wyszogrod et al.	D12/192
D436,565 S	*	1/2001	Tsay et al.	D12/192

D440,193 S	*	4/2001	Pfeiffer	D12/192
D440,925 S	*	4/2001	Pfeiffer	D12/192
D440,926 S	*	4/2001	Pfeiffer	D12/192
D452,180 S	*	12/2001	Rose	D10/98

* cited by examiner

Primary Examiner—Stacia Cadmus

(74) *Attorney, Agent, or Firm*—Birch, Stewart, Kolasch &
Birch, LLP

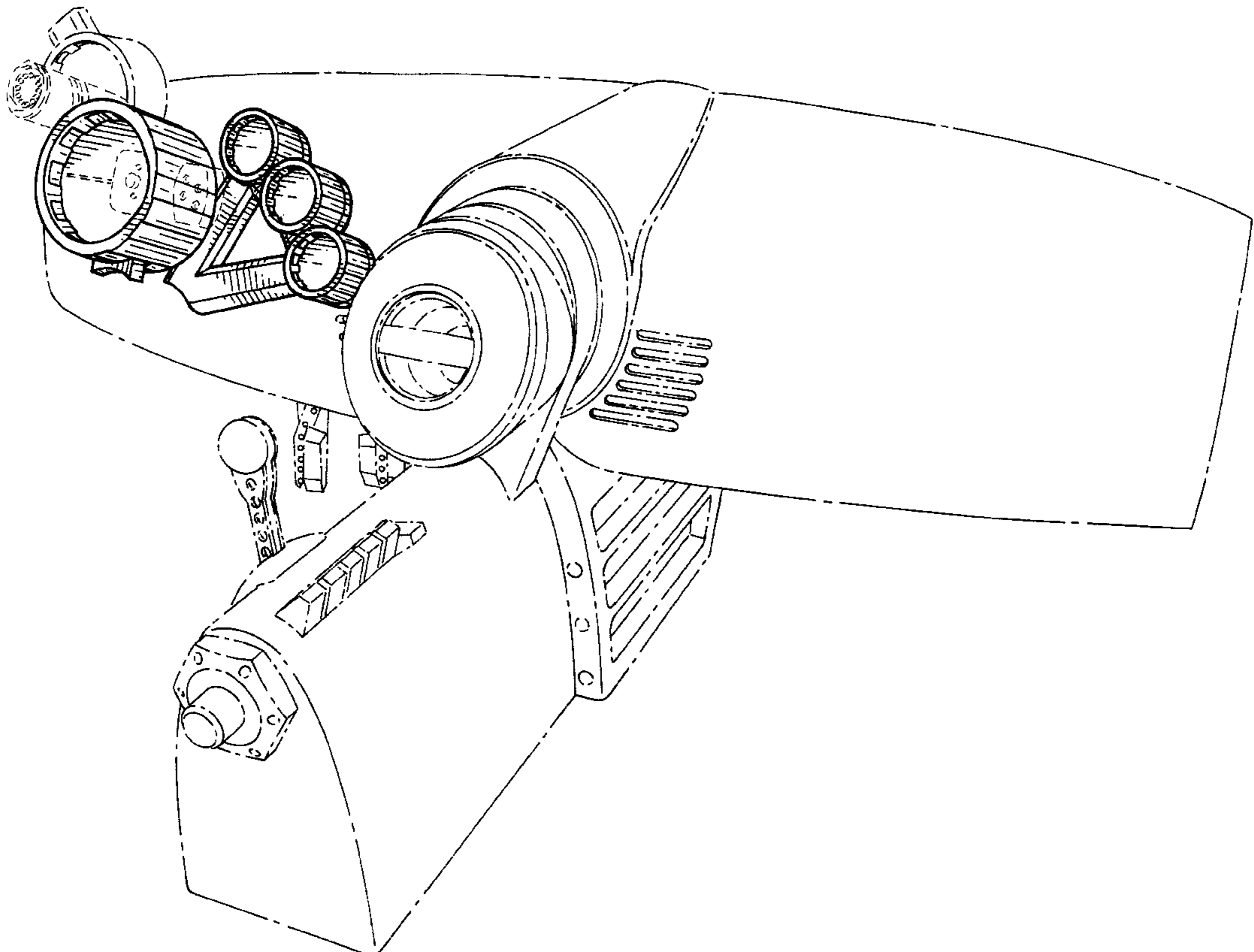
(57) **CLAIM**

The ornamental design for an instrument panel, as shown
and described.

DESCRIPTION

FIG. 1 is a front view of an instrument panel;
 FIG. 2 is a plan view of an instrument panel;
 FIG. 3 is a right side view of an instrument panel;
 FIG. 4 is a left side view of an instrument panel;
 FIG. 5 is a left elevated perspective view of an instrument
 panel;
 FIG. 6 is a left elevated perspective view of an instrument
 panel; and,
 FIG. 7 is a perspective view of an instrument panel in which
 the instrument panel is attached to a dashboard of a vehicle.
 The broken lines showing of environmental structure in
 FIGS. 1-7 of the drawings are for illustrative purposes only
 and form no part of the claimed design.

1 Claim, 4 Drawing Sheets



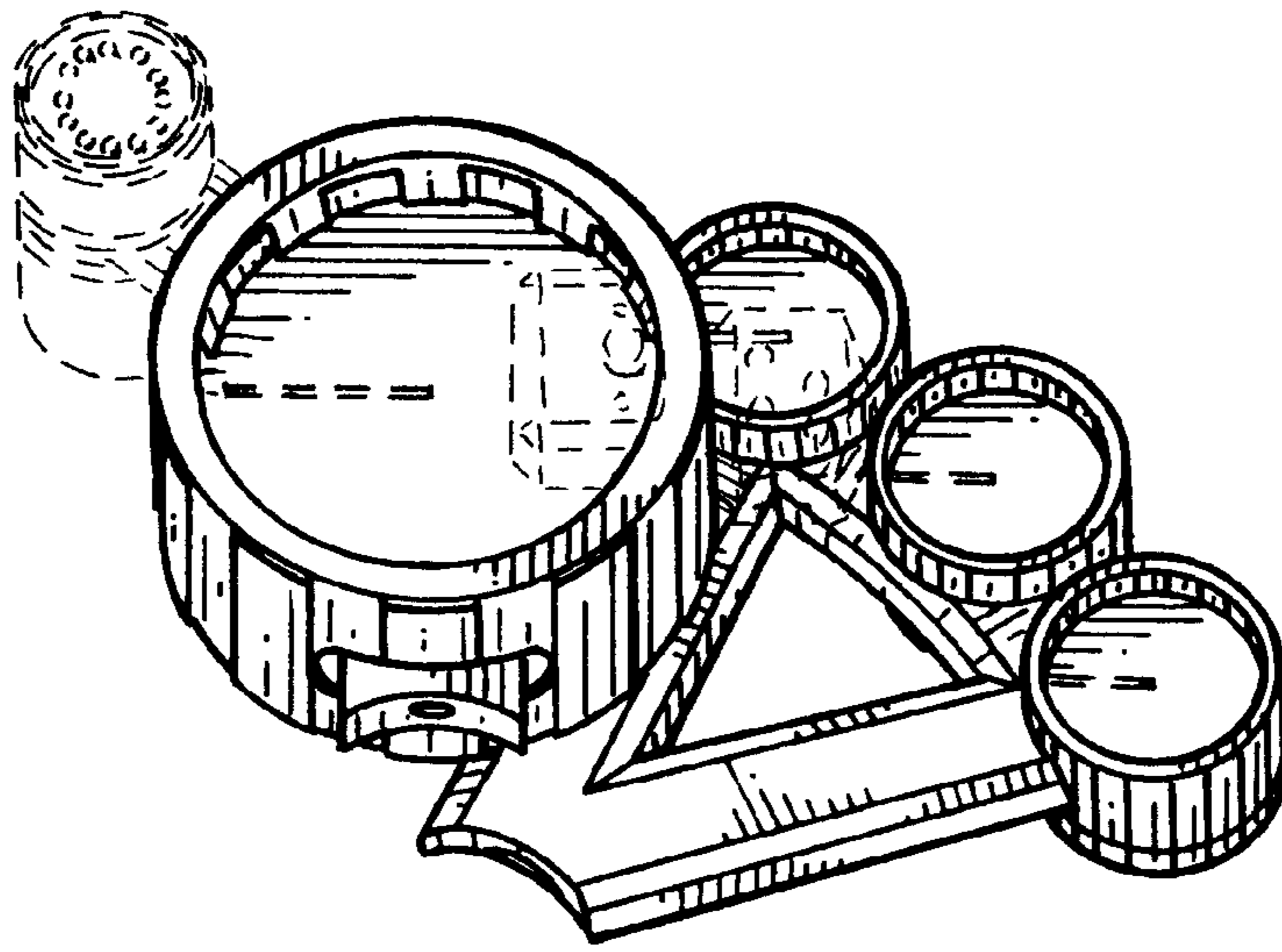


FIG. 1

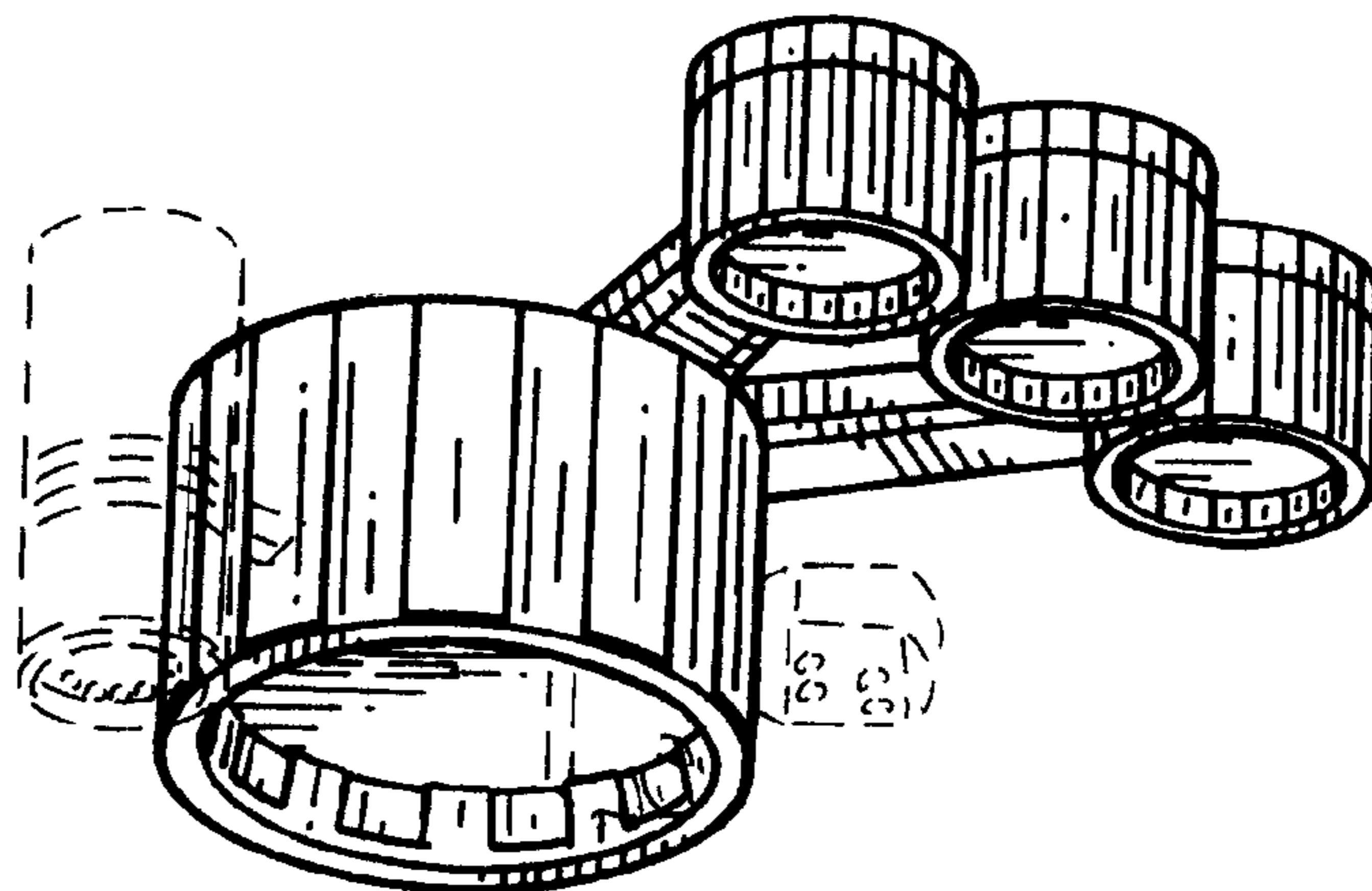


FIG. 2

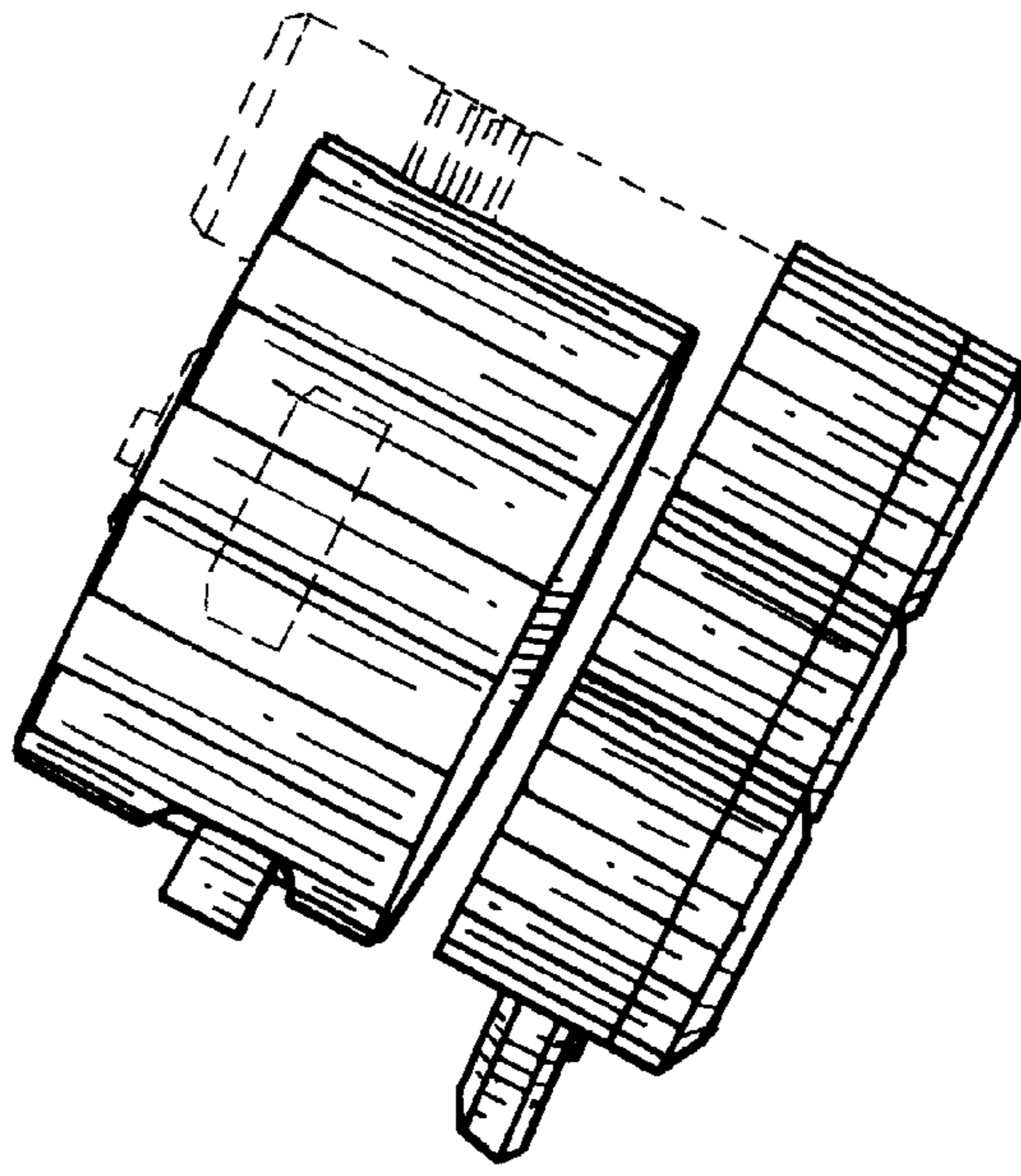


FIG.3

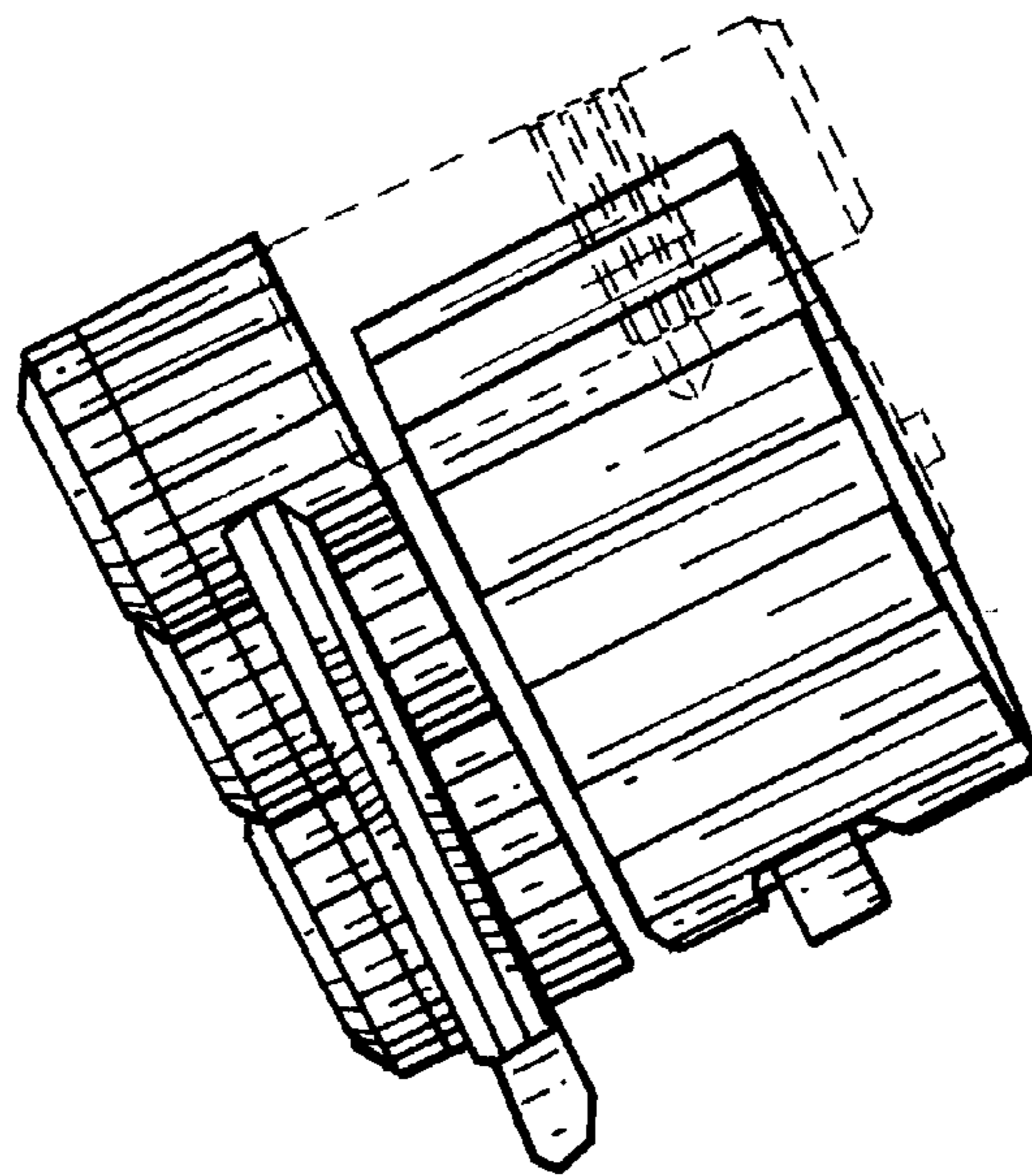


FIG.4

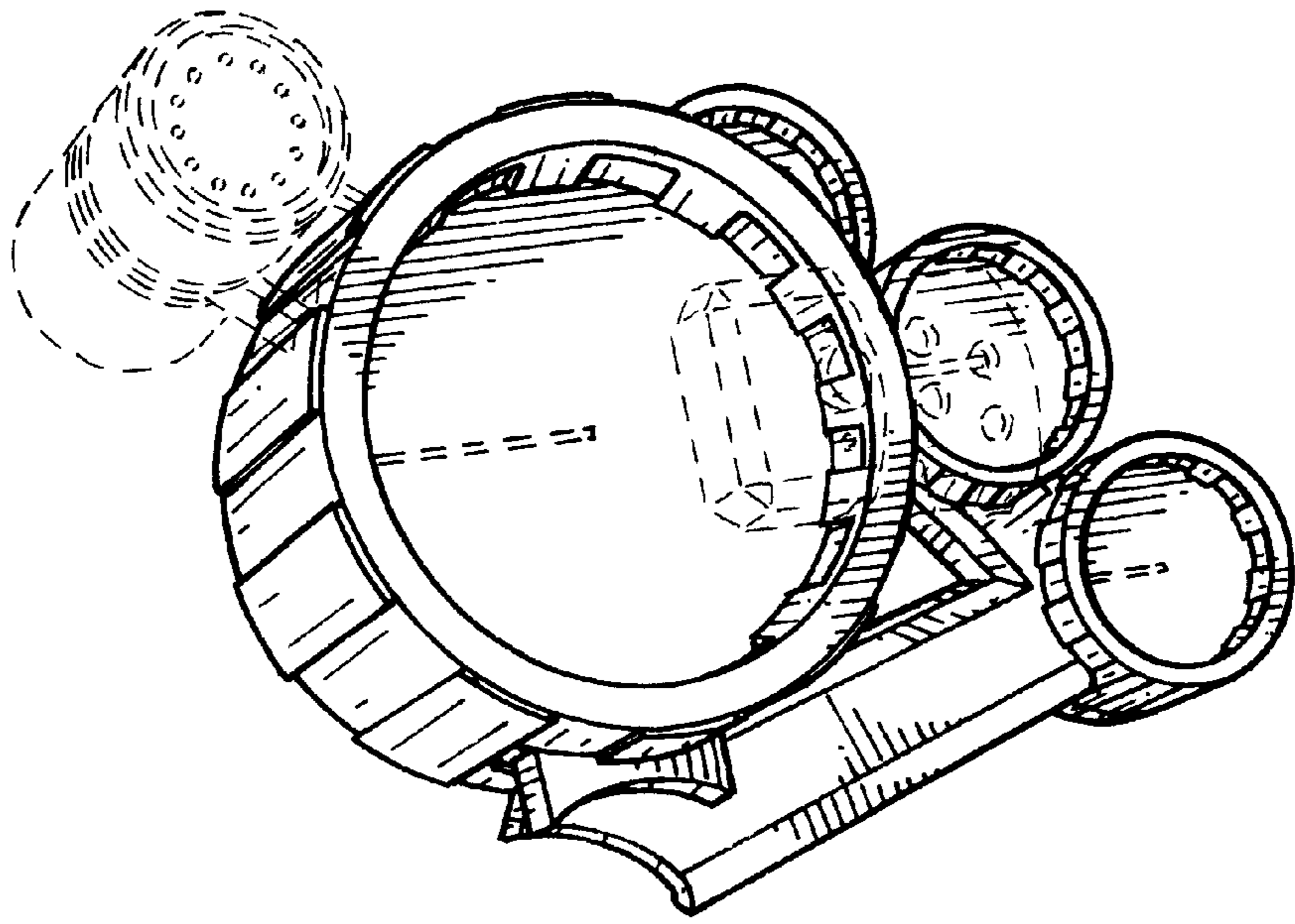


FIG. 5

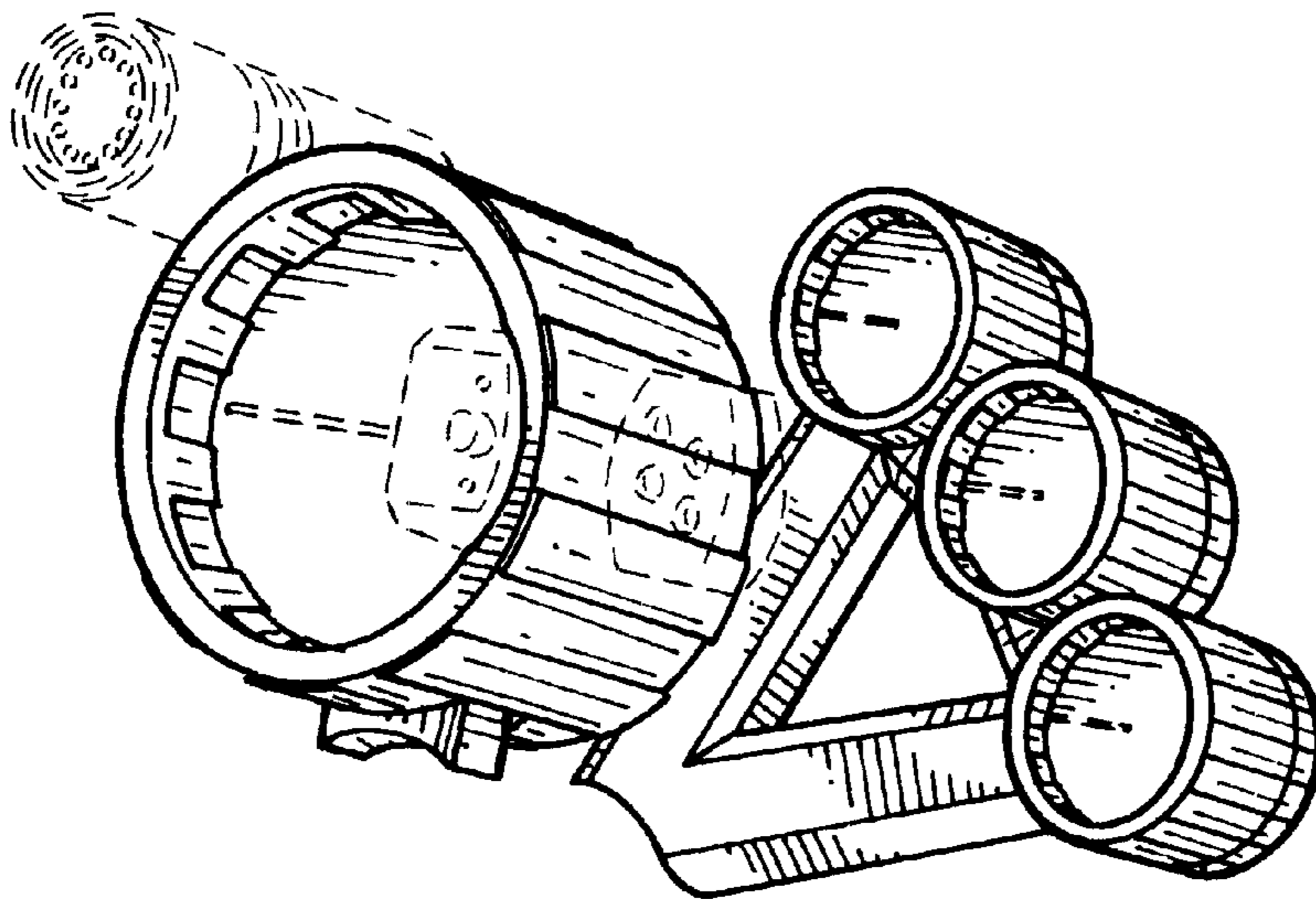


FIG. 6

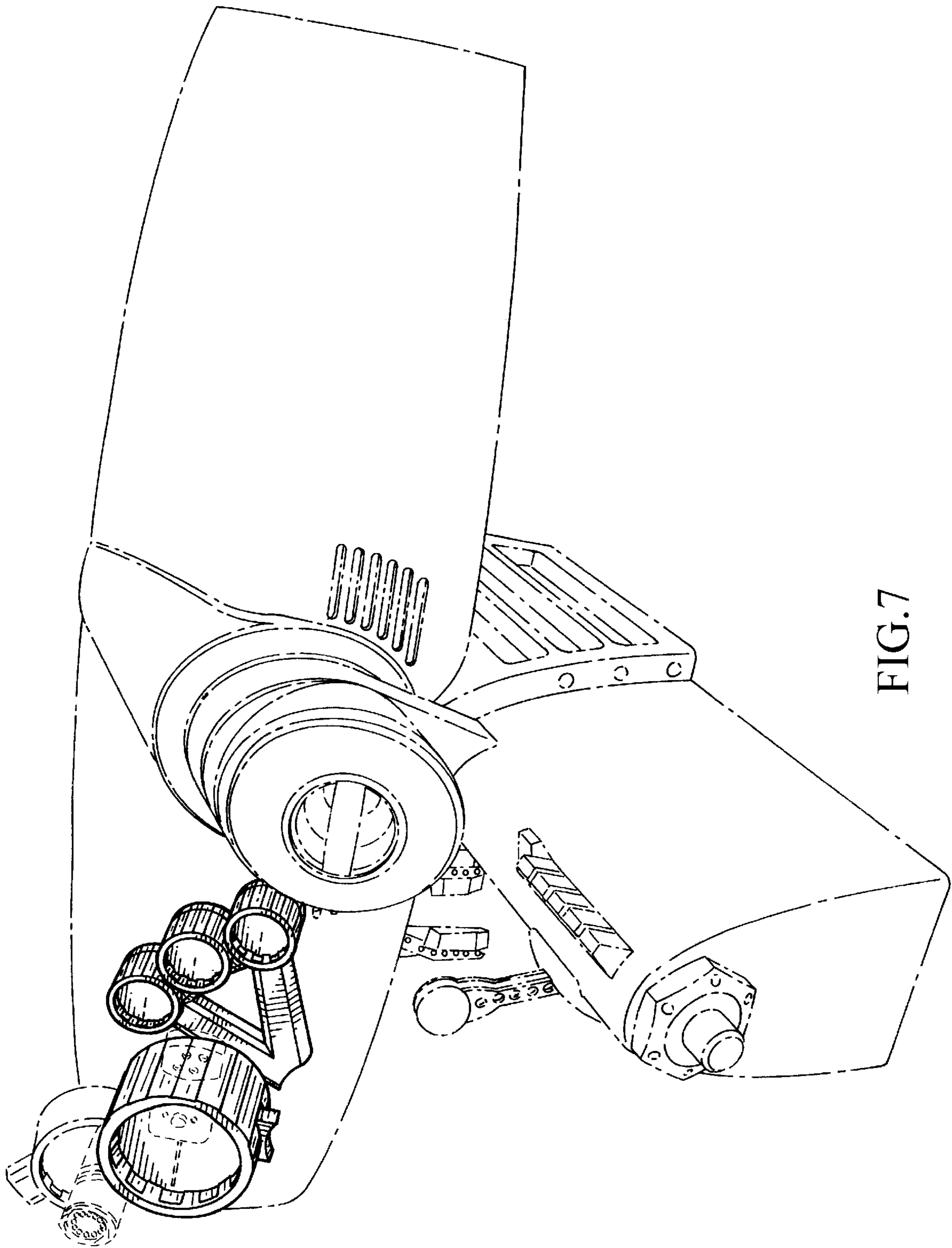


FIG. 7