



US00D467842S

(12) **United States Design Patent**  
**Richardson**

(10) **Patent No.:** **US D467,842 S**

(45) **Date of Patent:** **\*\* Dec. 31, 2002**

(54) **STEP ACCESSORY FOR RECEIVER ASSEMBLY**

(75) **Inventor:** **Gregory D. Richardson**, Romulus, MI (US)

(73) **Assignee:** **Reese Products, Inc.**, Elkhart, IN (US)

(\*\*) **Term:** **14 Years**

(21) **Appl. No.:** **29/149,058**

(22) **Filed:** **Oct. 2, 2001**

(51) **LOC (7) Cl.** ..... **12-16**

(52) **U.S. Cl.** ..... **D12/162**

(58) **Field of Search** ..... D12/162, 400, D12/203; 280/402, 415.1-416.1, 482, 490.1, 493, 495, 491.1-491.5, 500, 501, 505, 509-513, 477, 163-169; 211/14; 182/92, 91; 293/122, 117

(56) **References Cited**

**U.S. PATENT DOCUMENTS**

- D218,203 S \* 7/1970 Vevea ..... D12/203
- D319,204 S \* 8/1991 McGrady ..... D12/162
- D372,447 S \* 8/1996 McCoy et al. .... D12/162
- D372,892 S 8/1996 McCoy et al.

- D381,948 S \* 8/1997 Schult ..... D12/203
- D384,924 S \* 10/1997 Hanson et al. .... D12/162
- 5,738,362 A 4/1998 Ludwick
- D424,990 S 5/2000 McCoy et al.
- D424,991 S \* 5/2000 Young et al. .... D12/162
- D451,060 S 11/2001 McCoy et al.

\* cited by examiner

*Primary Examiner*—Stacia Cadmus

(74) *Attorney, Agent, or Firm*—King & Schickli, PLLC

(57) **CLAIM**

The ornamental design of a step accessory for receiver assembly, as shown and described.

**DESCRIPTION**

FIG. 1 is a perspective view showing the step accessory for receiver assembly of the present invention with a rubber bumper;

FIG. 2 is a rear elevational view thereof;

FIG. 3 is a left side elevational view, the right side elevational view being a mirror image thereof;

FIG. 4 is a top plan view thereof; and,

FIG. 5 is a bottom plan view thereof.

The broken line showing of environment is for illustrative purposes only and forms no part of the claimed design.

**1 Claim, 3 Drawing Sheets**

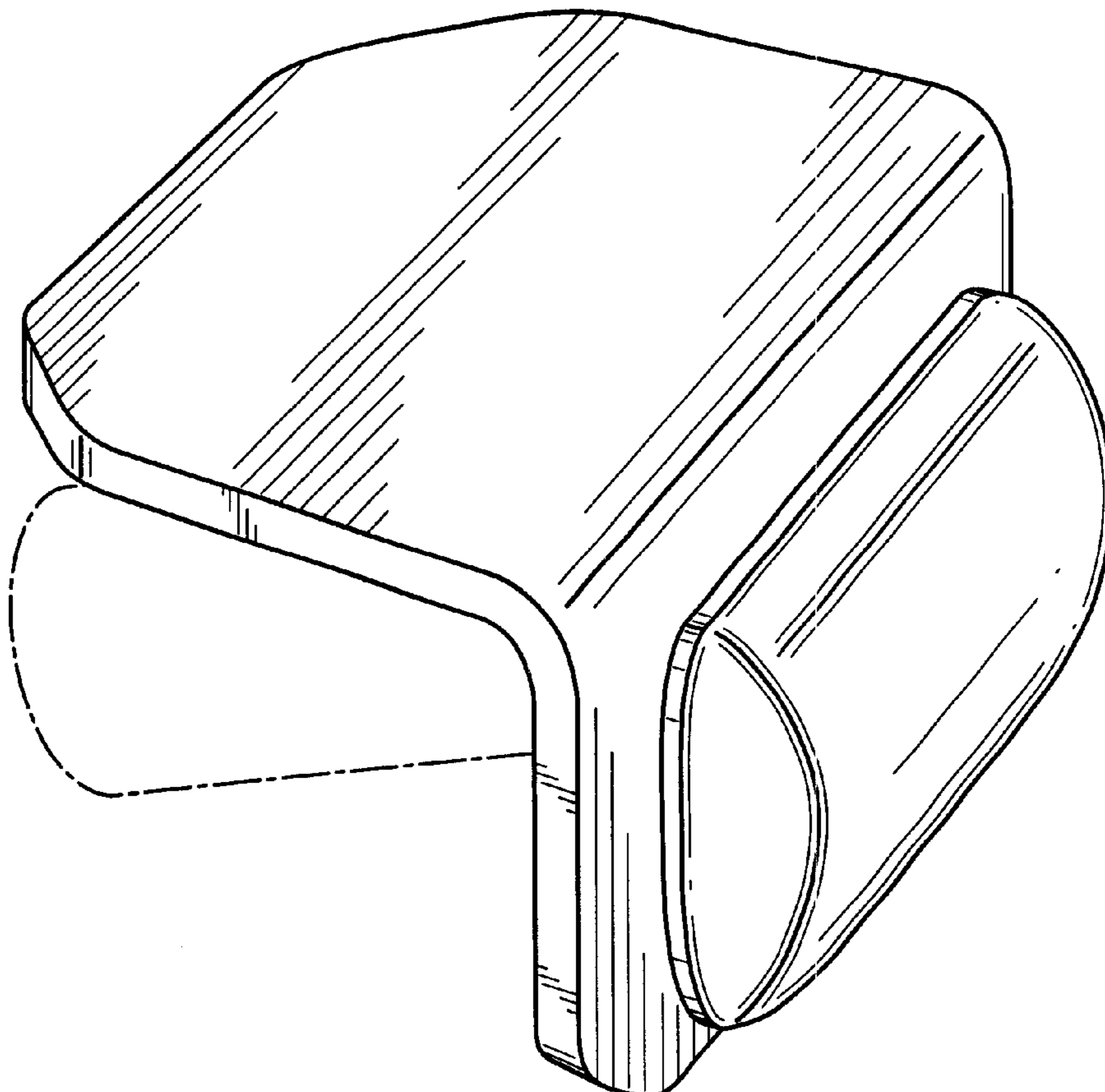


FIG. 1

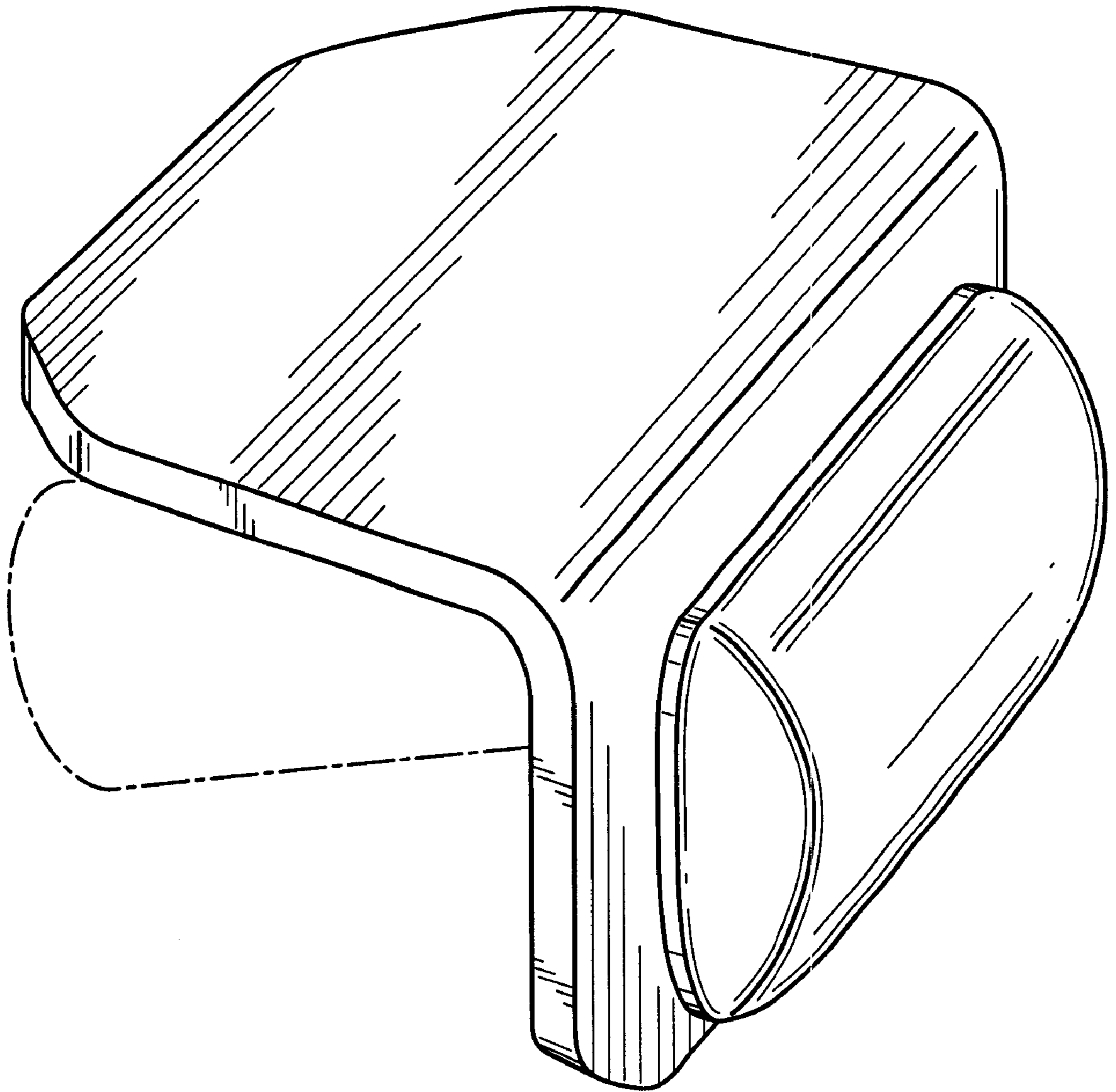


FIG. 2

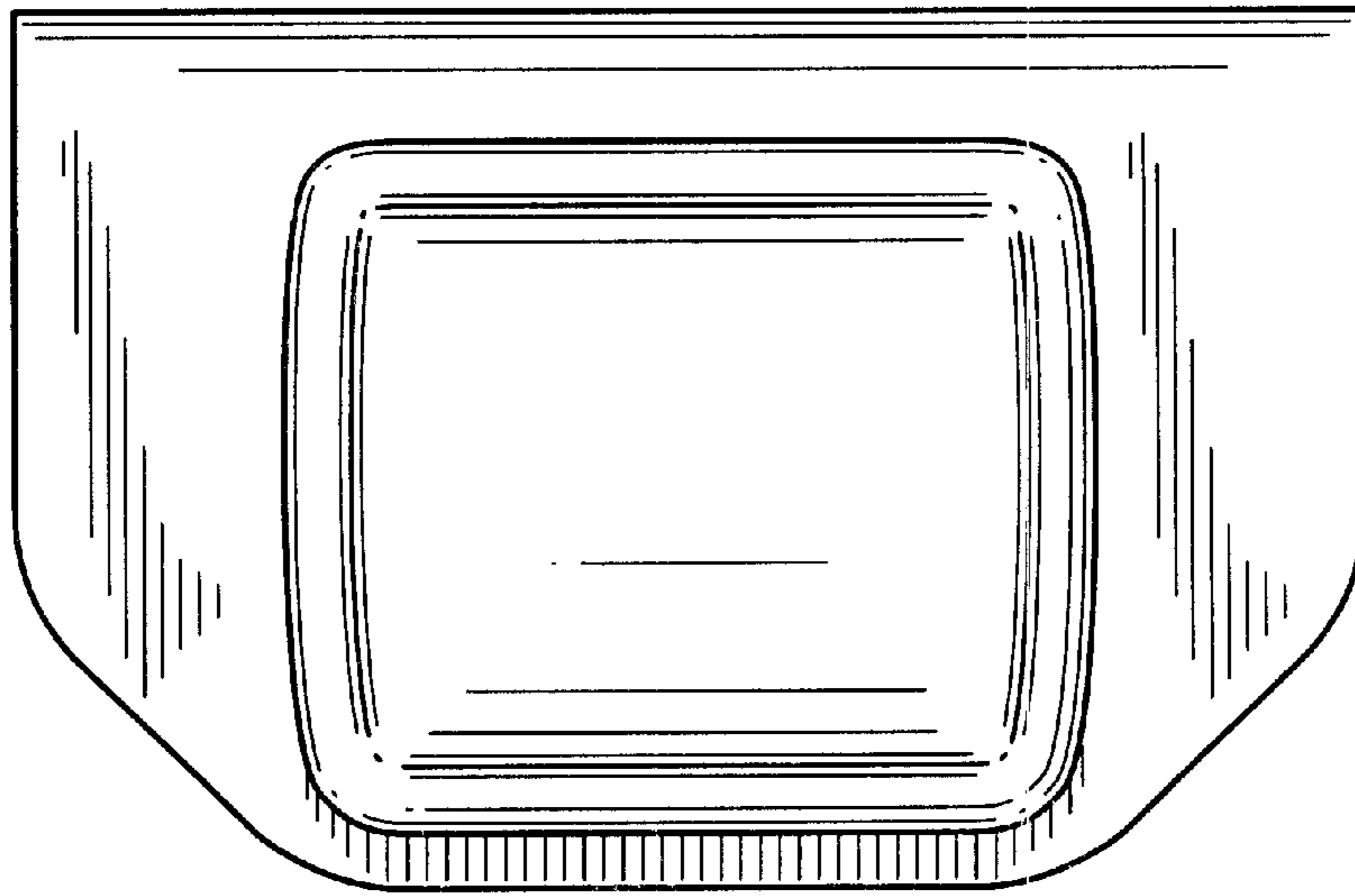


FIG. 3

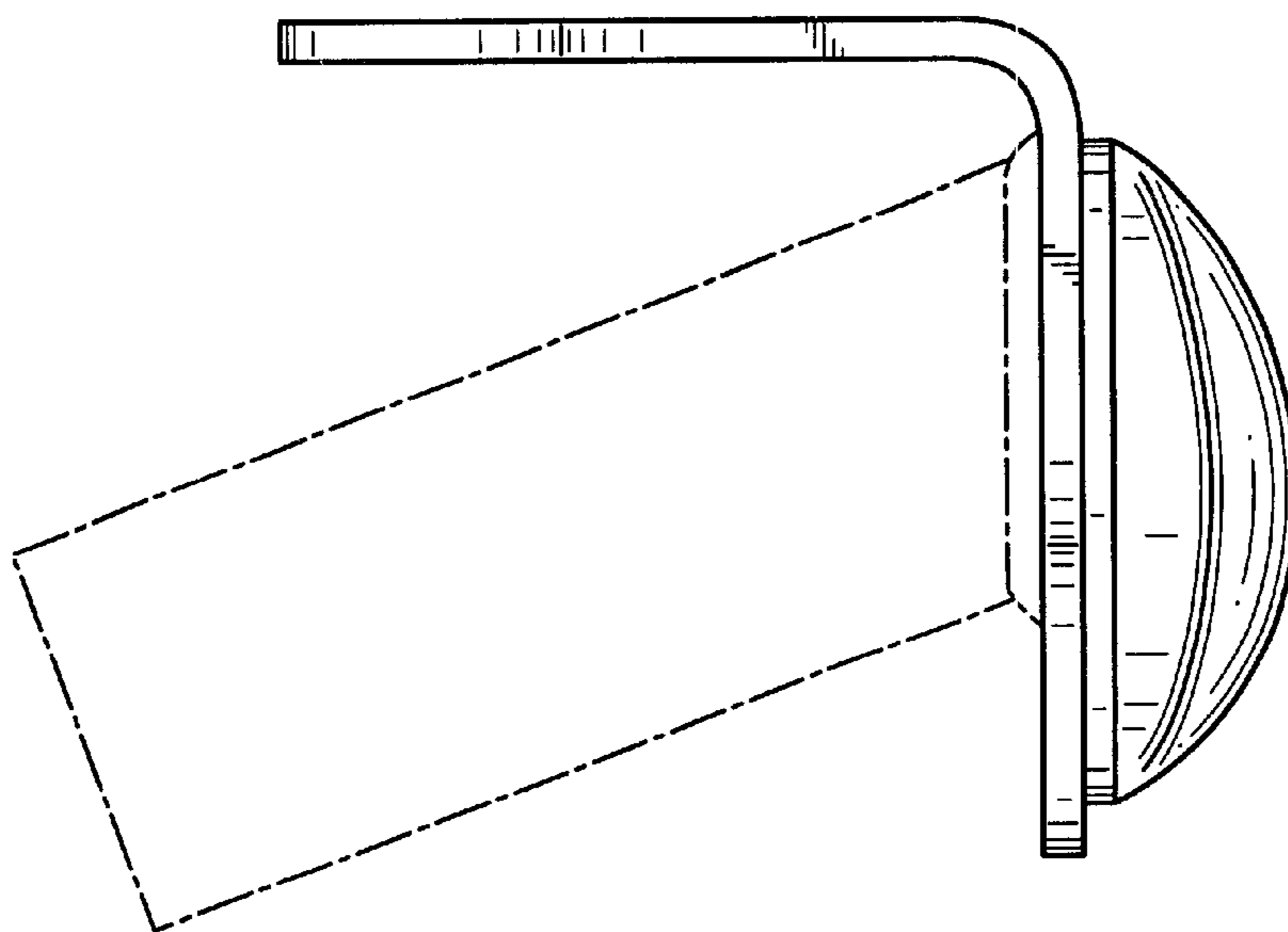


FIG. 4

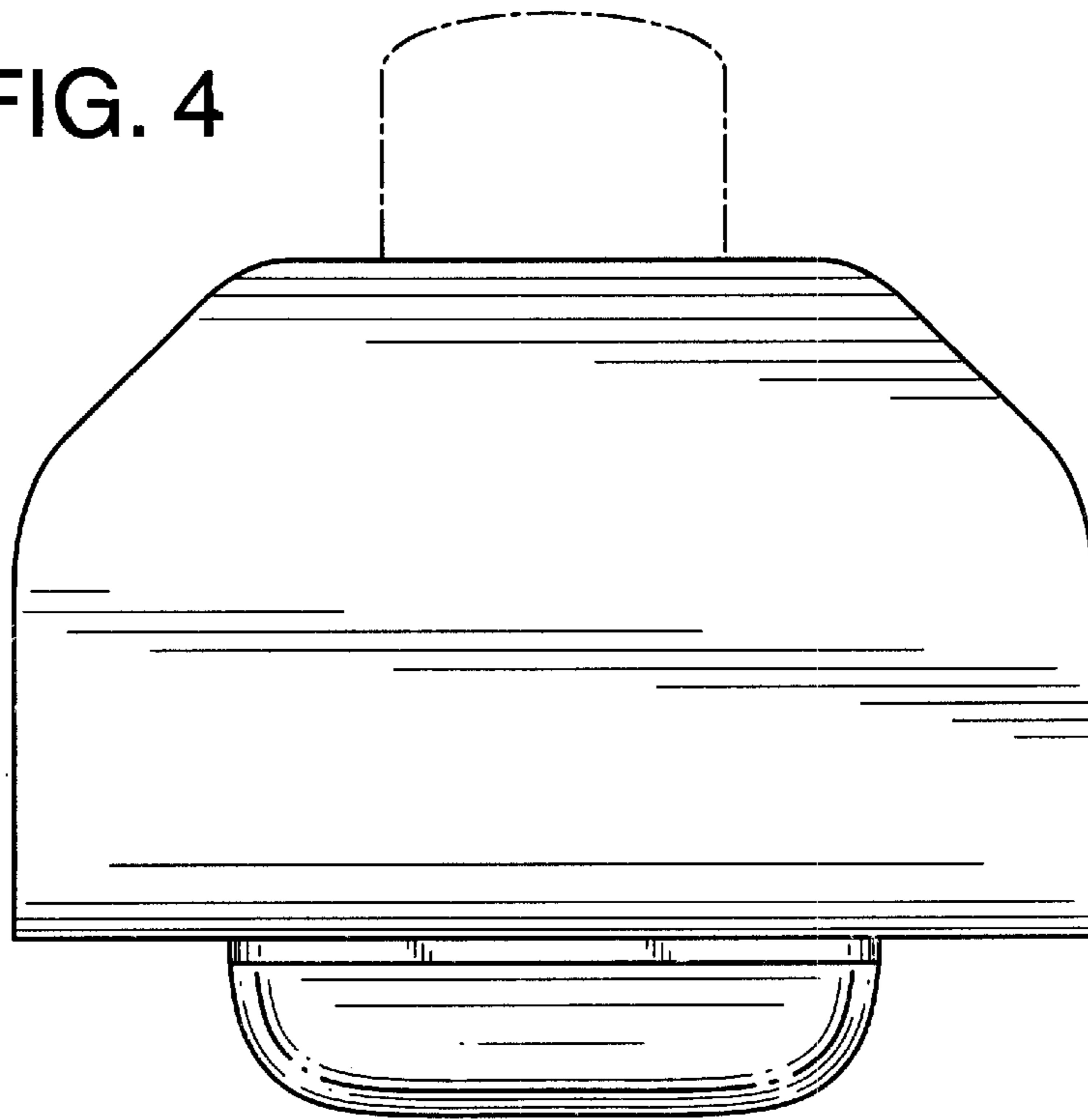


FIG. 5

