



US00D467841S

(12) **United States Design Patent**
Klein

(10) **Patent No.:** **US D467,841 S**

(45) **Date of Patent:** **** Dec. 31, 2002**

(54) **TRANSPORTABLE TRAPEZOIDAL STORAGE TANK**

D384,913 S 10/1997 Norman, Jr. et al.
D441,692 S 5/2001 Niblett et al.

(76) Inventor: **Richard F. Klein**, 816 S. Cucamonga Ave., Ontario, CA (US) 91761

* cited by examiner

(**) Term: **14 Years**

Primary Examiner—Melody N. Brown
(74) *Attorney, Agent, or Firm*—Lewis M Brande; Thomas A McCleary; Brande & McCleary

(21) Appl. No.: **29/156,296**

(57) **CLAIM**

(22) Filed: **Feb. 25, 2002**

The ornamental design for a transportable trapezoidal storage tank, as shown and described.

(51) **LOC (7) Cl.** **12-08**

(52) **U.S. Cl.** **D12/95**

(58) **Field of Search** D12/95, 97, 410, D12/218, 423; D23/202; 280/837, 839; 220/1.5, 71, 72, 220; 296/181, 183; 52/169.6

DESCRIPTION

(56) **References Cited**

U.S. PATENT DOCUMENTS

4,241,578 A	12/1980	Keene	
D264,458 S	* 5/1982	Vetter	D12/410
4,406,471 A	9/1983	Holloway	
D279,369 S	* 6/1985	Van Vlandren	D12/410
4,796,676 A	1/1989	Hendershot et al.	
4,869,033 A	9/1989	Duviesuart et al.	
D312,432 S	* 11/1990	Lewis	D12/423
5,305,904 A	4/1994	Cutts	
D346,572 S	* 5/1994	Honey	D12/410
D348,304 S	6/1994	Norman, Jr. et al.	
D378,671 S	* 4/1997	Herr	D12/423
D378,810 S	4/1997	Norman, Jr. et al.	
D379,948 S	6/1997	Wade	

FIG. 1 is a left side perspective view of a transportable trapezoidal storage tank, the truck shown in broken lines are for illustrative purposes only and form no part of the claimed design;

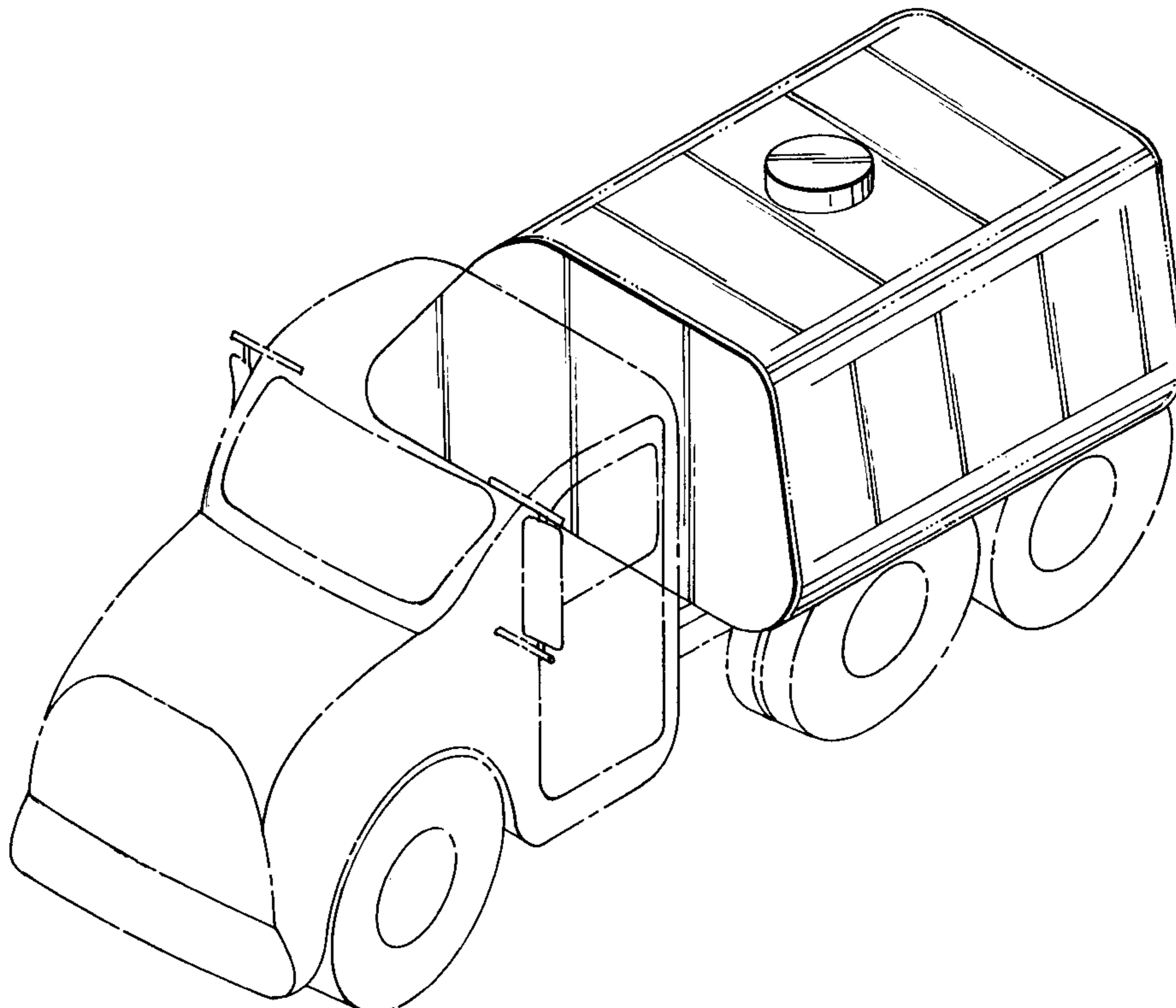
FIG. 2 is a top view of the transportable fluid storage tank of the present invention;

FIG. 3 is a rear view of the transportable fluid storage tank of the present invention, showing the trapezoidal shape of the present invention and the addition of a rectangular sump on the bottom of the tank;

FIG. 4 is a left side view of the transportable fluid storage tank of the present invention; and showing the sump positioned on the bottom of the trapezoidal tank; and,

FIG. 5 is a view looking up at the bottom of the transportable fluid storage tank, showing the location of the rectangular sump, of the present invention.

1 Claim, 3 Drawing Sheets



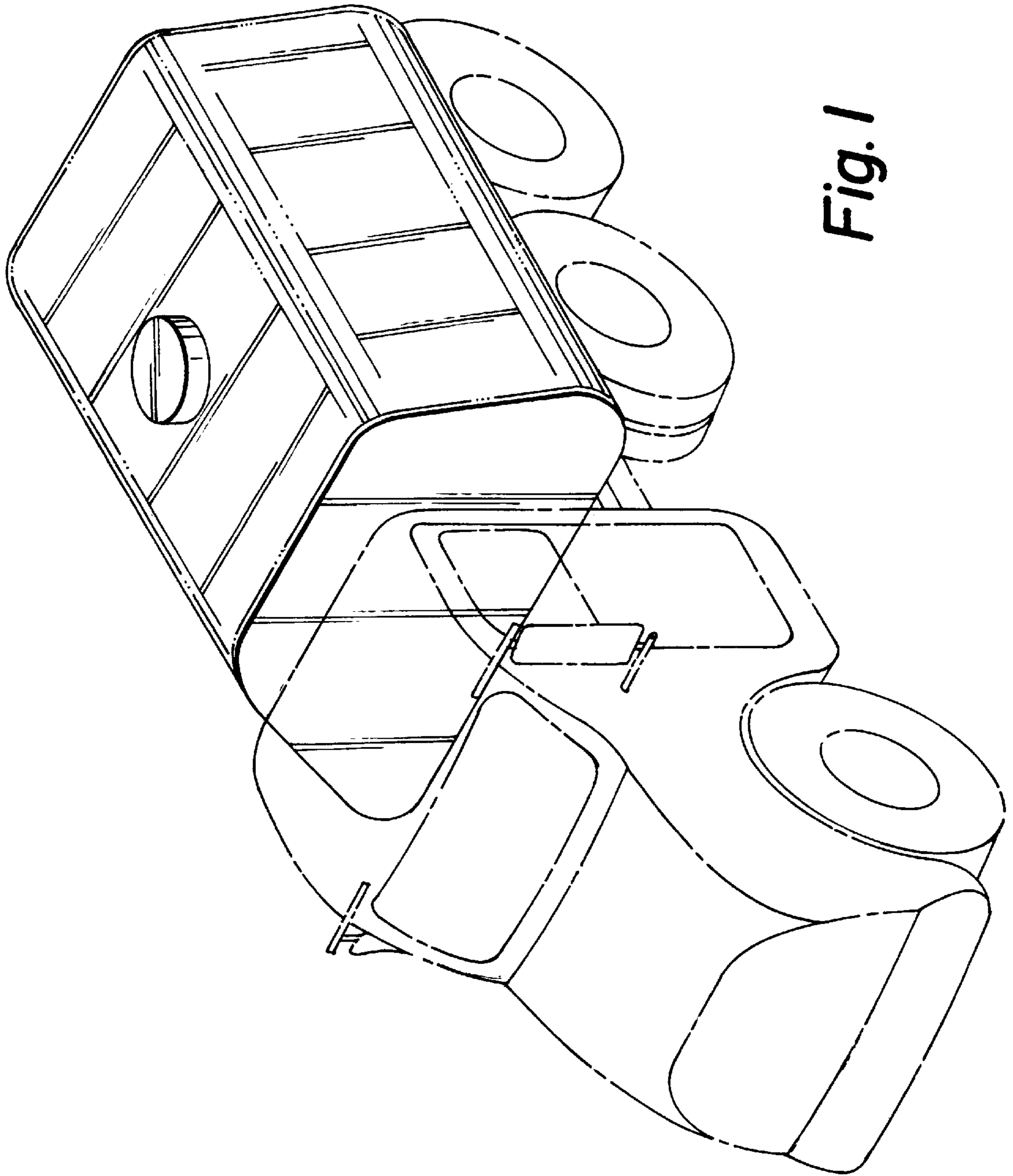


Fig. 1

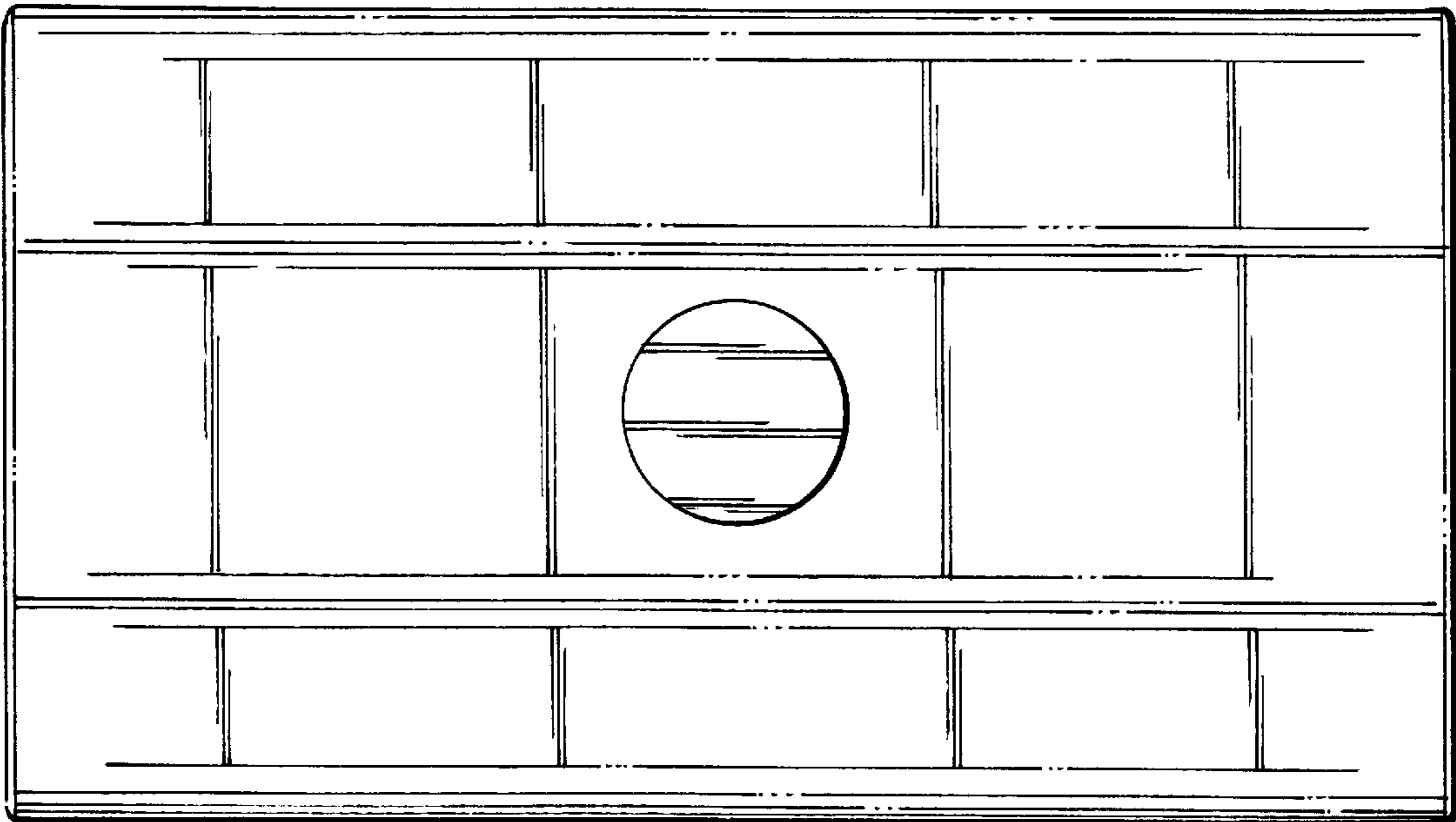


Fig. 2

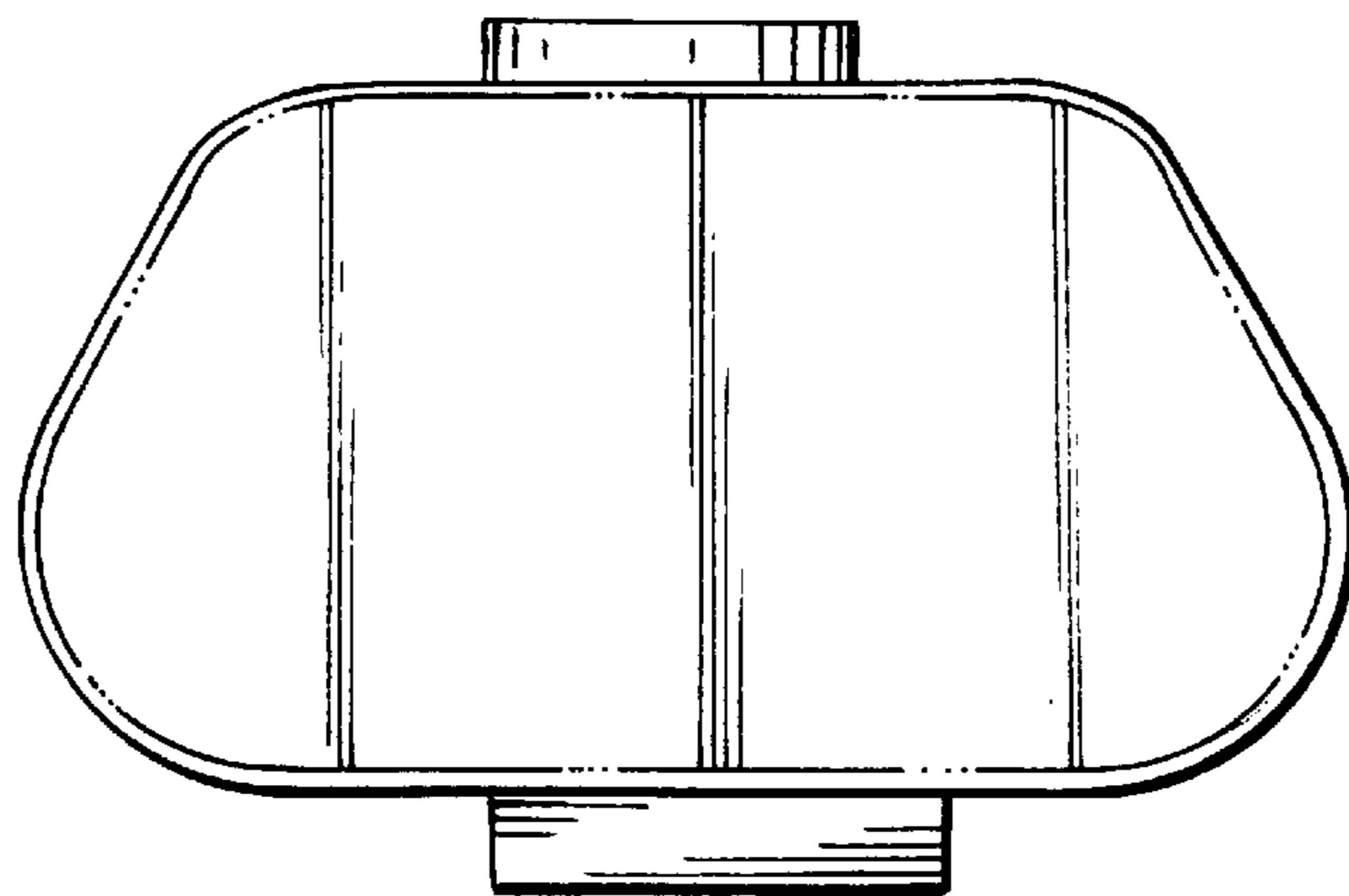


Fig. 3

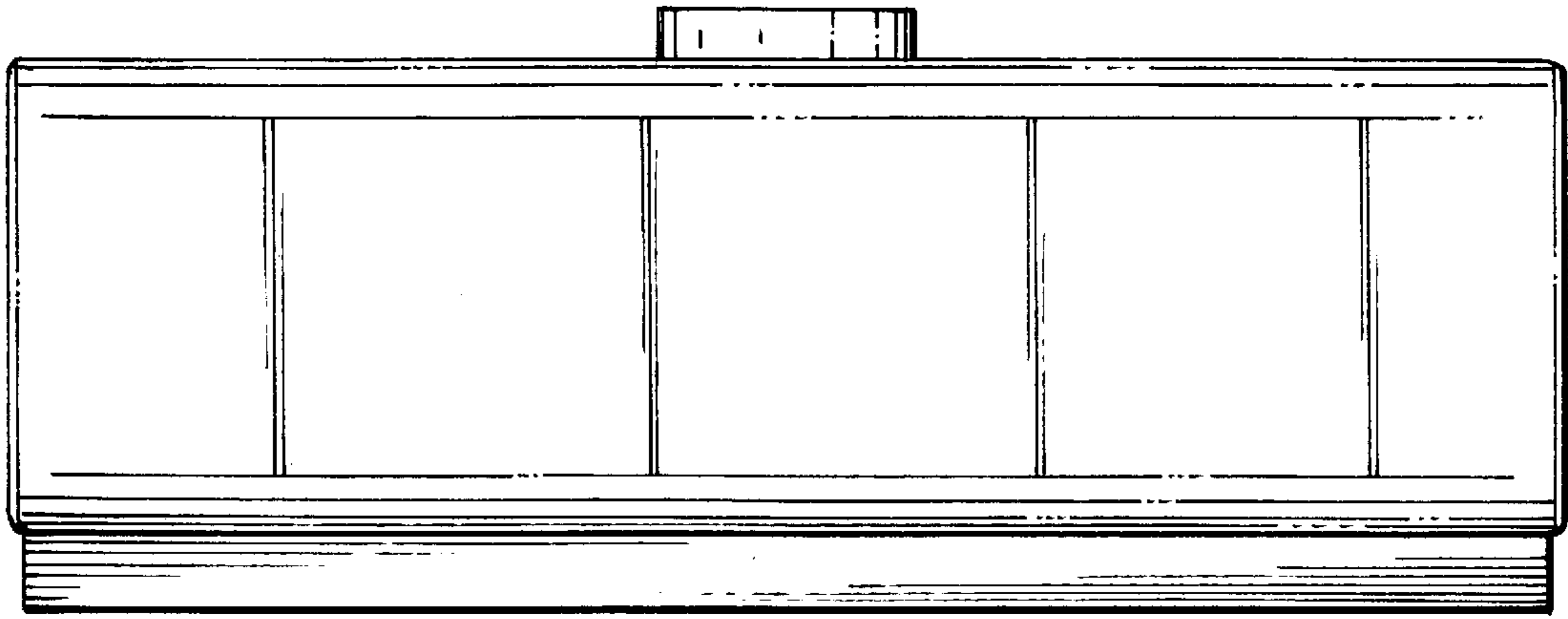


Fig. 4

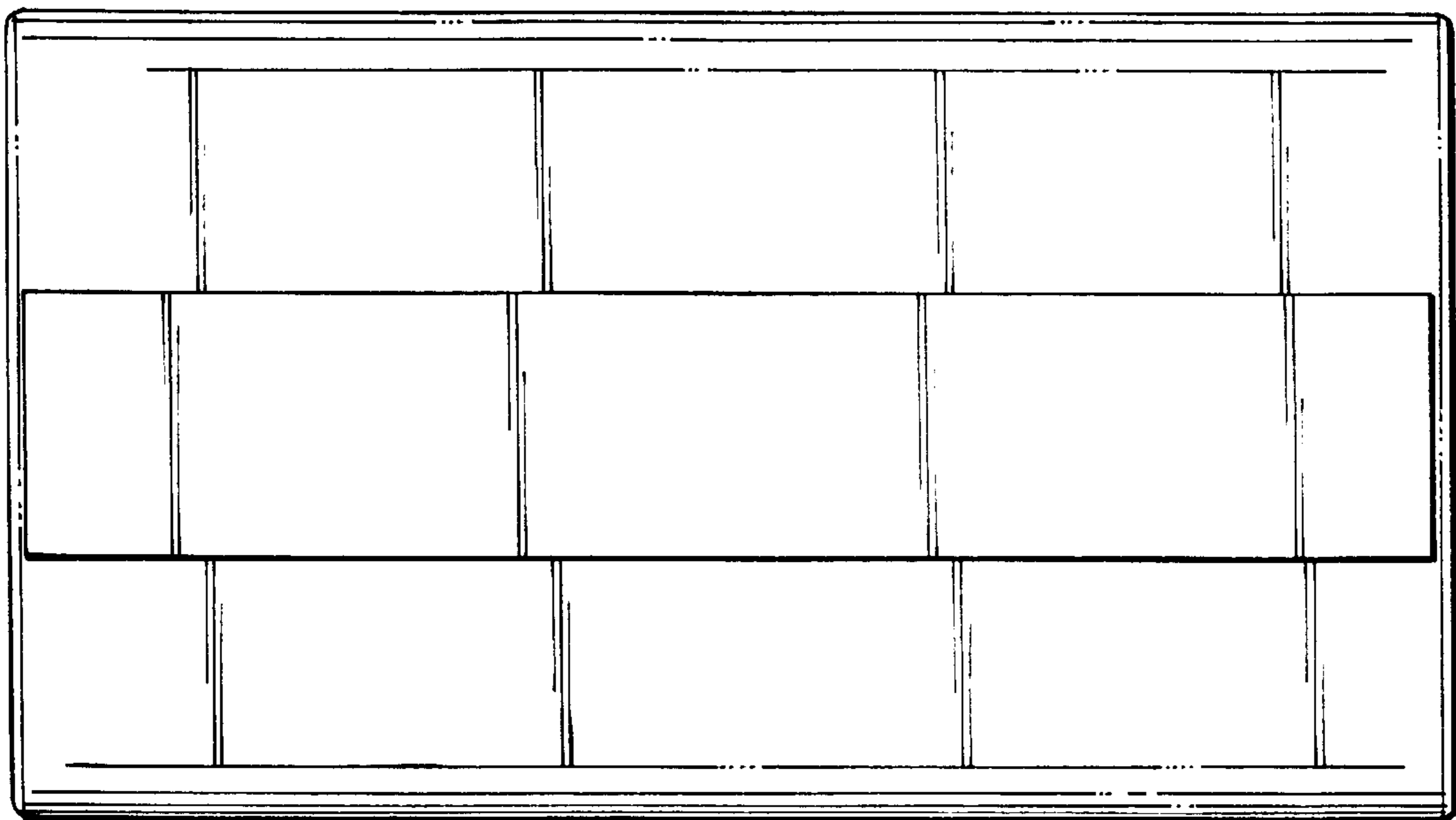


Fig. 5