



US00D467839S

(12) **United States Design Patent**
Bruns et al.

(10) **Patent No.:** **US D467,839 S**

(45) **Date of Patent:** **** Dec. 31, 2002**

(54) **SNOWMOBILE SKI HANDLE**

Primary Examiner—Nelson C. Holtje

(76) Inventors: **Mark W. Bruns**, 120 Eastgate Dr. SE.,
Hutchinson, MN (US) 55350; **Steven A.
Bruns**, 120 Eastgate Dr. SE.,
Hutchinson, MN (US) 55350

(57) **CLAIM**

The ornamental design of a snowmobile ski handle, as shown and described.

(**) Term: **14 Years**

DESCRIPTION

(21) Appl. No.: **29/141,938**

FIG. 1 is a perspective view of a snowmobile ski handle of our new design;

(22) Filed: **May 17, 2001**

FIG. 2 is a side elevational view thereof, the opposite side being a mirror image thereof;

(51) **LOC (7) Cl.** **12-14**

FIG. 3 is a top plan view thereof;

(52) **U.S. Cl.** **D12/7; D12/10**

FIG. 4 is a bottom plan view thereof;

(58) **Field of Search** D12/6-7, 9-11;
D21/760, 766-767, 769; 180/182, 184,
186, 190; 280/25-28, 16, 21.1, 22, 602,
809, 845

FIG. 5 is an end elevational view of the right end thereof;

FIG. 6 is an end elevational view of the left end thereof;

FIG. 7 is a sectional view taken along line 7-7 of FIG. 2;

FIG. 8 is a perspective view of a first modification of the snowmobile ski handle of FIG. 1;

(56) **References Cited**

U.S. PATENT DOCUMENTS

3,268,742	A	*	8/1966	Pinckaers	280/606
3,623,564	A	*	11/1971	Higginbotham	280/25
3,765,695	A		10/1973	McGregor		
3,854,541	A		12/1974	Hollnagel		
3,867,991	A		2/1975	Brandli		
3,899,036	A	*	8/1975	Hollnagel	280/26
3,967,692	A		7/1976	Hoffmann		
4,025,082	A	*	5/1977	Lummus	280/14.2
4,291,892	A	*	9/1981	Berthold et al.	280/28
4,595,211	A		6/1986	Fitzpatrick		
5,145,201	A		9/1992	Metheny		
5,165,709	A		11/1992	Jacques		
5,360,220	A	*	11/1994	Simmons	280/28
5,700,020	A		12/1997	Noble		
5,836,594	A		11/1998	Simmons		
6,039,136	A	*	3/2000	Kanan	180/182
6,086,101	A		7/2000	Cormican		
6,378,889	B1	*	4/2002	Moriyama et al.	280/609

FIG. 9 is a side elevational view of FIG. 8, the opposite side being a mirror image thereof;

FIG. 10 is a top plan view of FIG. 8;

FIG. 11 is a bottom plan view of FIG. 8;

FIG. 12 is an end elevational view of the right end of FIG. 8;

FIG. 13 is an end elevational view of the left end of FIG. 8;

FIG. 14 is a sectional view taken along line 14-14 of FIG. 9;

FIG. 15 is a perspective view of a second modification of the snowmobile ski handle of FIG. 1;

FIG. 16 is a side elevational view of FIG. 15, the opposite side being a mirror image thereof;

FIG. 17 is a top plan view of FIG. 15;

FIG. 18 is a bottom plan view of FIG. 15;

FIG. 19 is an end elevational view of the right end of FIG. 15;

FIG. 20 is an end elevational view of the left end of FIG. 15; and,

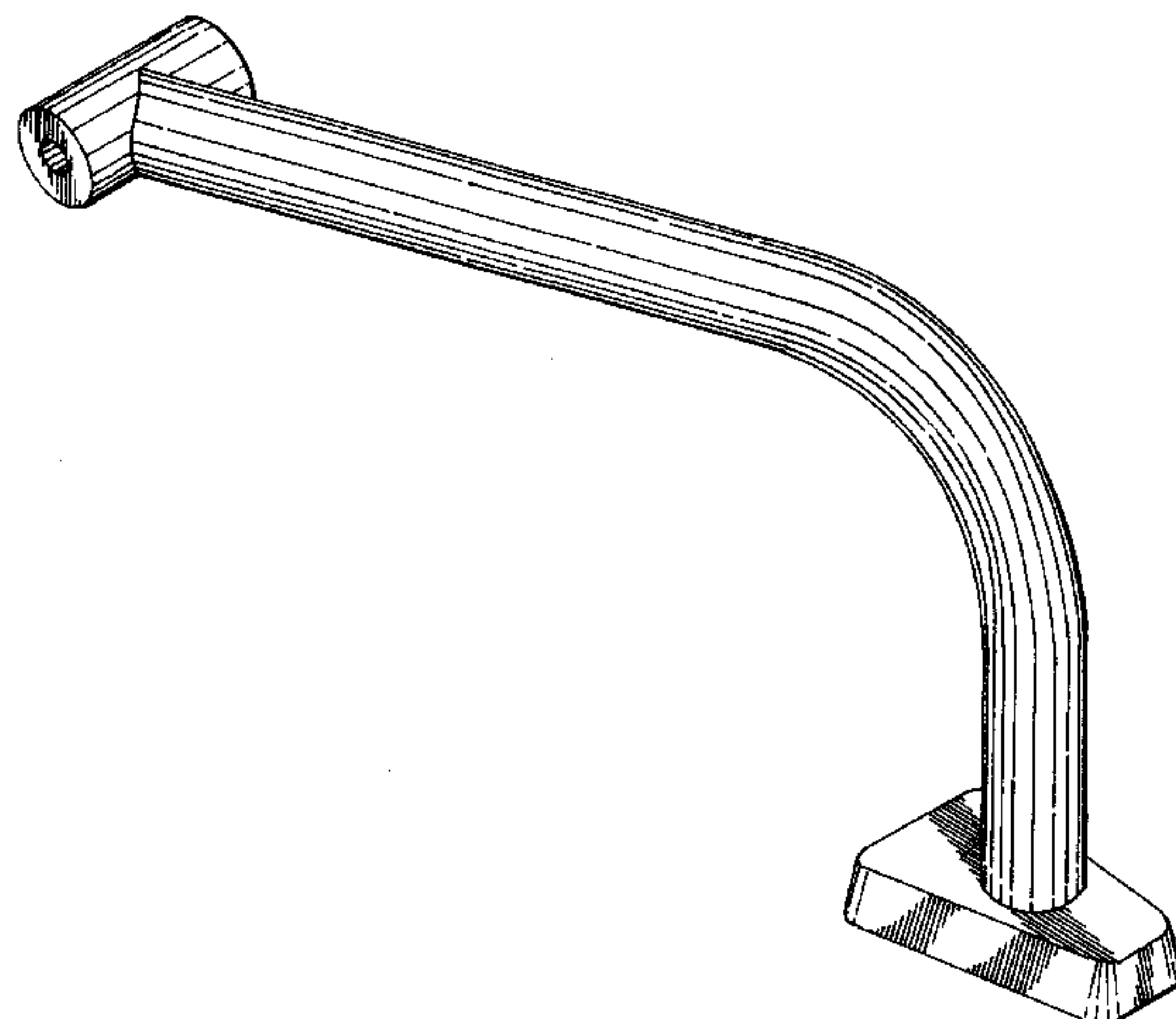
FIG. 21 is a sectional view taken along line 21-21 of FIG. 16.

OTHER PUBLICATIONS

U.S. patent application Publication No. US 2001/0013687, Aug. 16, 2001.

* cited by examiner

1 Claim, 6 Drawing Sheets



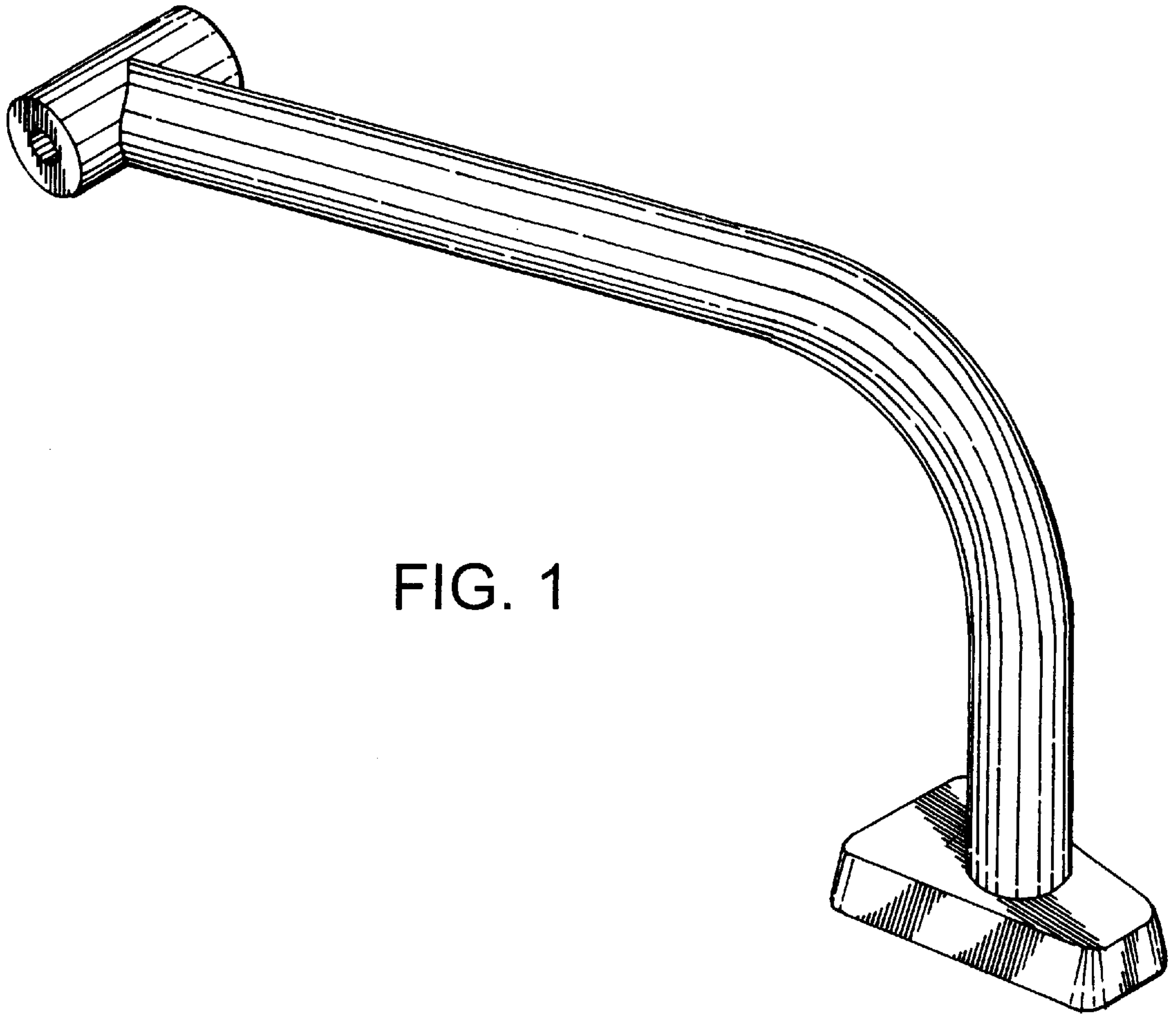


FIG. 1

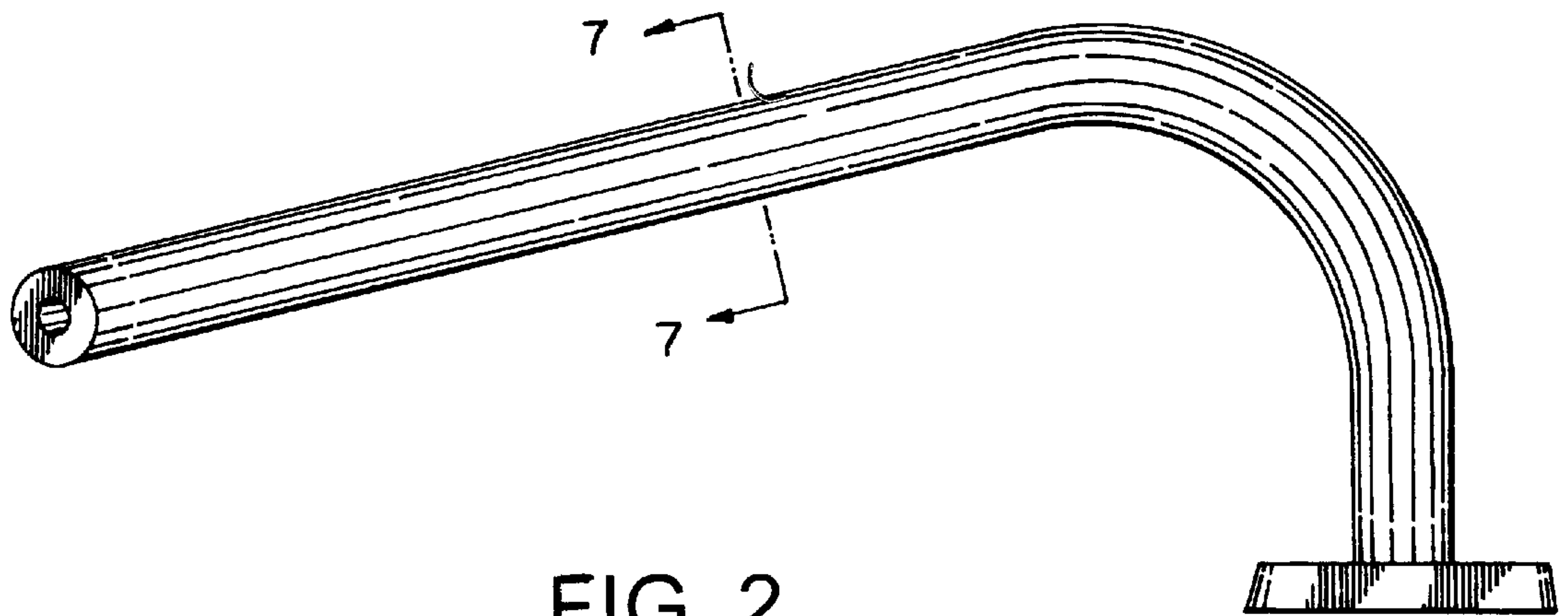


FIG. 2

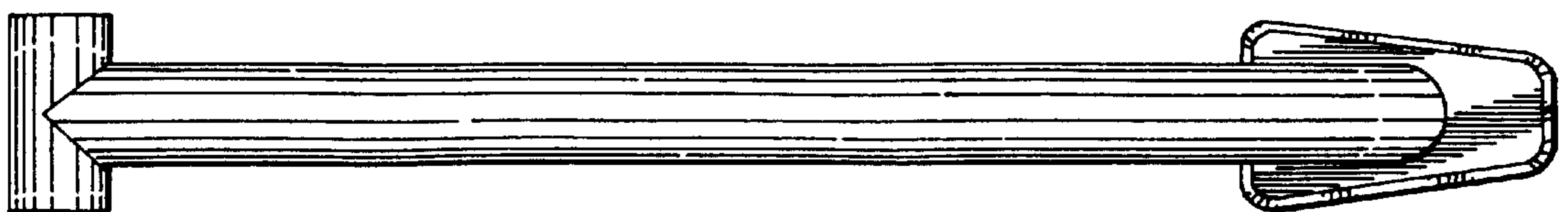


FIG. 3

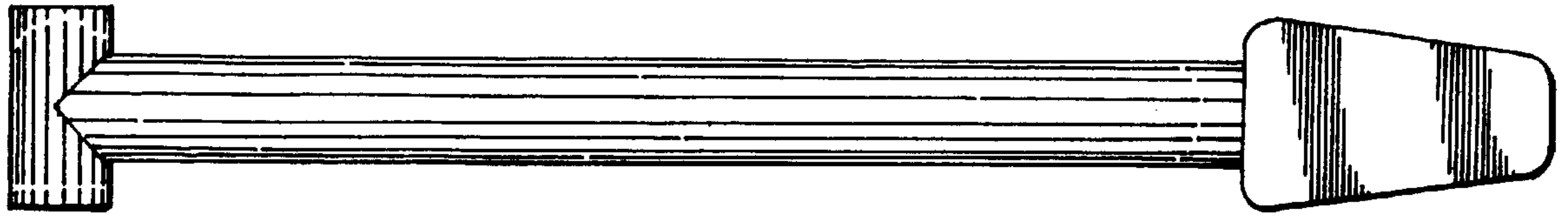


FIG. 4

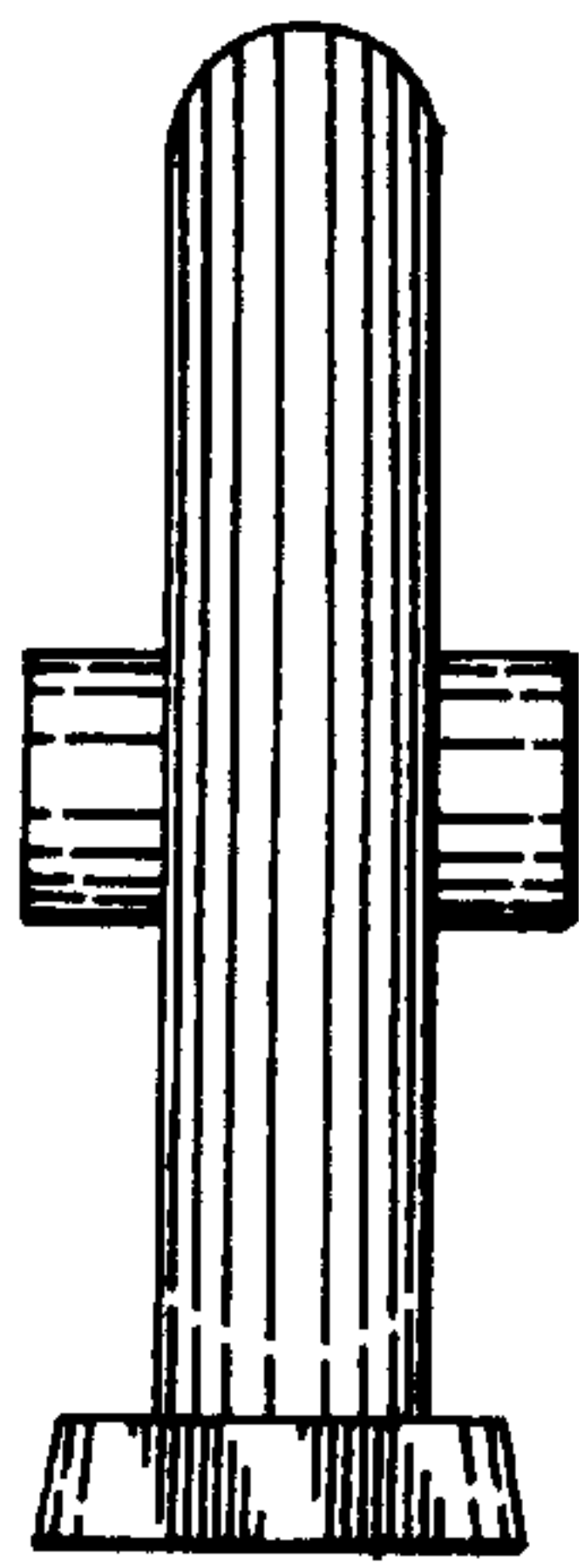


FIG. 5

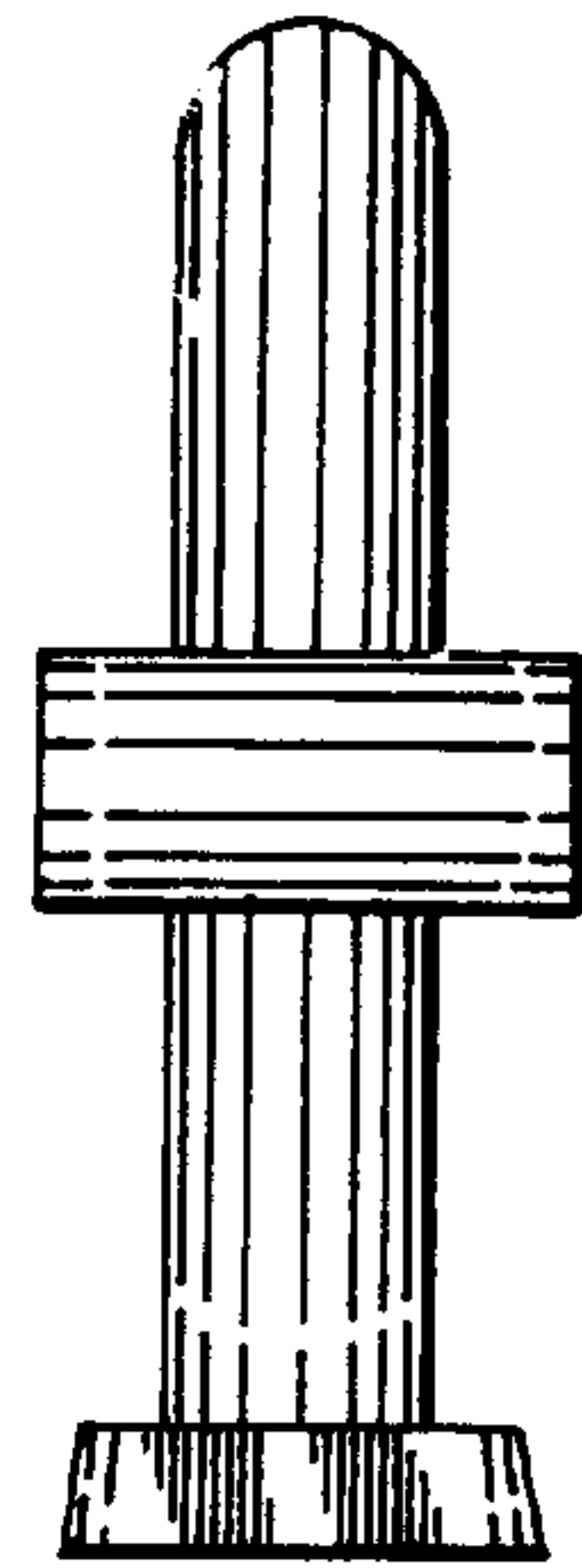


FIG. 6

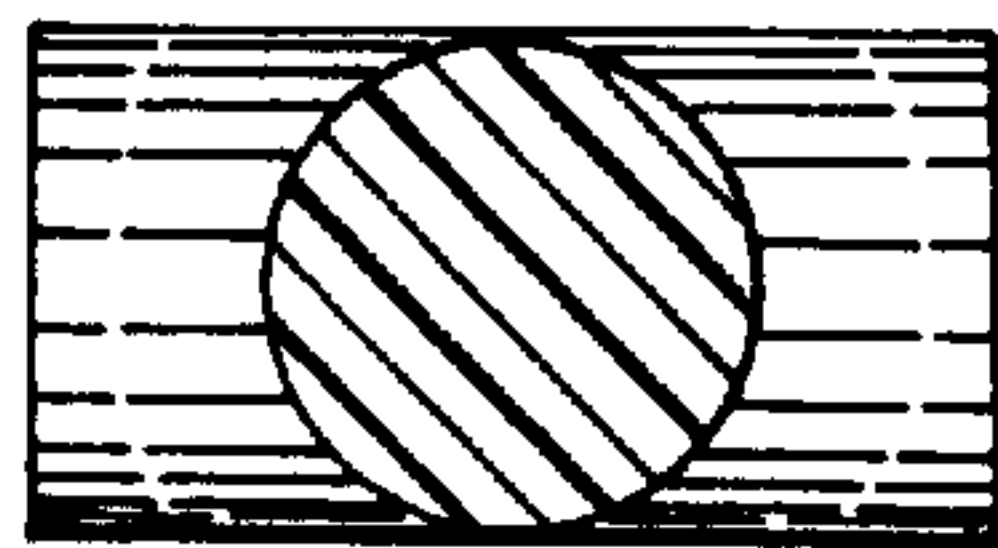


FIG. 7

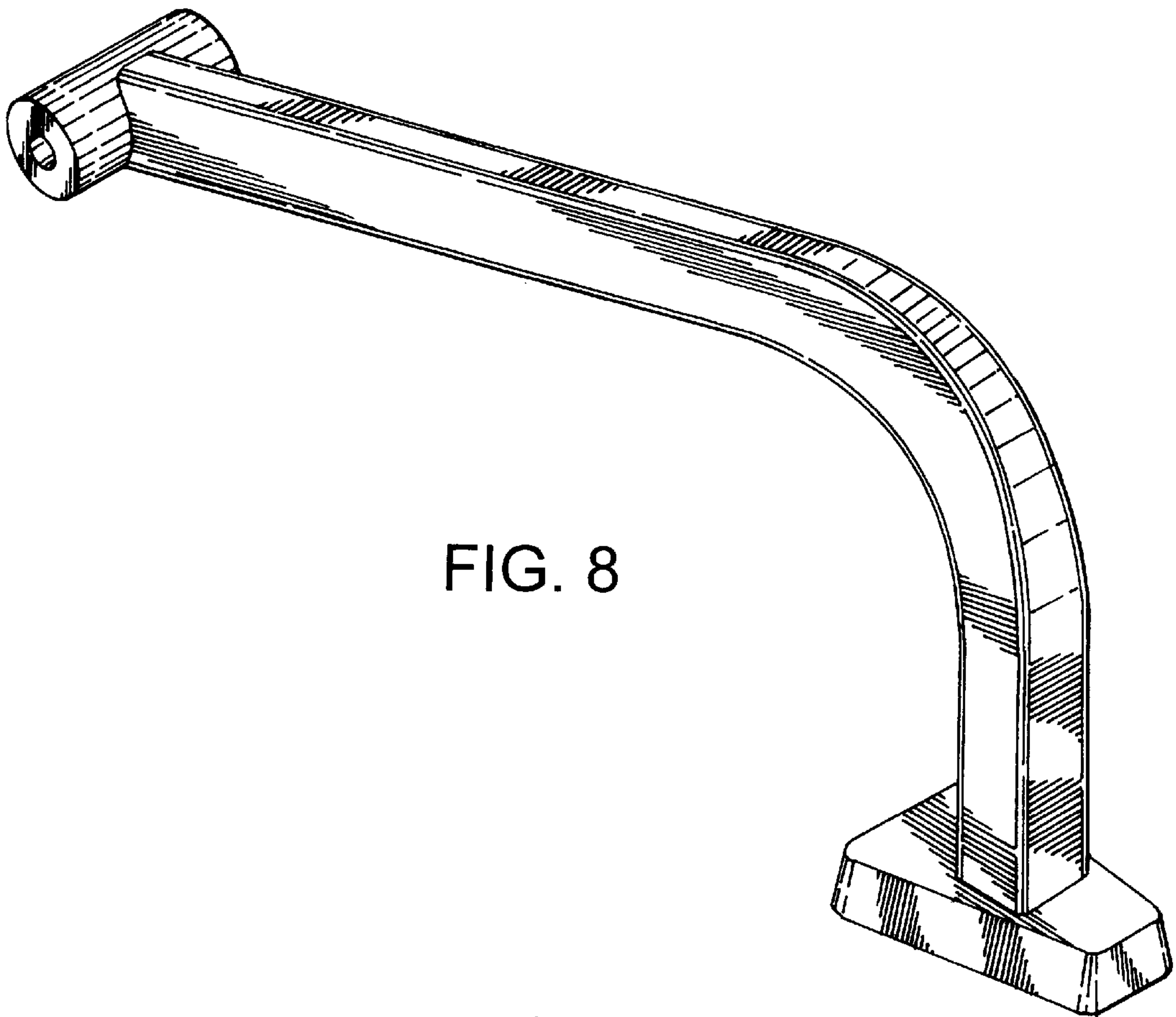


FIG. 8

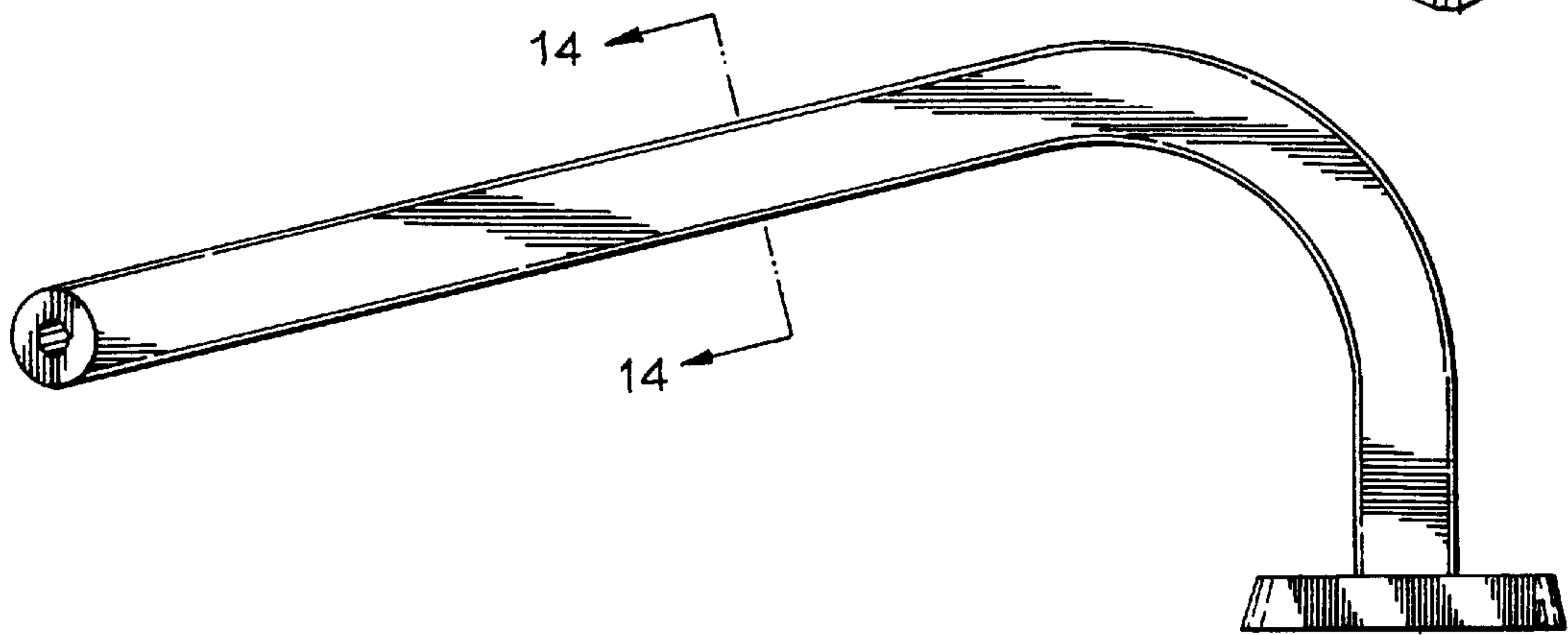


FIG. 9

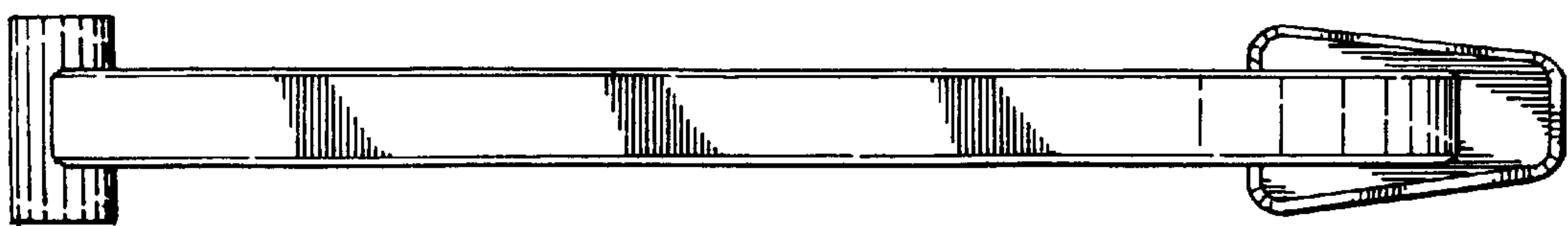


FIG. 10

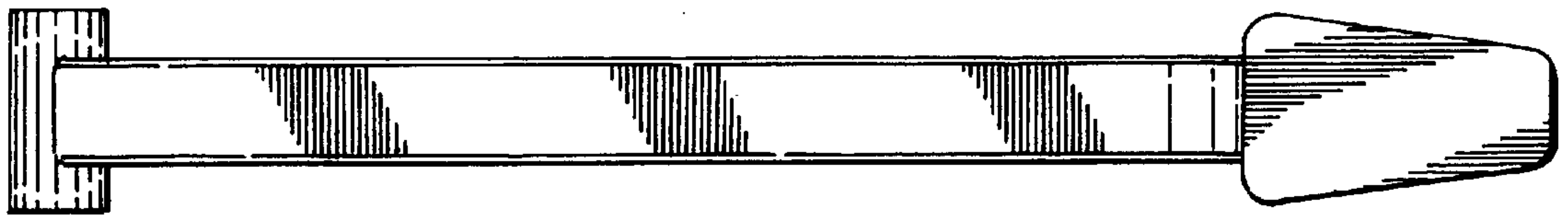


FIG. 11

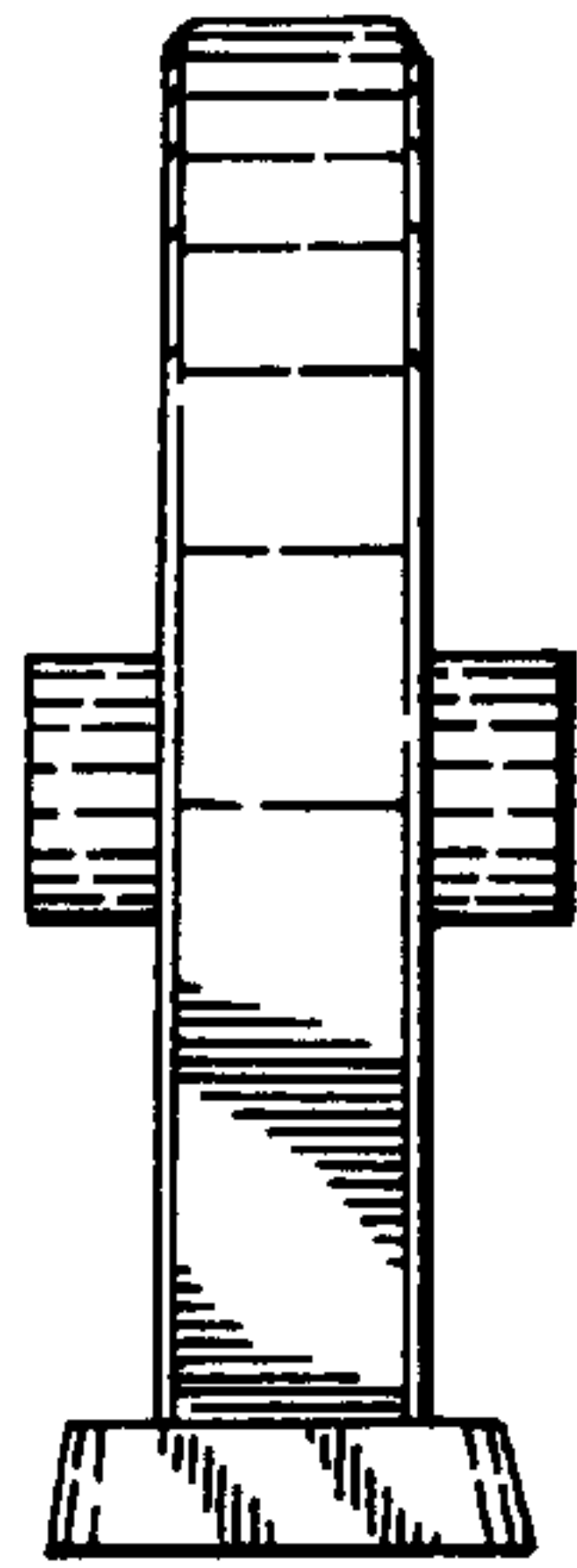


FIG. 12

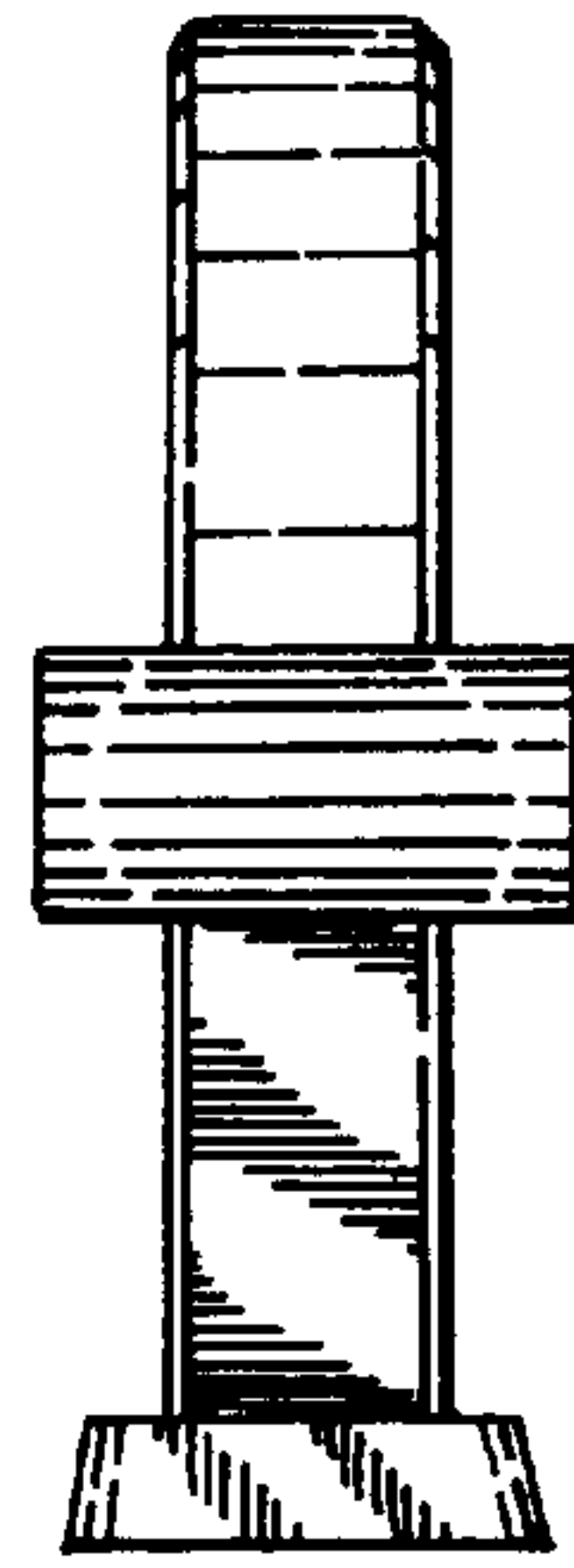


FIG. 13

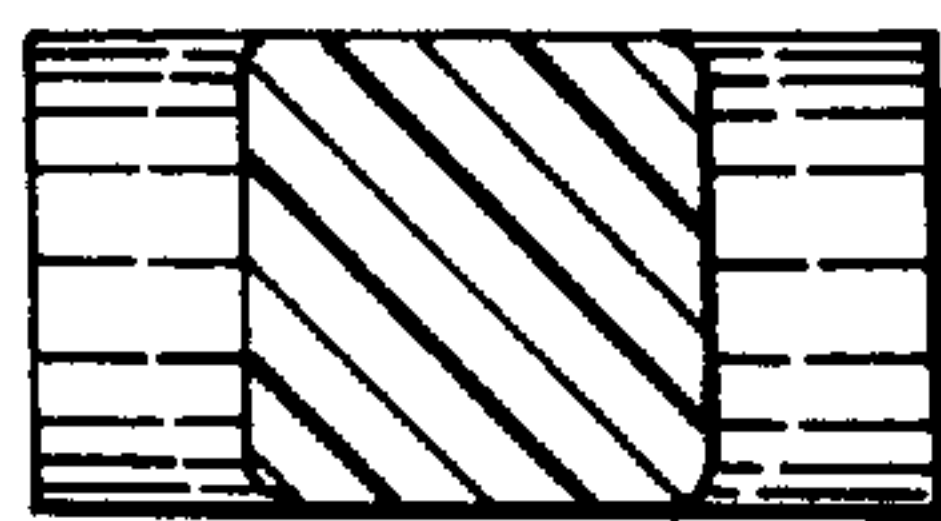


FIG. 14

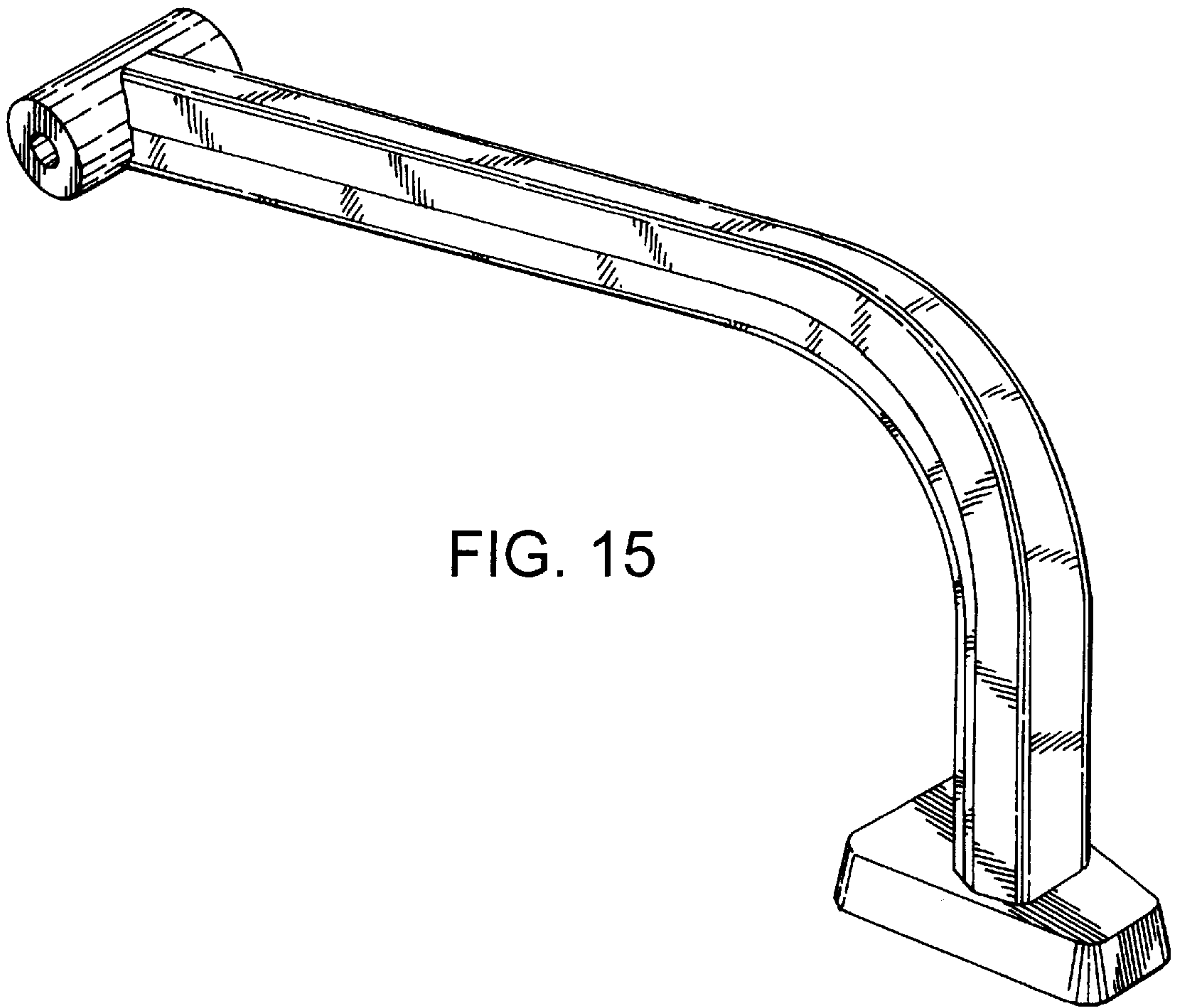


FIG. 15

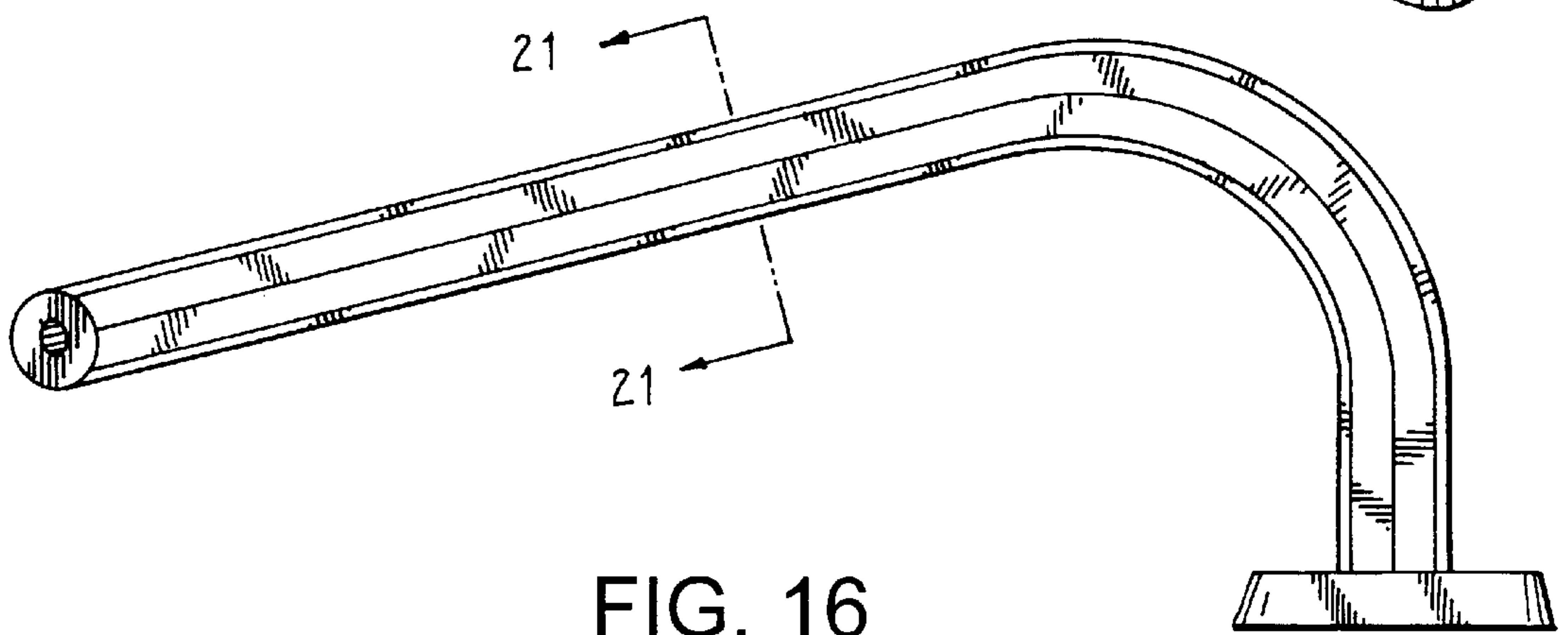


FIG. 16

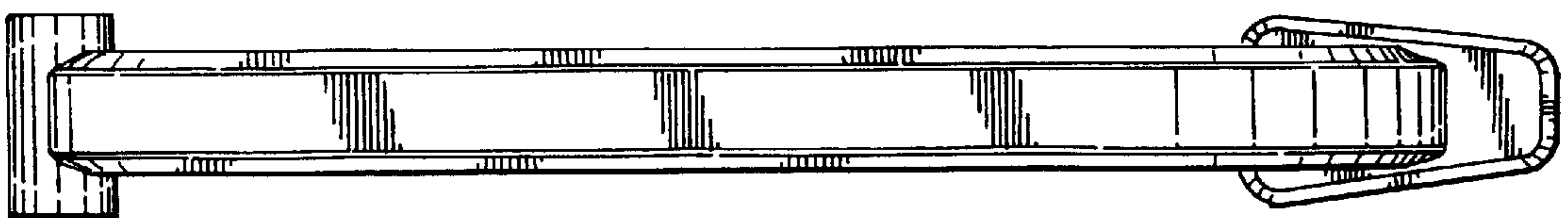


FIG. 17

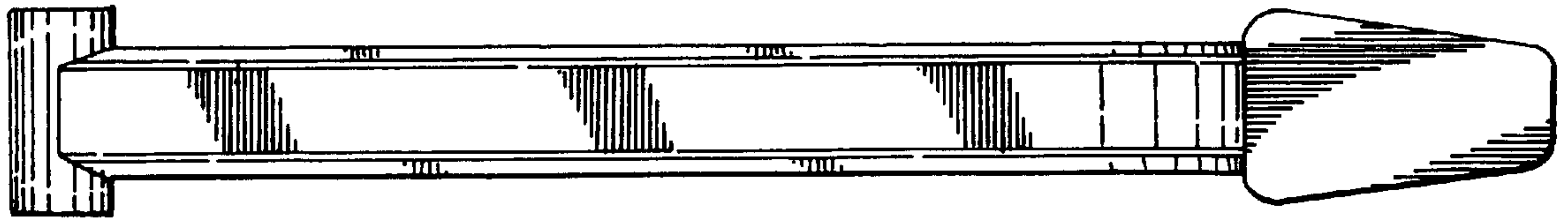


FIG. 18

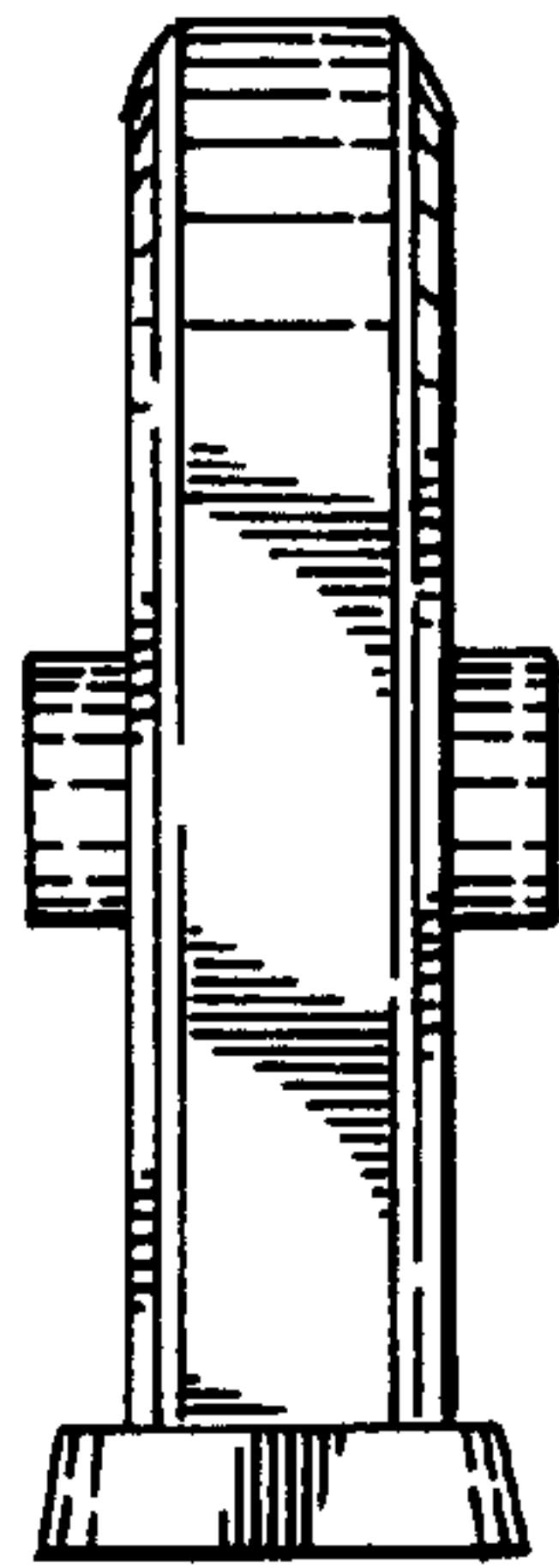


FIG. 19

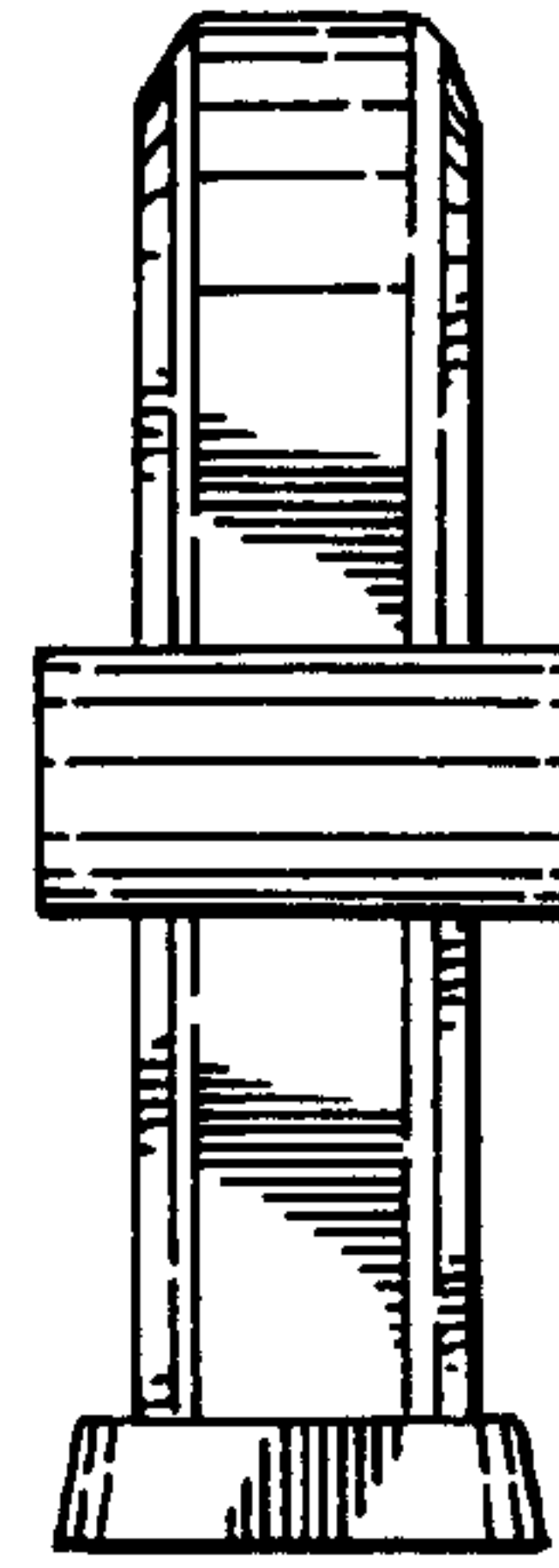


FIG. 20

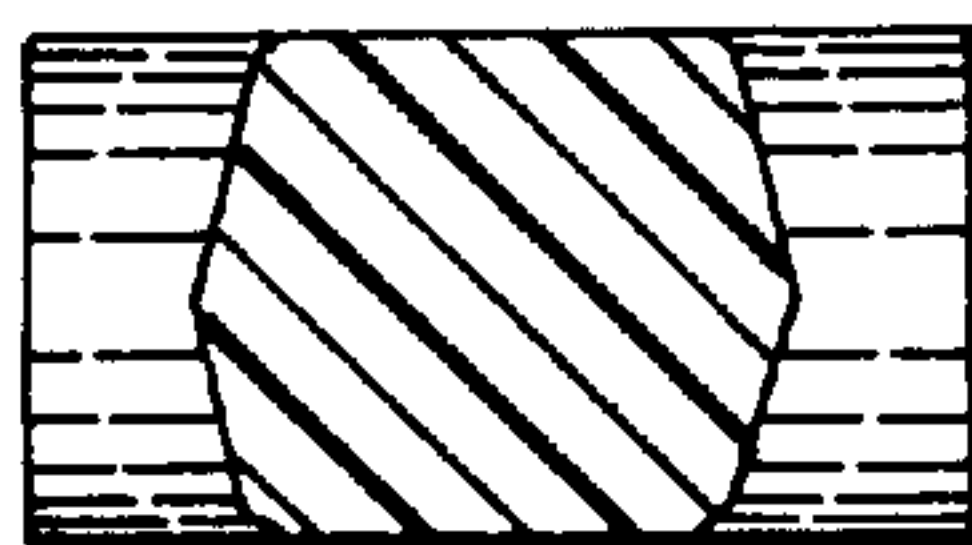


FIG. 21