



US00D467826S

(12) **United States Design Patent**
Williams

(10) **Patent No.:** **US D467,826 S**

(45) **Date of Patent:** **** Dec. 31, 2002**

(54) **WIRELESS TRANSMITTER FOR AN ANIMAL CONFINEMENT SYSTEM**

D410,207 S * 5/1999 Mills et al. D10/106
6,163,261 A * 12/2000 Westrick 340/573.3
6,269,776 B1 * 8/2001 Grimsley et al. 119/721

(75) Inventor: **Matthew R. Williams**, Fort Wayne, IN (US)

* cited by examiner

(73) Assignee: **Innotek Pet Products, Inc.**, Garret, IN (US)

Primary Examiner—Antoine Duval Davis

(74) *Attorney, Agent, or Firm*—Taylor & Aust, P.C.

(**) Term: **14 Years**

(57) **CLAIM**

The ornamental design for a wireless transmitter for an animal confinement system, as shown and described.

(21) Appl. No.: **29/152,210**

DESCRIPTION

(22) Filed: **Dec. 14, 2001**

(51) **LOC (7) Cl.** **10-05**

(52) **U.S. Cl.** **D10/104**

(58) **Field of Search** D10/104; 119/859, 119/721, 908; 340/573.1, 573.2, 573.3

FIG. 1 is a perspective view of a wireless transmitter for an animal confinement system showing my new design;

FIG. 2 is a top view thereof;

FIG. 3 is a bottom view thereof;

FIG. 4 is a side view thereof;

FIG. 5 is another side view thereof;

FIG. 6 is yet another side view thereof; and,

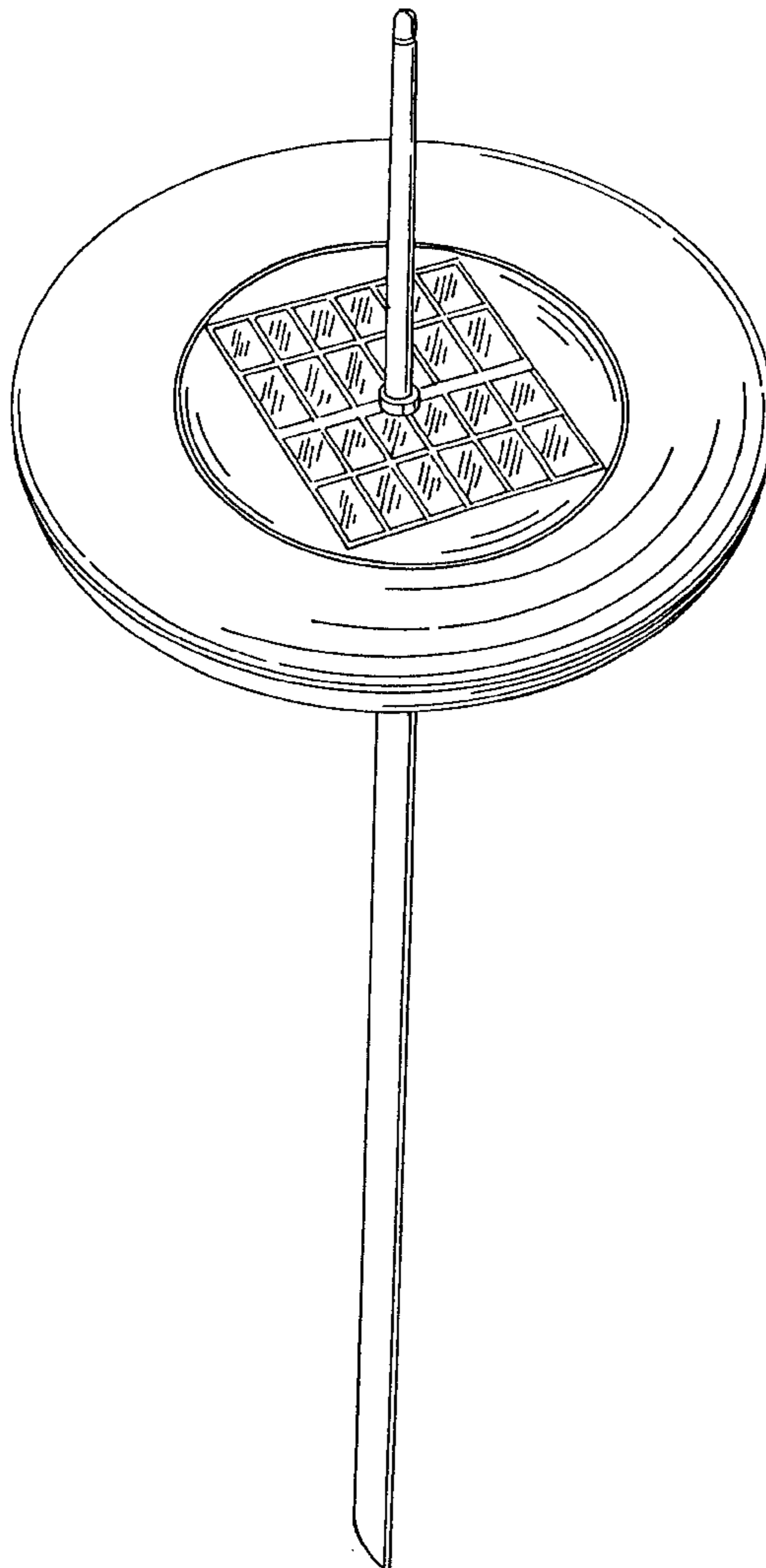
FIG. 7 is still another side view thereof.

(56) **References Cited**

U.S. PATENT DOCUMENTS

5,872,516 A * 2/1999 Bongo et al. 340/573.3

1 Claim, 7 Drawing Sheets



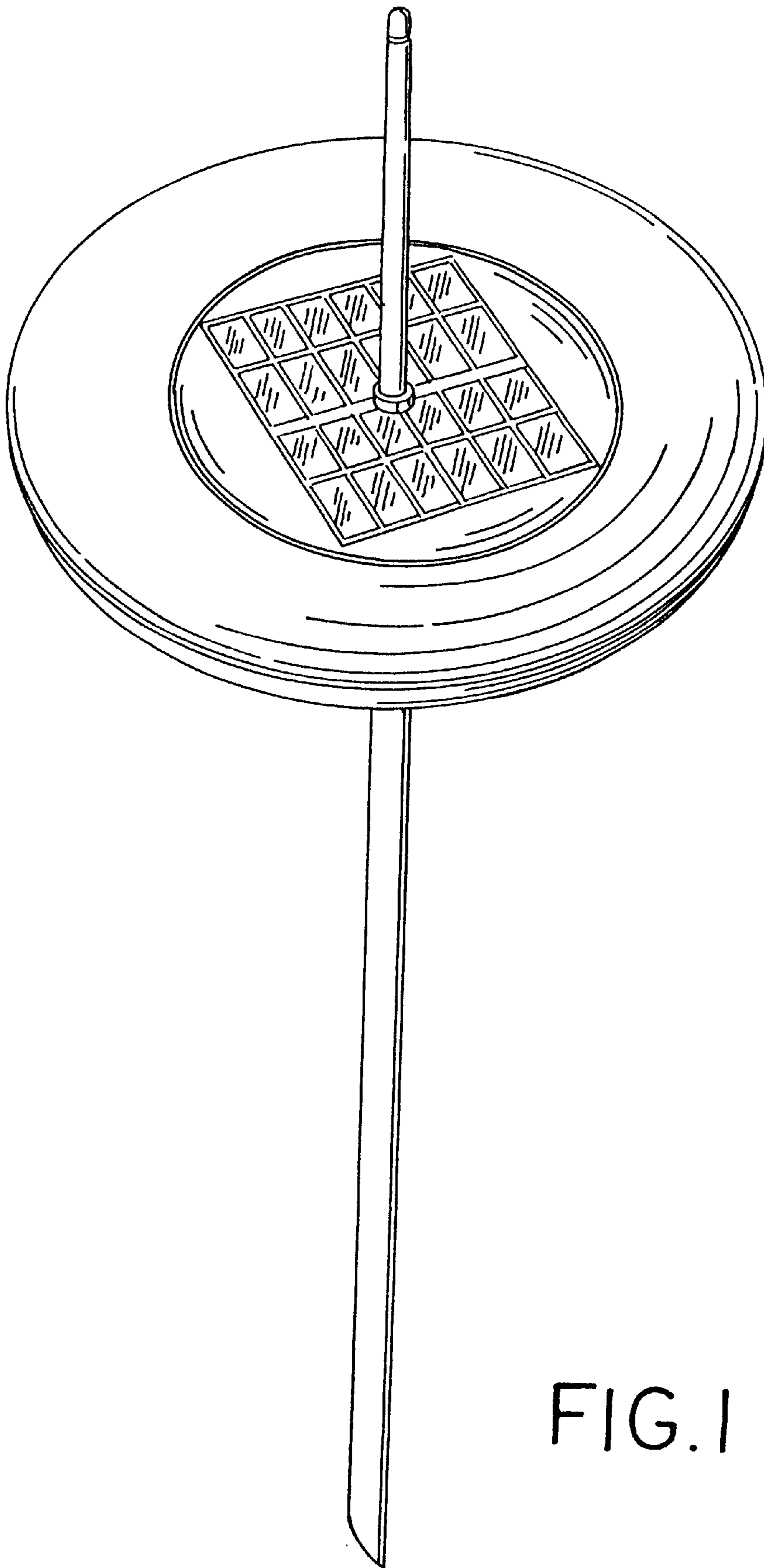


FIG. 1

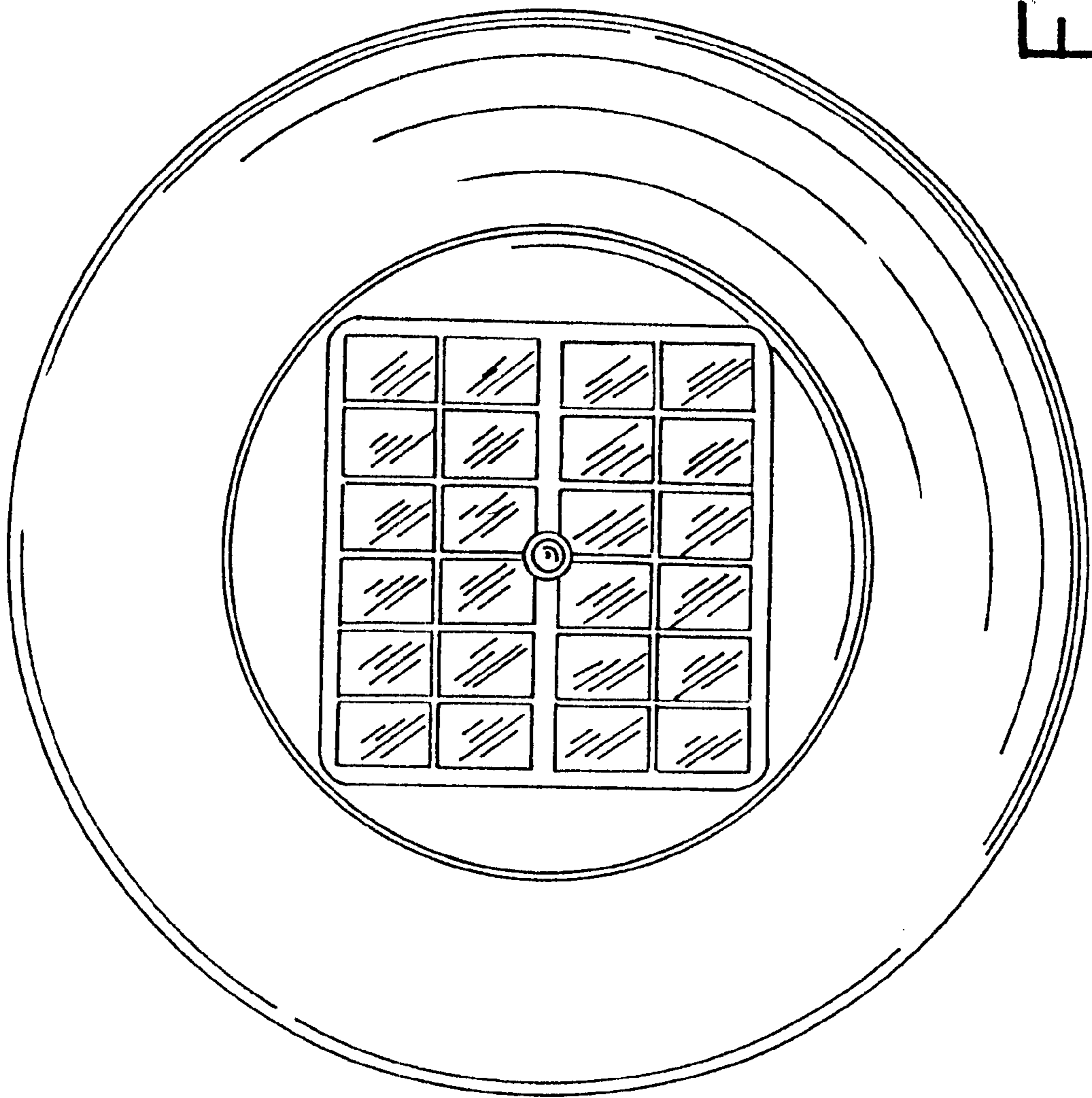


FIG. 2

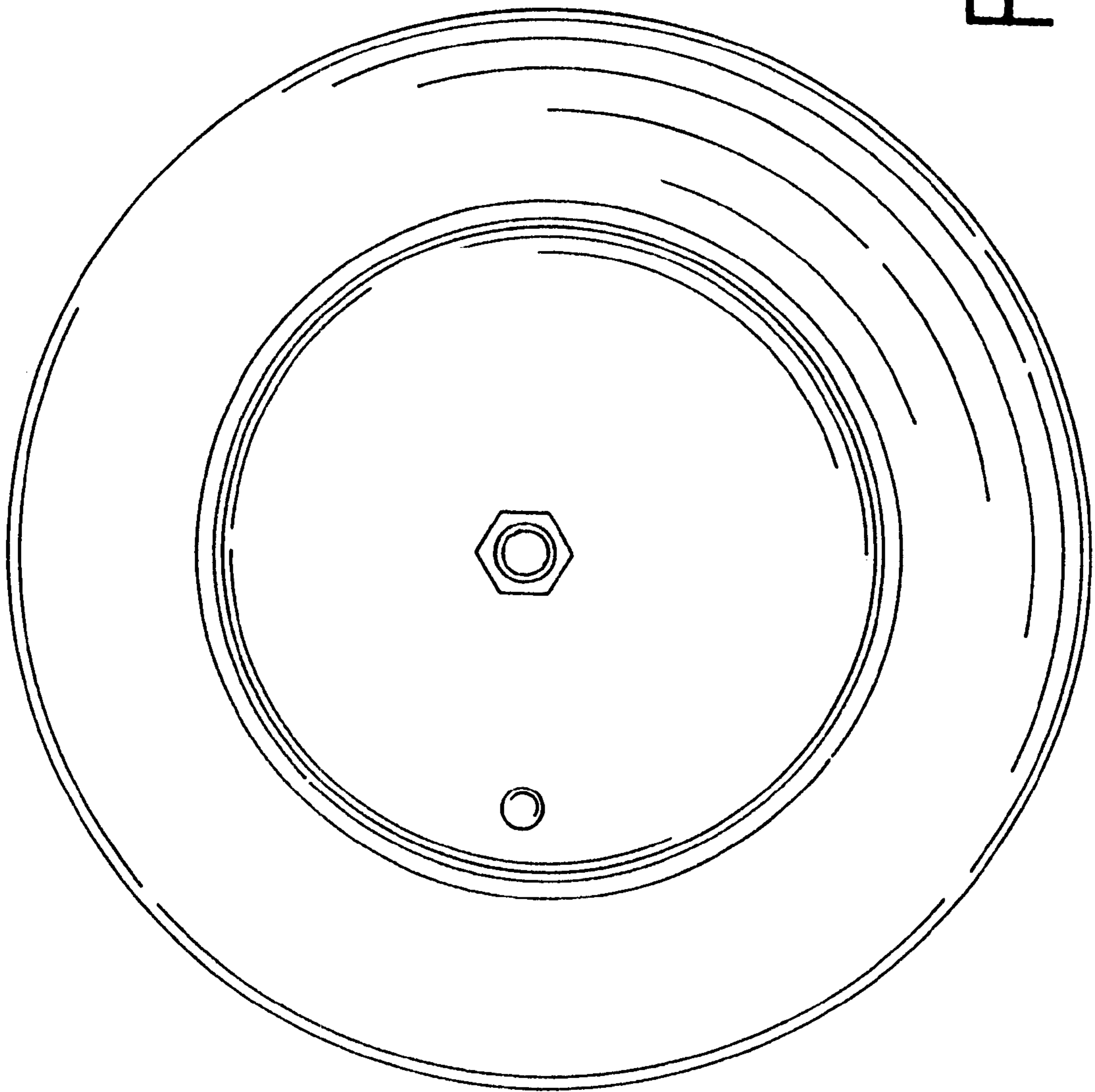


FIG 3

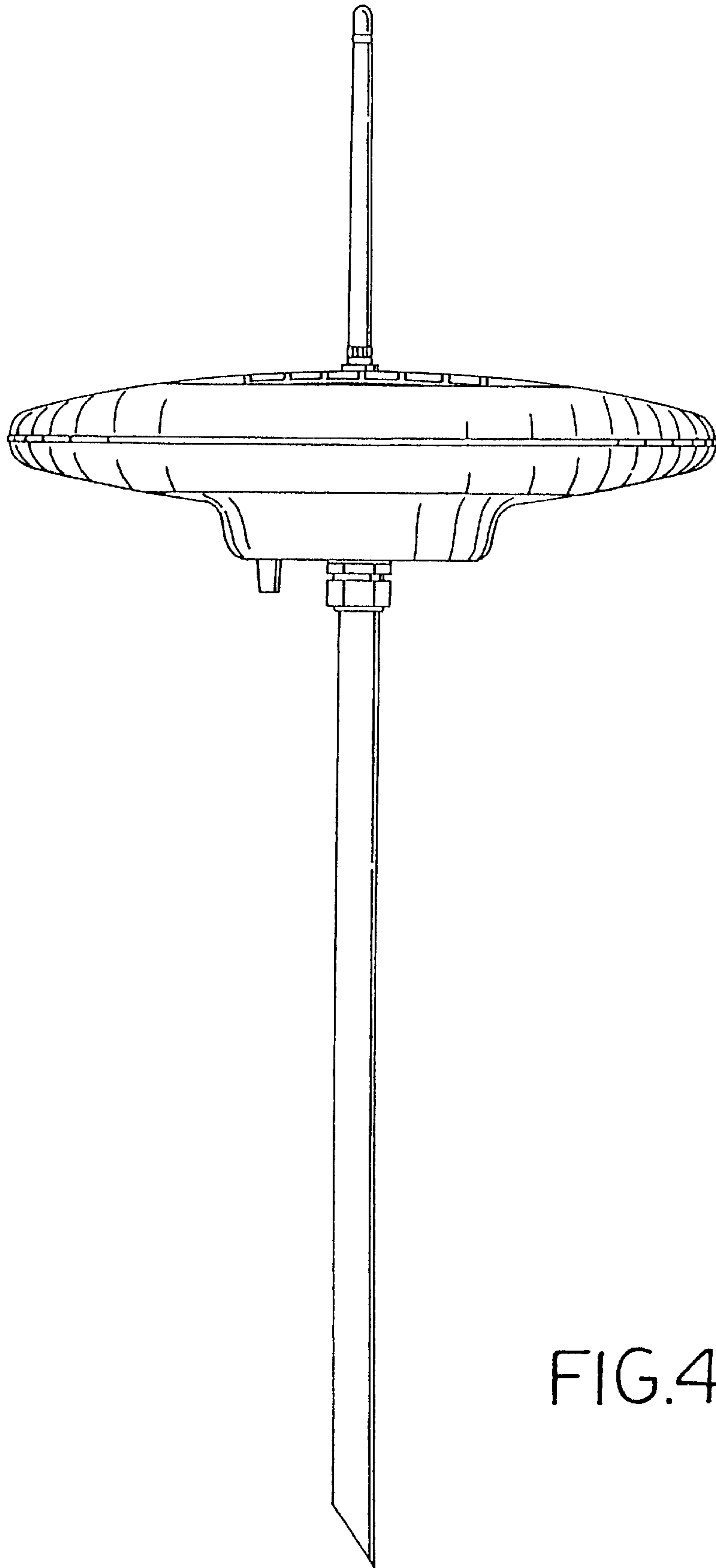


FIG.4

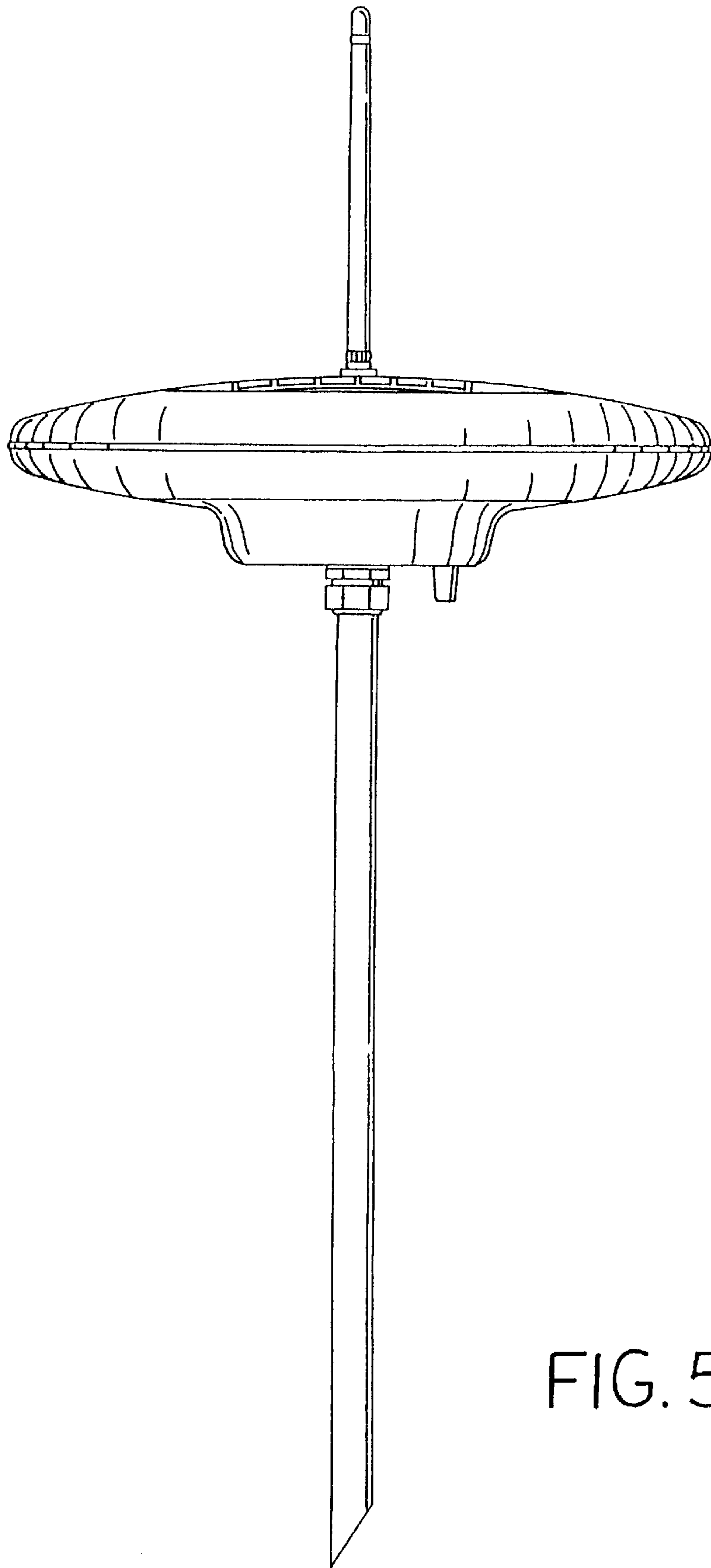


FIG. 5

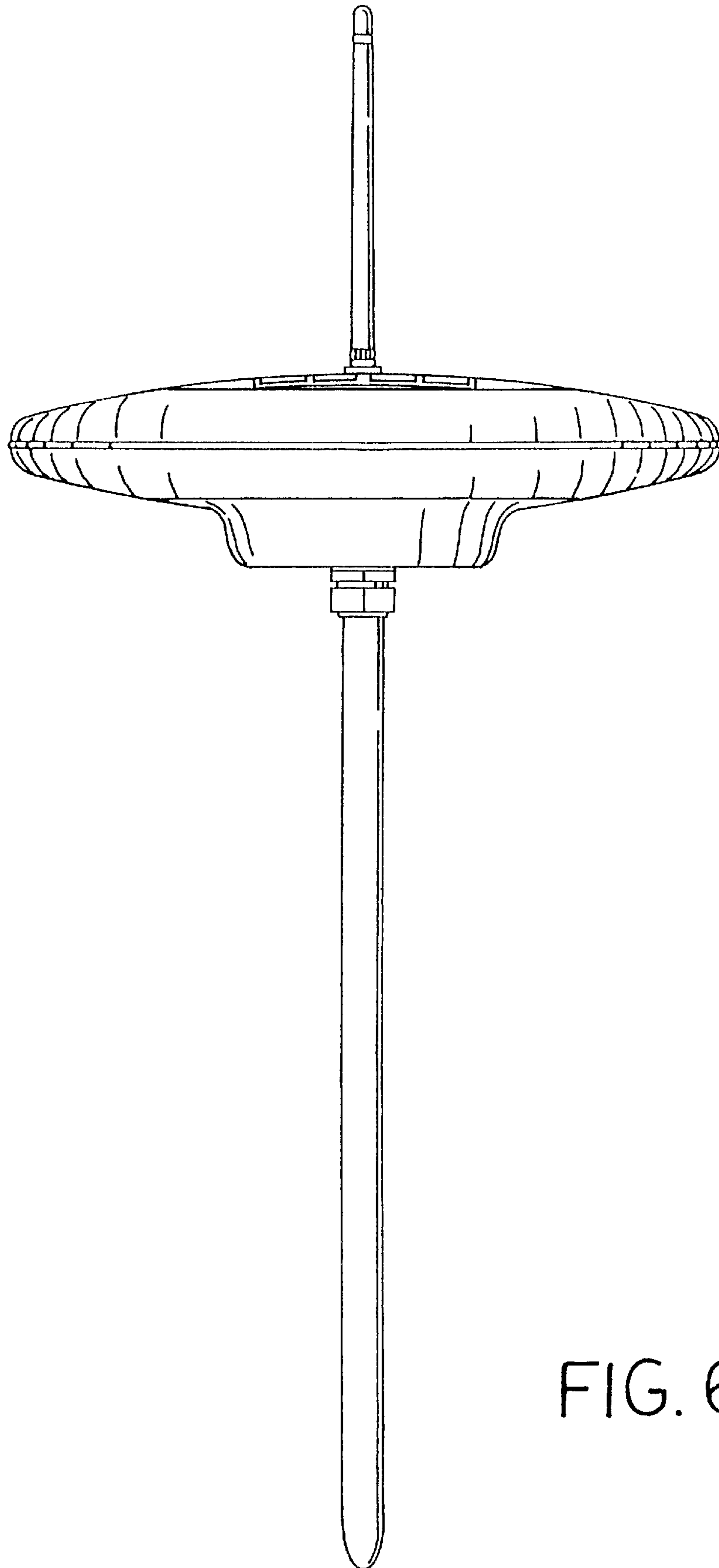


FIG. 6

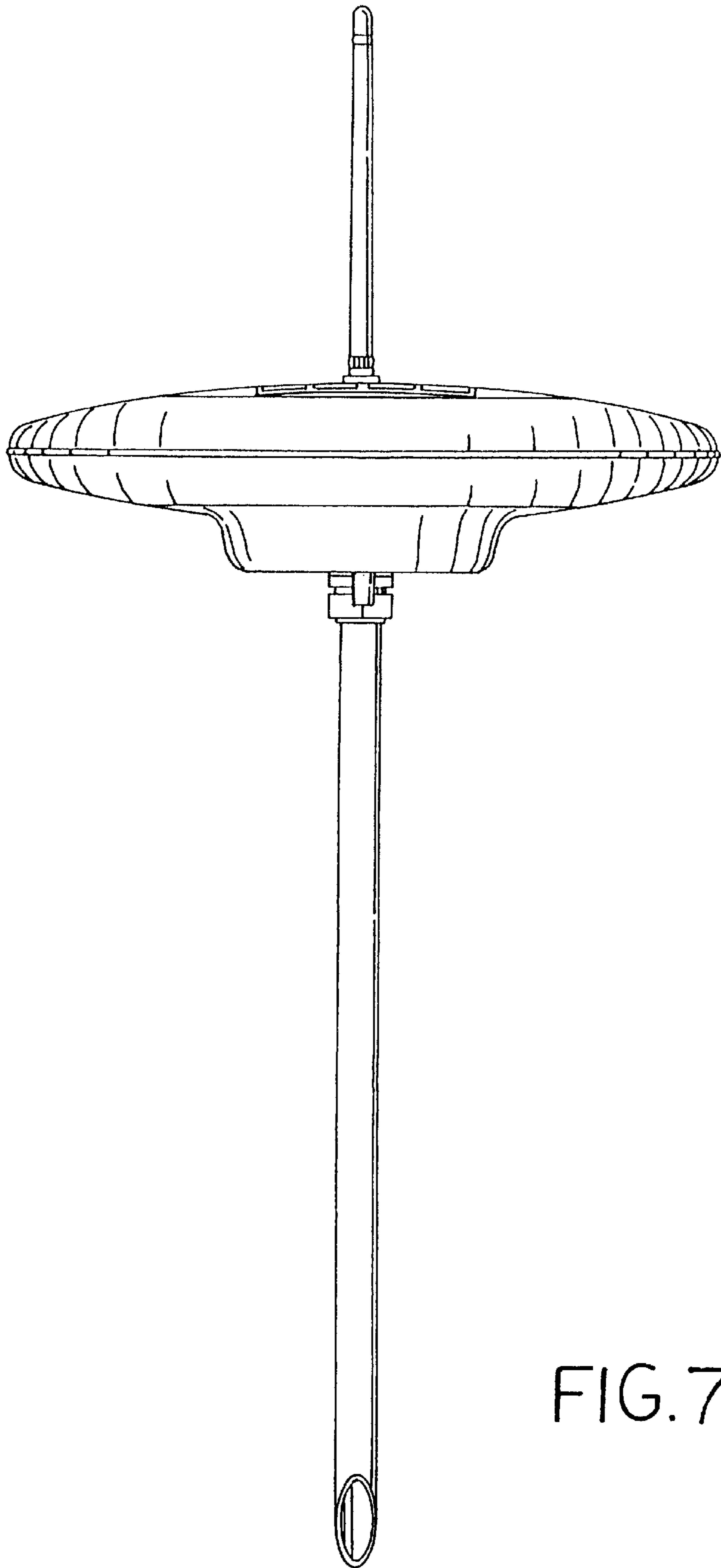


FIG. 7