



US00D467825S

(12) **United States Design Patent**
Watson

(10) **Patent No.:** **US D467,825 S**

(45) **Date of Patent:** **** Dec. 31, 2002**

(54) **ELECTRONIC LEVEL SENSOR**

(75) Inventor: **Ian George Watson**, Fraserville (CA)

(73) Assignee: **Siemens Milltronics Process Instruments Inc.**, Peterborough (CA)

(**) Term: **14 Years**

(21) Appl. No.: **29/136,844**

(22) Filed: **Feb. 8, 2001**

(30) **Foreign Application Priority Data**

Aug. 18, 2000 (CA) 2000-2217

(51) **LOC (7) Cl.** **10-04**

(52) **U.S. Cl.** **D10/69**

(58) **Field of Search** D10/69; 33/366.14,
33/366.12; 324/676, 710

(56) **References Cited**

U.S. PATENT DOCUMENTS

5,159,761 A * 11/1992 Cagan et al. 33/366.14

* cited by examiner

Primary Examiner—Antoine Duval Davis

(74) *Attorney, Agent, or Firm*—Ridout & Maybee LLP

(57) **CLAIM**

The ornamental design for an electronic level sensor, as shown and described.

DESCRIPTION

FIG. 1 is a perspective view of an electronic level sensor embodying the design;

FIG. 2 is a rear view thereof;

FIG. 3 is a right side view thereof;

FIG. 4 is a front view thereof;

FIG. 5 is a left side view thereof;

FIG. 6 is a top view thereof;

FIG. 7 is a bottom view thereof;

FIG. 8 is a perspective view of a second variant of the design;

FIG. 9 is a rear view thereof;

FIG. 10 is a right side view thereof;

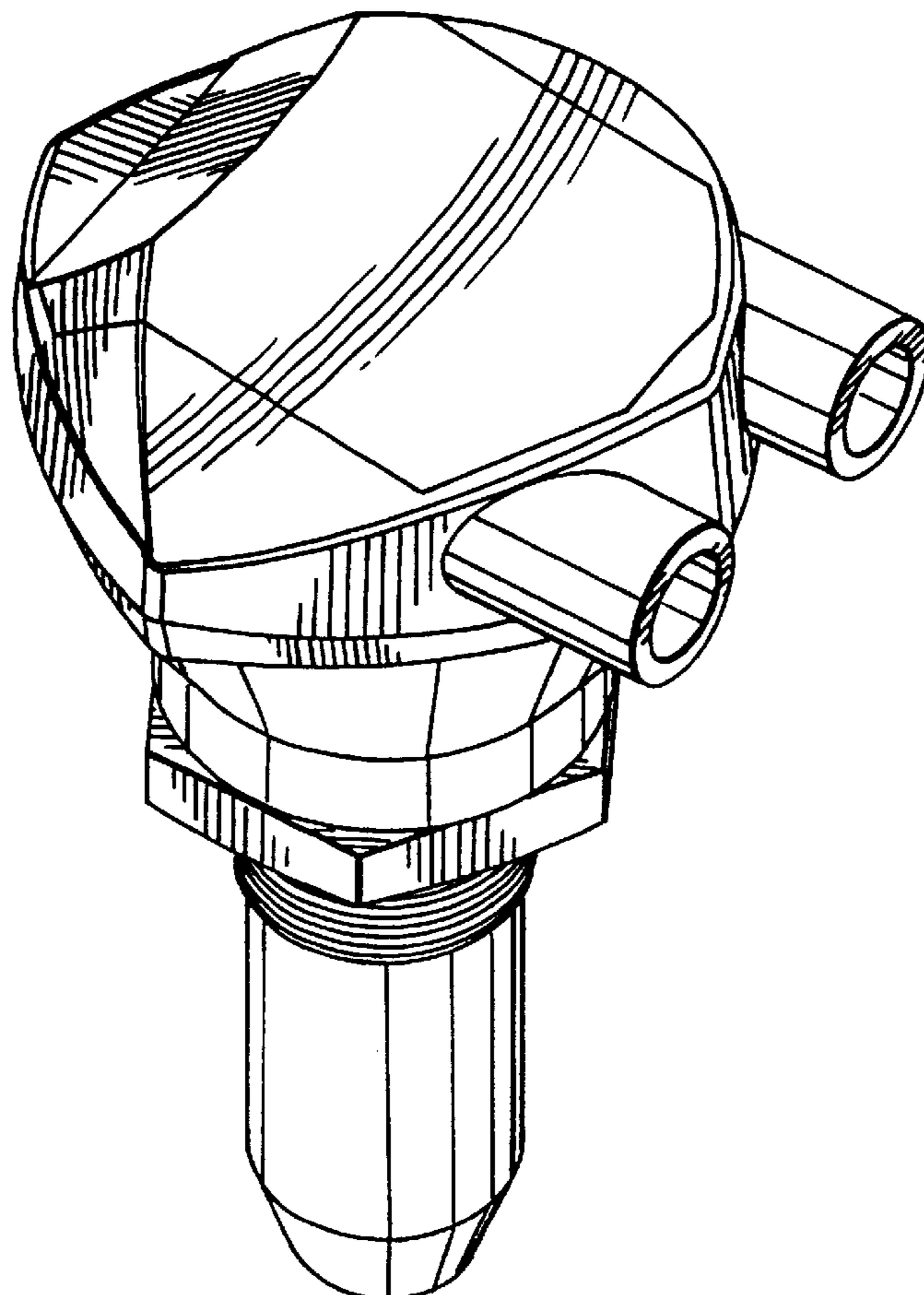
FIG. 11 is a front view thereof;

FIG. 12 is a top view thereof;

FIG. 13 is a bottom view thereof; and,

FIG. 14 is a left side view thereof.

1 Claim, 6 Drawing Sheets



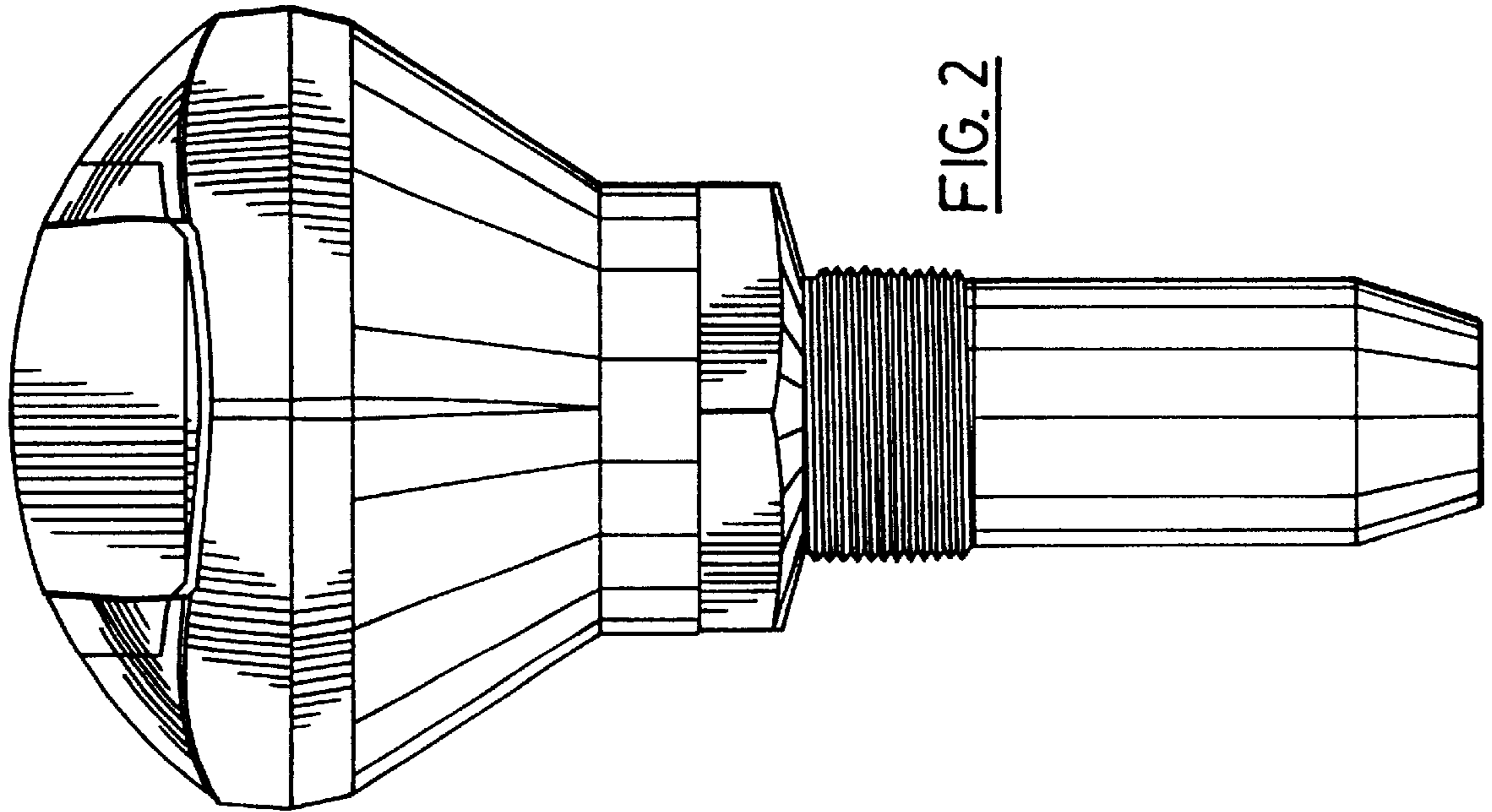


FIG. 2

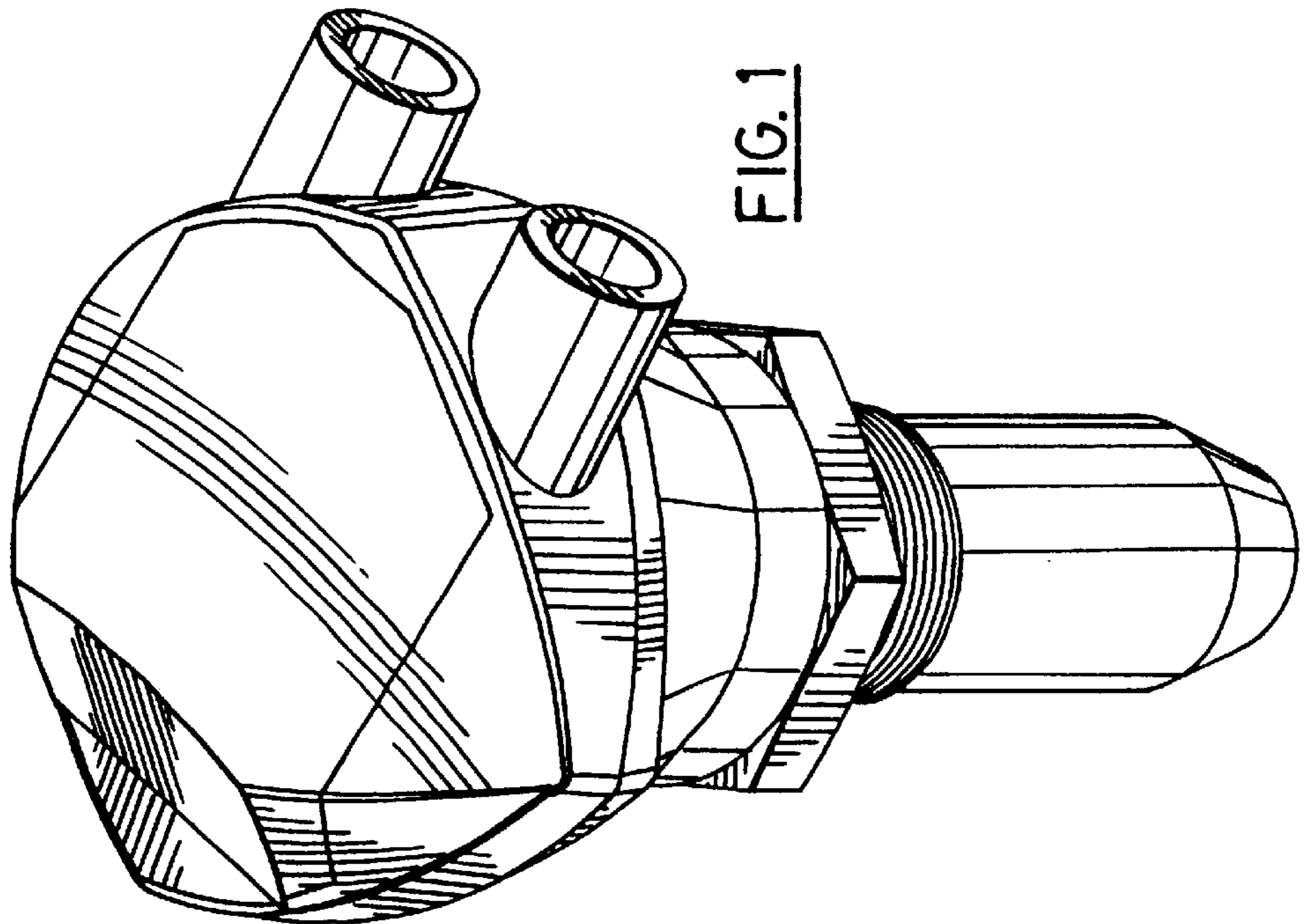
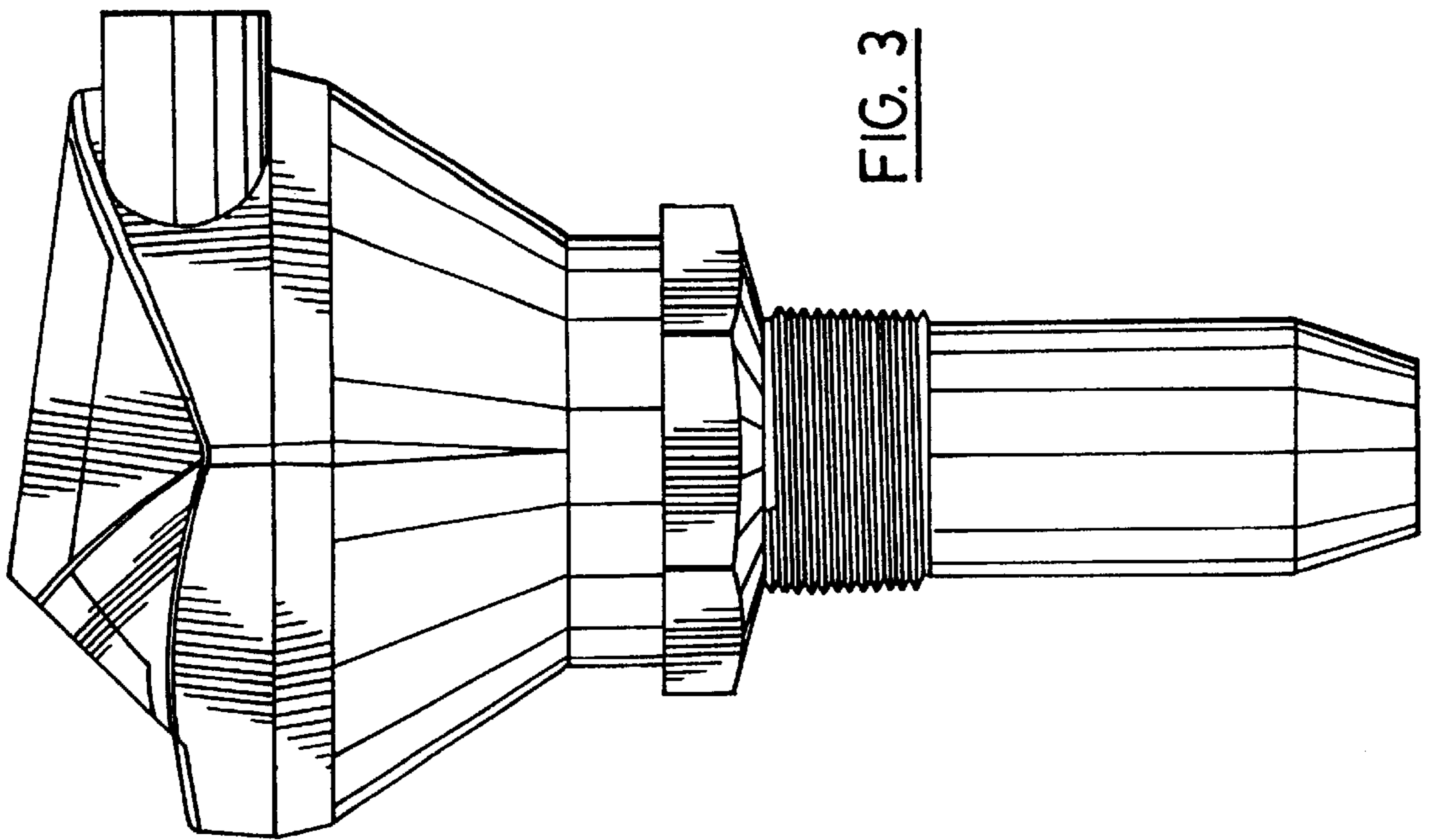
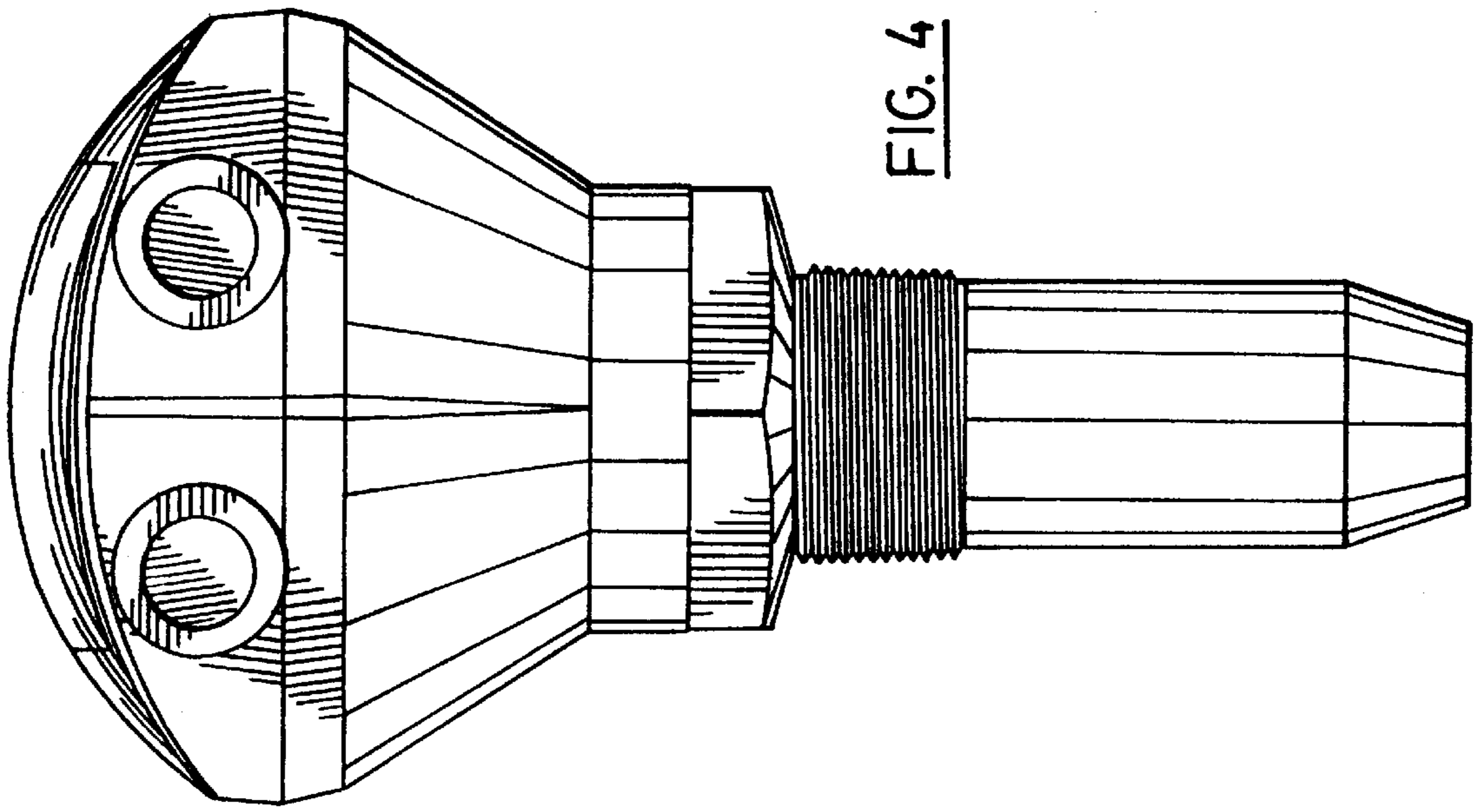


FIG. 1



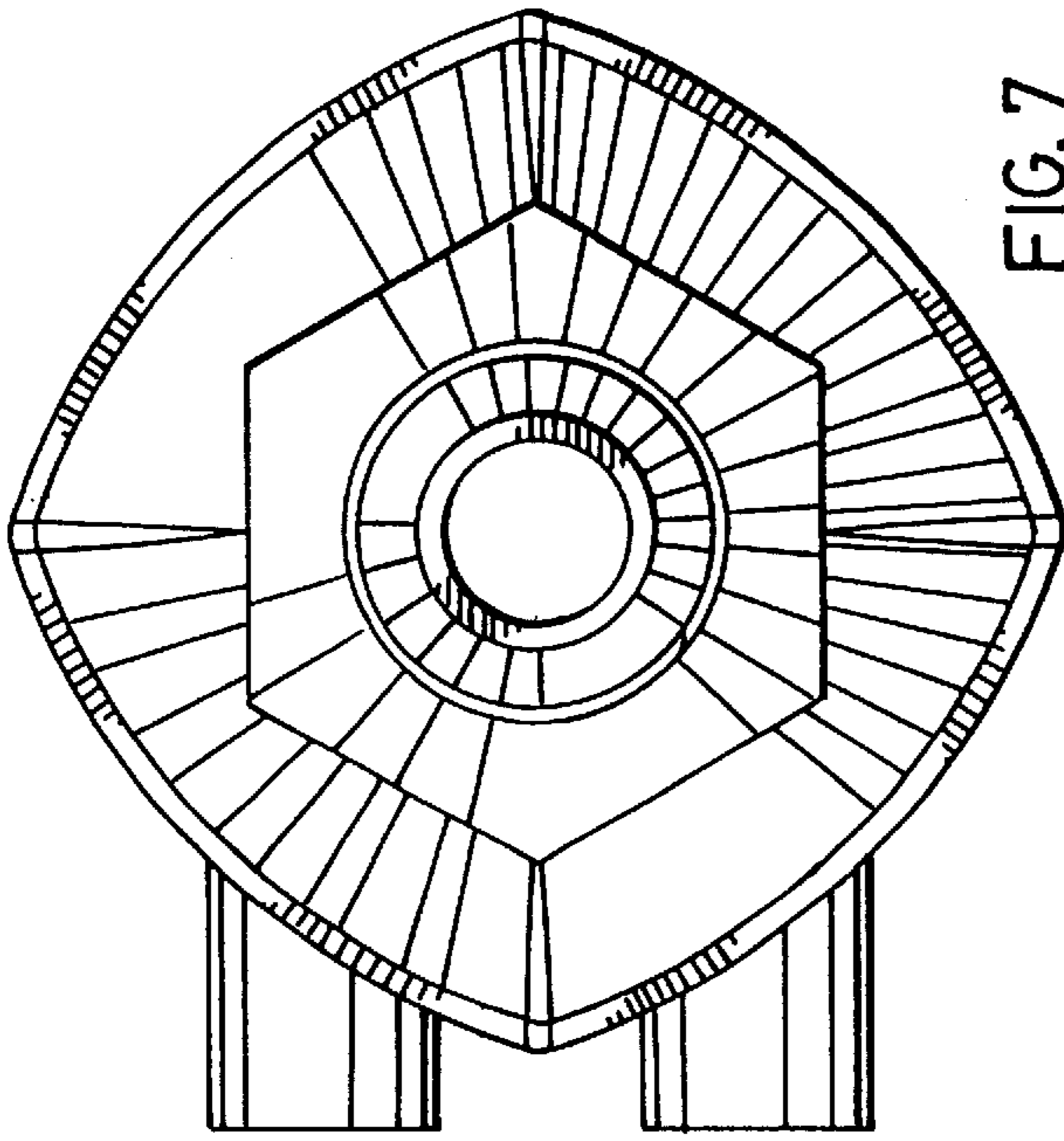


FIG. 7

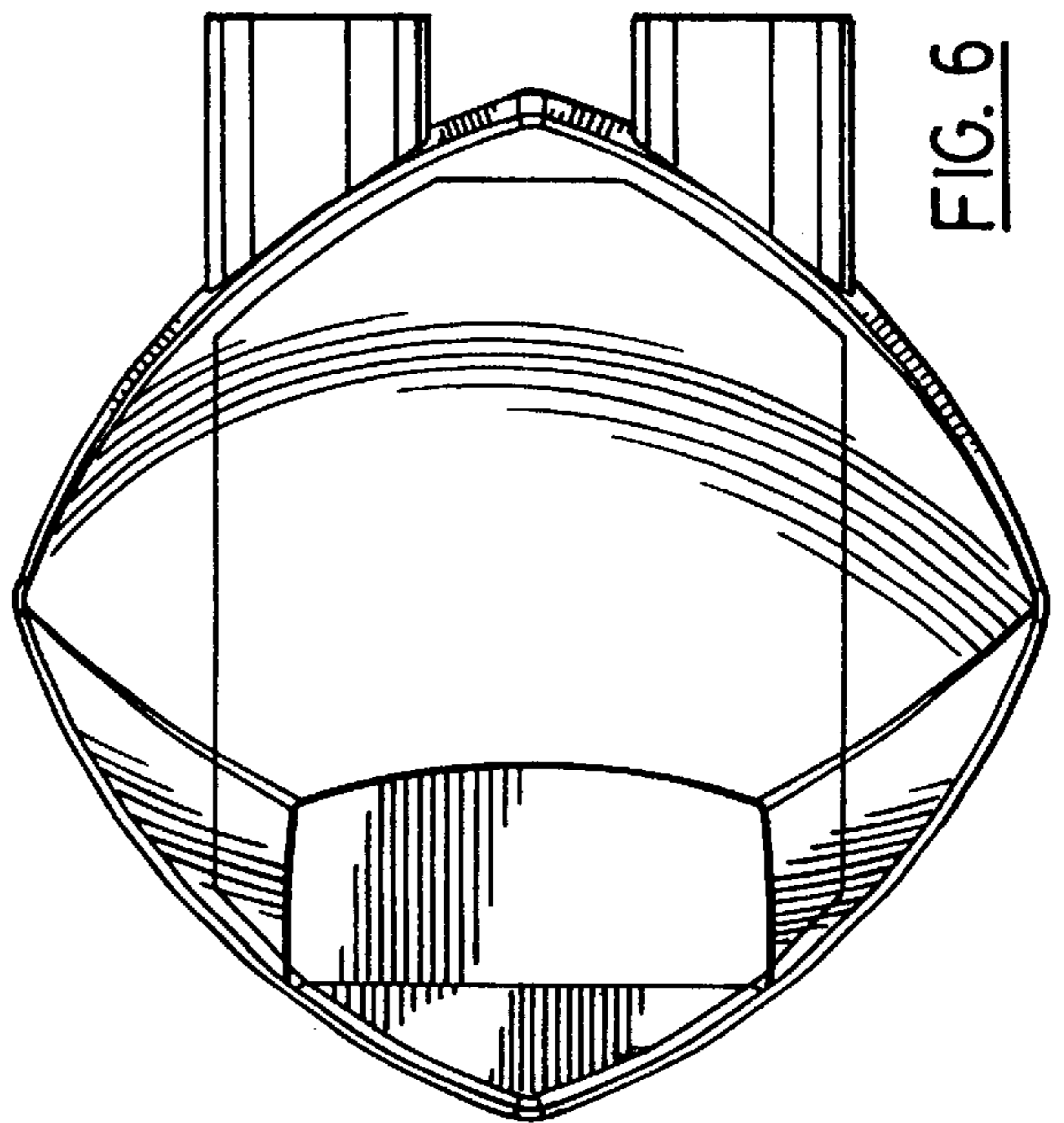


FIG. 6

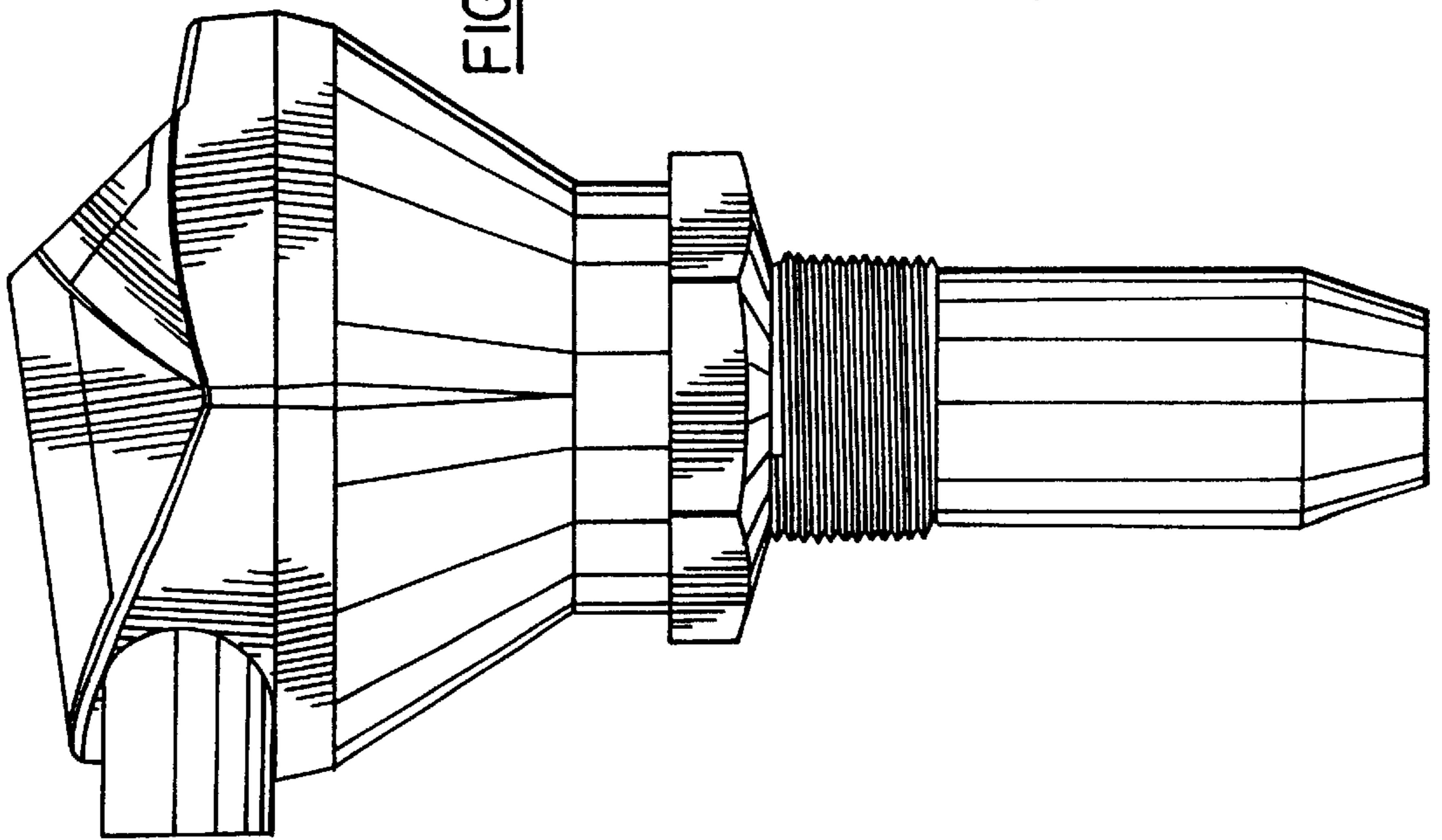


FIG. 5

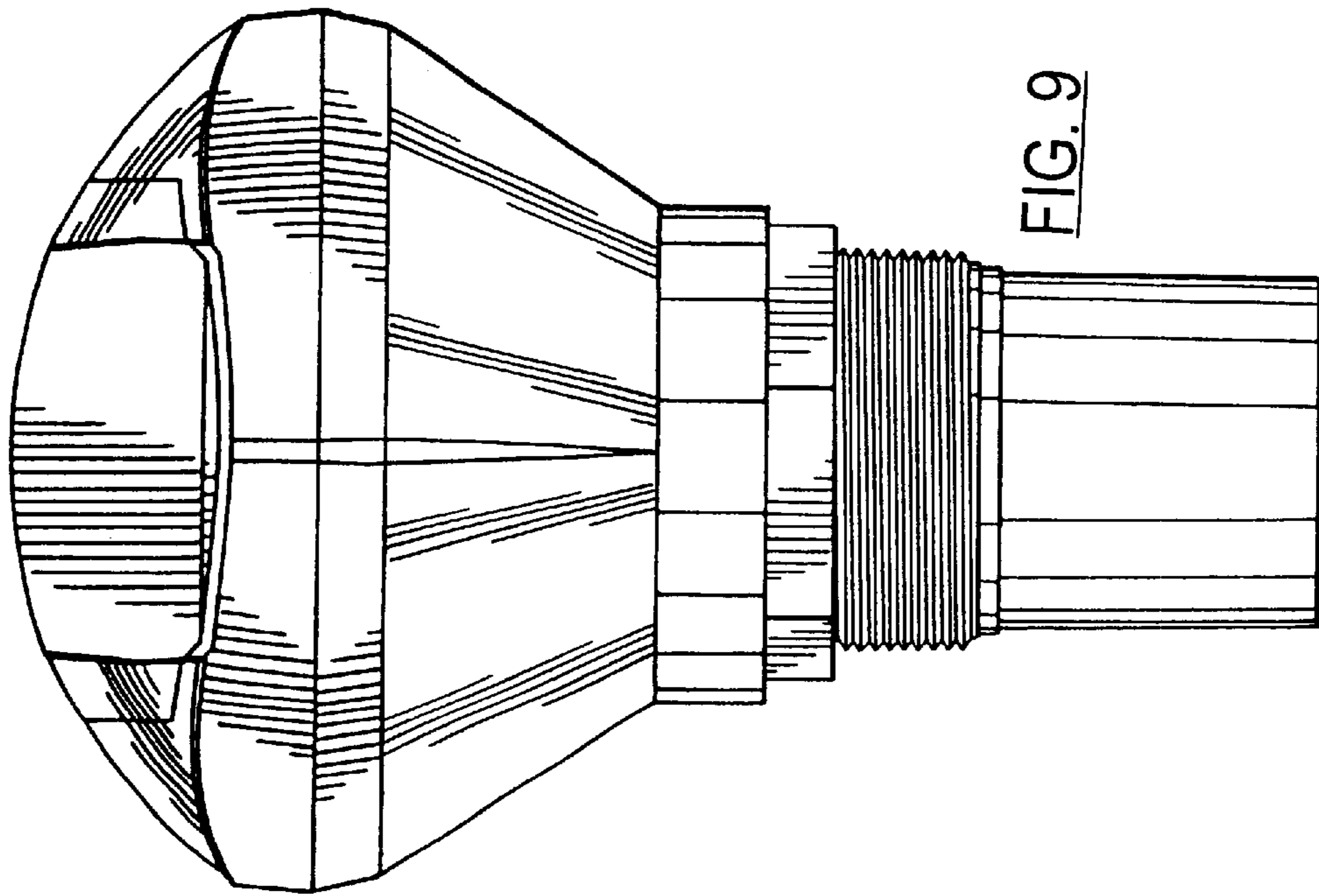


FIG. 9

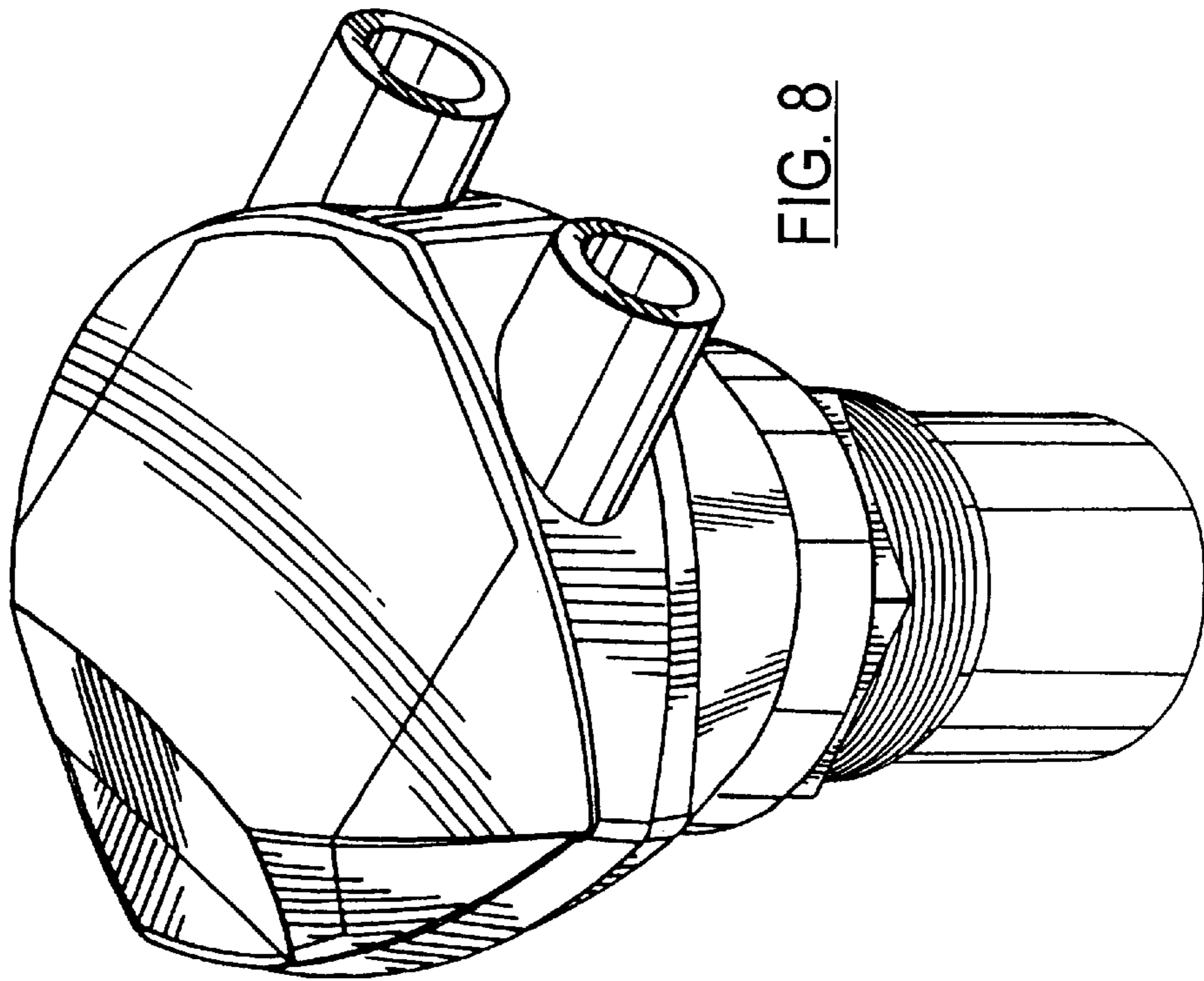


FIG. 8

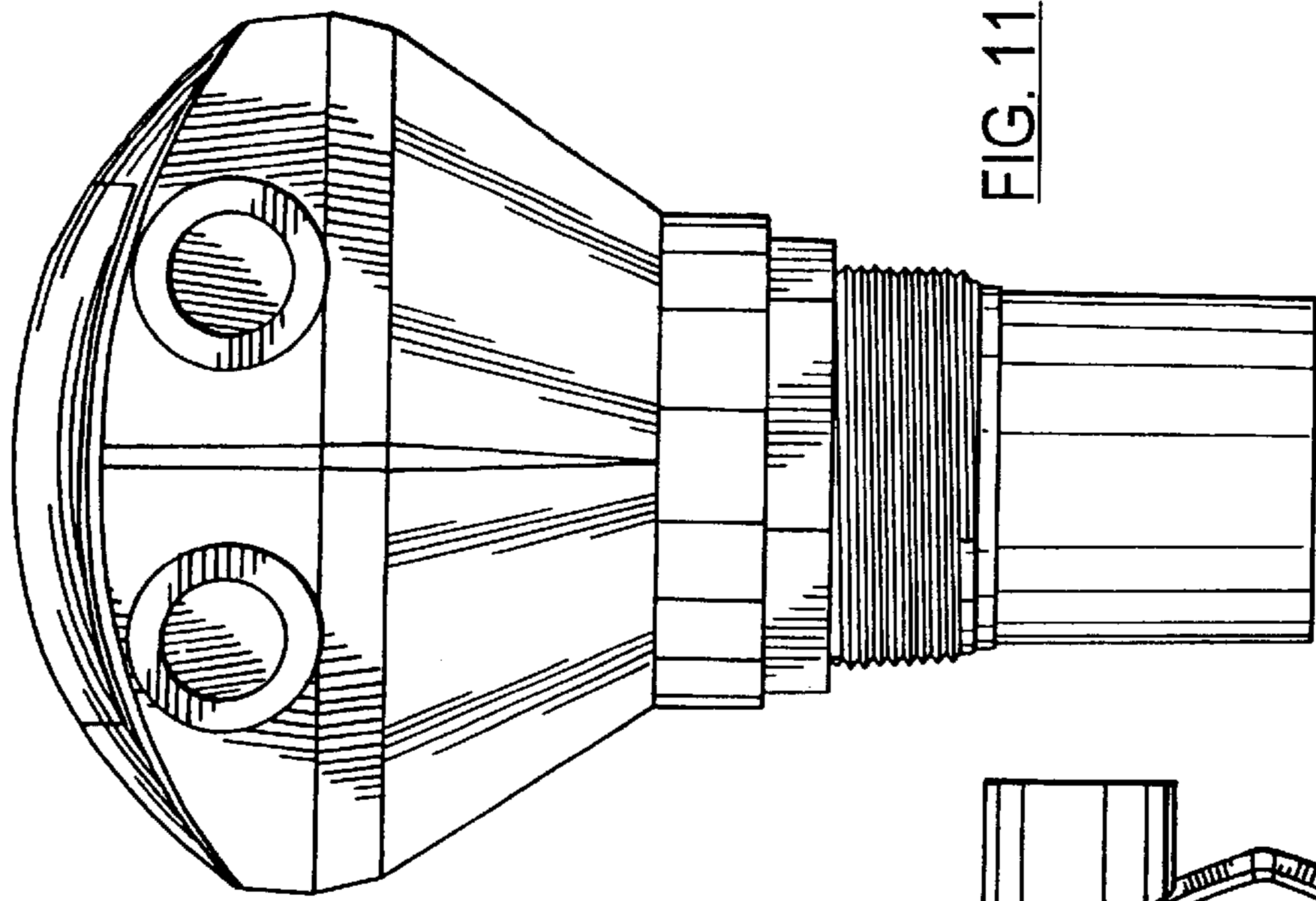


FIG. 11

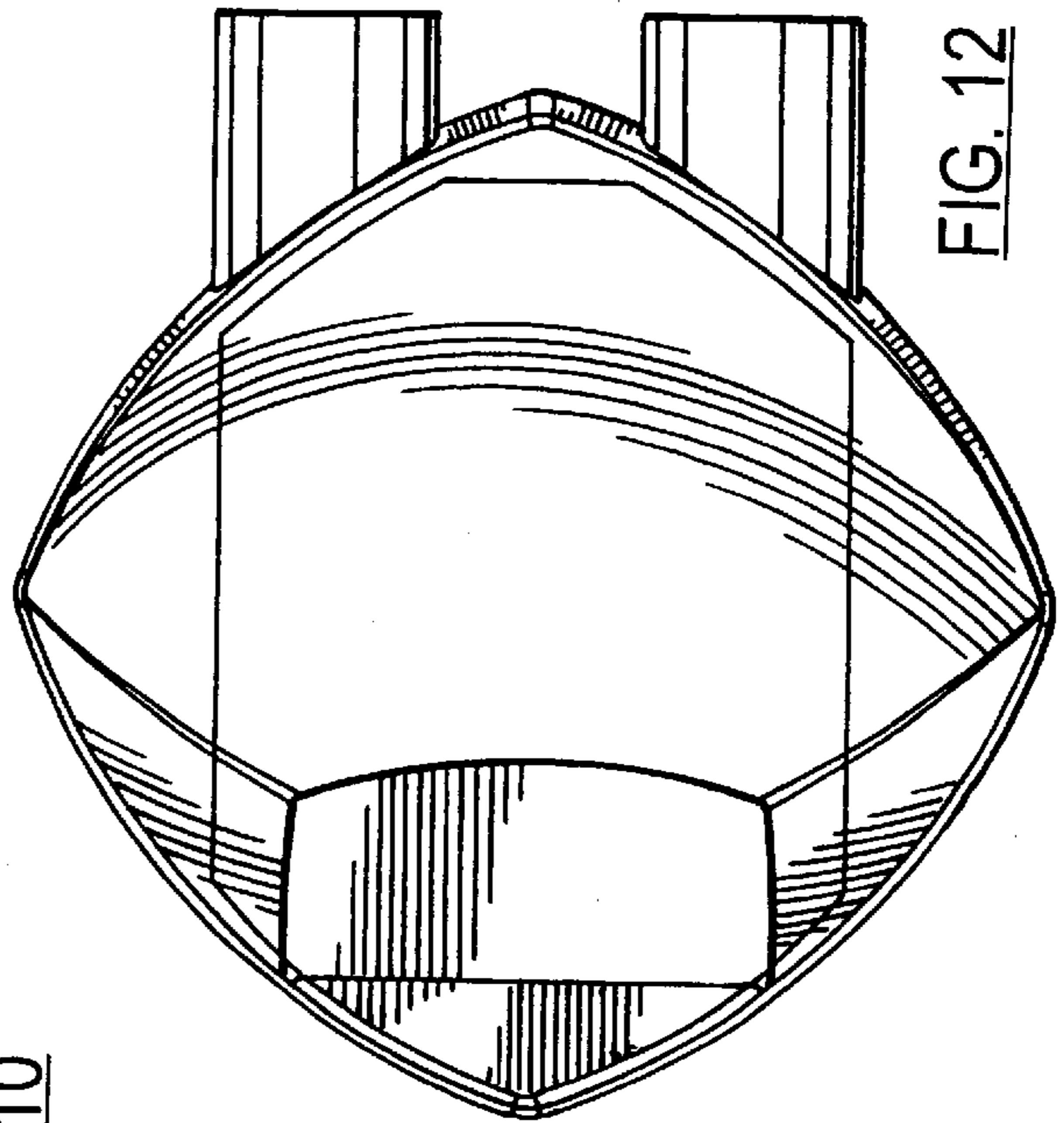


FIG. 12

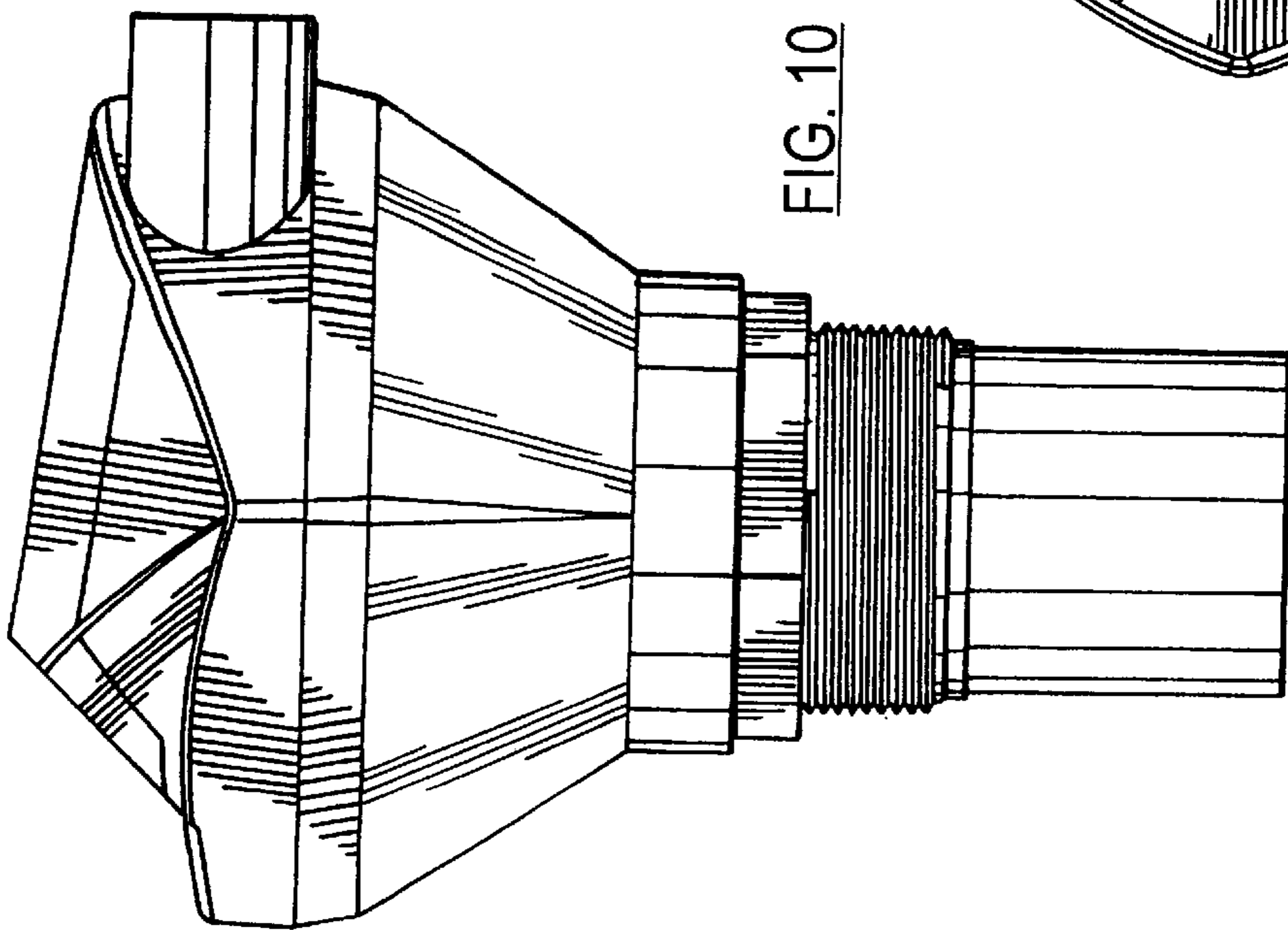


FIG. 10

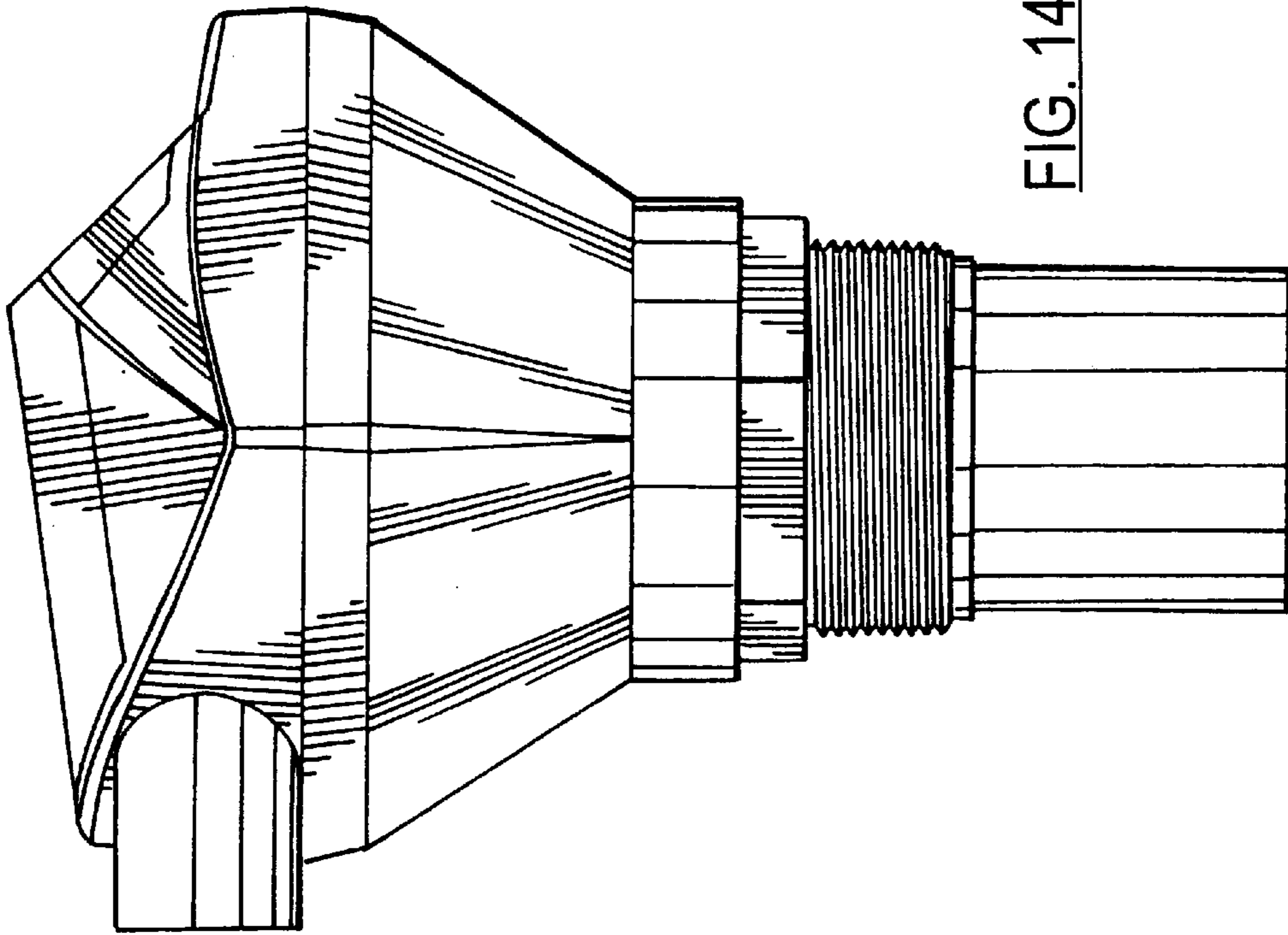


FIG. 14

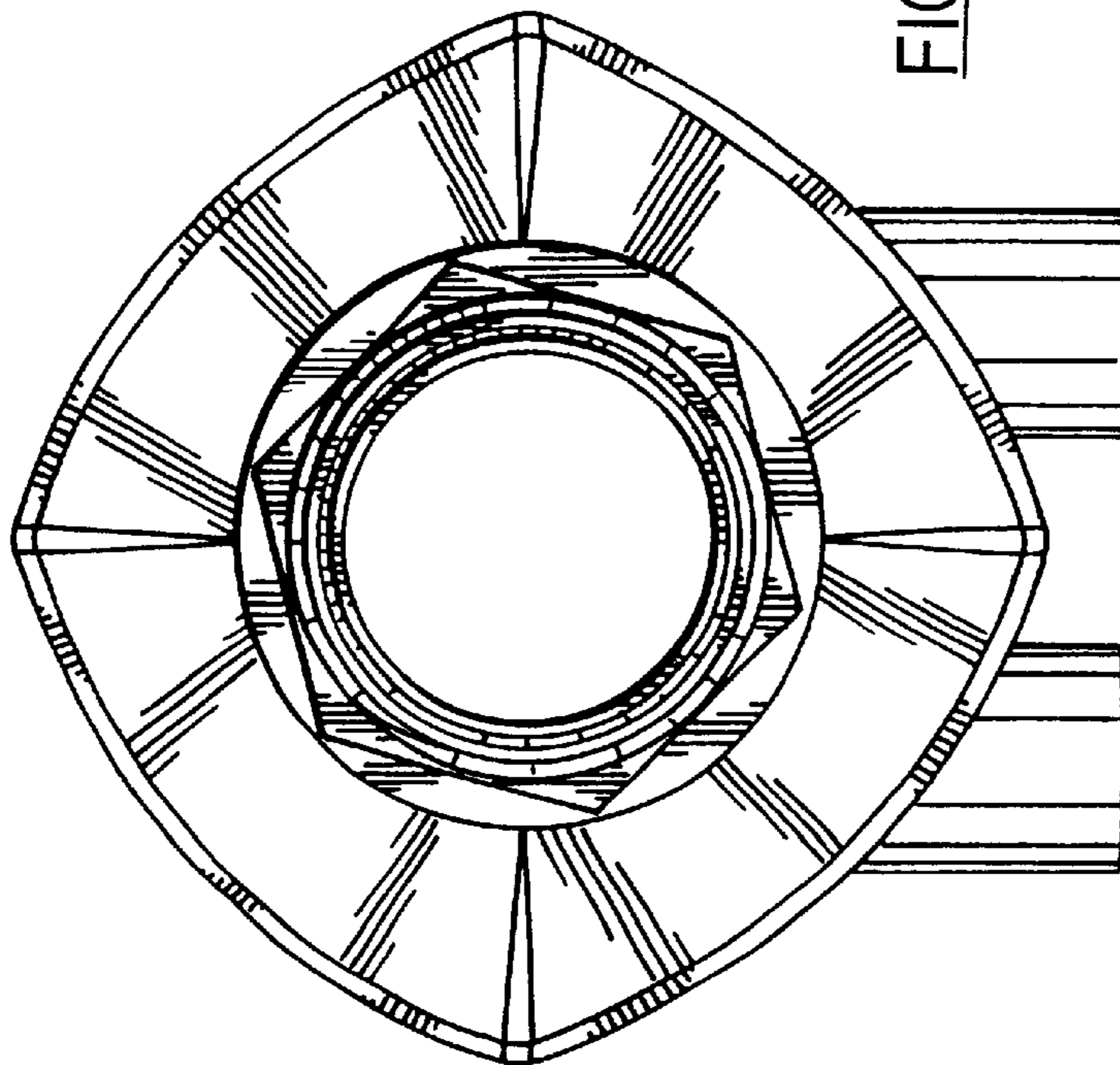


FIG. 13