



US00D467824S

(12) **United States Design Patent**
Svendsen et al.

(10) **Patent No.:** **US D467,824 S**

(45) **Date of Patent:** **** Dec. 31, 2002**

(54) **PORTABLE RECEIVER FOR POSITION MEASUREMENT**

D456,289 S * 4/2002 Laverick D10/65

* cited by examiner

(75) Inventors: **Sean Svendsen**, Columbus, OH (US);
Paul Kolada, Bexley, OH (US);
Jonathan A. Jackson, Centerville, OH (US);
Edmund Pendleton, Arlington, VA (US);
Sean Beliveau, Leesburg, VA (US);
Martha Tracy, New Carlisle, OH (US)

Primary Examiner—Antoine Duval Davis
(74) *Attorney, Agent, or Firm*—Killworth, Gottman, Hagan & Schaeff, LLP

(73) Assignee: **Trimble Navigation Limited**, Sunnyvale, CA (US)

(57) **CLAIM**

The ornamental design for a portable receiver for position measurement, as shown and described.

(**) Term: **14 Years**

DESCRIPTION

(21) Appl. No.: **29/151,429**

FIG. 1 is a front plan view of a portable receiver for position measurement showing our new design;
FIG. 2 is a left side view thereof;
FIG. 3 is a right side view thereof;
FIG. 4 is a bottom view thereof;
FIG. 5 is a top view thereof;
FIG. 6 is rear plan view thereof;
FIG. 7 is a top rear perspective view thereof;
FIG. 8 is a top front perspective view thereof;
FIG. 9 is a bottom rear perspective view thereof; and,
FIG. 10 is a bottom front perspective view thereof.

(22) Filed: **Dec. 4, 2001**

(51) **LOC (7) Cl.** **10-04**

(52) **U.S. Cl.** **D10/65**

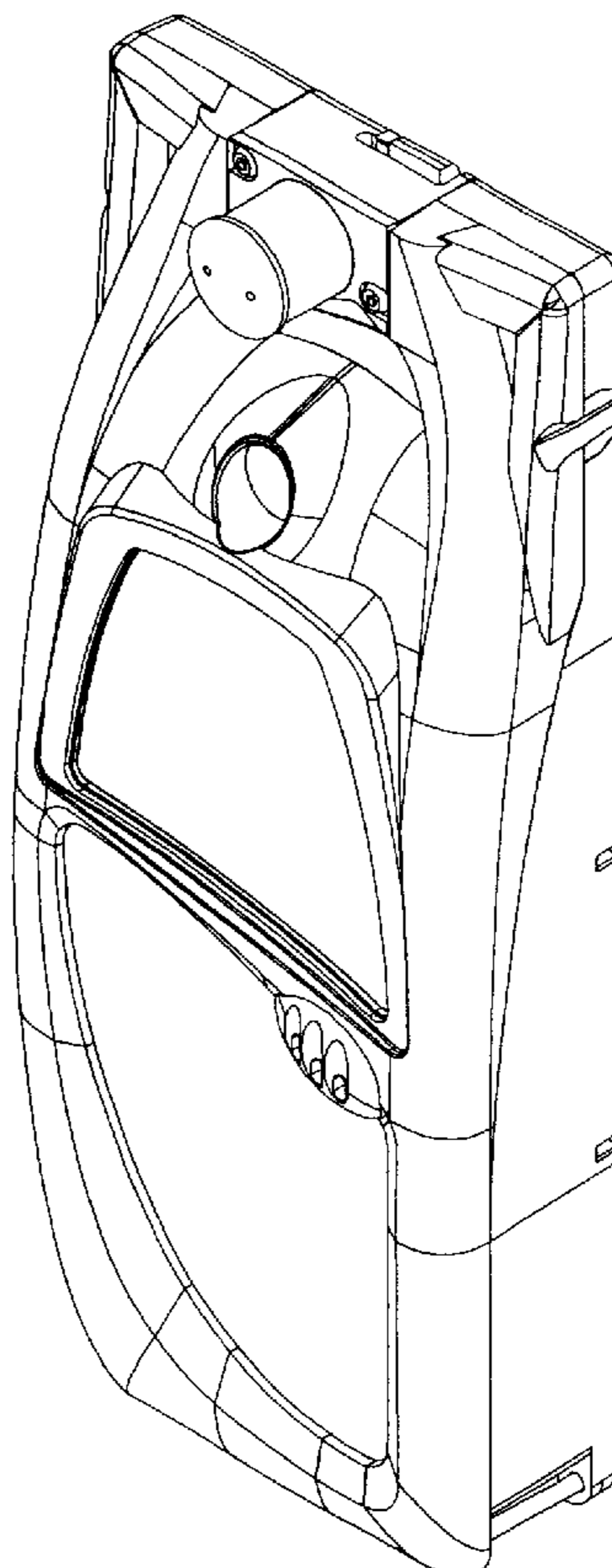
(58) **Field of Search** D10/65; 340/988, 340/539; 342/419, 357, 439, 457; 348/515, 441; 463/46; 701/215, 200, 35, 300

(56) **References Cited**

U.S. PATENT DOCUMENTS

6,112,054 A * 8/2000 Kita 342/357.2

1 Claim, 4 Drawing Sheets



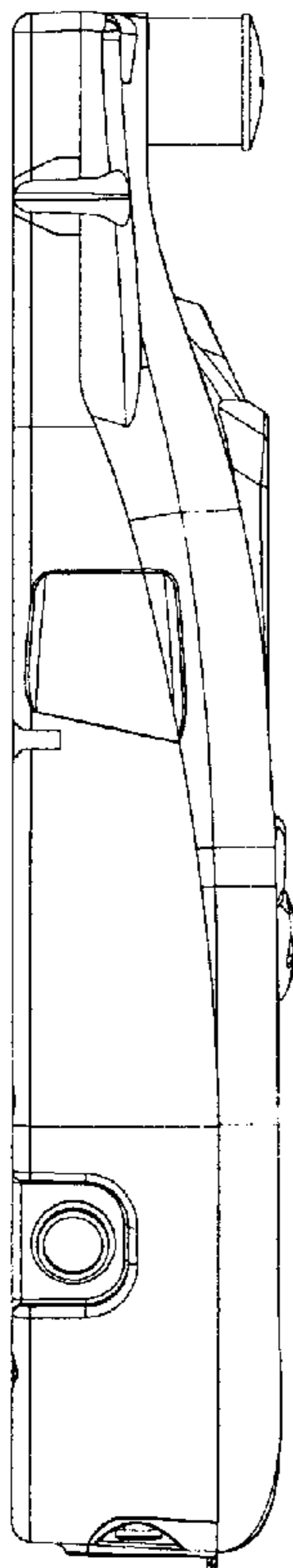


Fig 2

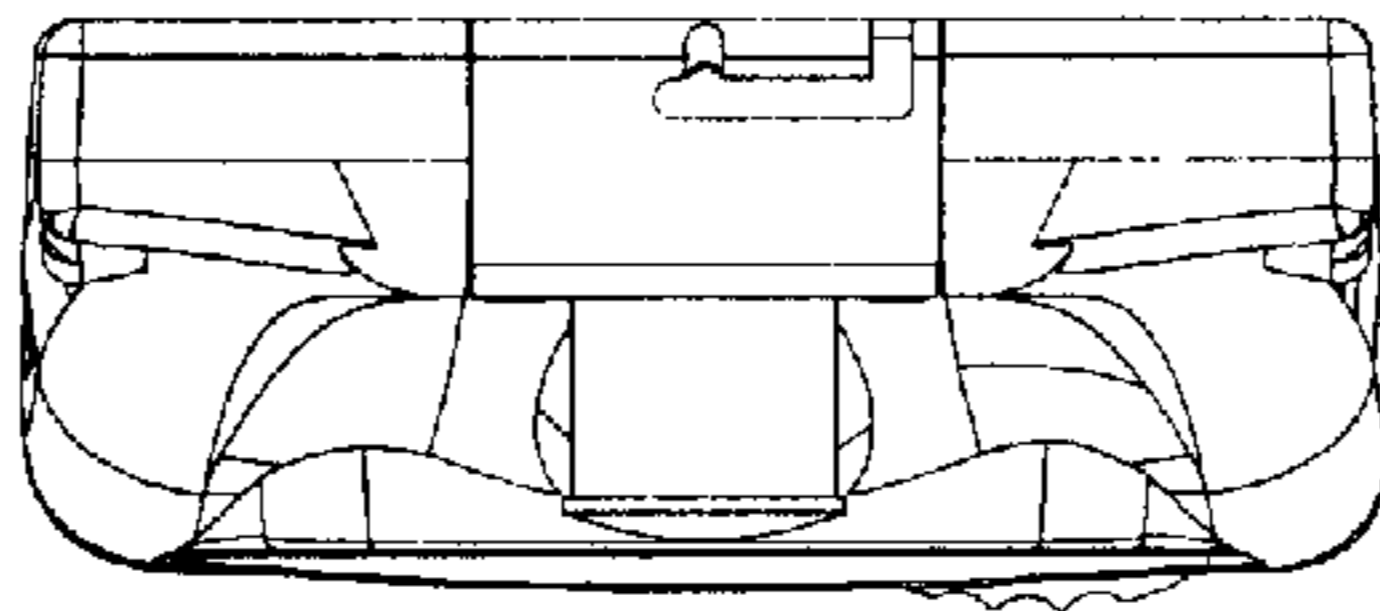


Fig 5

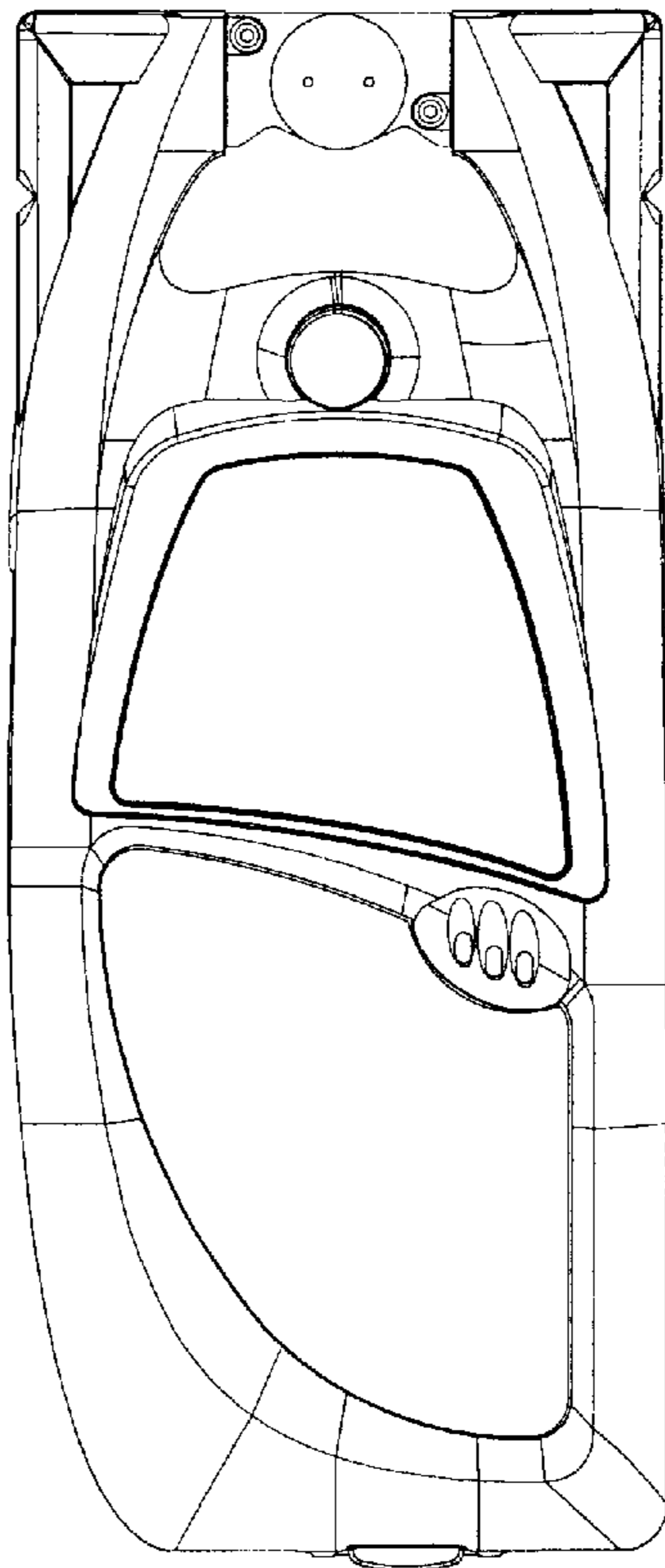


Fig 1

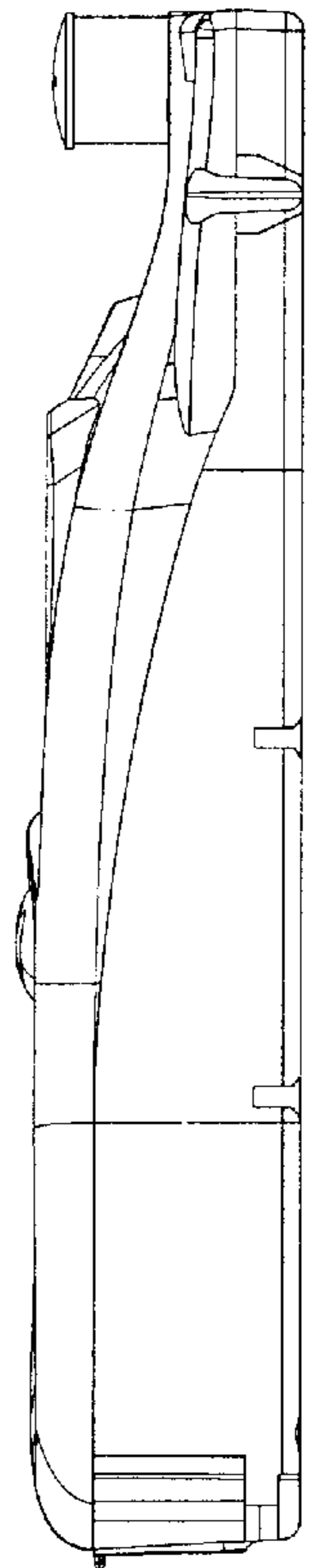


Fig 3

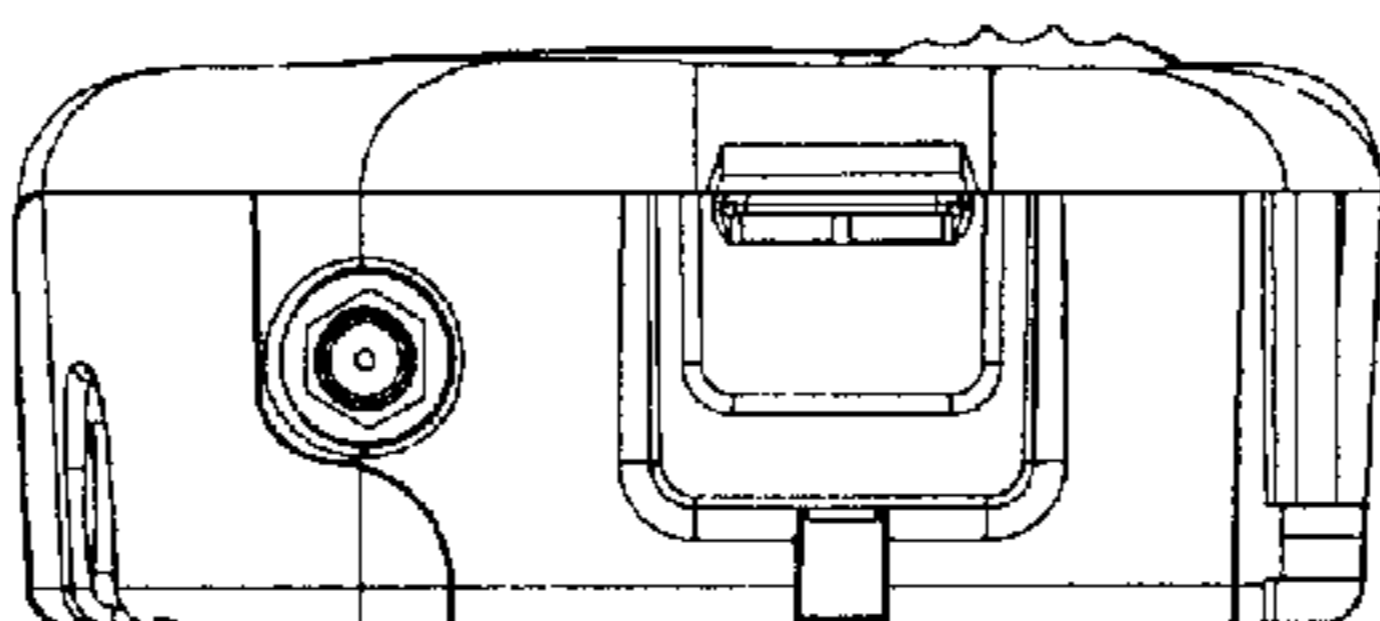


Fig 4

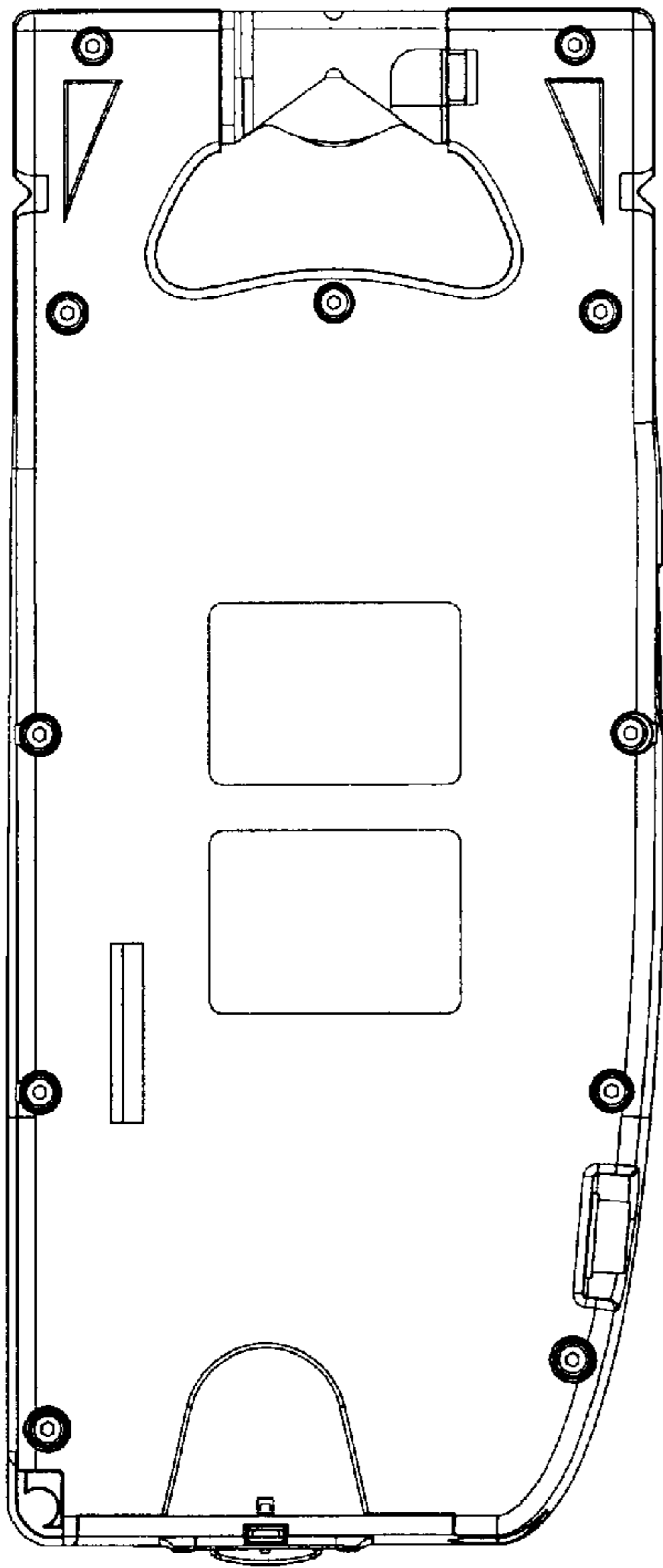


Fig 6

Fig 8

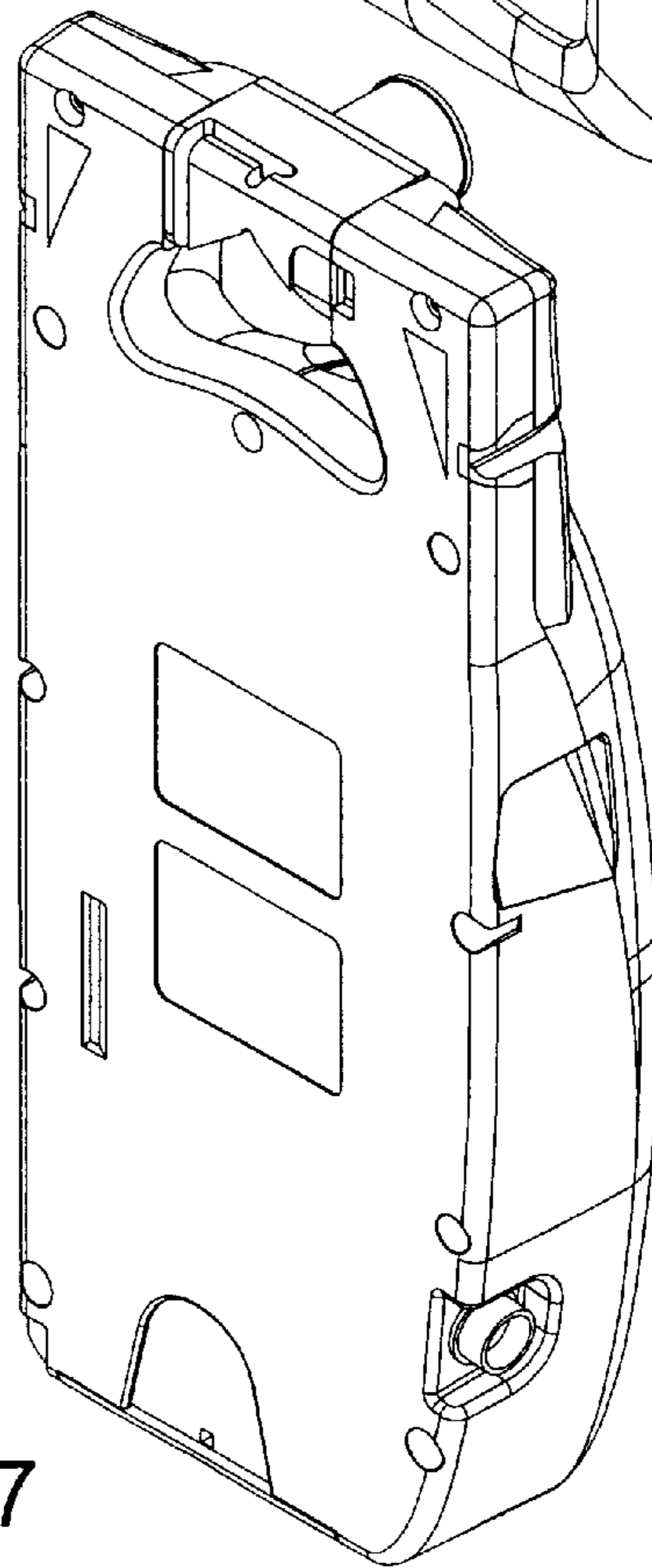
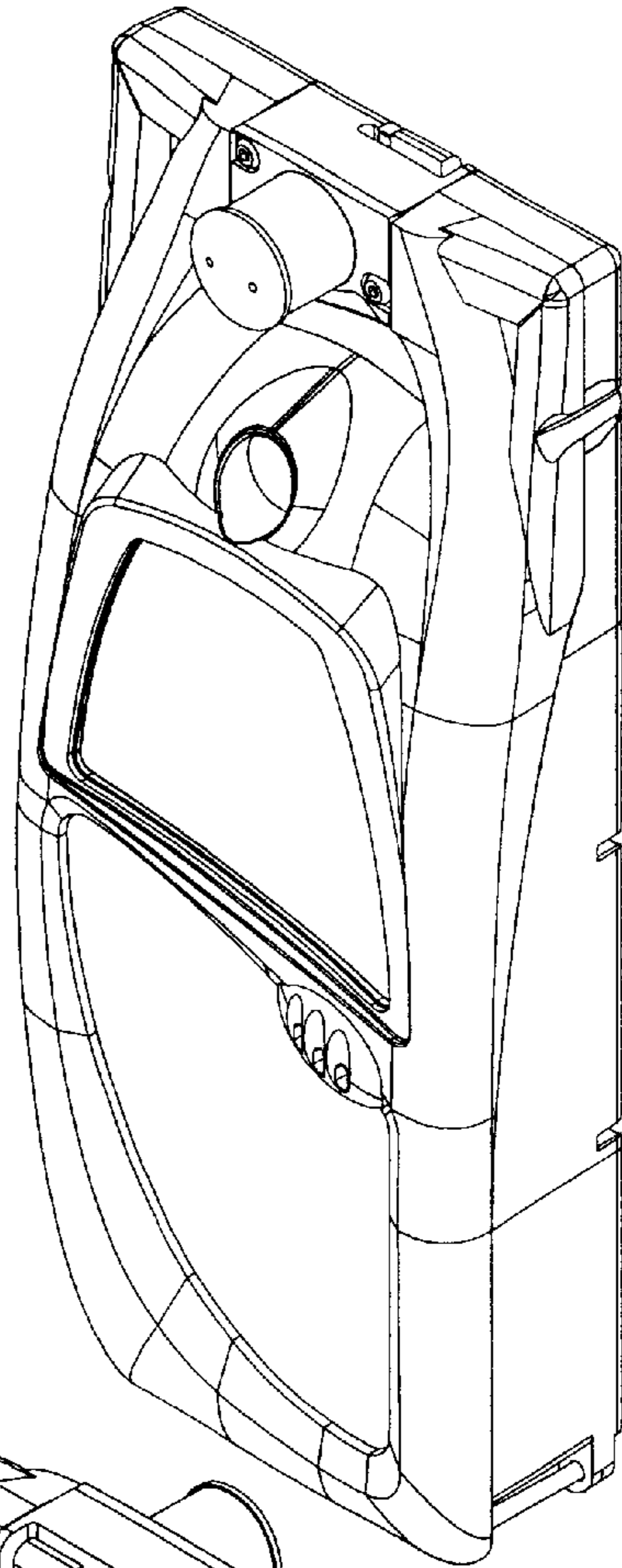


Fig 7

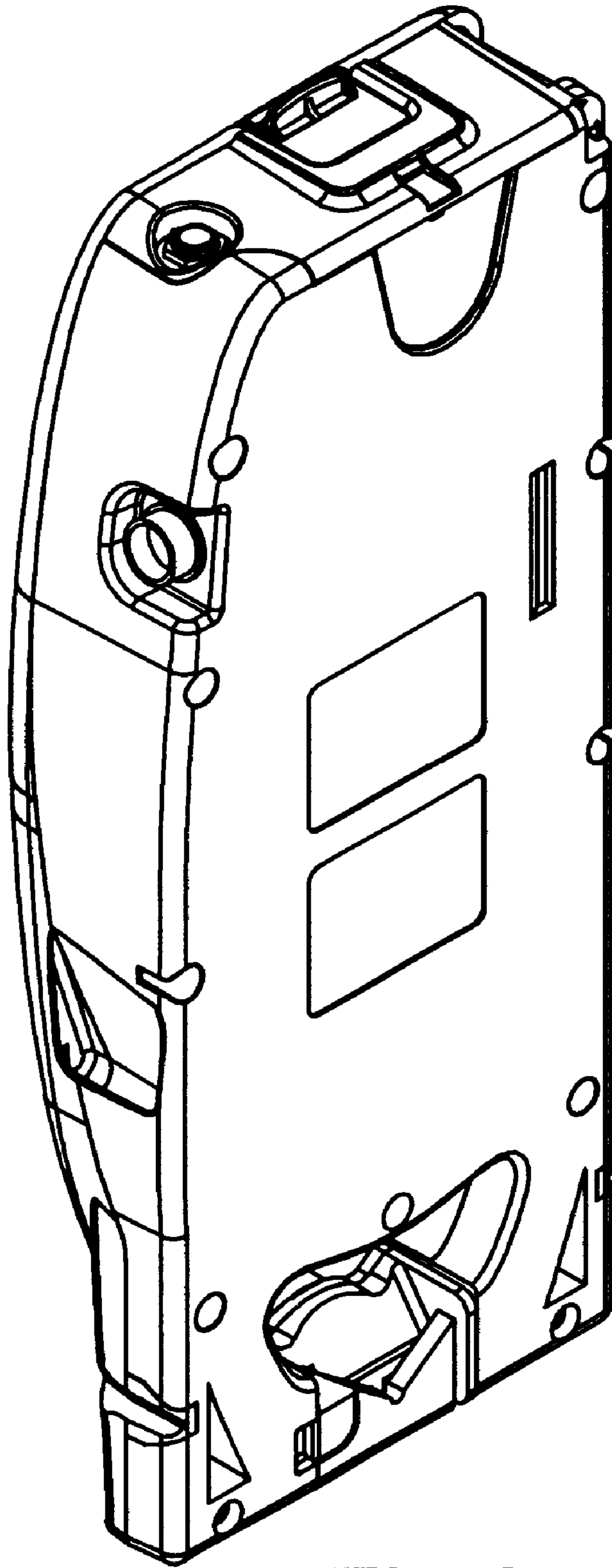


Fig 9

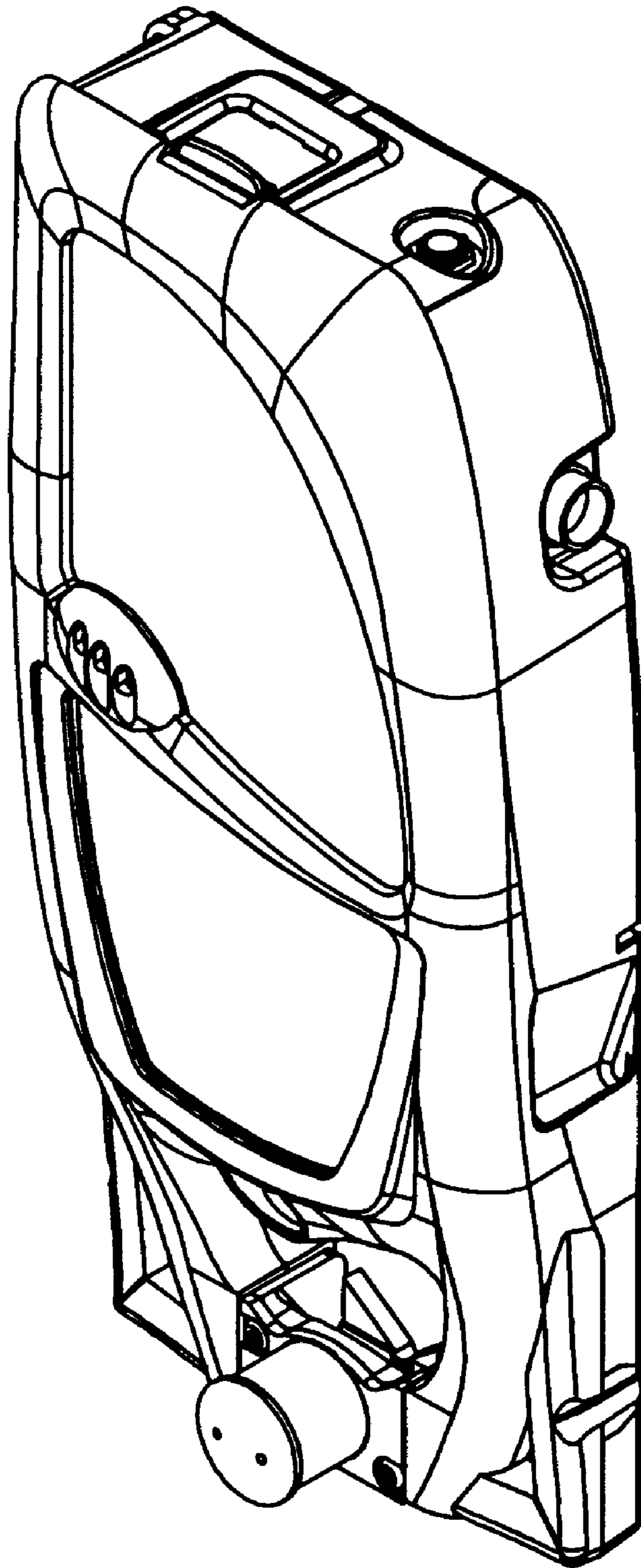


Fig 10