



US00D467818S

(12) **United States Design Patent**  
**Chan**

(10) **Patent No.:** **US D467,818 S**

(45) **Date of Patent:** **\*\* Dec. 31, 2002**

(54) **CLOCK**

D413,146 S \* 8/1999 Moore ..... D19/52  
D435,593 S \* 12/2000 Hellwig et al. .... D19/52

(75) Inventor: **Man-Yan Chan**, Kowloon (CN)

\* cited by examiner

(73) Assignee: **Sunflower Holdings Limited**, Tortola (VG)

*Primary Examiner*—Nelson C. Holtje

(74) *Attorney, Agent, or Firm*—Alix, Yale & Ristas, LLP

(\*\*) Term: **14 Years**

(57) **CLAIM**

(21) Appl. No.: **29/157,999**

The ornamental design for a clock, as shown and described.

(22) Filed: **Mar. 27, 2002**

**DESCRIPTION**

(51) **LOC (7) Cl.** ..... **10-01**

(52) **U.S. Cl.** ..... **D10/25; D10/26**

(58) **Field of Search** ..... D10/1-40, 122-132;  
D19/52; 368/276-277, 285, 316-317; D20/10,  
20

FIG. 1 is a perspective view of a clock;  
FIG. 2 is a front elevational view thereof;  
FIG. 3 is a right side elevational view;  
FIG. 4 is a top plan view thereof;  
FIG. 5 is a rear elevational view thereof;  
FIG. 6 is a left side elevational view thereof; and,  
FIG. 7 is a bottom plan view thereof.

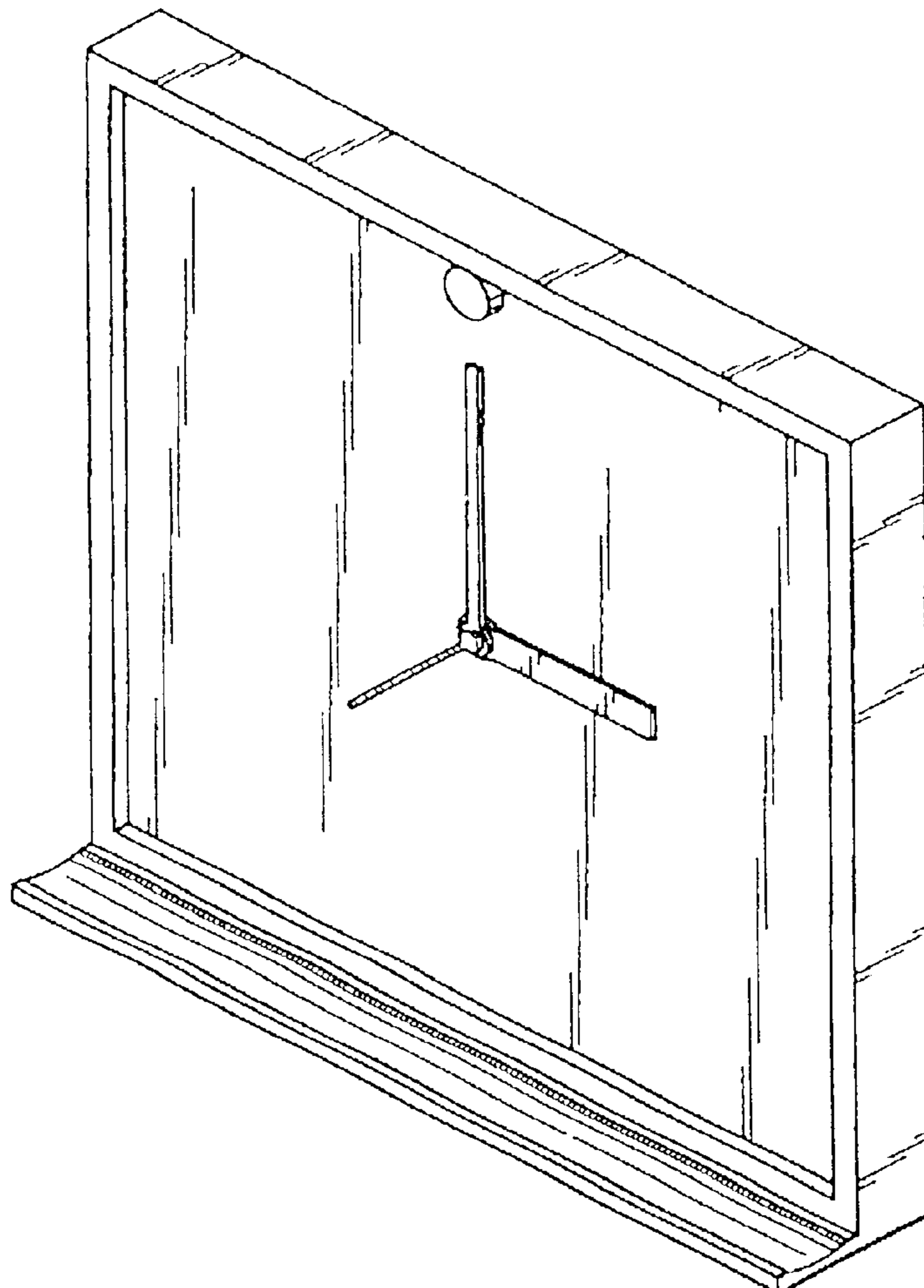
(56) **References Cited**

The relative positions of the three hands of the clock form no part of the claimed design. The illustrated positions of the hands are intended to be representative of numerous possible relative hand positions.

**U.S. PATENT DOCUMENTS**

D290,936 S \* 7/1987 Hill ..... D10/25  
D313,431 S \* 1/1991 Jaskiel, Jr. et al. .... D20/10  
D346,965 S \* 5/1994 Wolff ..... D10/1

**1 Claim, 3 Drawing Sheets**



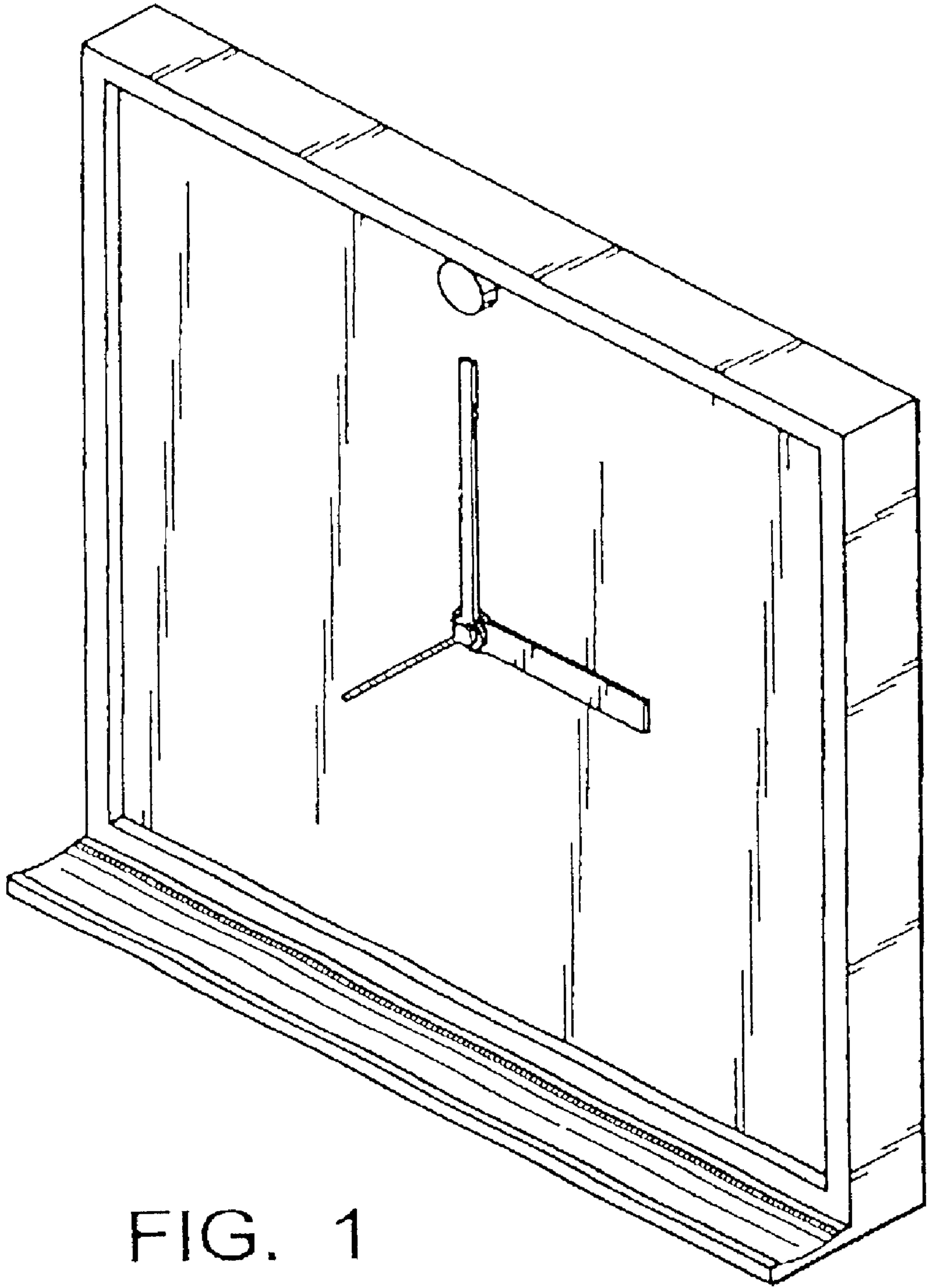


FIG. 1

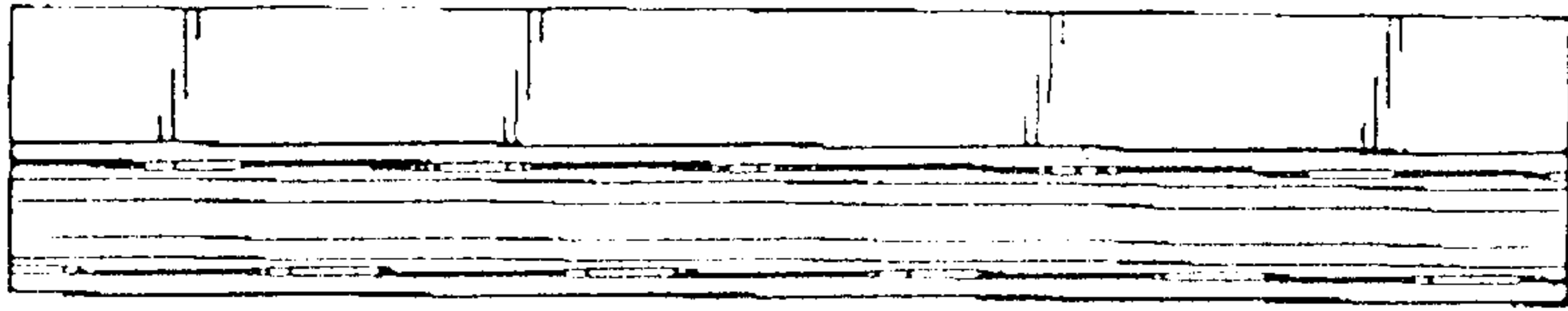


FIG. 4

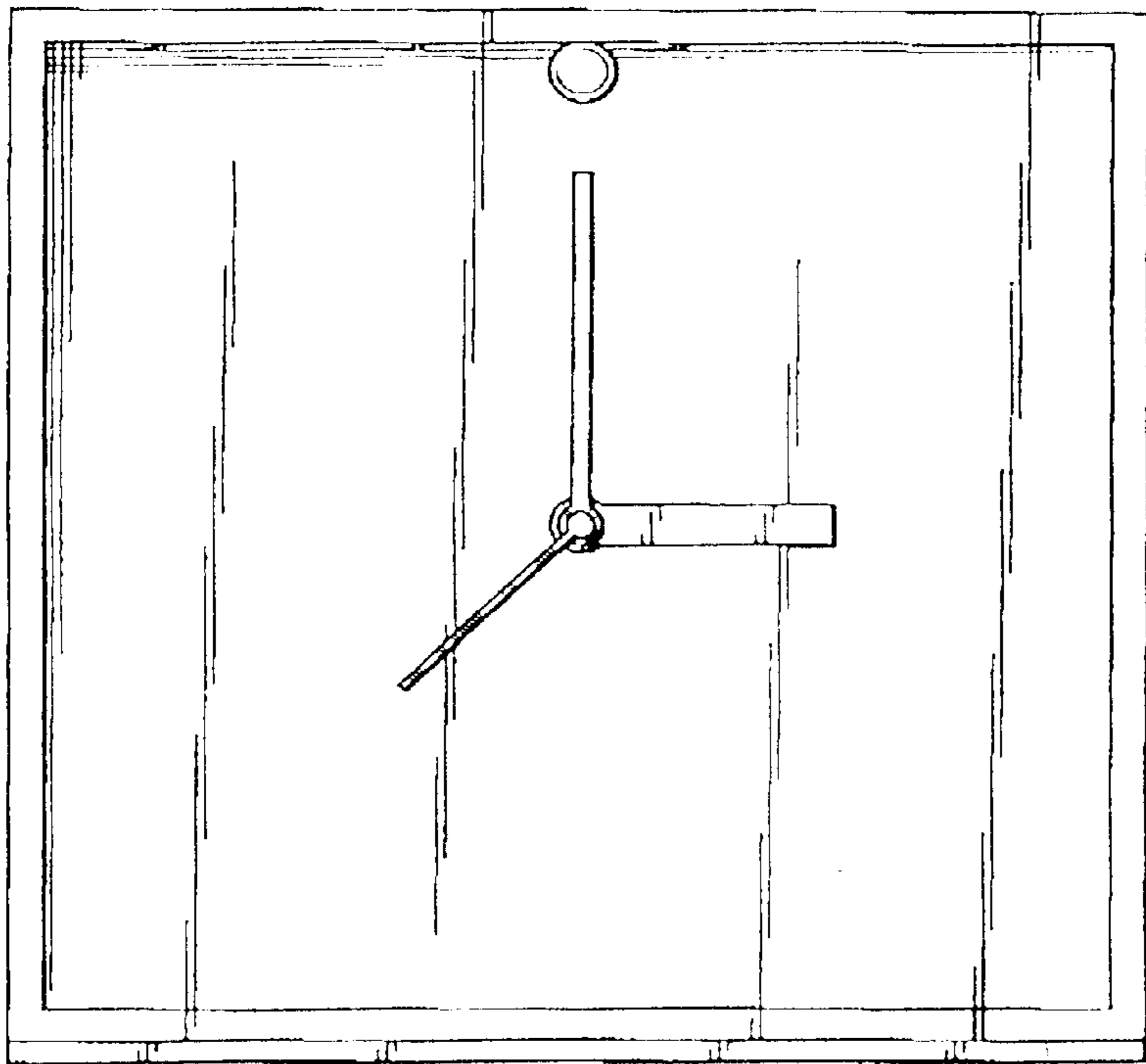


FIG. 2

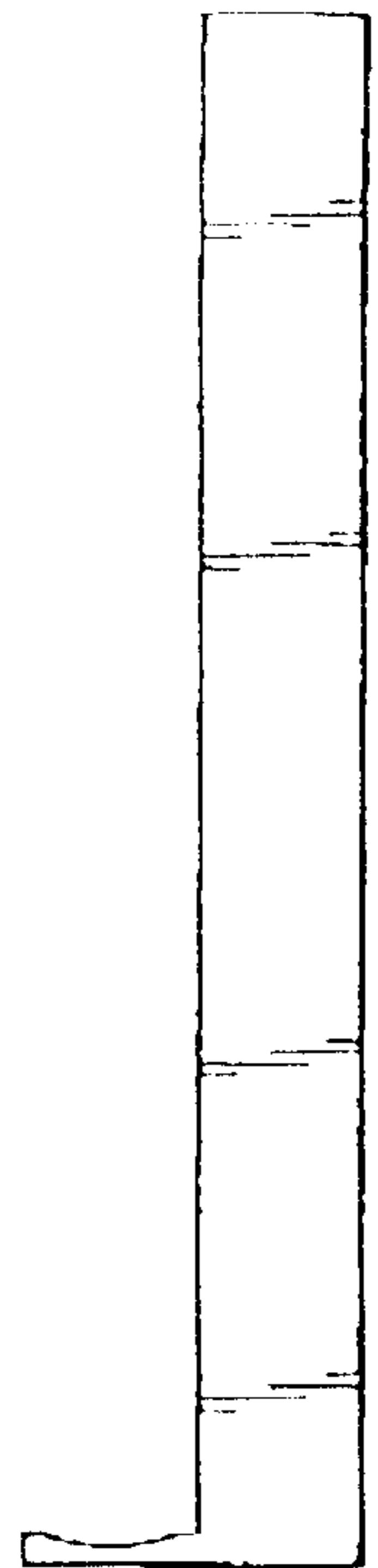


FIG. 3

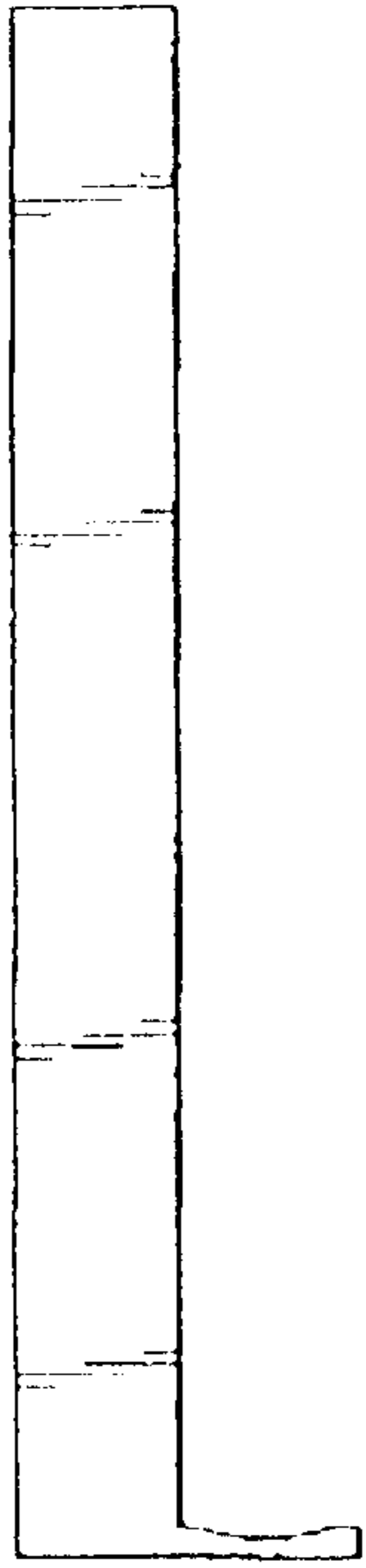


FIG. 6

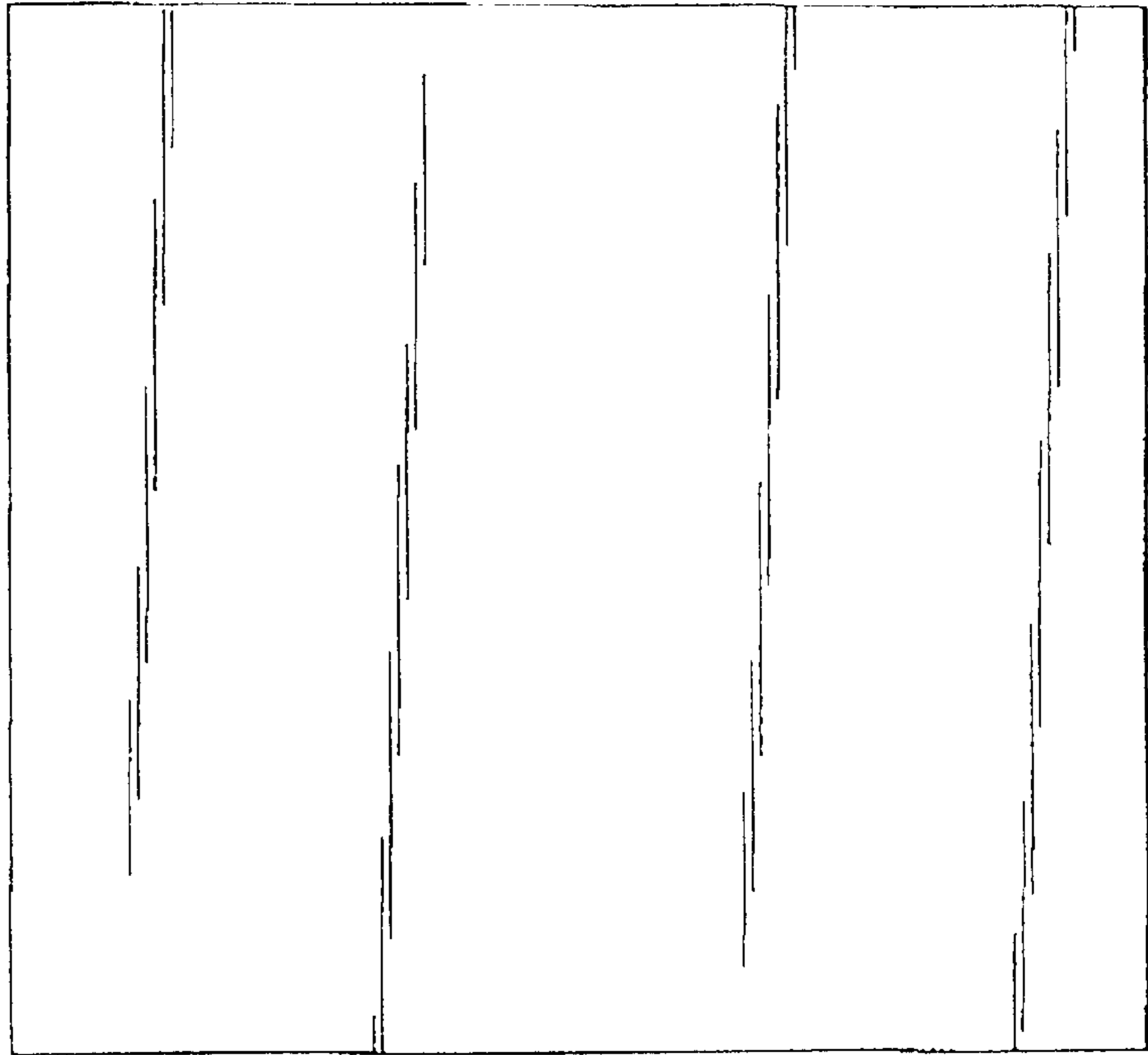


FIG. 5

FIG. 7

