



US00D467812S

(12) **United States Design Patent**
Roberts et al.

(10) **Patent No.:** **US D467,812 S**

(45) **Date of Patent:** **** Dec. 31, 2002**

(54) **BOTTLE**

(75) Inventors: **Kenneth L. Roberts**, Rockford, MI
(US); **Samuel N. Hansen**, Jenison, MI
(US)

(73) Assignee: **BISSELL Homecare, Inc.**, Grand
Rapids, MI (US)

(**) Term: **14 Years**

(21) Appl. No.: **29/144,382**

(22) Filed: **Jun. 29, 2001**

(51) **LOC (7) Cl.** **09-01**

(52) **U.S. Cl.** **D9/530; D9/516; D9/575;**
D24/121

(58) **Field of Search** D3/202; D7/306;
D9/516, 523, 526-528, 531, 537-538, 541,
543, 549, 551, 556-558, 569, 570, 574-575;
D24/121, 224; 215/382-384, 396, 398,
400; D32/25, 30, 45; D6/542

(56) **References Cited**

U.S. PATENT DOCUMENTS

D117,295 S	*	10/1939	Smith	D9/523
D207,128 S	*	3/1967	Kelly	D9/528
D222,249 S	*	10/1971	Lucas	D23/207
D240,698 S	*	7/1976	Durkee	D32/30
D242,526 S	*	11/1976	Carre	D9/523
D273,939 S	*	5/1984	Bennett	D9/523 X

D274,128 S	*	6/1984	Bennett	D9/523 X
D278,886 S	*	5/1985	Kanfer	D9/523
D286,928 S		11/1986	Fitzwater		
D296,668 S	*	7/1988	Stavish	D9/523 X
D320,911 S	*	10/1991	Carlson	D9/523 X
5,115,946 A	*	5/1992	Libit	222/211 X
5,299,608 A		4/1994	Bosyj		
D375,565 S	*	11/1996	Autrey et al.	D24/224
D388,708 S	*	1/1998	Monaghan	D9/523
D406,351 S	*	3/1999	Yamazaki et al.	D24/224
6,109,480 A	*	8/2000	Monsrud et al.	222/83
D453,595 S	*	2/2002	Stephens et al.	D32/30
6,357,627 B1	*	3/2002	Pasbrig et al.	222/83 X

* cited by examiner

Primary Examiner—Mitchell Siegel

Assistant Examiner—Carol Rademaker

(74) *Attorney, Agent, or Firm*—McGarry Bair LLP

(57) **CLAIM**

The ornamental design for a bottle, as shown and described.

DESCRIPTION

FIG. 1 is a perspective view of a design for a bottle embodying our new design.

FIG. 2 is a top view thereof.

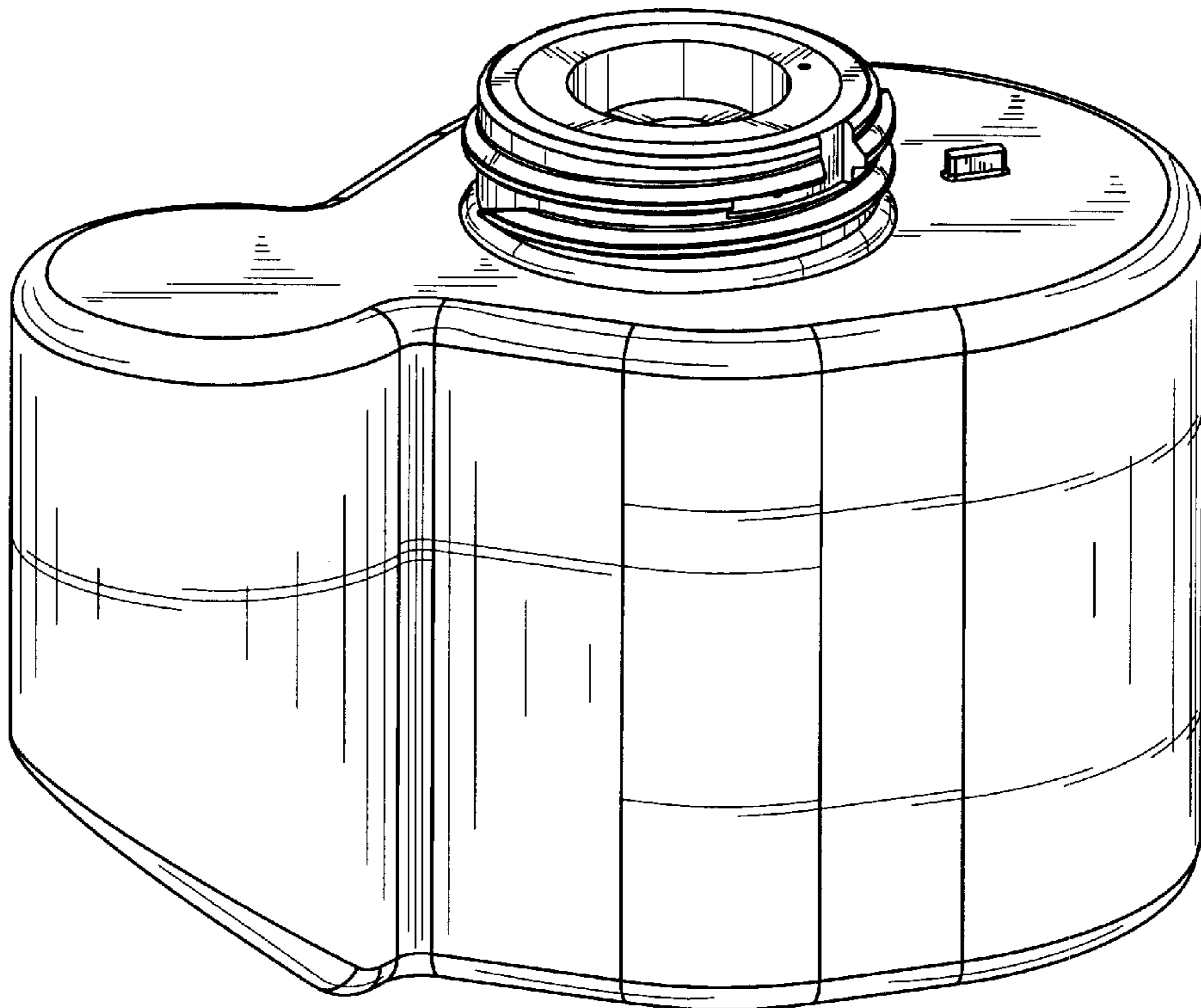
FIG. 3 is a left side view thereof.

FIG. 4 is a right side view thereof.

FIG. 5 is a front view thereof; and,

FIG. 6 is a rear view thereof.

1 Claim, 6 Drawing Sheets



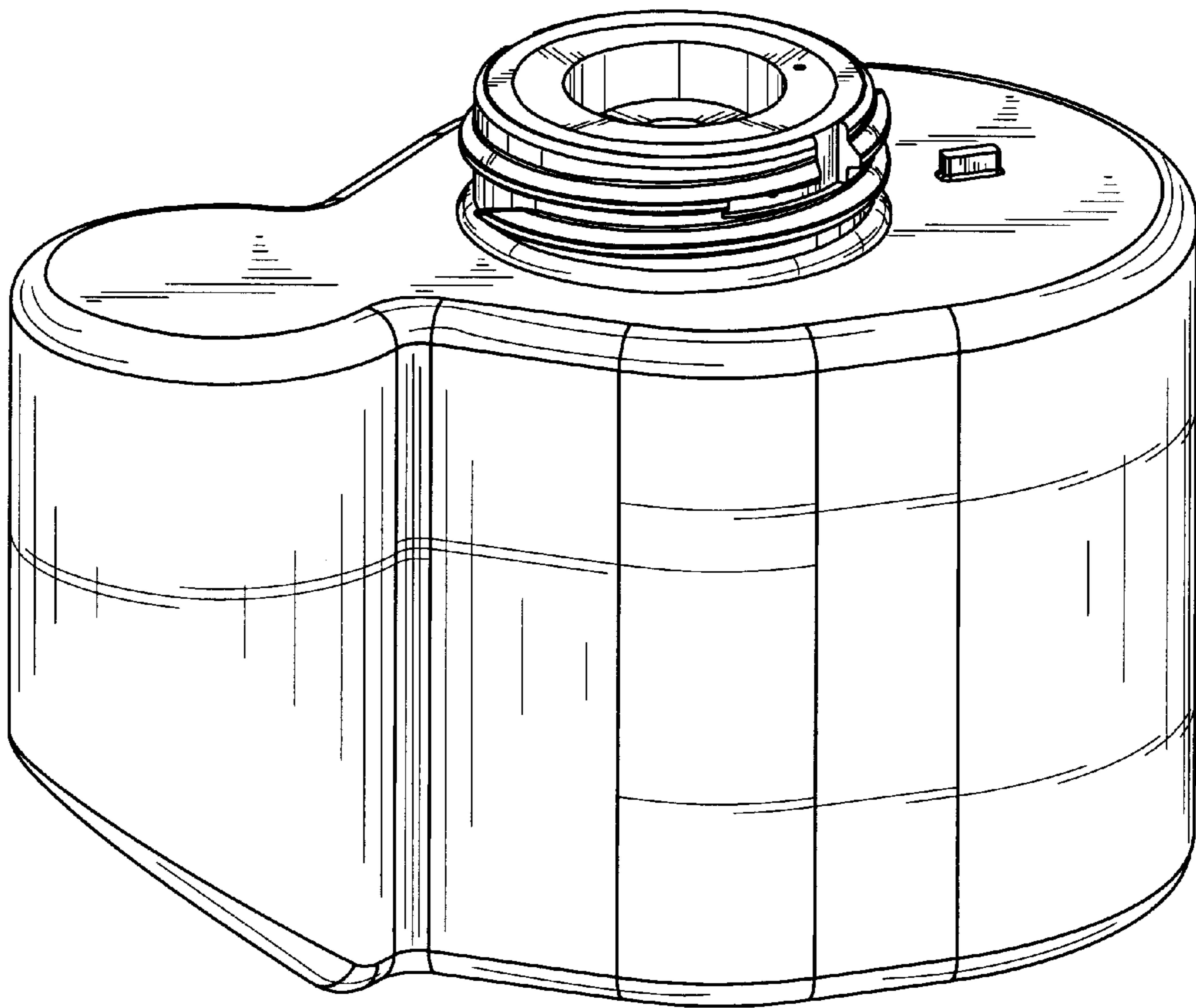


Fig. 1

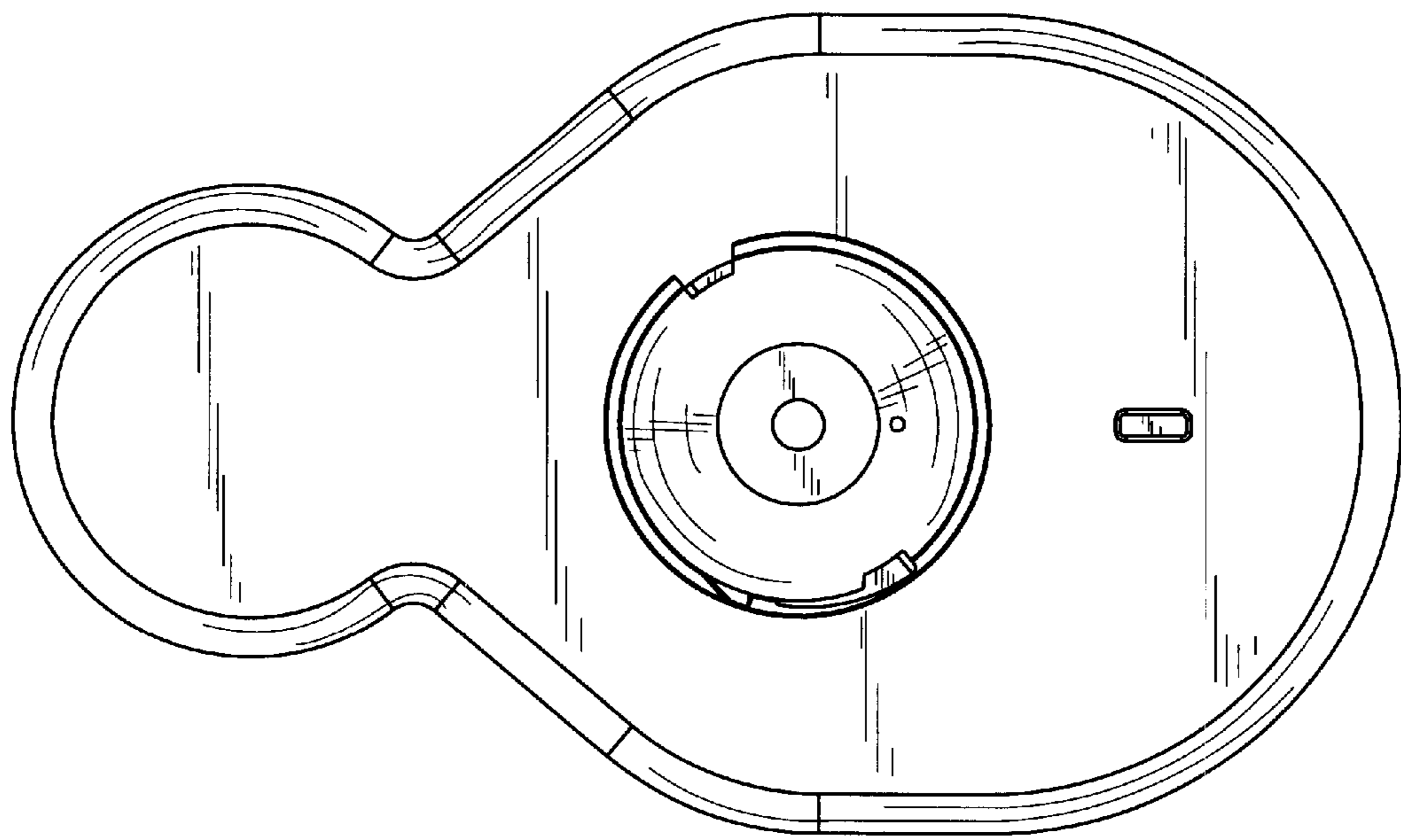


Fig. 2

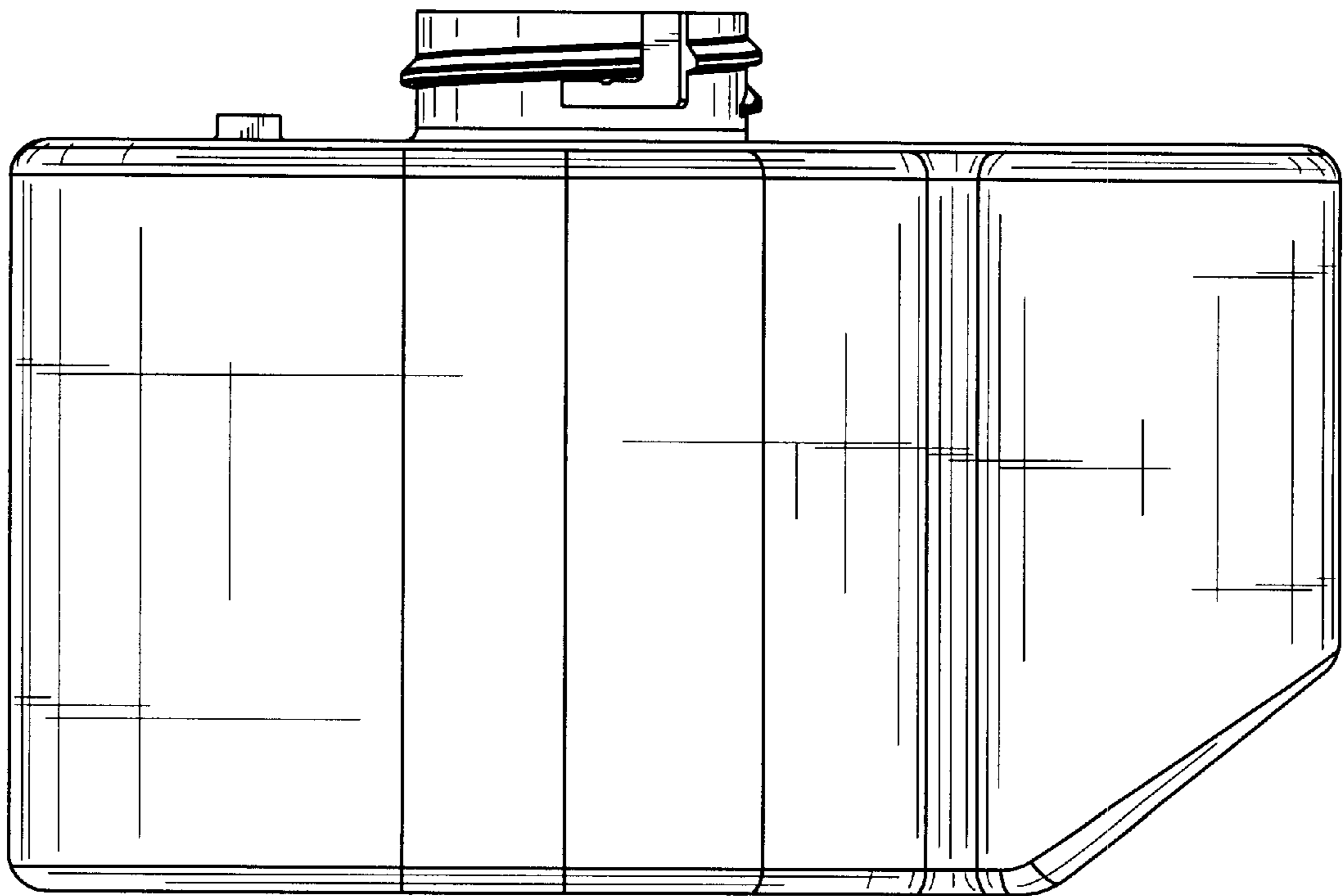


Fig. 3

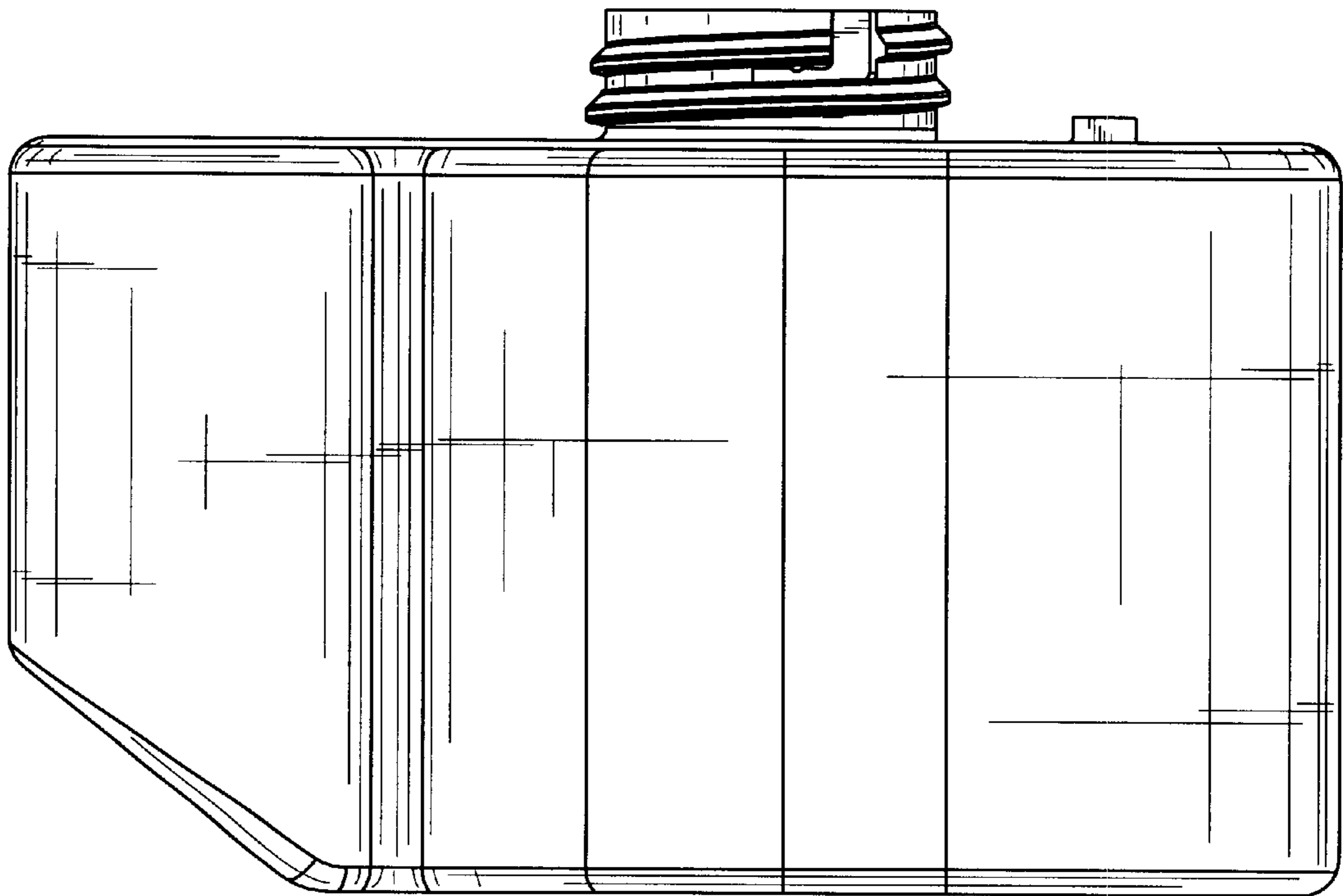


Fig. 4

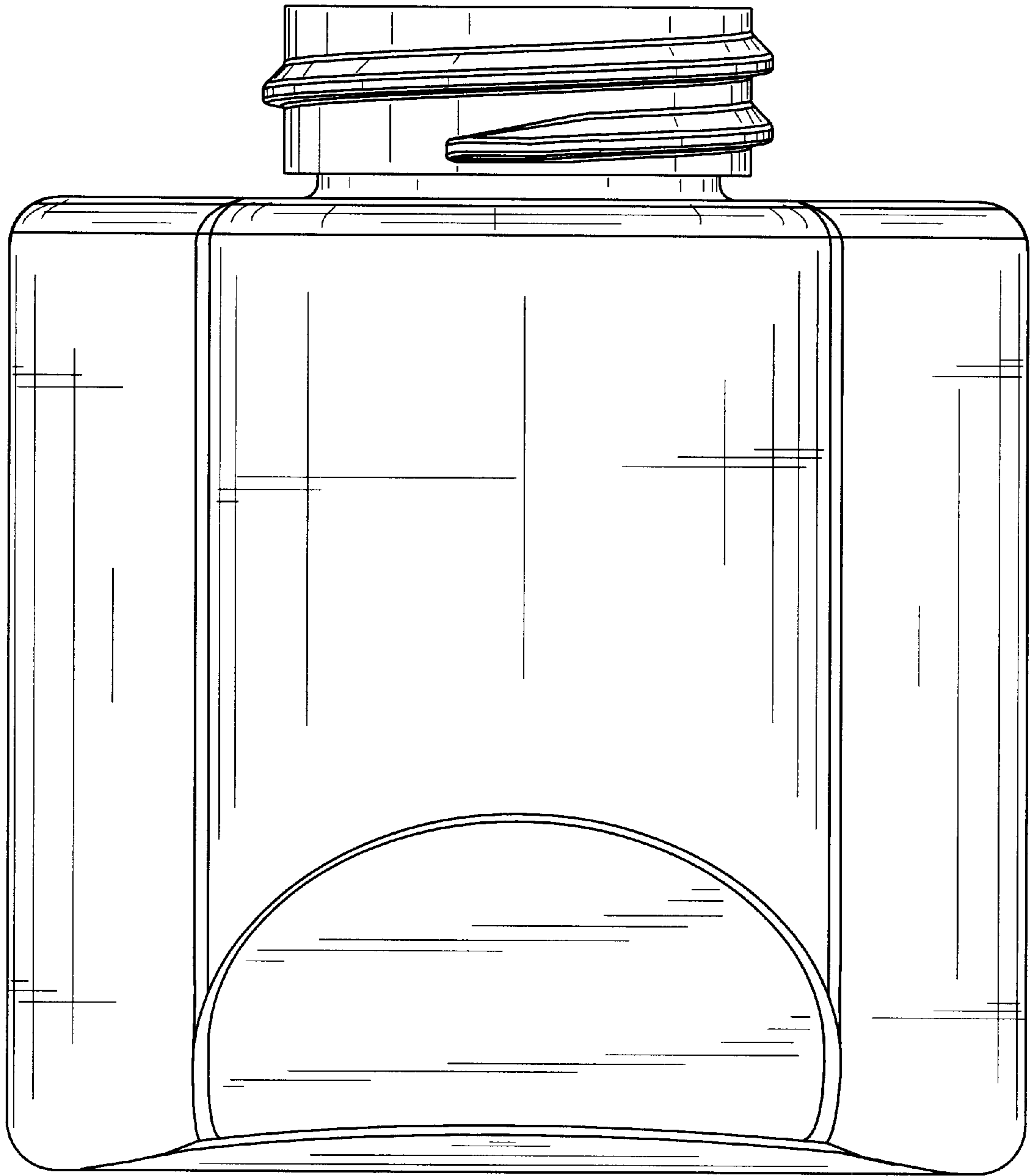


Fig. 5

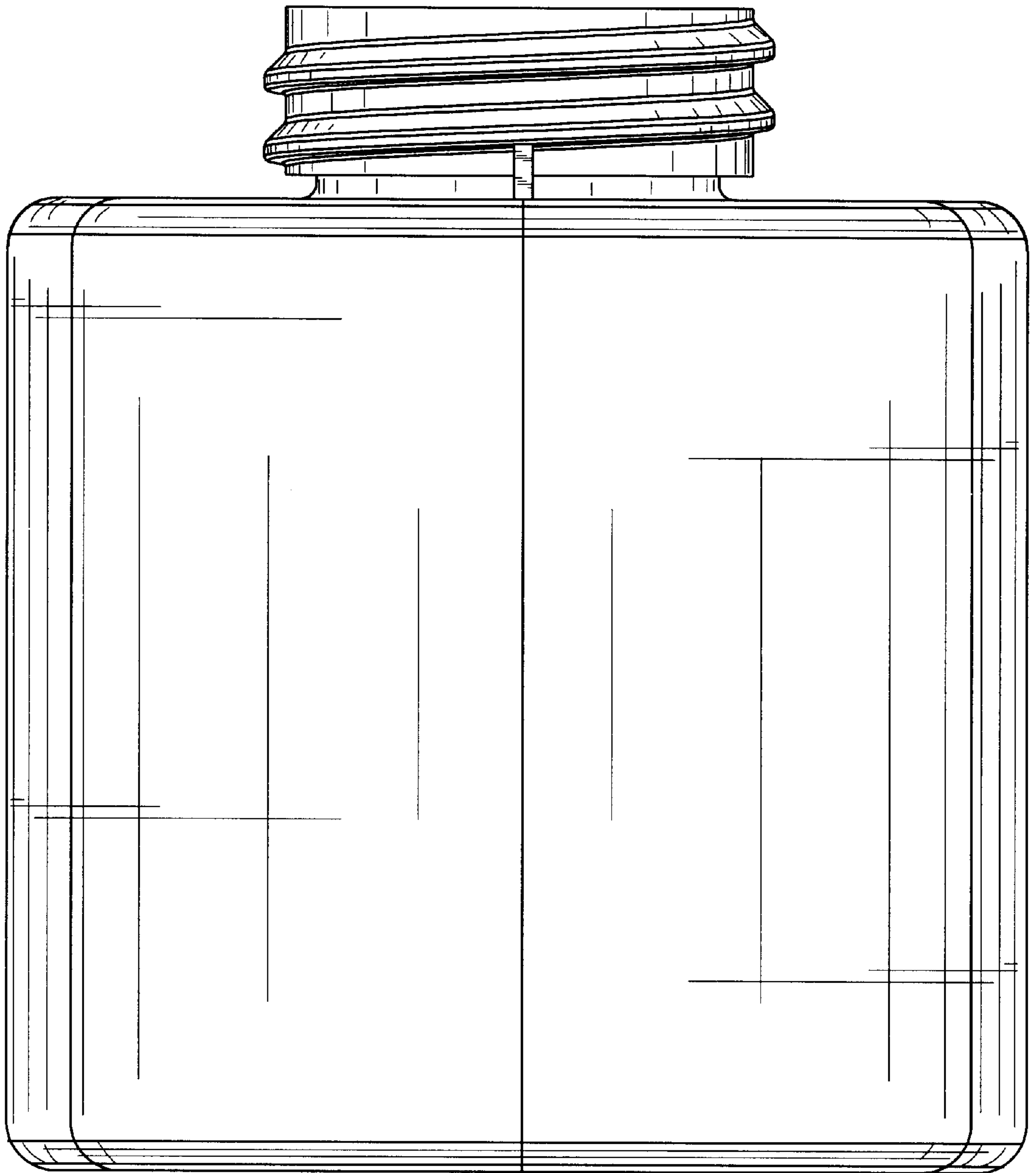


Fig. 6