



US00D467811S

(12) **United States Design Patent**
Slater et al.

(10) **Patent No.:** **US D467,811 S**

(45) **Date of Patent:** **** Dec. 31, 2002**

(54) **CONTAINER WITH COVER**

(75) Inventors: **Owen Slater**, Chicago, IL (US); **Jill Hunt**, Lakewood, OH (US); **John Van Akkeren**, Chicago, IL (US)

(73) Assignee: **Thermos L.L.C.**, Schaumburg, IL (US)

(**) Term: **14 Years**

(21) Appl. No.: **29/144,775**

(22) Filed: **Jul. 10, 2001**

(51) **LOC (7) Cl.** **09-01**

(52) **U.S. Cl.** **D9/529; D9/551; D9/556; D9/557**

(58) **Field of Search** D9/300, 500, 503, D9/504, 513, 516, 519, 529, 549, 558, 551, 556, 559, 564, 569, 574, 575; D3/203, 205, 273, 901; D6/512, 524; D19/93-95; D7/511; D28/91.1, 73-76, 82; 215/381-383, 396, 398, 10, 6, 12.1-12.2

(56) **References Cited**

U.S. PATENT DOCUMENTS

D44,463 S	*	8/1913	Ackermann	D9/502
D206,244 S	*	11/1966	Coy	D9/523
D207,927 S	*	6/1967	Johnson et al.	D9/551
D248,373 S	*	7/1978	Allen	D9/503
D266,391 S	*	10/1982	Jordon	D7/608
D285,657 S	*	9/1986	Poore	D9/504
D322,753 S	*	12/1991	Sussman	D9/504
D350,460 S	*	9/1994	Picozza et al.	D7/629
D363,642 S	*	10/1995	Goto et al.	D7/511
D370,153 S	*	5/1996	Chaney et al.	D7/511

D399,429 S	*	10/1998	Ramsey	D9/539
D426,696 S	*	6/2000	Cayouette	D3/205
D441,648 S	*	5/2001	Gidlund et al.	D9/424

FOREIGN PATENT DOCUMENTS

GB 2099745 * 3/2001

* cited by examiner

Primary Examiner—Ted Shooman

Assistant Examiner—Carol Rademaker

(74) *Attorney, Agent, or Firm*—Wood, Phillips, Katz, Clark & Mortimer

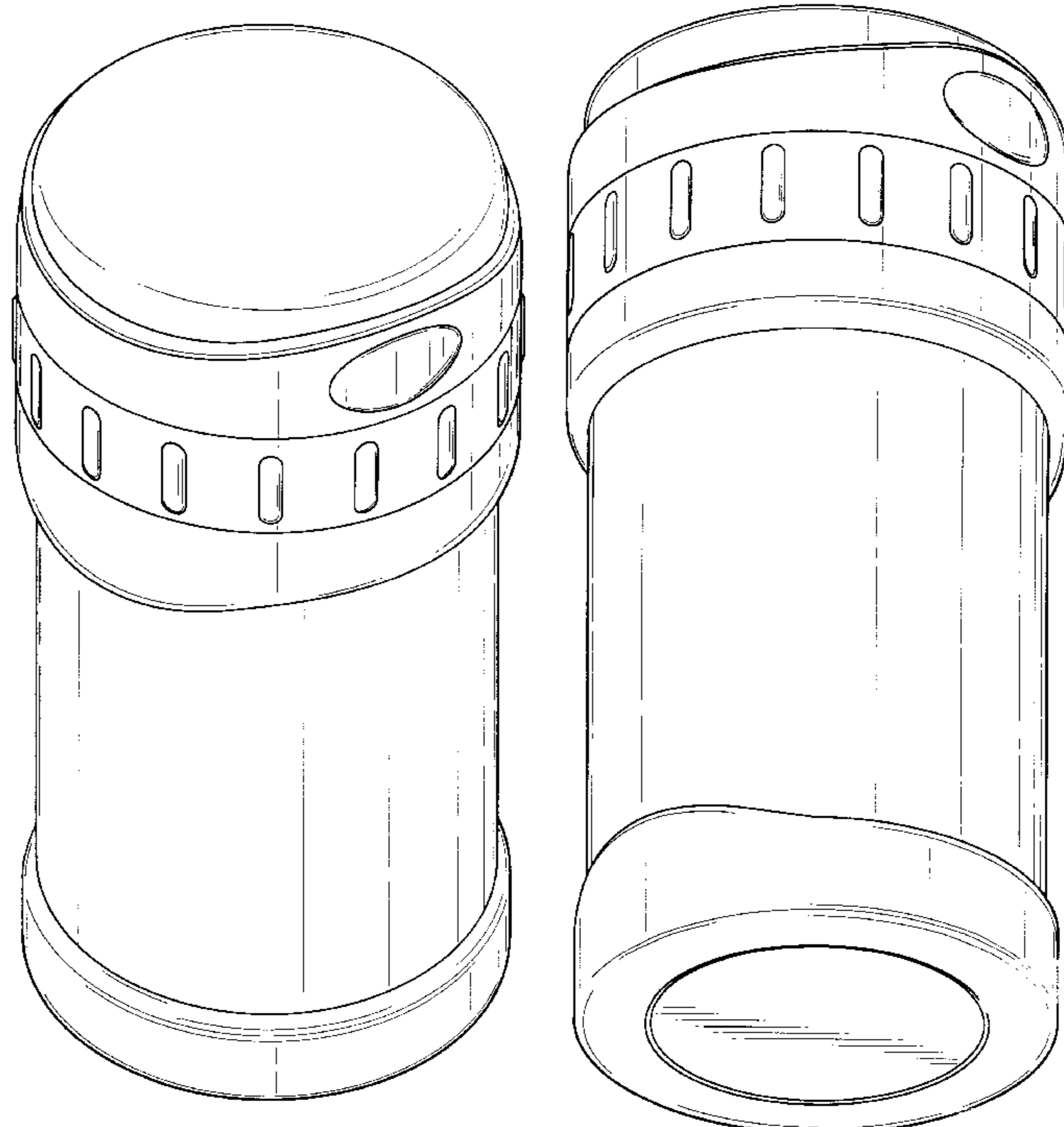
(57) **CLAIM**

The ornamental design of a container with cover, as shown and described.

DESCRIPTION

FIG. 1 is a perspective view of our container with cover Design taken from above and to the right side thereof;
 FIG. 2 is a perspective view of our container with cover Design taken from the lower left side thereof;
 FIG. 3 is a front elevation of our container with cover Design;
 FIG. 4 is a left side elevation of our container with cover Design;
 FIG. 5 is a right side elevation of our container with cover Design;
 FIG. 6 is a rear elevation of our container with cover Design;
 FIG. 7 is a plan view of our container with cover Design; and,
 FIG. 8 is a bottom view of our container with cover Design.

1 Claim, 5 Drawing Sheets



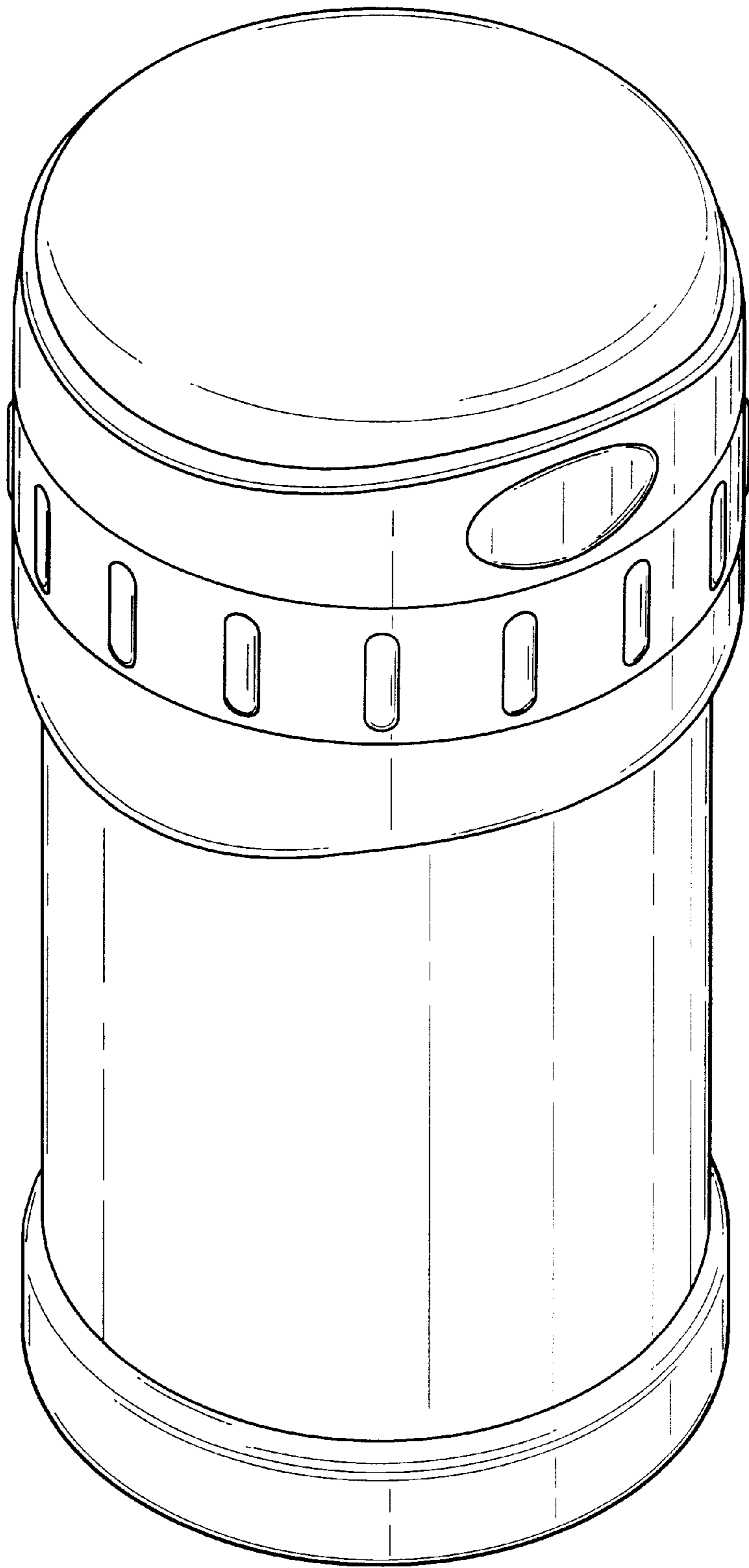


Fig. 1

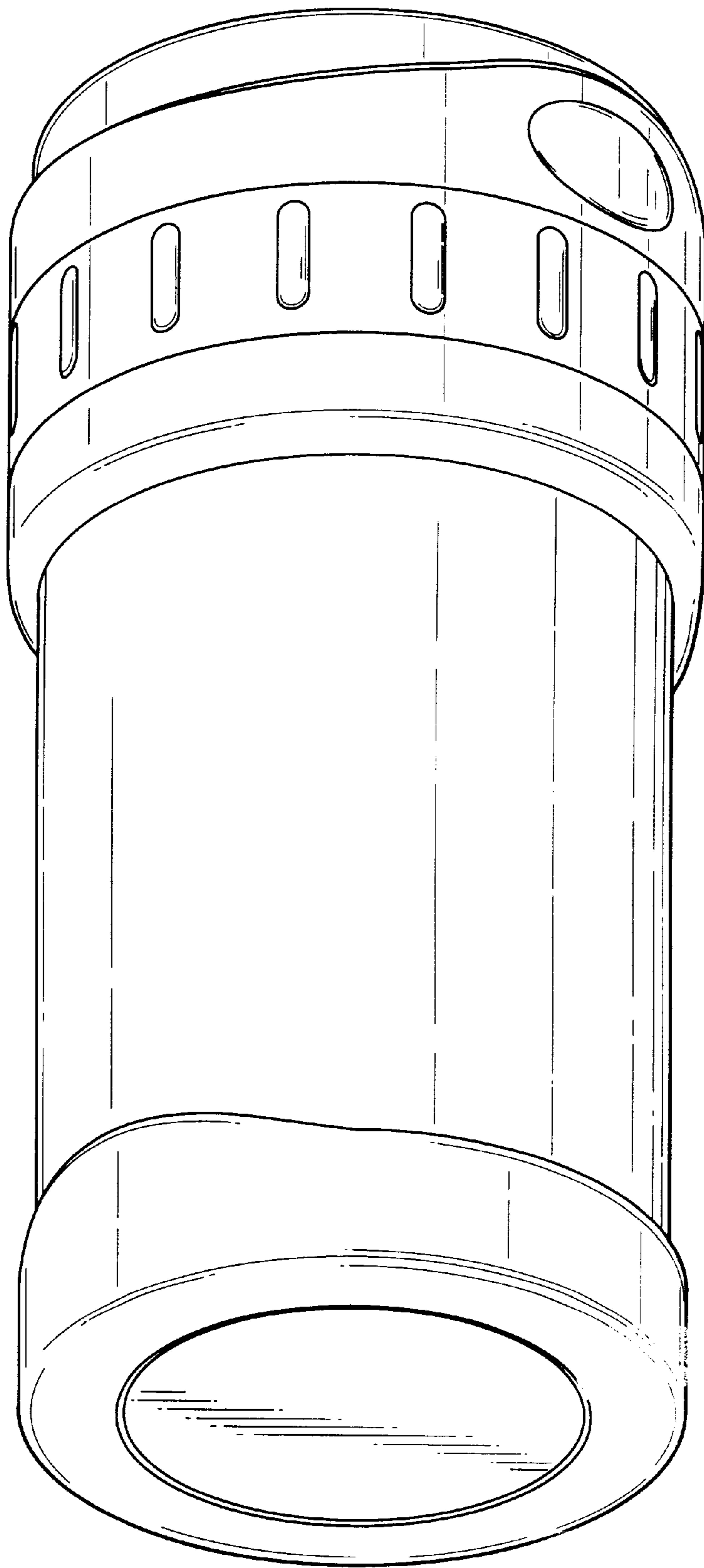


Fig. 2

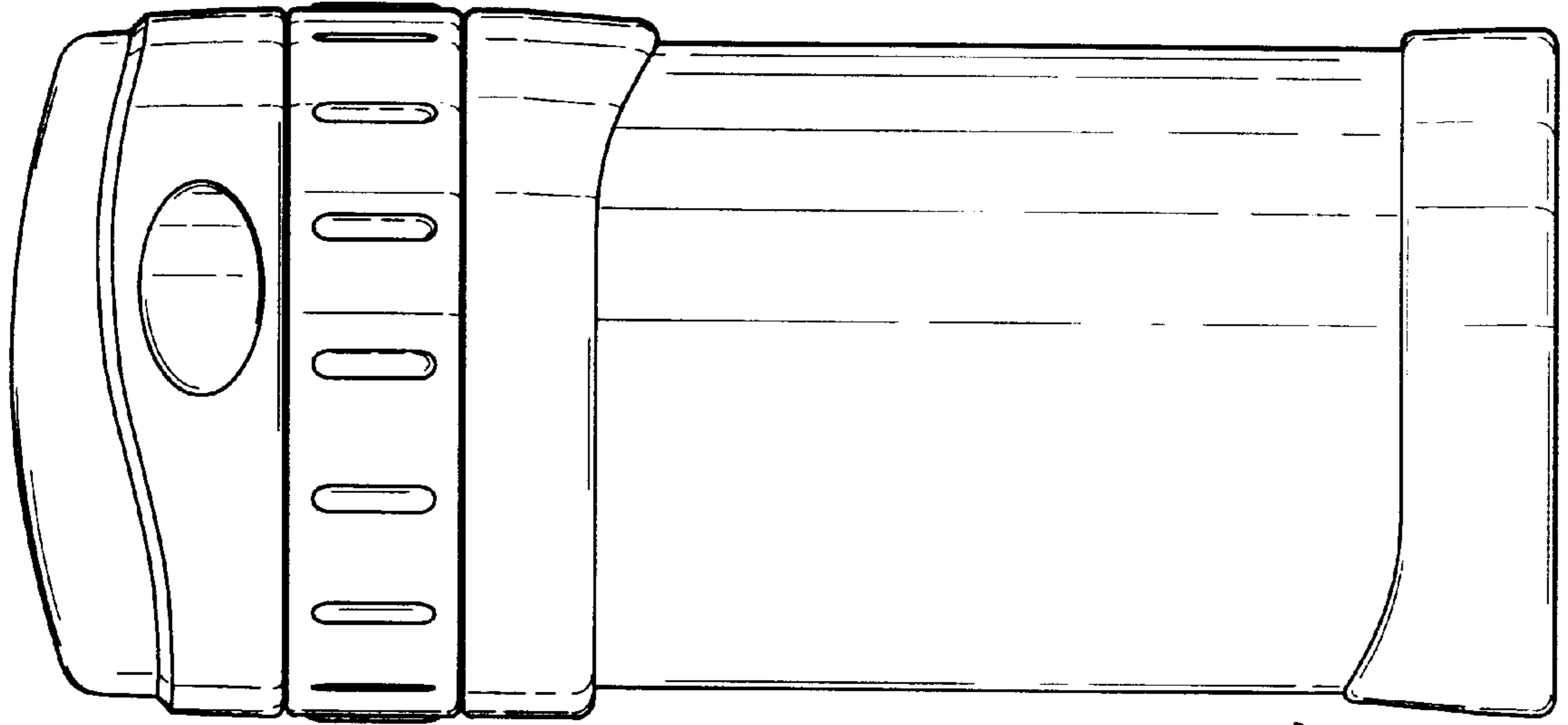


Fig. 4

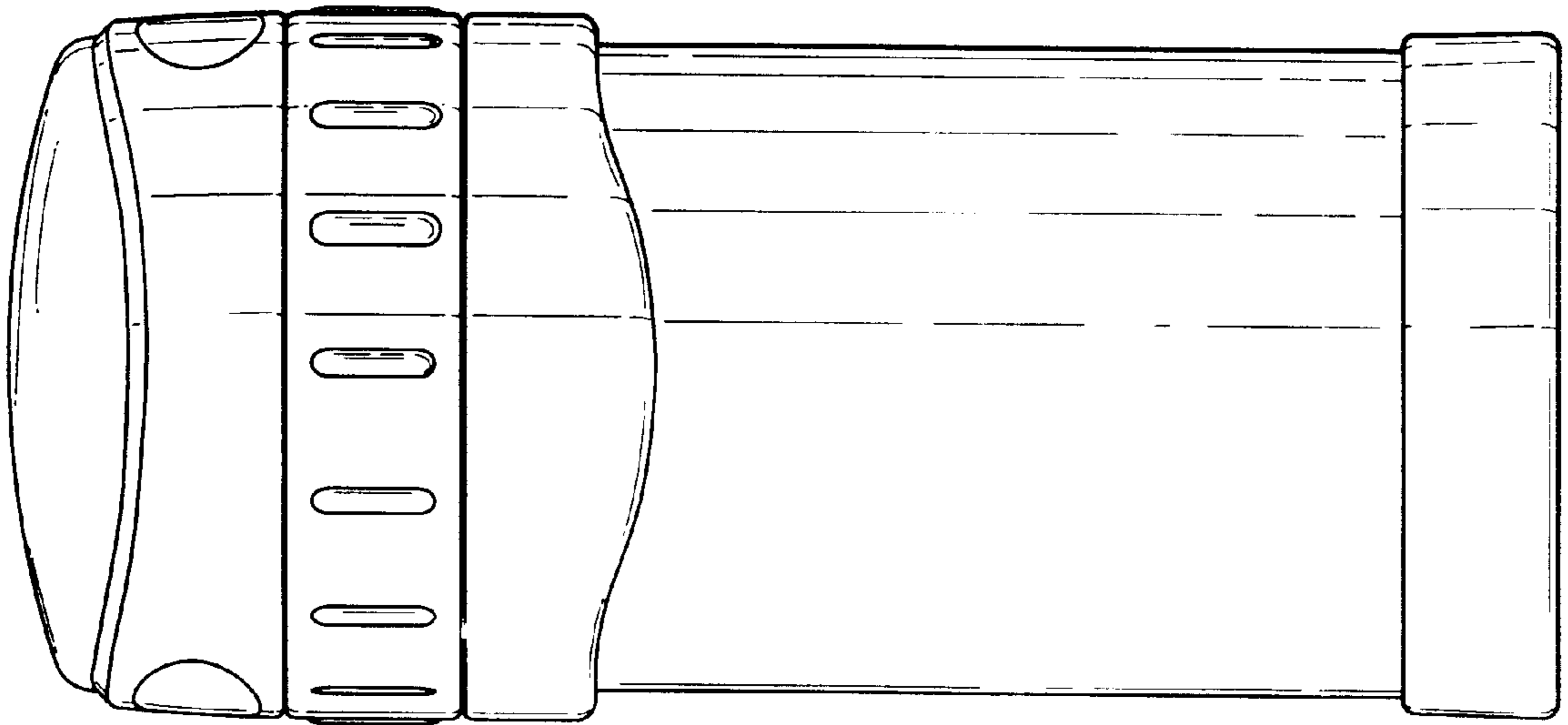


Fig. 3

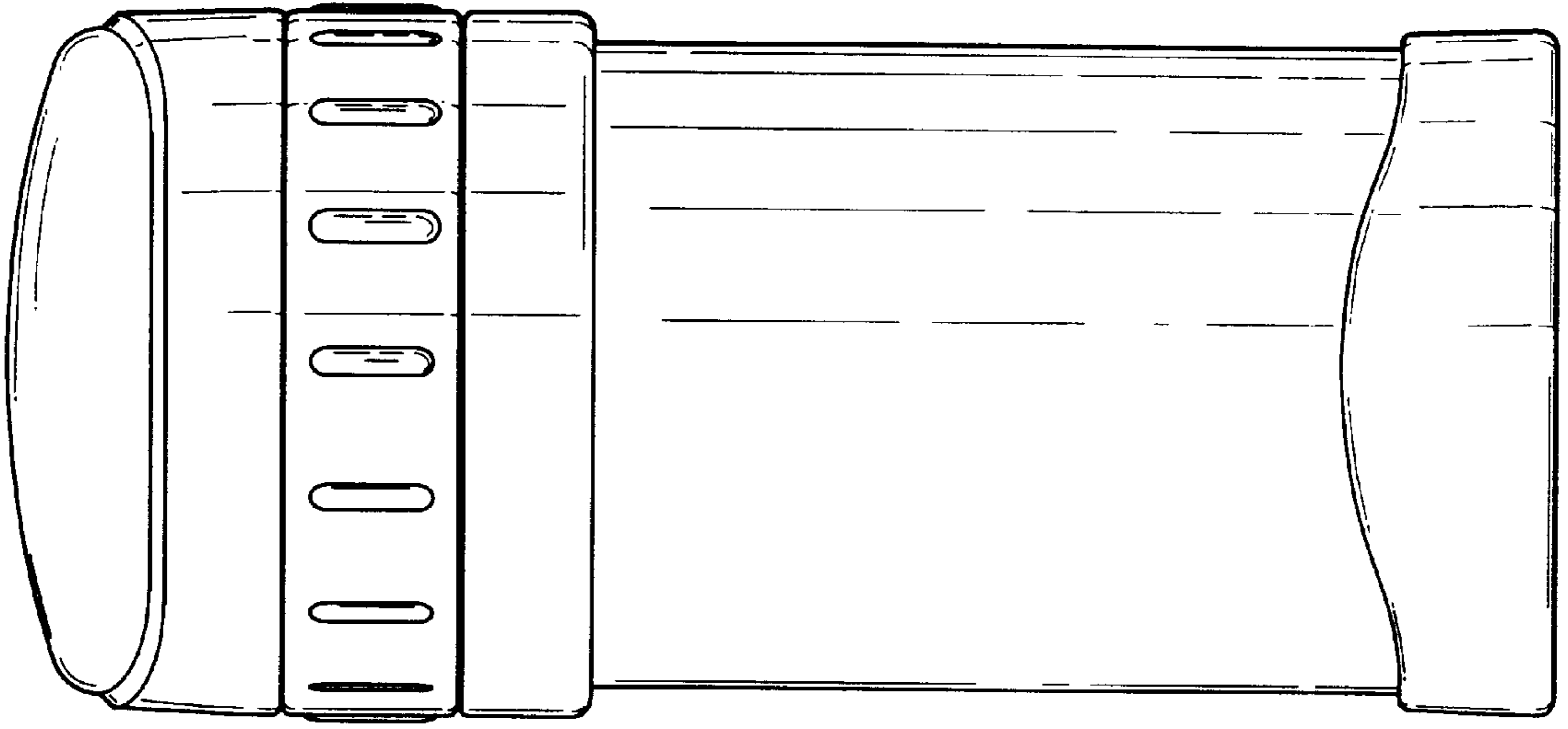


Fig. 5



Fig. 6

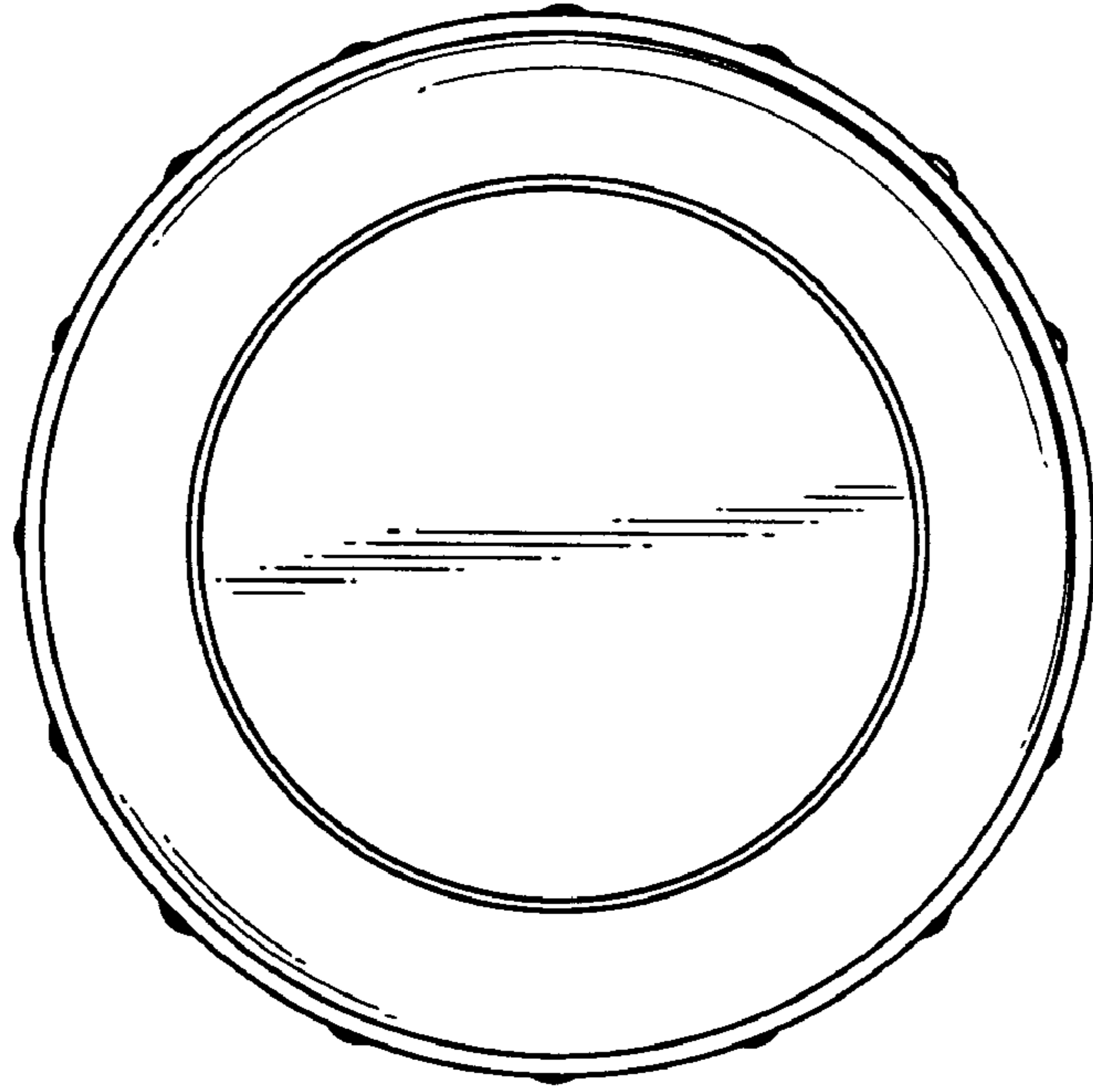


Fig. 8

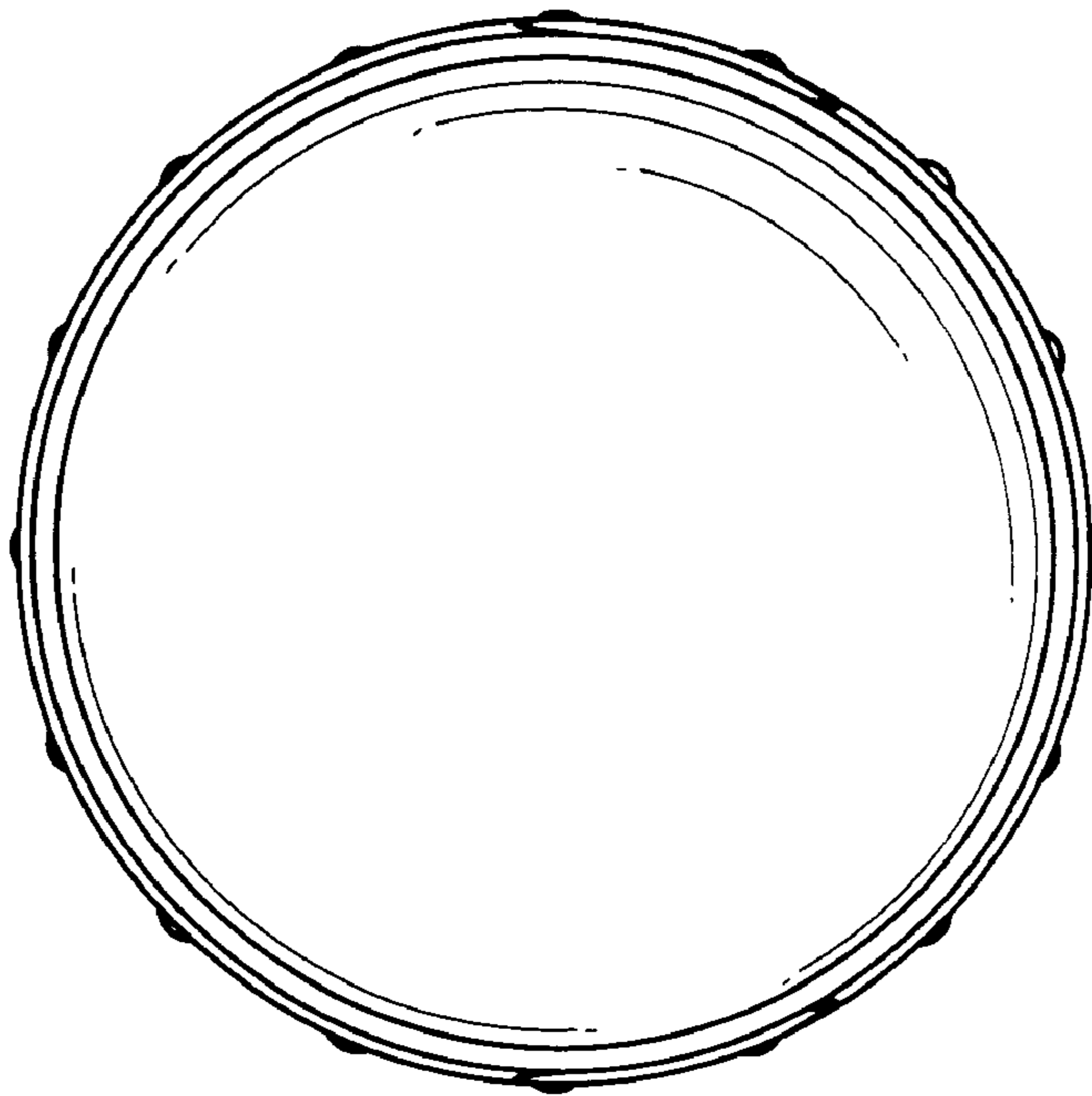


Fig. 7