



US00D467808S

(12) **United States Design Patent**
Hagemann et al.

(10) **Patent No.:** **US D467,808 S**

(45) **Date of Patent:** **** Dec. 31, 2002**

(54) **CONTAINER**

(75) **Inventors:** **Uwe Hagemann, Wirral (GB); Steven Hayes, Wirral (GB); Raymond Honey, Wirral (GB); Giles Michael Hopley, London (GB); Colin Watt Kerr, Wirral (GB)**

(73) **Assignee:** **Unilever Home & Personal Care USA division of Conopco, Inc., Greenwich, CT (US)**

(**) **Term:** **14 Years**

(21) **Appl. No.:** **29/147,565**

(22) **Filed:** **Aug. 30, 2001**

(30) **Foreign Application Priority Data**

Mar. 9, 2001 (GB) 2100142

(51) **LOC (7) Cl.** **09-01**

(52) **U.S. Cl.** **D9/522; D9/520**

(58) **Field of Search** D9/300, 516, 544, D9/520, 521, 522, 549, 558, 571, 572, 573, 574, 575; D28/91.1, 7; 215/381-385, 396, 398, 12.1-12.2, 13.1

(56) **References Cited**

U.S. PATENT DOCUMENTS

1,887,298 A * 11/1932 Friedman 215/12.1
D99,011 S * 3/1936 Garwood D9/526

D99,012 S * 3/1936 Garwood D9/526
D99,764 S * 5/1936 Trompeter D9/500
D105,298 S * 7/1937 Ogden D9/521
D110,586 S * 7/1938 Lewis D9/558
D155,743 S * 10/1949 Simoneau D9/523
D194,711 S * 2/1963 Bateman D9/526
D222,741 S * 12/1971 Broadhead D9/522
D267,454 S * 1/1983 Fine D6/542
D326,223 S * 5/1992 Dova D9/522
D362,624 S * 9/1995 Vignot D9/520
D406,242 S * 3/1999 Schaeffer D9/523

* cited by examiner

Primary Examiner—Ted Shooman

Assistant Examiner—Carol Rademaker

(74) *Attorney, Agent, or Firm*—Kevin J. Stein

(57) **CLAIM**

An ornamental design for a container, as shown and described.

DESCRIPTION

FIG. 1 is a perspective view of a container in accordance with our new design;
FIG. 2 is a front elevational view thereof;
FIG. 3 is a right side elevational view thereof;
FIG. 4 is a left side elevational view thereof;
FIG. 5 is a rear elevational view thereof;
FIG. 6 is a top plan view thereof; and,
FIG. 7 is a bottom plan view thereof.

1 Claim, 4 Drawing Sheets

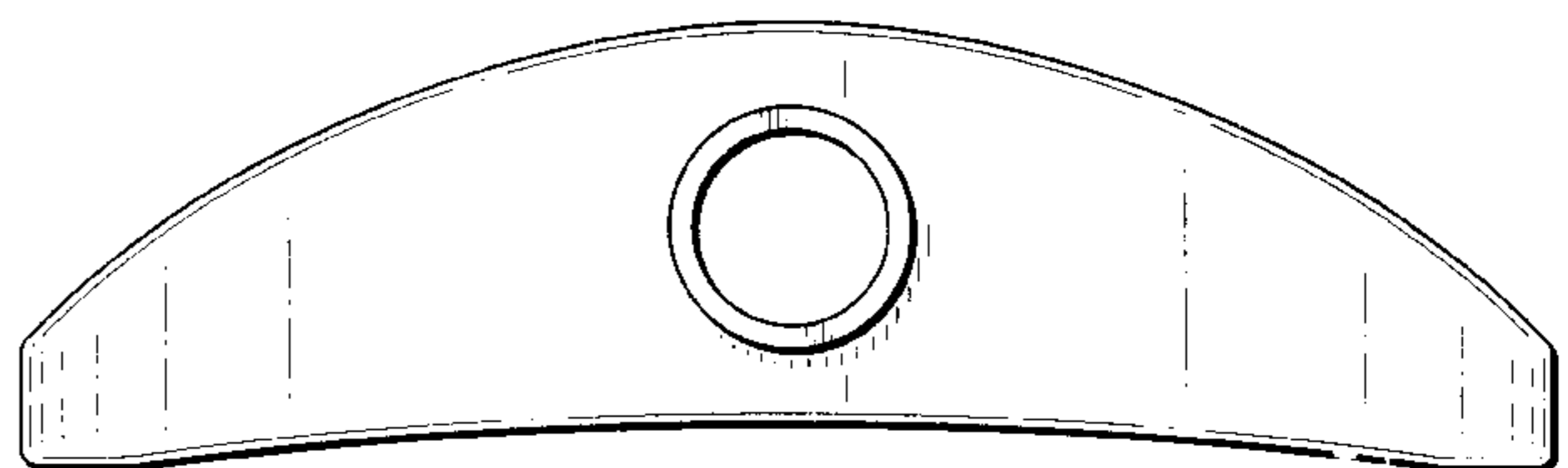
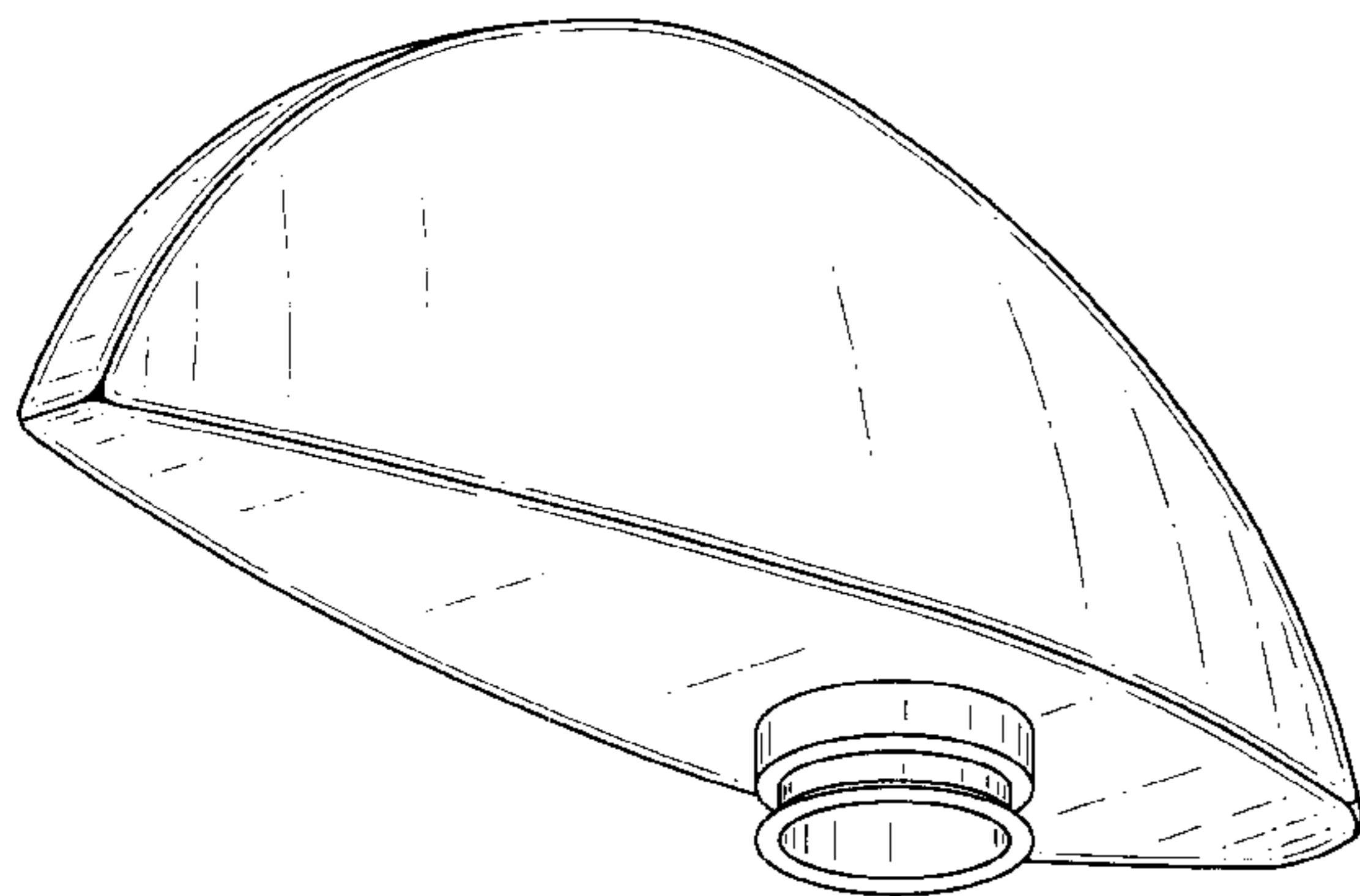


FIG. 1

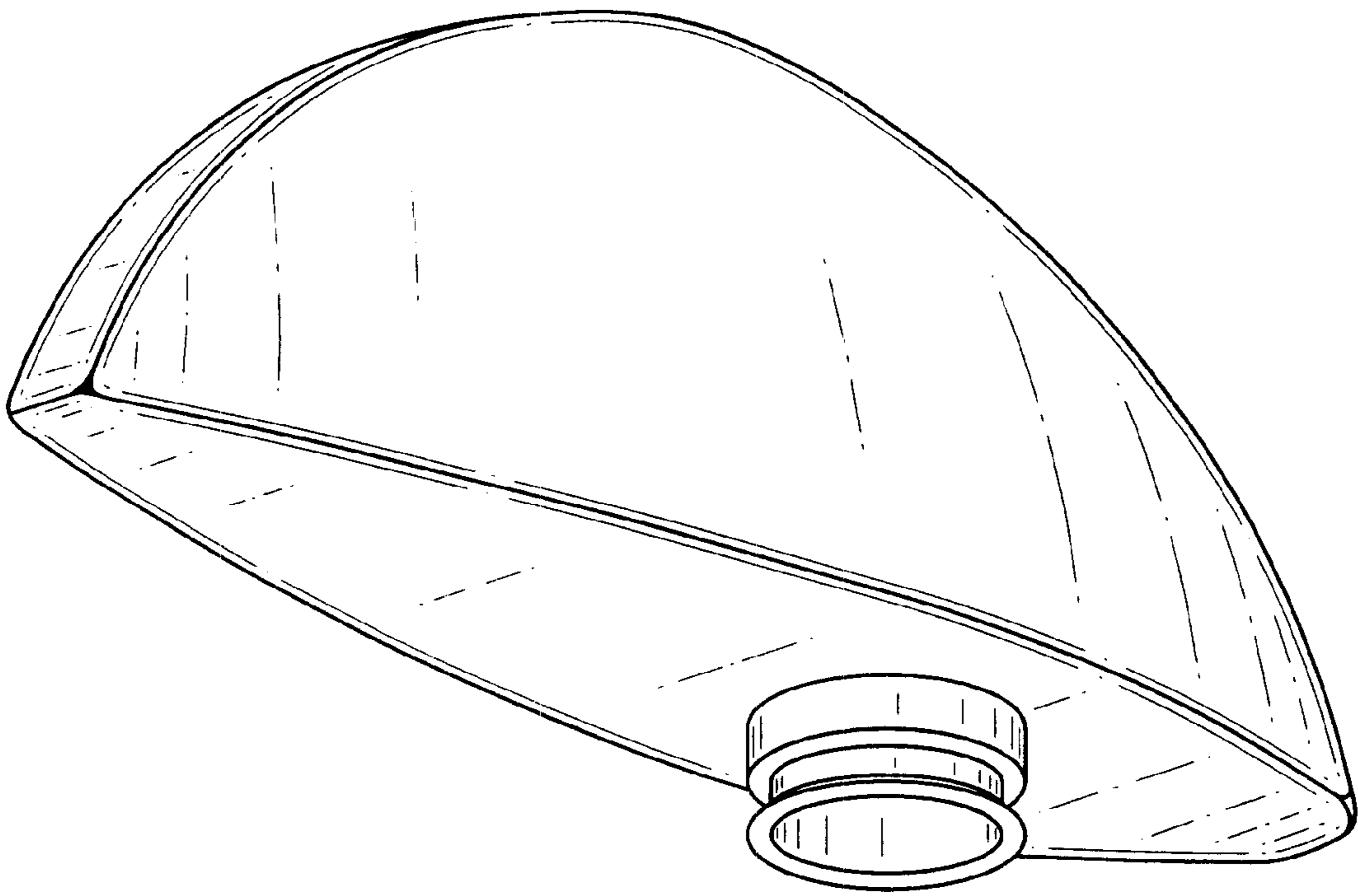


FIG. 2

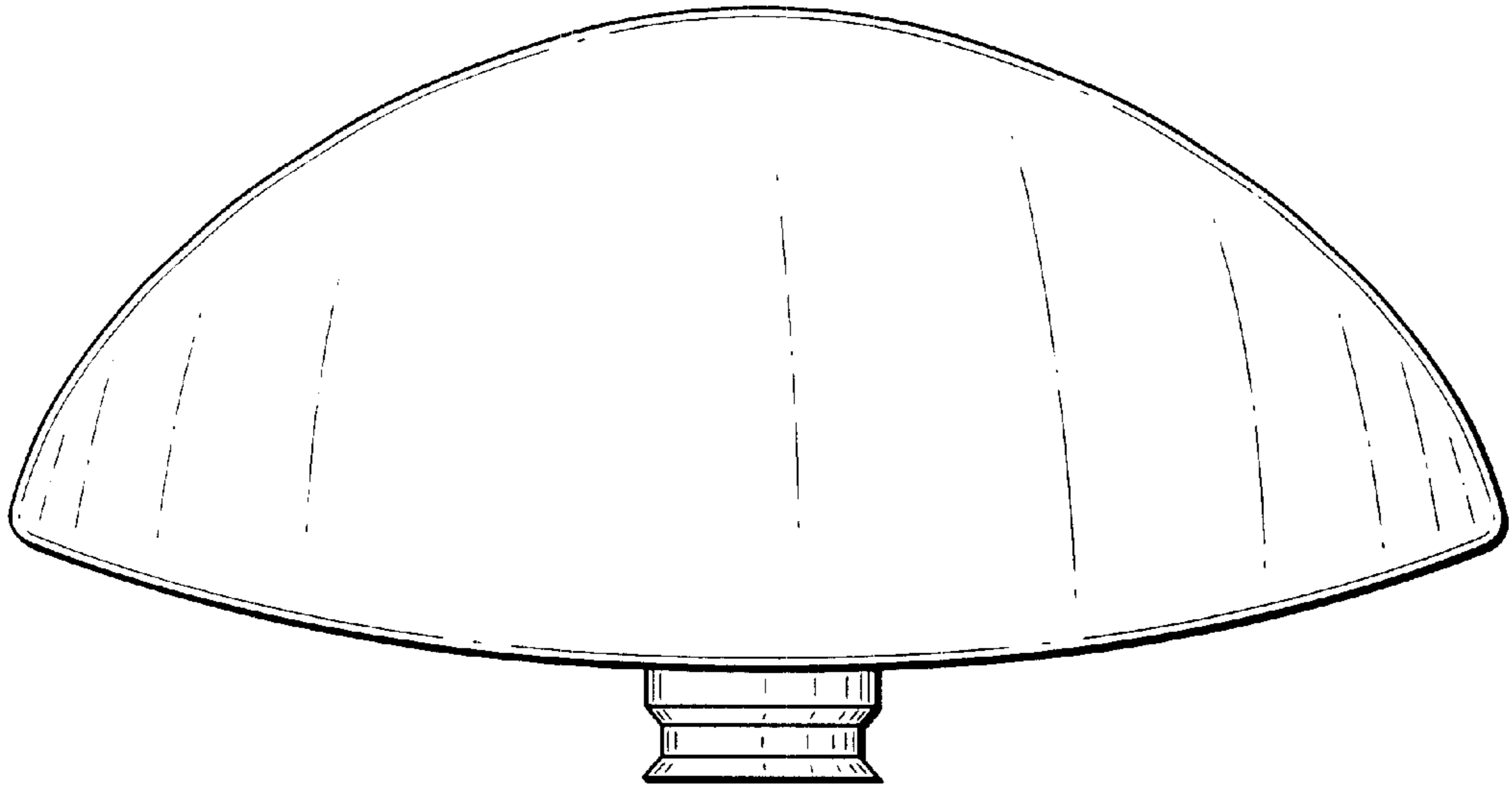


FIG. 3

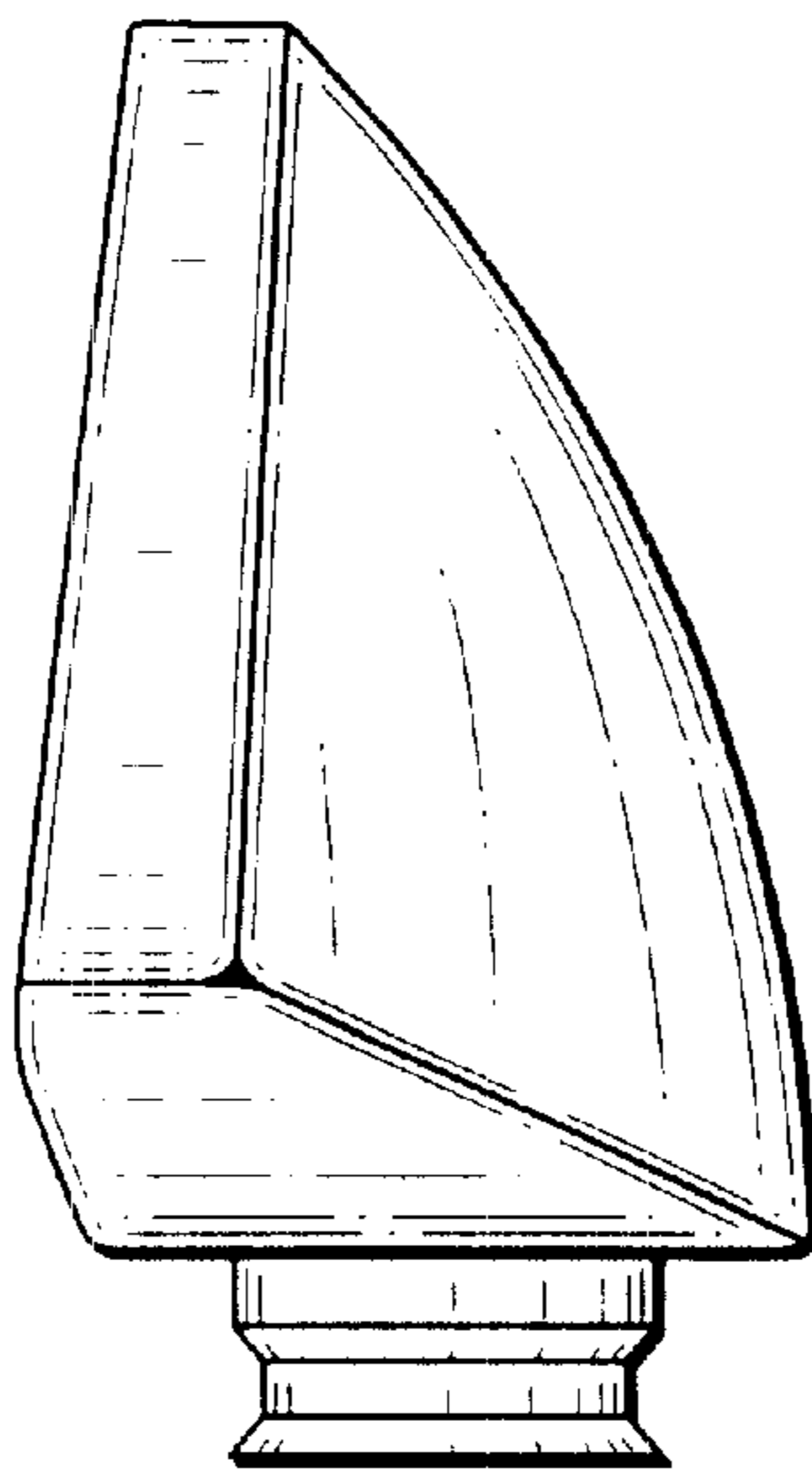


FIG. 4

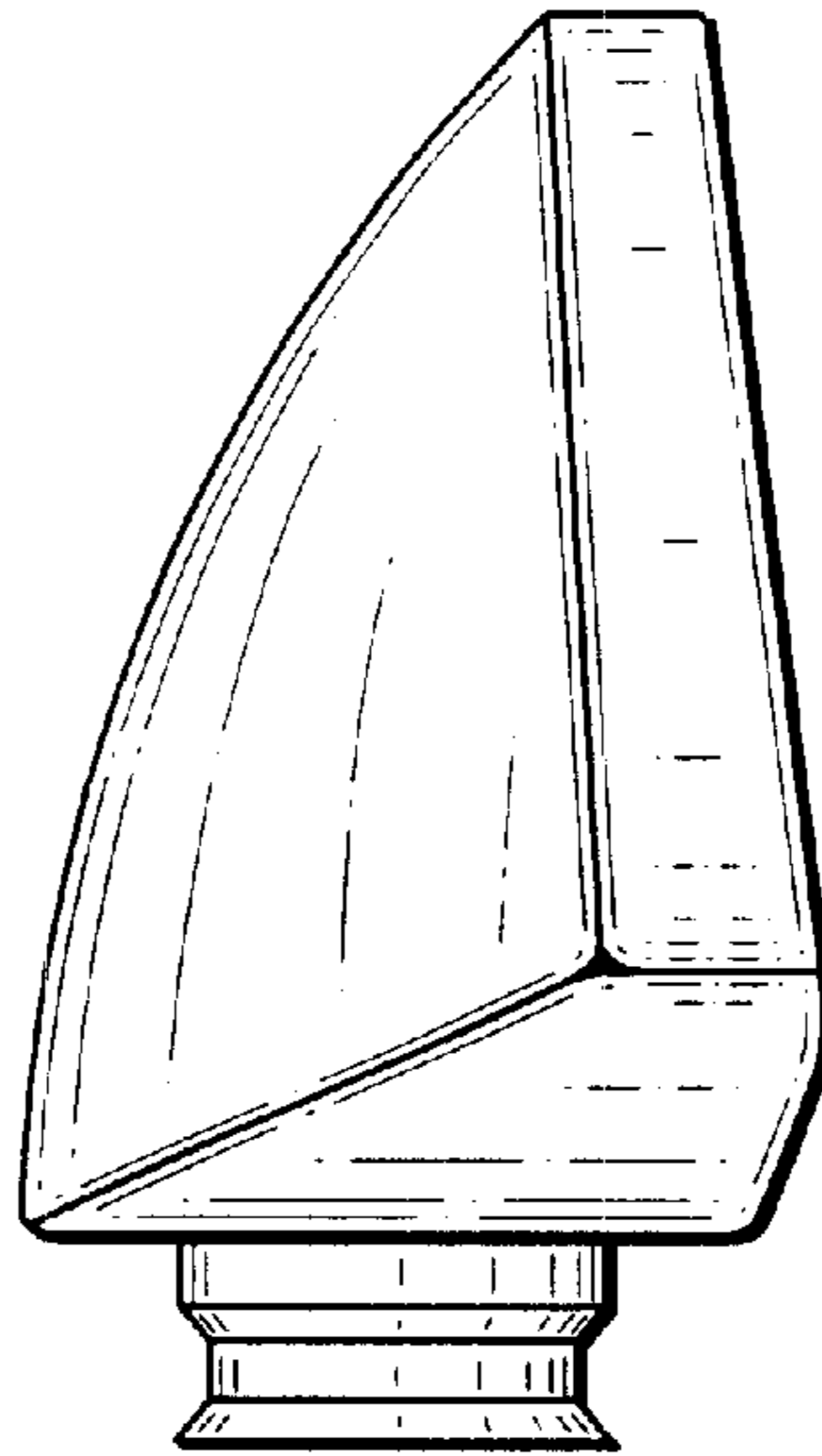


FIG. 5

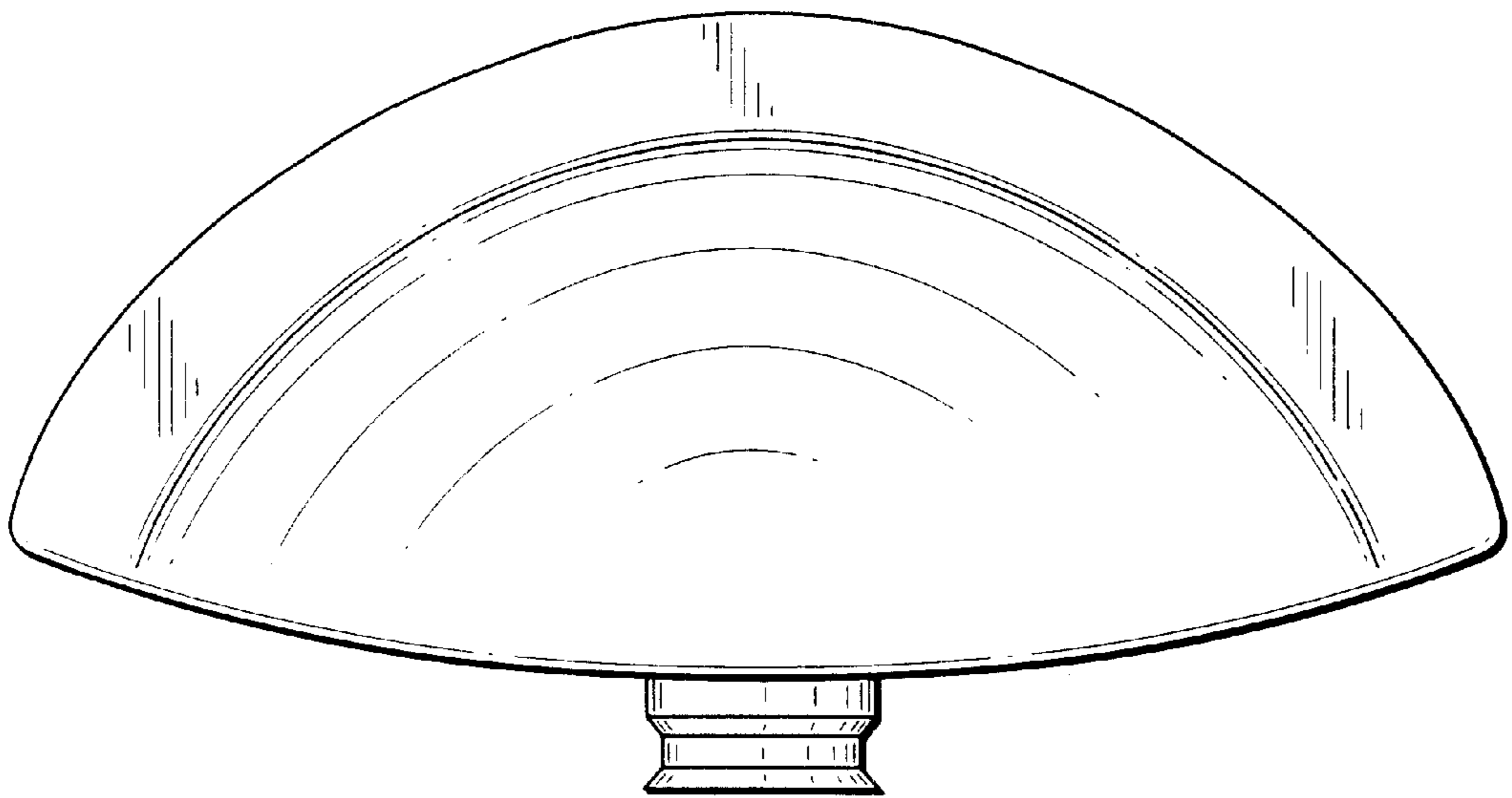


FIG. 6

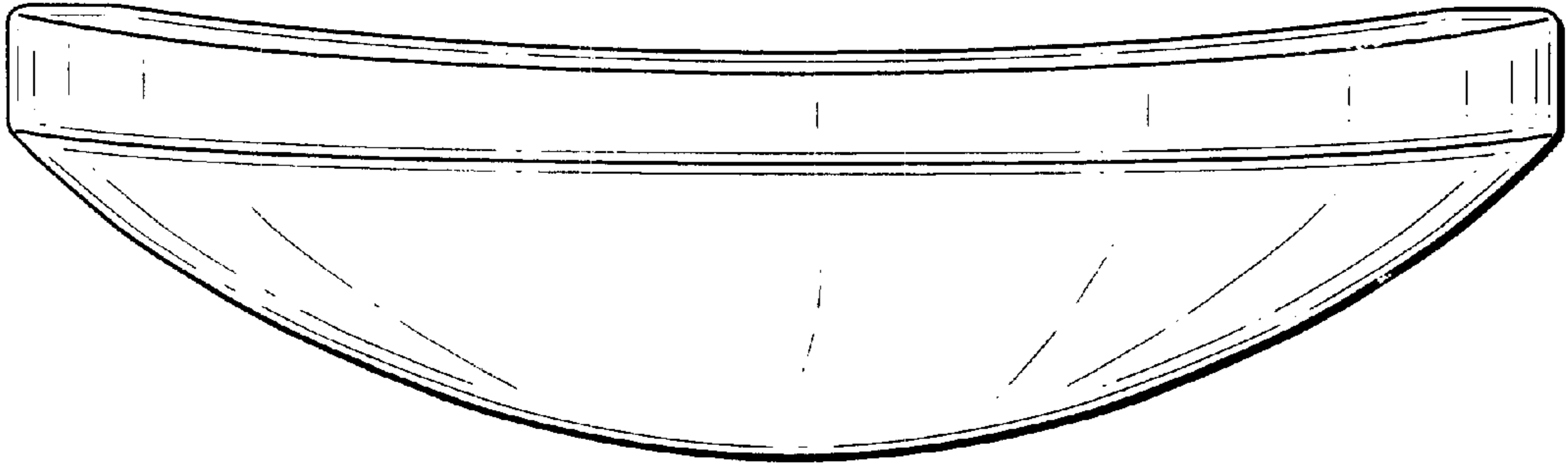


FIG. 7

