



US00D467801S

(12) **United States Design Patent**
Baerenwald et al.

(10) **Patent No.: US D467,801 S**

(45) **Date of Patent: ** Dec. 31, 2002**

(54) **CONTOURED RECTANGULAR LID**

(75) Inventors: **Philip M. Baerenwald**, Rockton, IL
(US); **C. Alan Peet**, Waterman, IL
(US); **George Solowiejko**, Rockford, IL
(US)

(73) Assignee: **J. L. Clark, Inc.**, Rockford, IL (US)

(**) Term: **14 Years**

(21) Appl. No.: **29/146,537**

(22) Filed: **Aug. 10, 2001**

Related U.S. Application Data

(63) Continuation-in-part of application No. 29/142,061, filed on May 17, 2001.

(51) **LOC (7) Cl.** **09-03**

(52) **U.S. Cl.** **D9/432; D9/449**

(58) **Field of Search** D9/432, 434, 435,
D9/447, 449, 450; 206/37, 38, 235; 220/212,
252, 558, 810; 222/556, 563, 572, 480;
229/124

(56) **References Cited**

U.S. PATENT DOCUMENTS

1,354,211 A *	9/1920	Reed	
3,217,949 A	11/1965	Davis	222/480
3,255,928 A	6/1966	Foster	222/153
3,262,606 A *	7/1966	Waterman	222/153
3,323,671 A	6/1967	Minarik, Jr. et al.	215/40
3,370,757 A	2/1968	Foster	222/153
3,412,890 A	11/1968	Rich	220/30
3,419,198 A	12/1968	Pettersen	222/541
3,836,056 A	9/1974	Pehr	222/480
3,845,872 A	11/1974	Towns et al.	215/9
3,850,350 A	11/1974	Towns et al.	222/556
4,010,875 A	3/1977	Babiol	222/517
4,059,201 A	11/1977	Foster	220/258
4,127,221 A	11/1978	Vere	222/153
4,158,902 A	6/1979	Chernack et al.	16/150
4,168,032 A	9/1979	Sneider	239/327
4,209,100 A	6/1980	Uhlig	215/216

4,220,248 A	9/1980	Wilson et al.	215/235
4,223,814 A	9/1980	Sneider	222/565
4,244,495 A	1/1981	Lorscheid et al.	222/153
4,261,480 A	4/1981	Fuss	221/304
4,291,818 A	9/1981	Nozawa et al.	220/335
4,361,250 A	11/1982	Foster	220/266
4,369,901 A	1/1983	Hidding	222/480
4,371,095 A	2/1983	Montgomery et al.	222/153
4,457,458 A	7/1984	Heinol	222/498
4,494,679 A	1/1985	Cleevly	222/151
D277,724 S *	2/1985	Daenen et al.	D7/392
D278,115 S	3/1985	Leininger	D7/392
4,504,009 A	3/1985	Boik et al.	229/5.5
D278,602 S	4/1985	Rosenstein	D9/449
4,538,731 A	9/1985	Cillario	206/540
4,558,806 A	12/1985	Shabram, Sr. et al.	222/556
4,580,687 A	4/1986	Lewis	215/237
D292,889 S	11/1987	Ostrowsky	D9/449

(List continued on next page.)

Primary Examiner—Mitchell Siegel

Assistant Examiner—Daniel Bui

(74) *Attorney, Agent, or Firm*—Leydig, Voit & Mayer, Ltd.

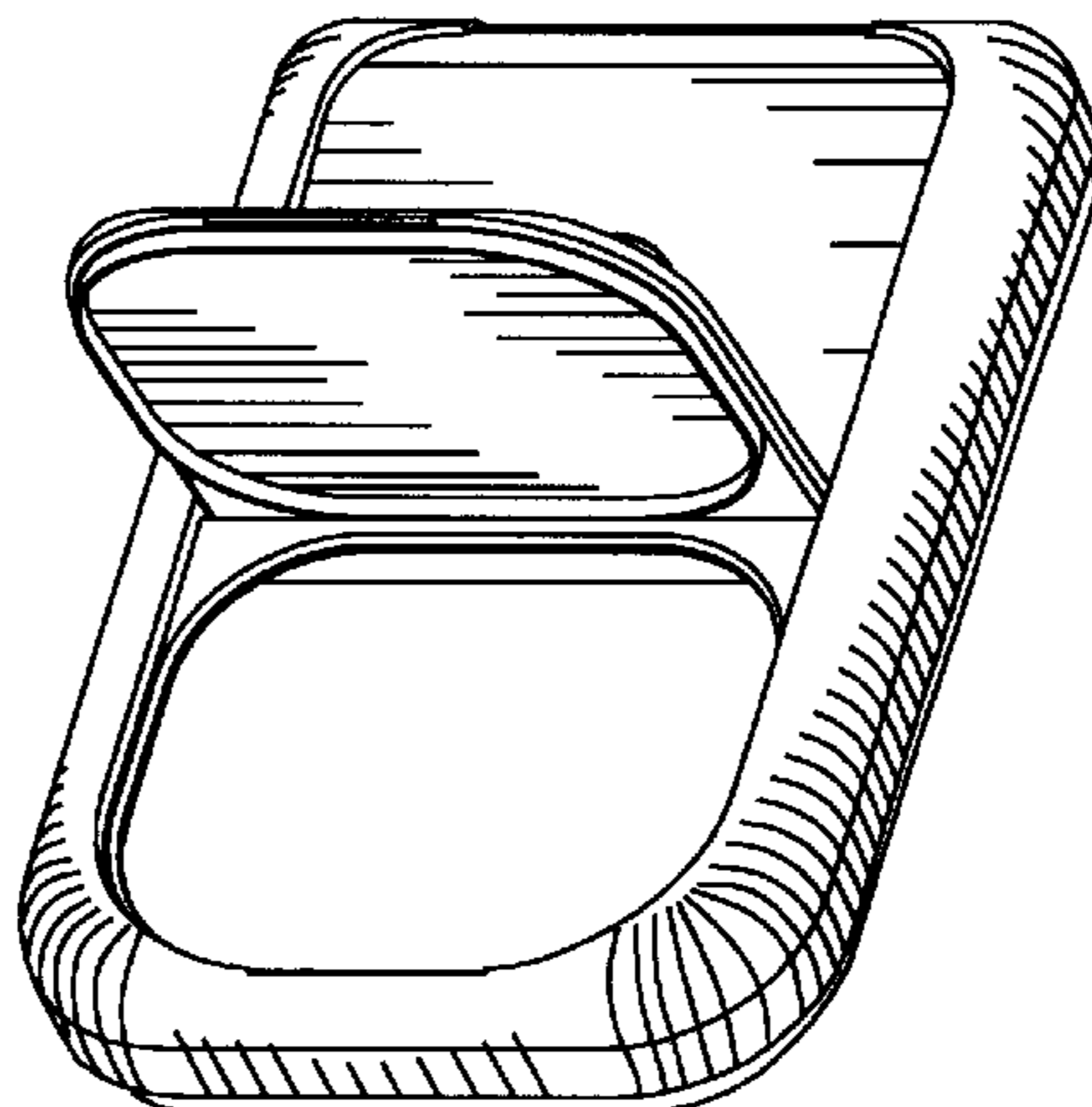
(57) **CLAIM**

We claim the ornamental design for the contoured rectangular lid, as shown and described.

DESCRIPTION

FIG. 1 is a perspective view of the lid with the door in the closed position;
 FIG. 2 is a perspective view similar to FIG. 1, but with the door in an open position;
 FIG. 3 is a top view of the lid as shown in FIG. 1;
 FIG. 4 is a top view of the lid as shown in FIG. 2;
 FIG. 5 is a front view of the lid as shown in FIG. 1;
 FIG. 6 is a rear view of the lid as shown in FIG. 1;
 FIG. 7 is a front view of the lid as shown in FIG. 2;
 FIG. 8 is a bottom view of the lid as shown in FIG. 1;
 FIG. 9 is an enlarged side view of the lid as shown in FIG. 1, taken from the right;
 FIG. 10 is an enlarged side view of the lid as shown in FIG. 2, taken from the right; and,
 FIG. 11 is an enlarged cross-sectional view of the lid as shown in FIG. 10.

1 Claim, 5 Drawing Sheets



US D467,801 S

Page 2

U.S. PATENT DOCUMENTS

4,736,858 A	4/1988	Shastal	215/236	5,339,993 A	8/1994	Groya et al.	222/153
4,759,478 A	7/1988	Richardson et al.	222/556	5,346,086 A	9/1994	Harris	220/254
4,776,501 A	10/1988	Ostrowsky	222/517	D352,899 S	11/1994	Molo	D9/447
4,898,292 A	2/1990	VerWeyst et al.	215/237	D355,121 S	2/1995	Kohl	D9/447
4,901,892 A	2/1990	Song	222/498	D355,846 S	2/1995	Denney et al.	D9/449
4,911,337 A	3/1990	Rosenthal	222/498	5,395,015 A	3/1995	Bolen, Jr. et al.	222/546
4,923,085 A	5/1990	Lillelund et al.	220/282	D363,222 S	10/1995	Lay	D9/447
4,936,494 A	6/1990	Weidman	222/480	D363,671 S	10/1995	Mueller	D9/447
D313,558 S	1/1991	Gunn et al.	D9/449	5,499,736 A	3/1996	Kohl	220/254
D314,708 S	2/1991	DeCoster	D9/449	D369,942 S	5/1996	Ahern, Jr.	D7/391
D321,137 S	10/1991	Hofmann et al.	D9/447	5,531,347 A	7/1996	Goulding	220/256
D322,760 S	12/1991	Blanchette	D9/435	5,549,214 A	8/1996	Harris	
5,082,114 A	1/1992	Bunin	206/539	5,611,451 A	3/1997	Mosior et al.	220/346
D328,711 S	8/1992	Deflander	D9/524	D379,434 S	5/1997	Robbins, III et al.	D9/449
5,139,181 A	8/1992	VerWeyst	222/480	5,706,981 A	1/1998	Nobakht	222/132
D329,604 S	9/1992	Kuczer	D9/449	5,718,347 A	2/1998	Walker et al.	215/209
5,163,559 A	11/1992	Bunin	206/532	5,730,310 A	3/1998	Yoshihara	220/335
D331,877 S	12/1992	Robichaud et al.	D9/449	5,782,388 A	7/1998	De Nervo	222/546
D331,878 S	12/1992	Forsyth	D9/449	D397,035 S	8/1998	Young et al.	D9/449
5,176,277 A	1/1993	Schuermann	220/253	5,799,838 A	9/1998	Miller	222/480
5,193,722 A	3/1993	Groya et al.		D407,976 S	4/1999	Ekkert	D9/449
5,195,645 A	3/1993	Schuermann		5,927,535 A	7/1999	Goth	220/254
D334,538 S	4/1993	Bolen, Jr. et al.	D9/447	D426,772 S	6/2000	Kahl	D9/449
D335,817 S	5/1993	Greubel	D9/300	6,102,257 A	8/2000	Goyet	222/498
D339,290 S	9/1993	Close	D9/447	D431,458 S	10/2000	Bried et al.	D9/339
D340,187 S	10/1993	Forsyth	D9/449	D448,295 S	* 9/2001	Mozes	D9/440
D340,188 S	10/1993	Forsyth	D9/449	D448,296 S	* 9/2001	Bried et al.	D9/449
5,273,177 A	12/1993	Campbell	220/281	D448,668 S	* 10/2001	Baerenwald et al.	D9/449
5,285,917 A	2/1994	Hofmann	220/212.5				

* cited by examiner

FIG. 2

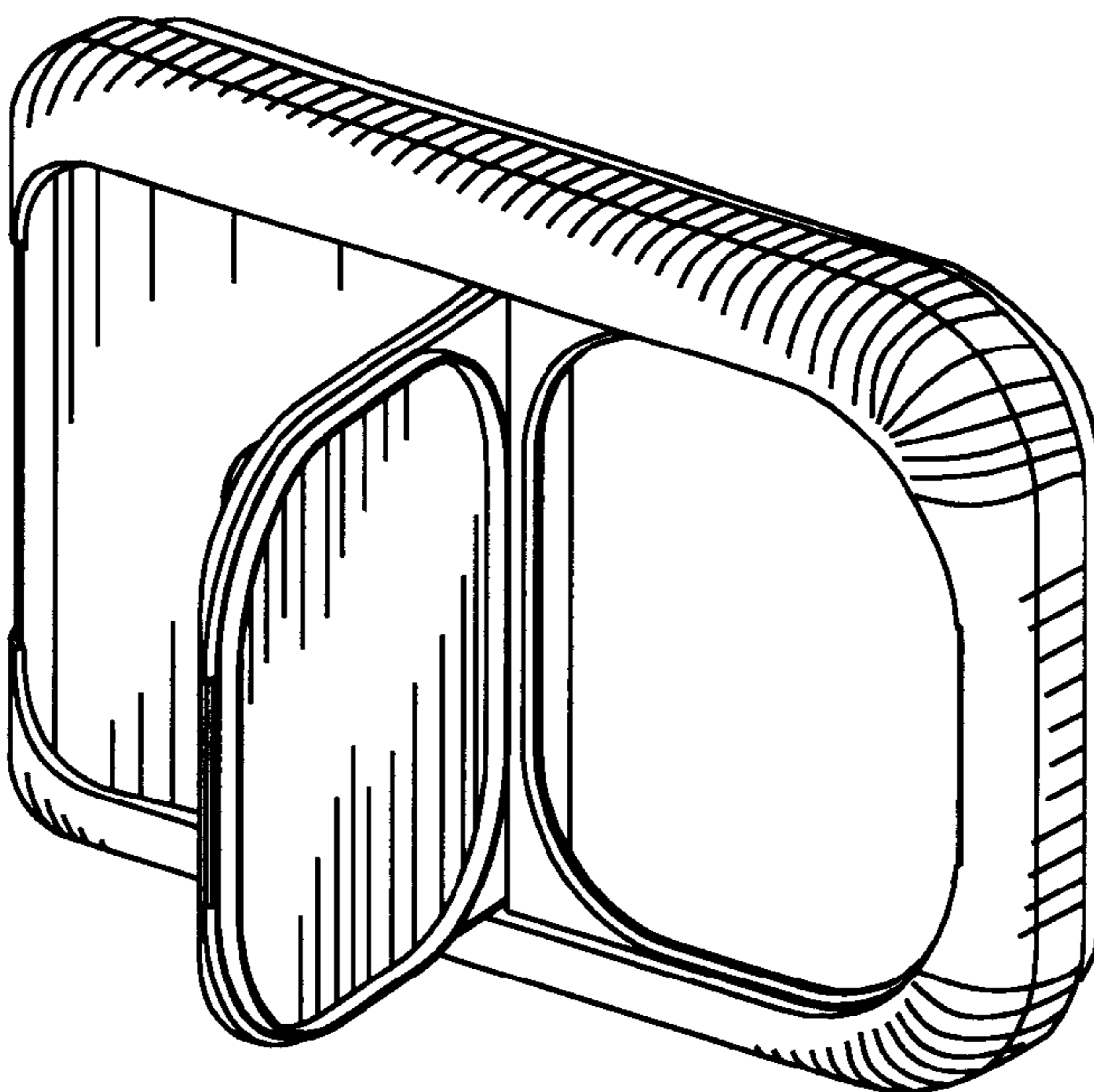


FIG. 1

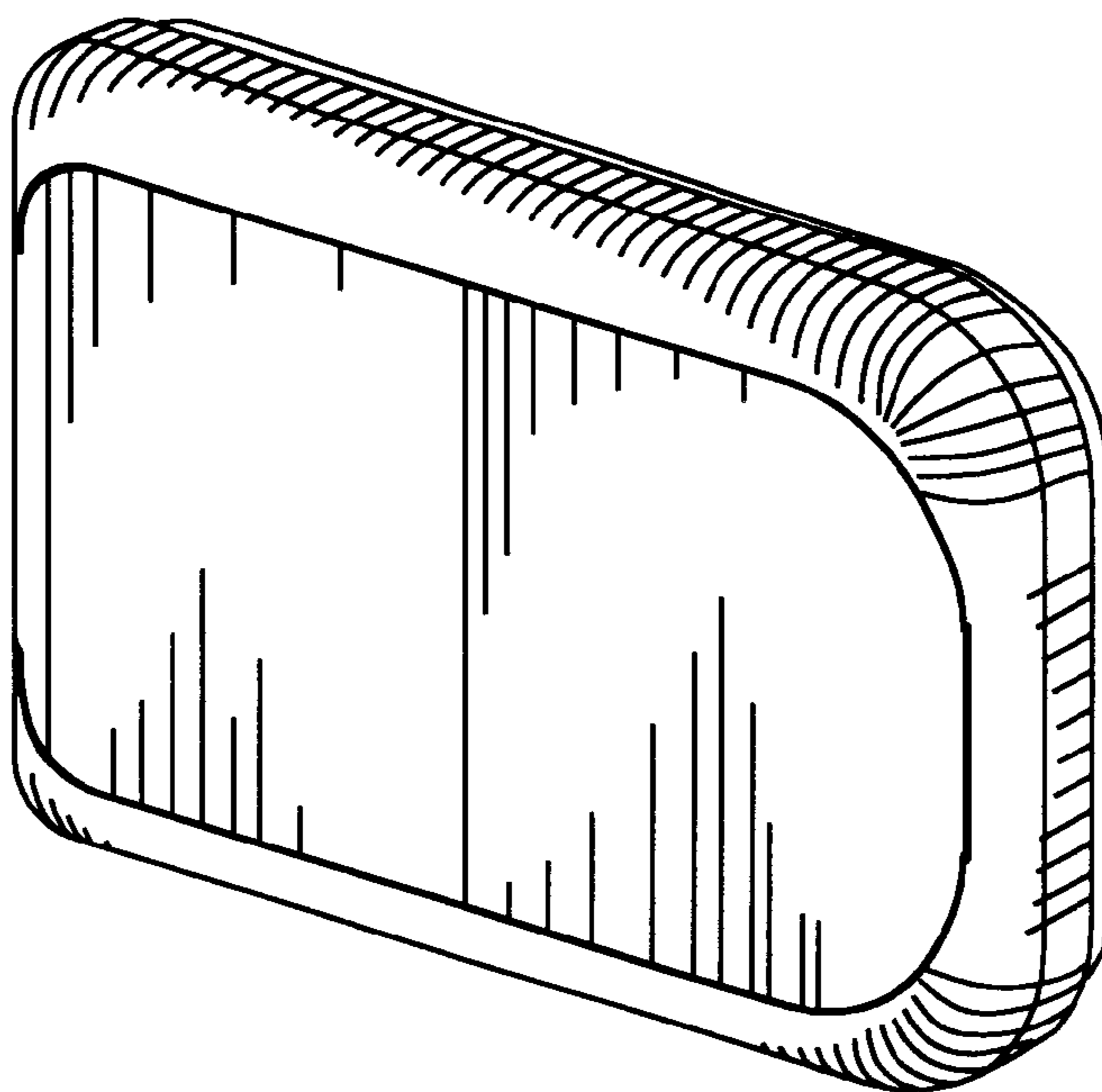


FIG. 4

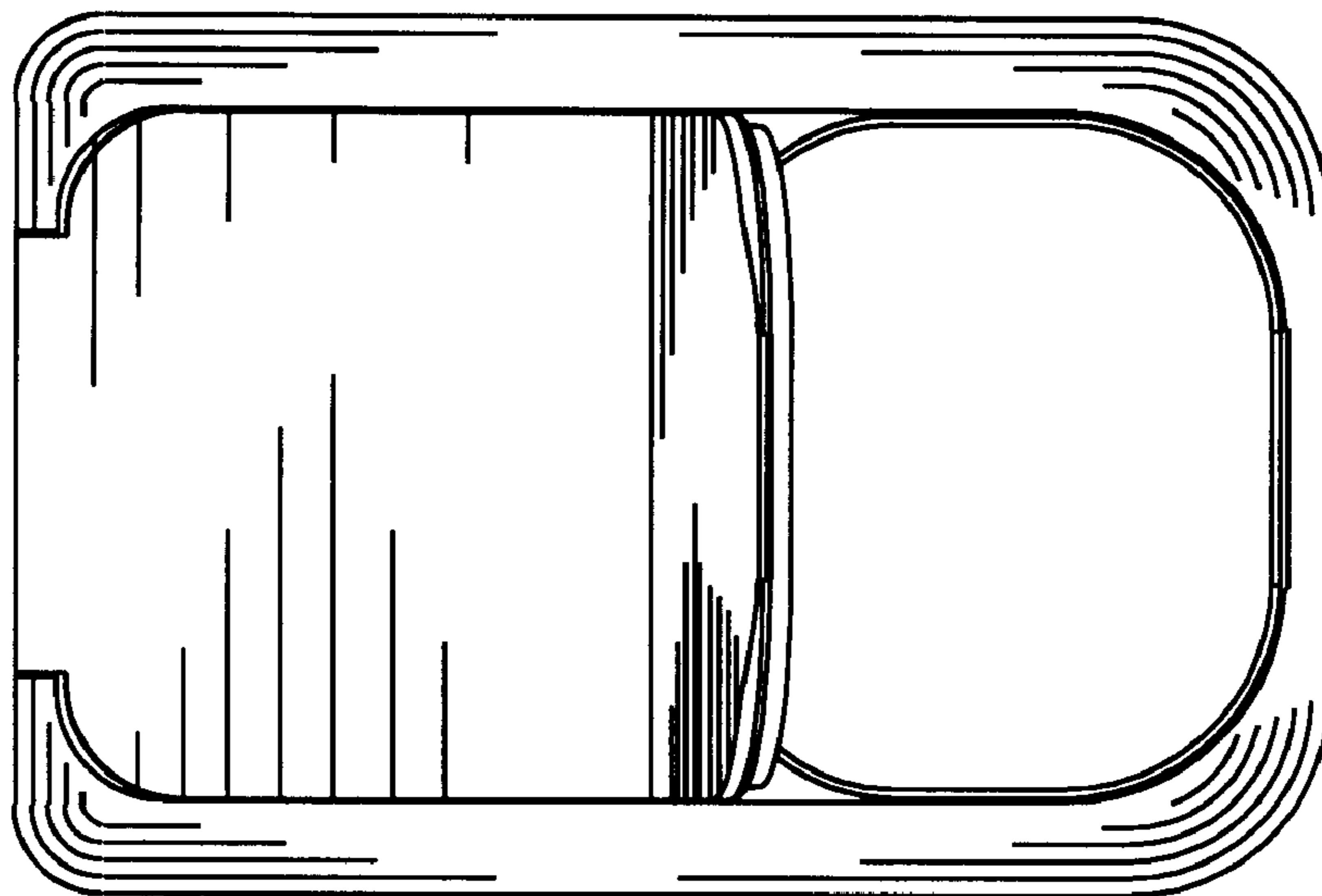
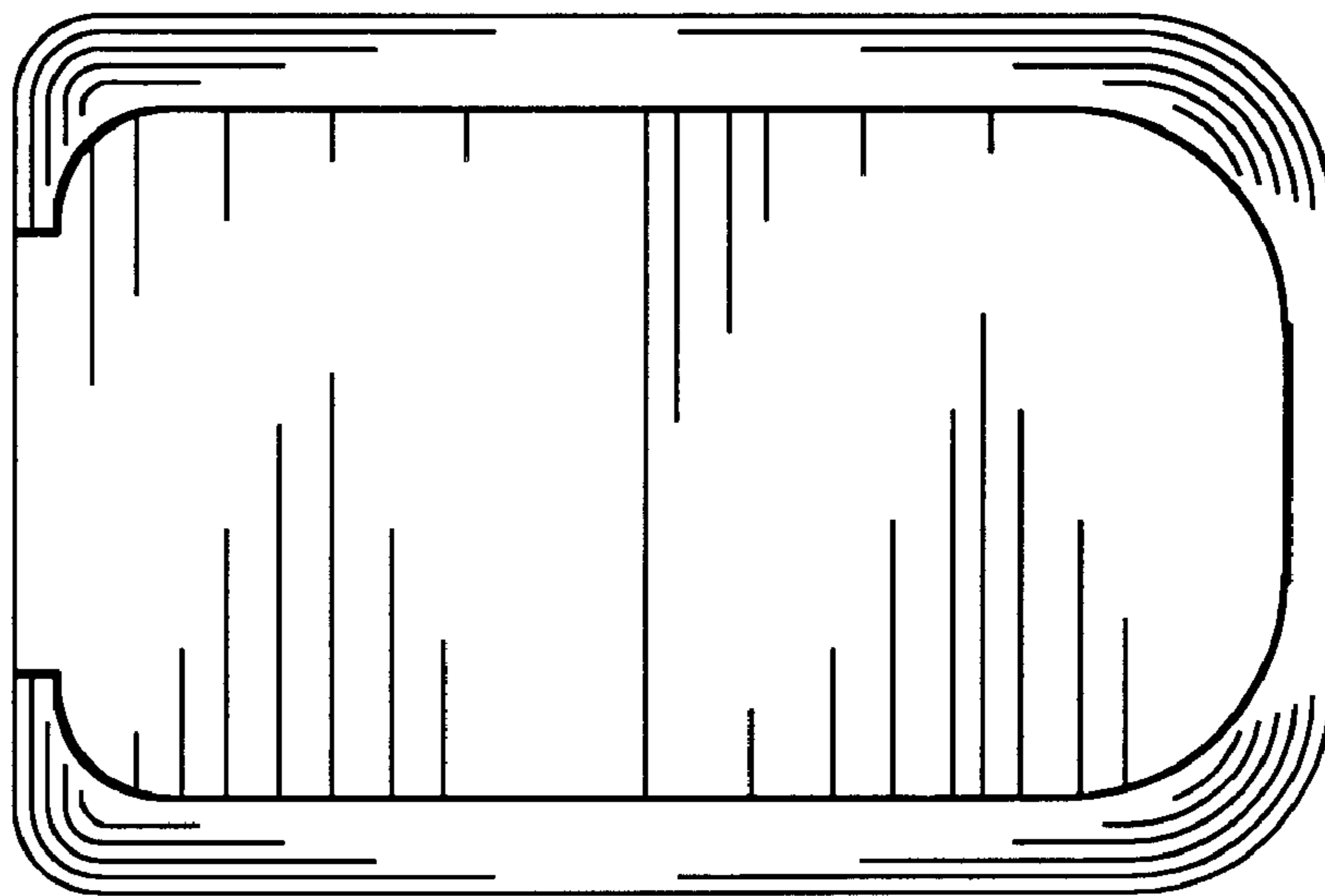


FIG. 3



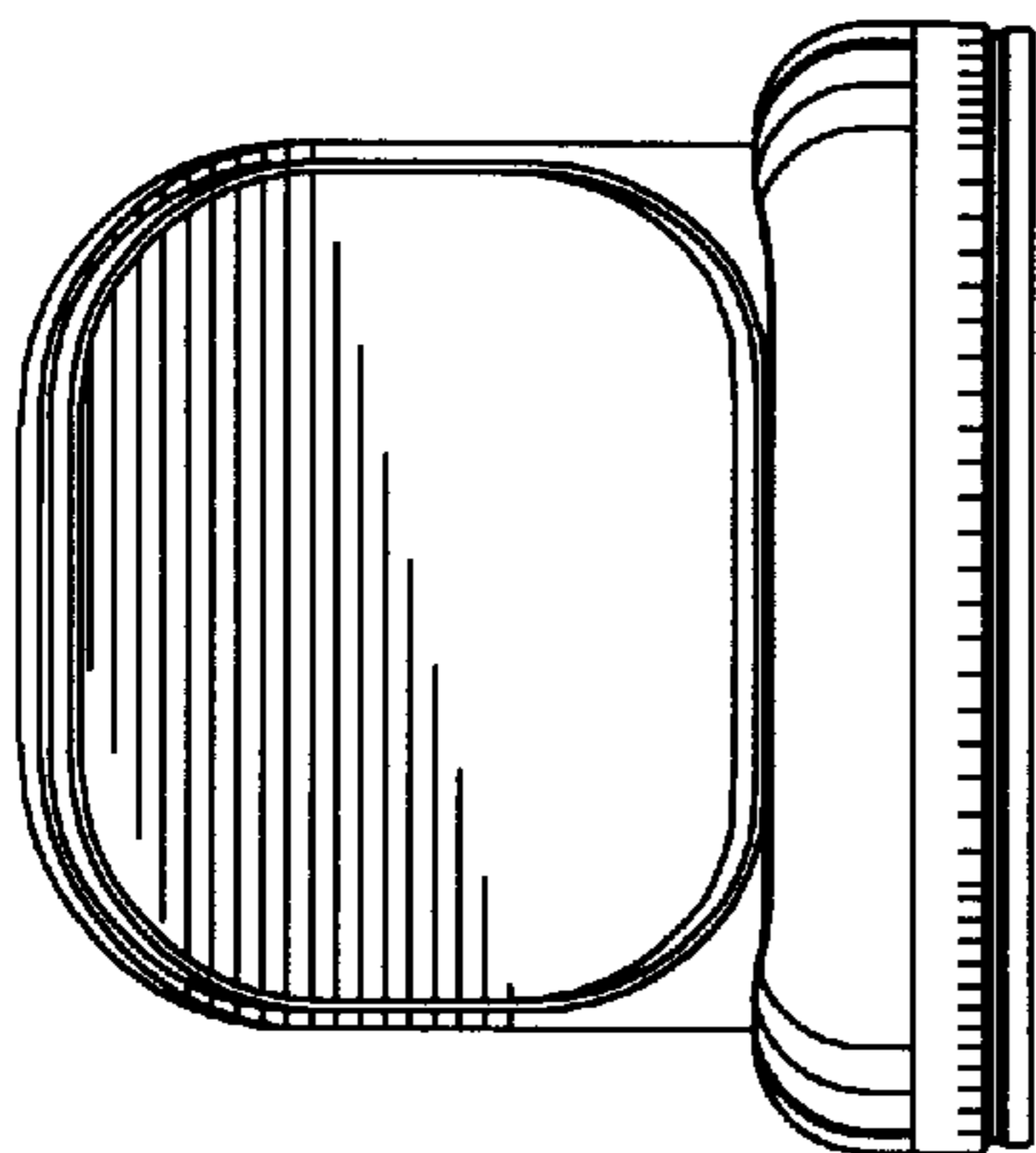


FIG. 7

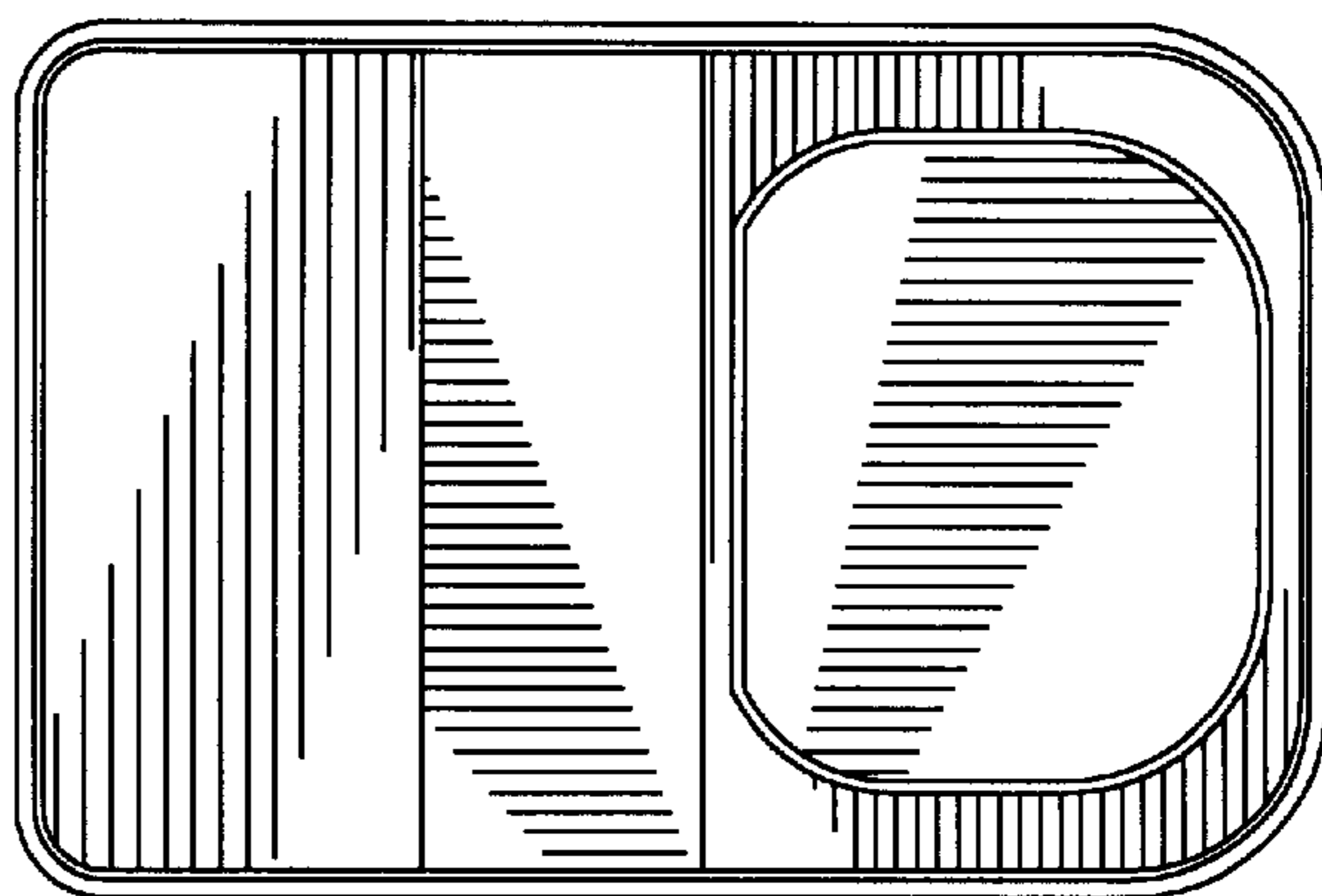


FIG. 8

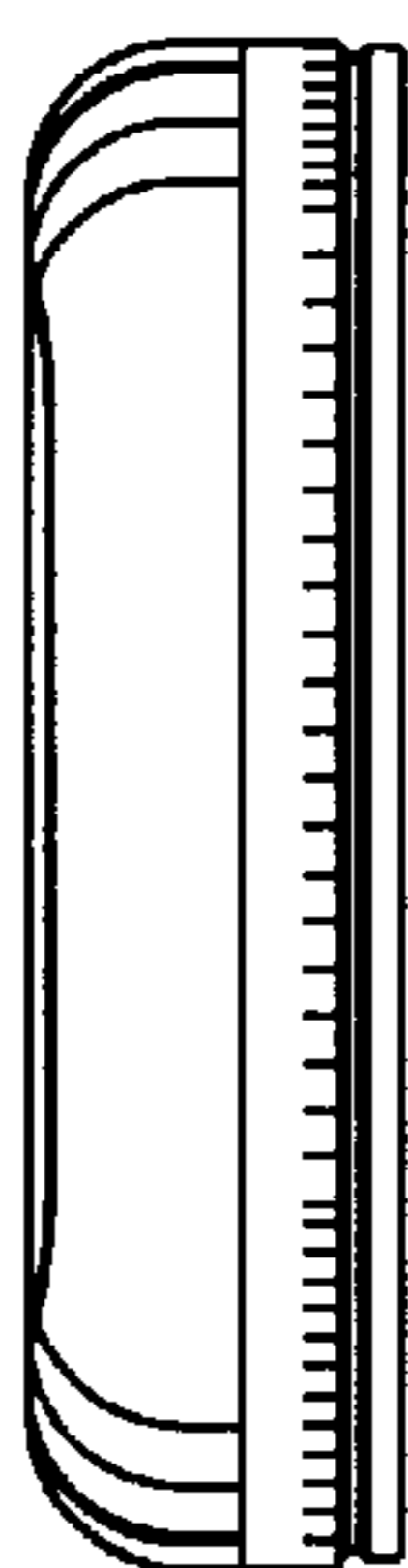


FIG. 5

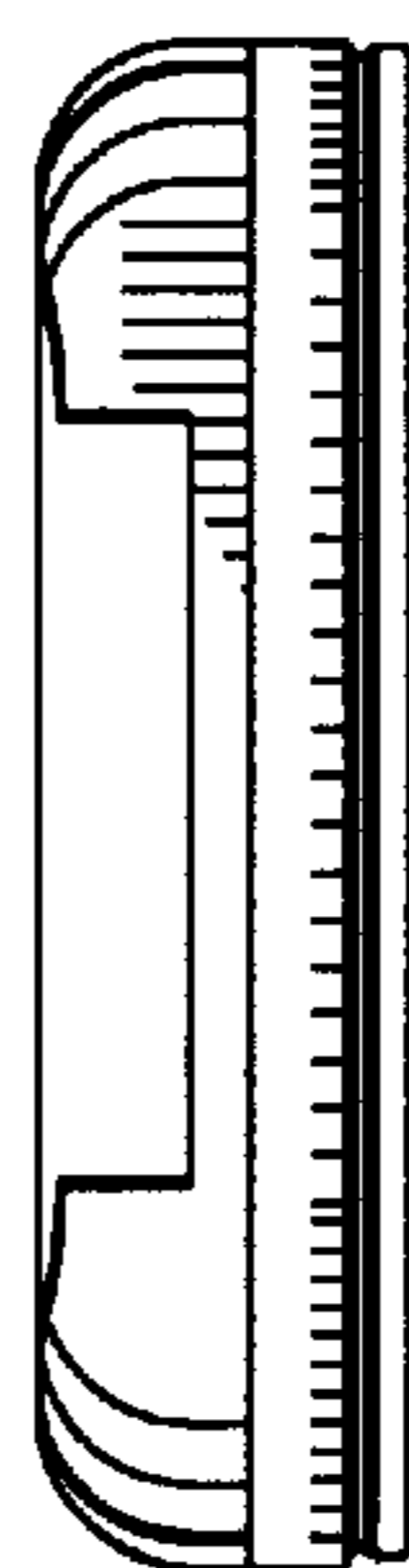


FIG. 6

FIG. 9

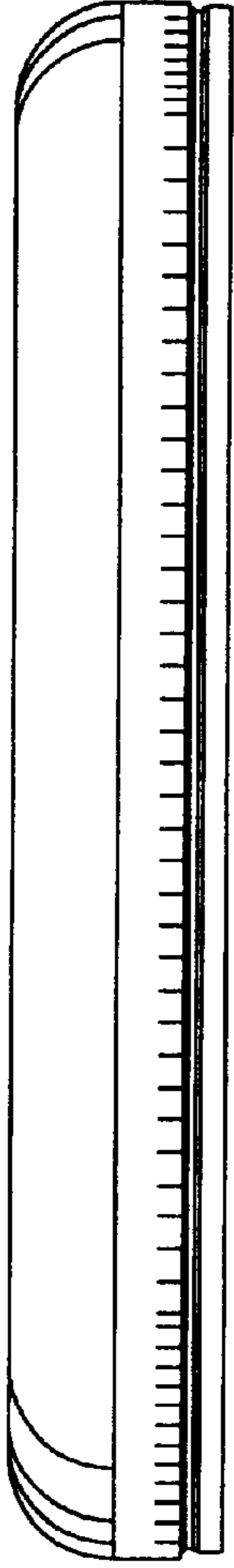
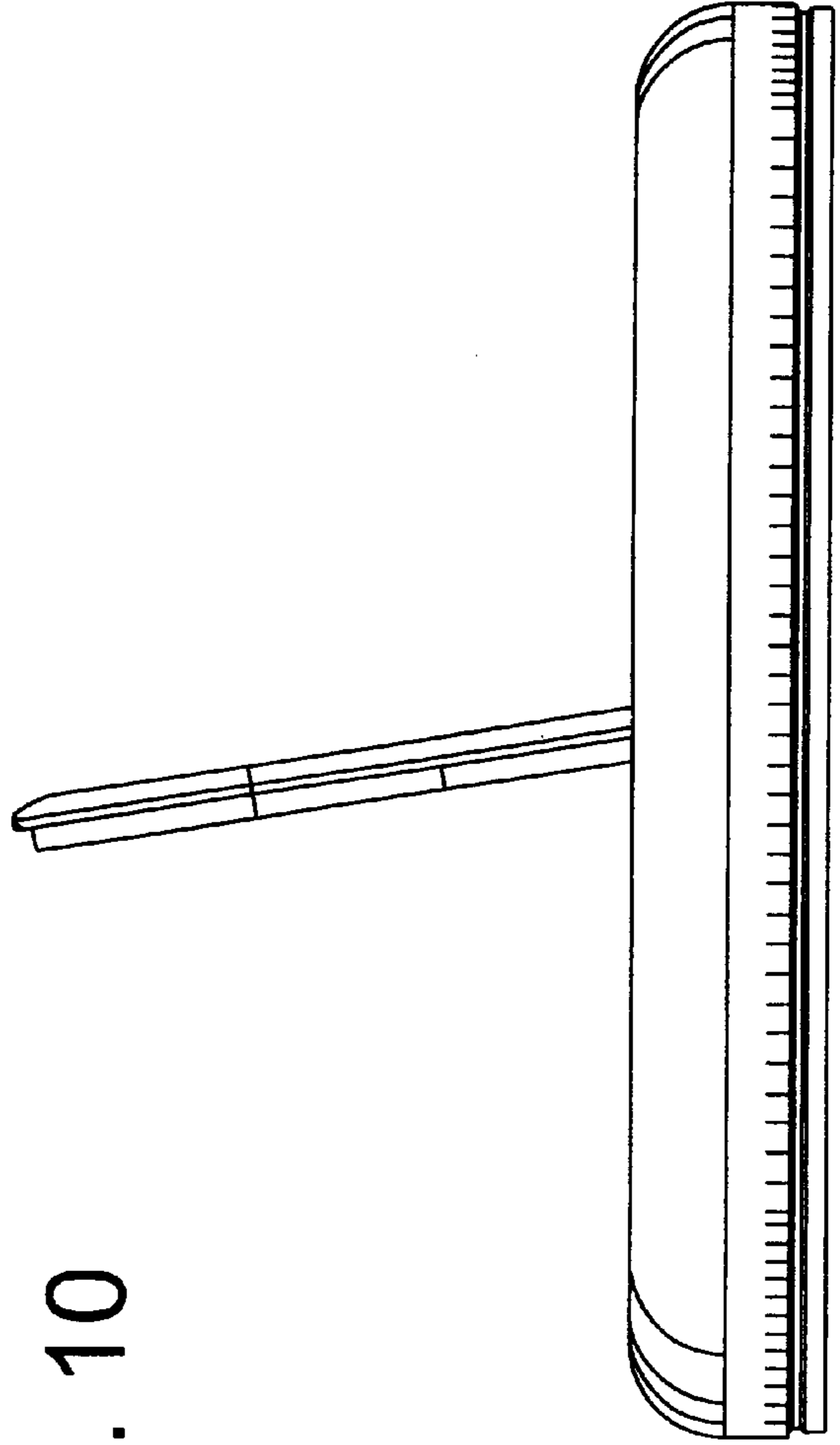


FIG. 10



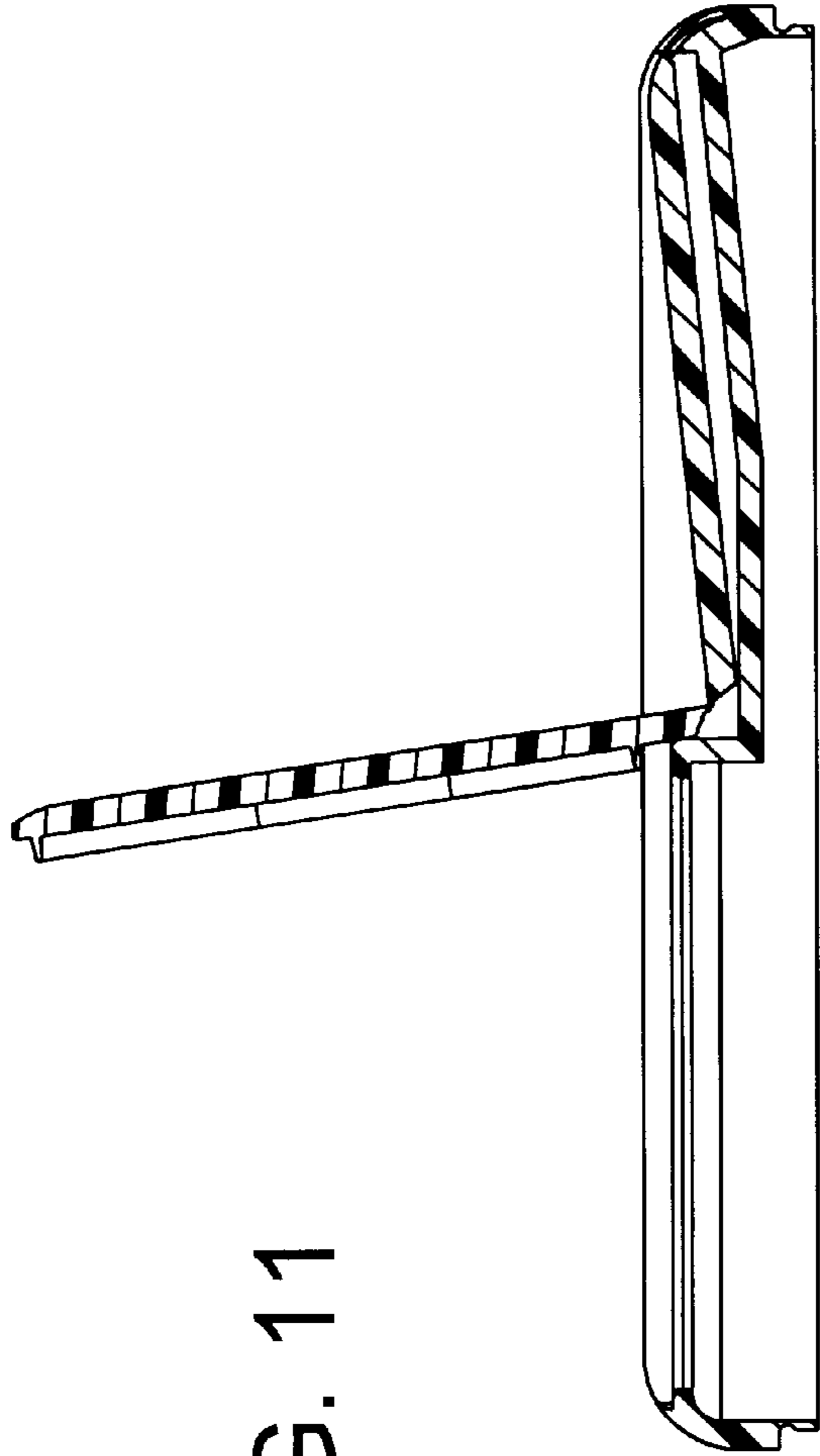


FIG. 11

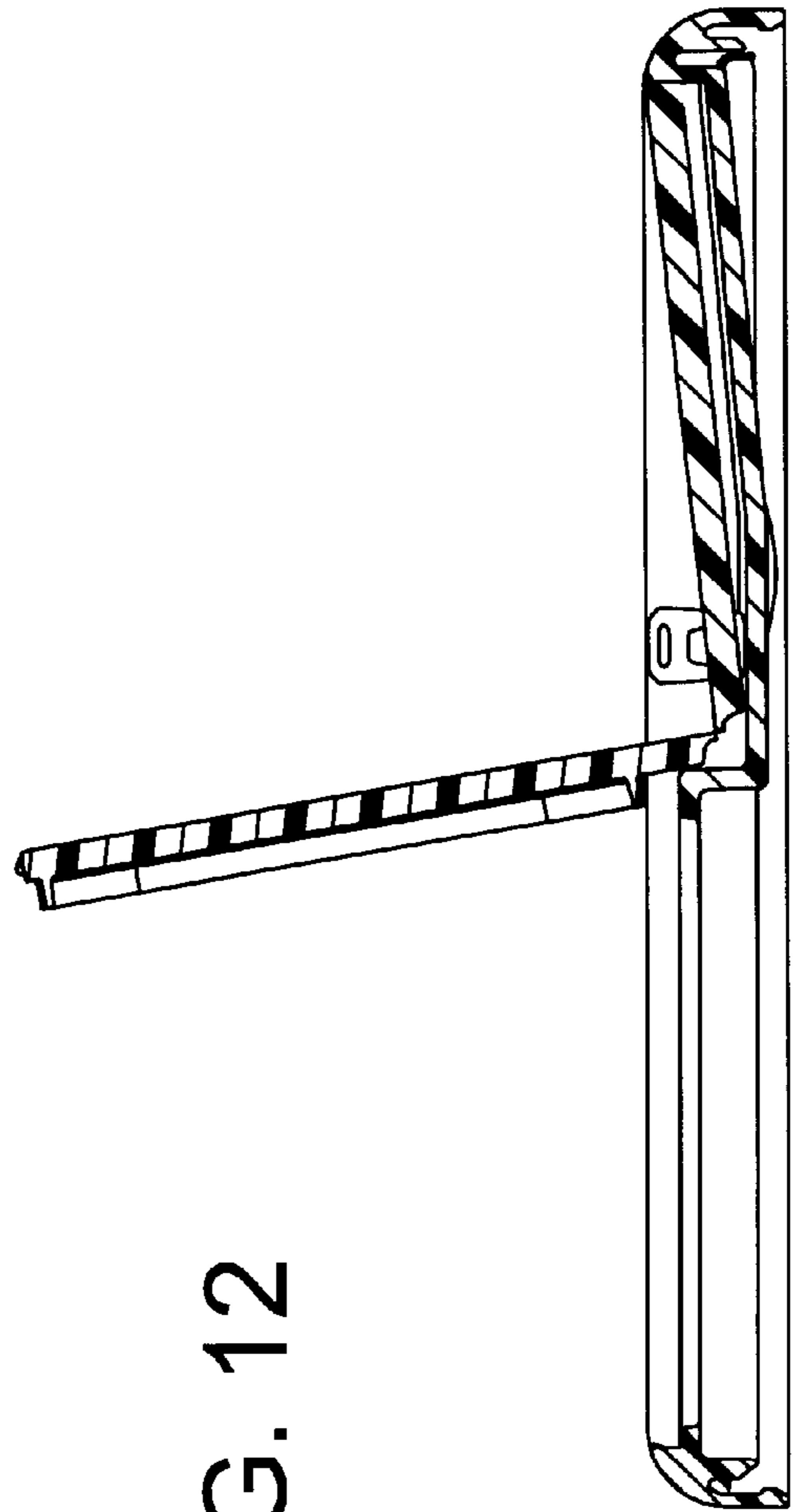


FIG. 12

UNITED STATES PATENT AND TRADEMARK OFFICE
CERTIFICATE OF CORRECTION

PATENT NO. : Des. 467,801 S
DATED : December 31, 2002
INVENTOR(S) : Baerenwald et al.

Page 1 of 7

It is certified that error appears in the above-identified patent and that said Letters Patent is hereby corrected as shown below:

The title page, showing an illustrative figure, should be deleted and substitute therefore the attached title page.

Drawings,

In the drawing, the single Drawing Sheets 1-5 should be deleted to be replaced with five (5) drawing sheets as shown on the attached pages.

Signed and Sealed this

Tenth Day of June, 2003

A handwritten signature in black ink, appearing to read "James E. Rogan", with a horizontal line drawn underneath it.

JAMES E. ROGAN
Director of the United States Patent and Trademark Office

(12) **United States Design Patent** (10) **Patent No.:** **US D467,801 S**
Baerenwald et al. (45) **Date of Patent:** **** Dec. 31, 2002**

(54) **CONTOURED RECTANGULAR LID**
 (75) Inventors: **Philip M. Baerenwald**, Rockton, IL (US); **C. Alan Peet**, Waterman, IL (US); **George Solowiejko**, Rockford, IL (US)
 (73) Assignee: **J. L. Clark, Inc.**, Rockford, IL (US)
 (**) Term: **14 Years**
 (21) Appl. No.: **29/146,537**
 (22) Filed: **Aug. 10, 2001**

Related U.S. Application Data

(63) Continuation-in-part of application No. 29/142,061, filed on May 17, 2001.
 (51) **LOC (7) CL** **09-03**
 (52) **U.S. Cl.** **D9/432; D9/449**
 (58) **Field of Search** **D9/432, 434, 435, D9/447, 449, 450; 206/37, 38, 235; 220/212, 252, 558, 810; 222/556, 563, 572, 480; 229/124**

References Cited

U.S. PATENT DOCUMENTS

1,354,211 A	*	9/1920	Reed	
3,217,949 A		11/1965	Davis	222/480
3,255,928 A		6/1966	Foster	222/153
3,262,606 A	*	7/1966	Waterman	222/153
3,323,671 A		6/1967	Minarik, Jr. et al.	215/40
3,370,757 A		2/1968	Foster	222/153
3,412,890 A		11/1968	Rich	220/30
3,419,198 A		12/1968	Pettersen	222/541
3,836,056 A		9/1974	Pehr	222/480
3,845,872 A		11/1974	Towns et al.	215/9
3,850,350 A		11/1974	Towns et al.	222/556
4,010,875 A		3/1977	Babiol	222/517
4,059,201 A		11/1977	Foster	220/258
4,127,221 A		11/1978	Vere	222/153
4,158,902 A		6/1979	Chernack et al.	16/150
4,168,032 A		9/1979	Sneider	239/327
4,209,100 A		6/1980	Uhlig	215/216

4,220,248 A		9/1980	Wilson et al.	215/235
4,223,814 A		9/1980	Sneider	222/565
4,244,495 A		1/1981	Lorscheid et al.	222/153
4,261,480 A		4/1981	Fuss	221/304
4,291,818 A		9/1981	Nozawa et al.	220/335
4,361,250 A		11/1982	Foster	220/266
4,369,901 A		1/1983	Hidding	222/480
4,371,095 A		2/1983	Montgomery et al.	222/153
4,457,458 A		7/1984	Heinol	222/498
4,494,679 A		1/1985	Cleevely	222/151
D277,724 S	*	2/1985	Daenen et al.	D7/392
D278,115 S		3/1985	Leininger	D7/392
4,504,009 A		3/1985	Boik et al.	229/5.5
D278,602 S		4/1985	Rosenstein	D9/449
4,538,731 A		9/1985	Cillario	206/540
4,558,806 A		12/1985	Shabram, Sr. et al.	222/556
4,580,687 A		4/1986	Lewis	215/237
D292,889 S		11/1987	Ostrowsky	D9/449

(List continued on next page.)

Primary Examiner—Mitchell Siegel
Assistant Examiner—Daniel Bui
 (74) *Attorney, Agent, or Firm*—Leydig, Voit & Mayer, Ltd.

(57) **CLAIM**

We claim the ornamental design for the contoured rectangular lid, as shown and described.

DESCRIPTION

FIG. 1 is a perspective view of the lid with the door in the closed position;
 FIG. 2 is a perspective view similar to FIG. 1, but with the door in an open position;
 FIG. 3 is a top view of the lid as shown in FIG. 1;
 FIG. 4 is a top view of the lid as shown in FIG. 2;
 FIG. 5 is a front view of the lid as shown in FIG. 1;
 FIG. 6 is a rear view of the lid as shown in FIG. 1;
 FIG. 7 is a front view of the lid as shown in FIG. 2;
 FIG. 8 is a bottom view of the lid as shown in FIG. 1;
 FIG. 9 is an enlarged side view of the lid as shown in FIG. 1, taken from the right;
 FIG. 10 is an enlarged side view of the lid as shown in FIG. 2, taken from the right; and,
 FIG. 11 is an enlarged cross-sectional view of the lid as shown in FIG. 10.

1 Claim, 5 Drawing Sheets

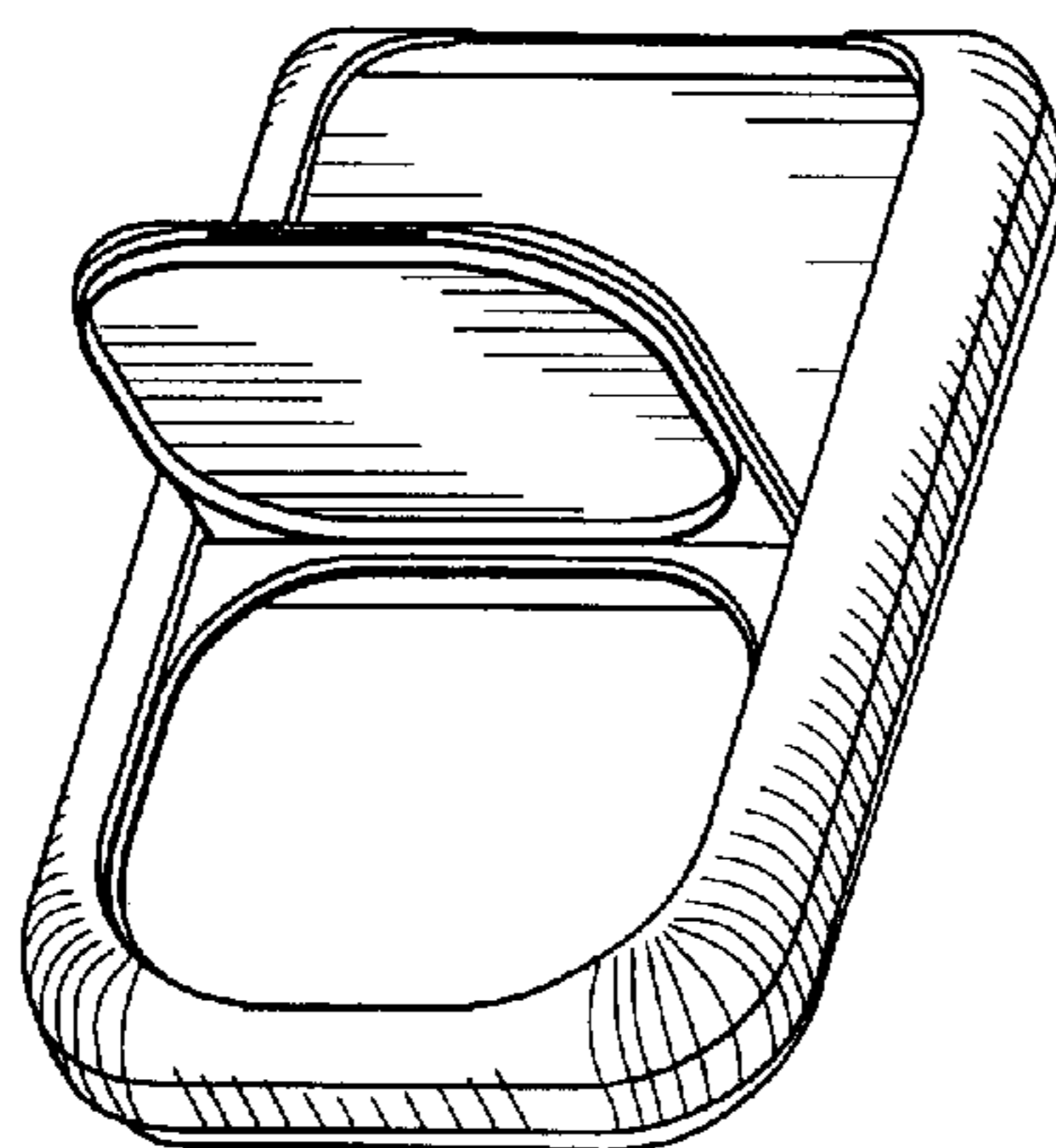


FIG. 2

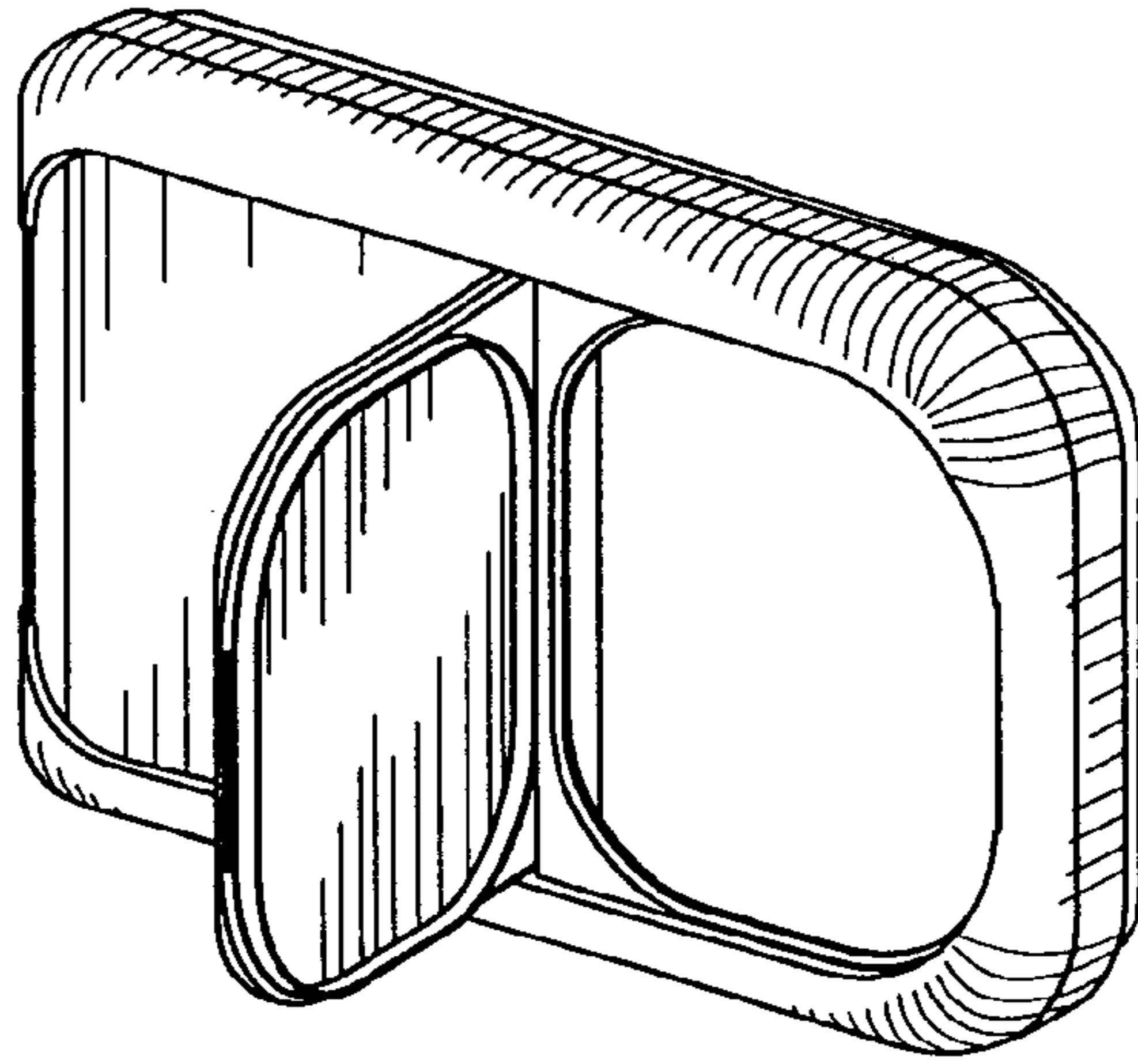


FIG. 1

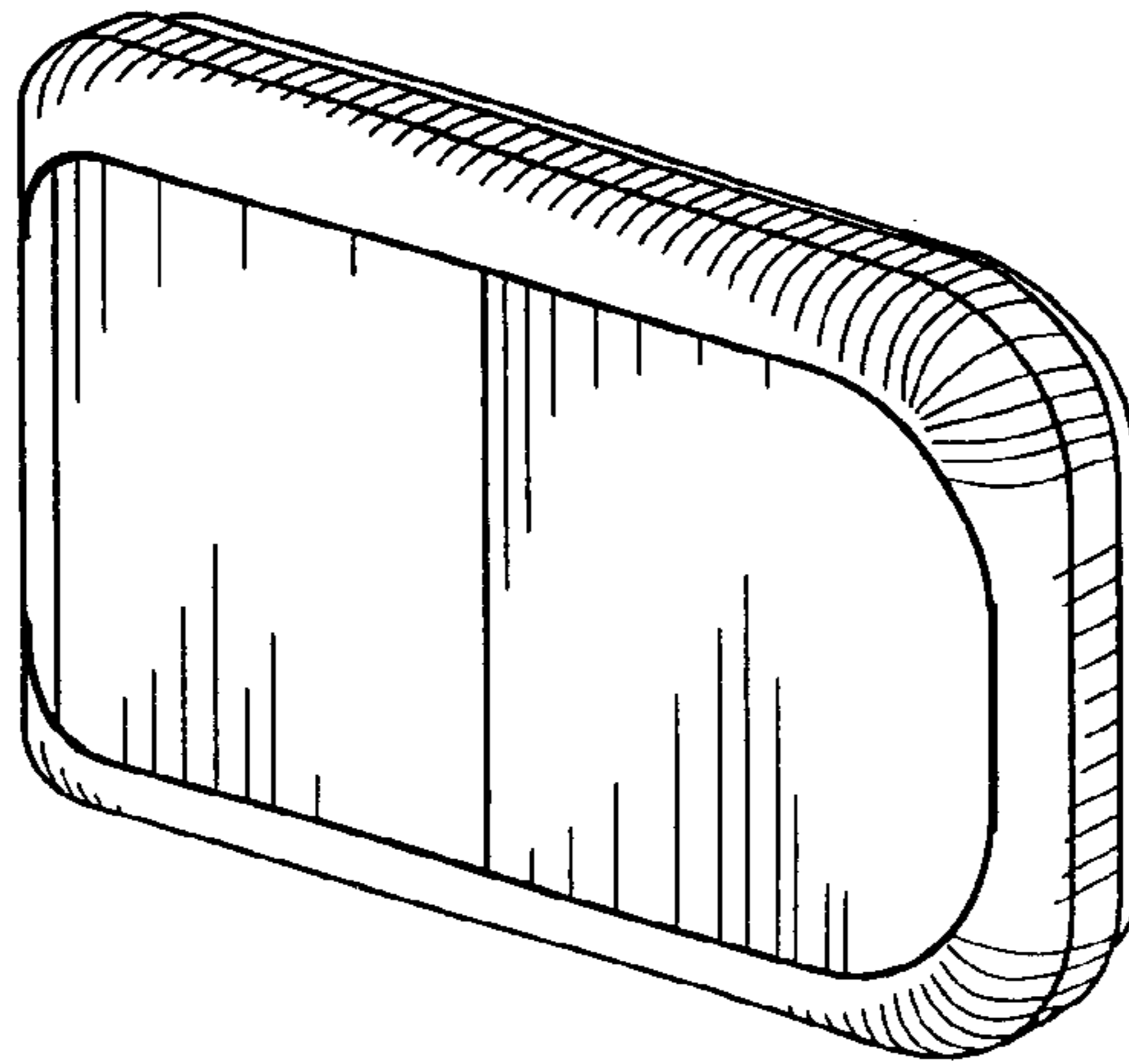


FIG. 4

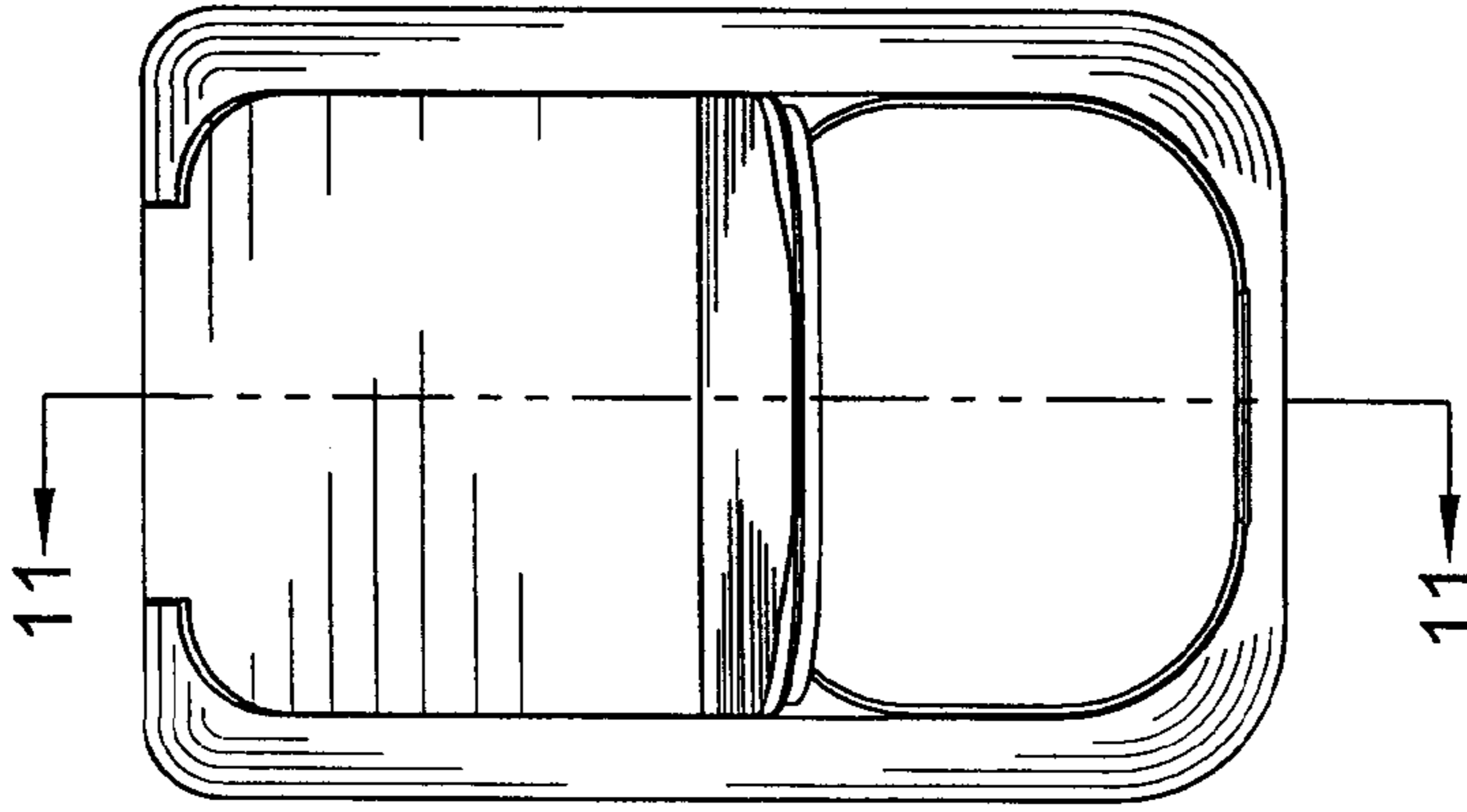
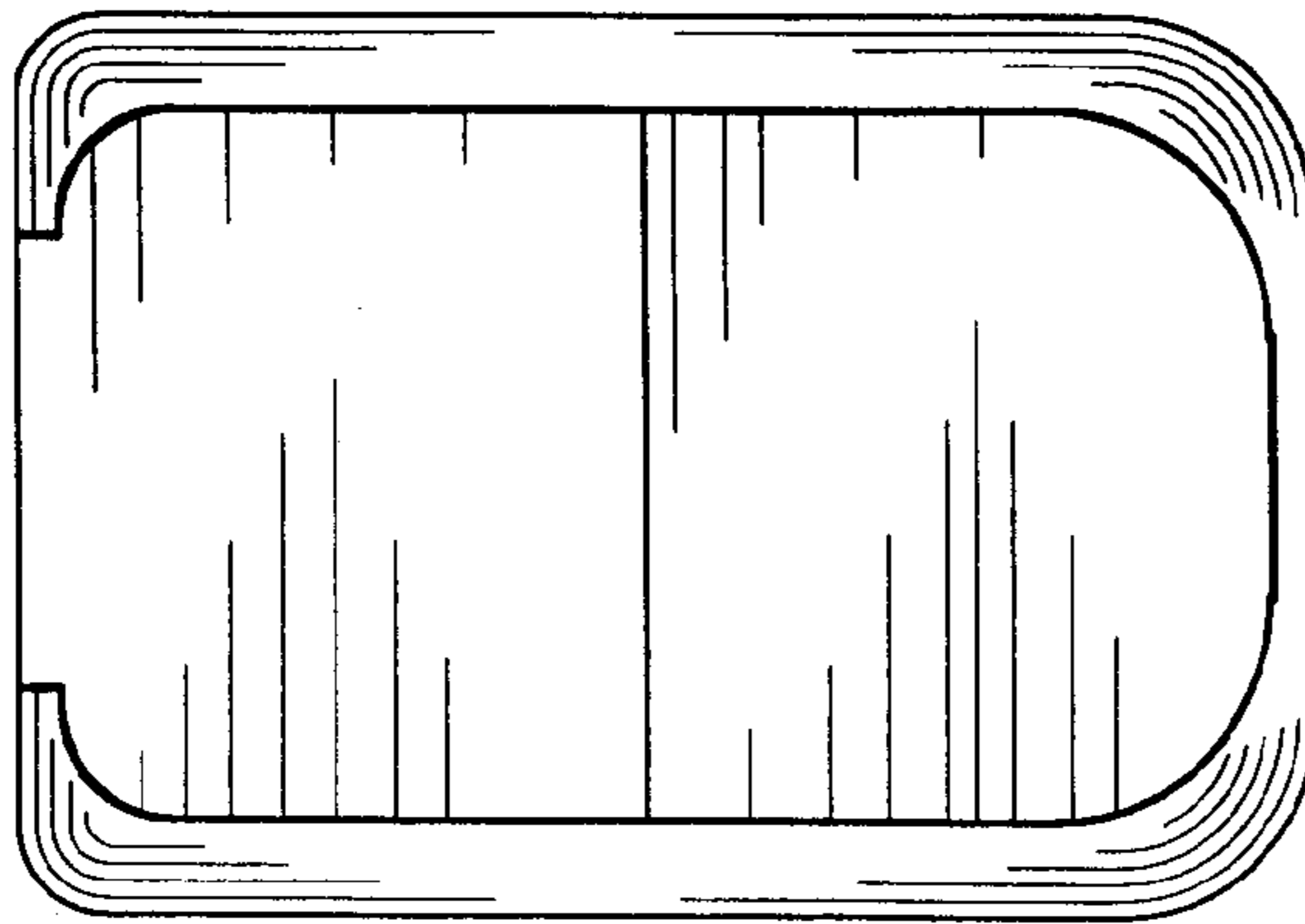


FIG. 3



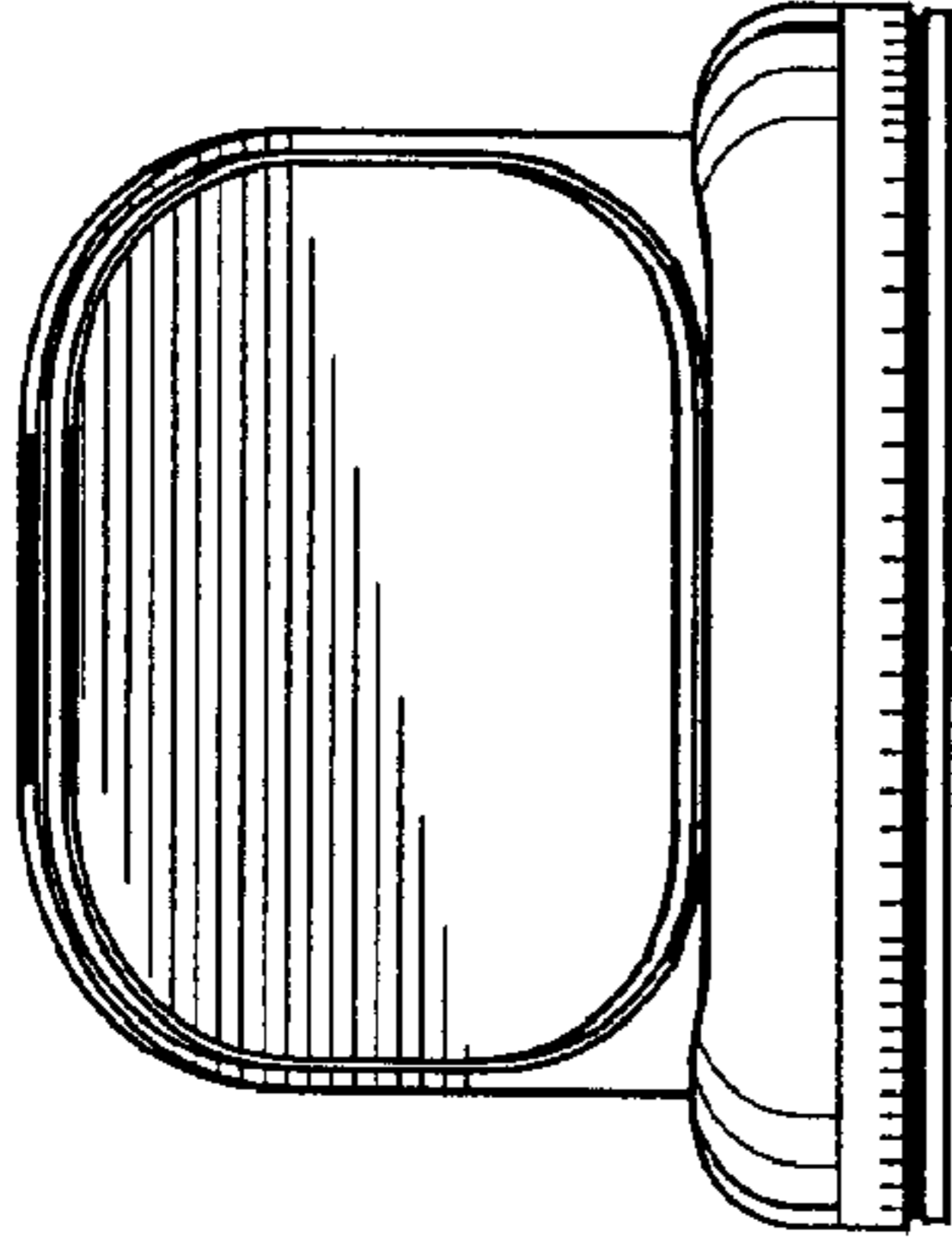


FIG. 7

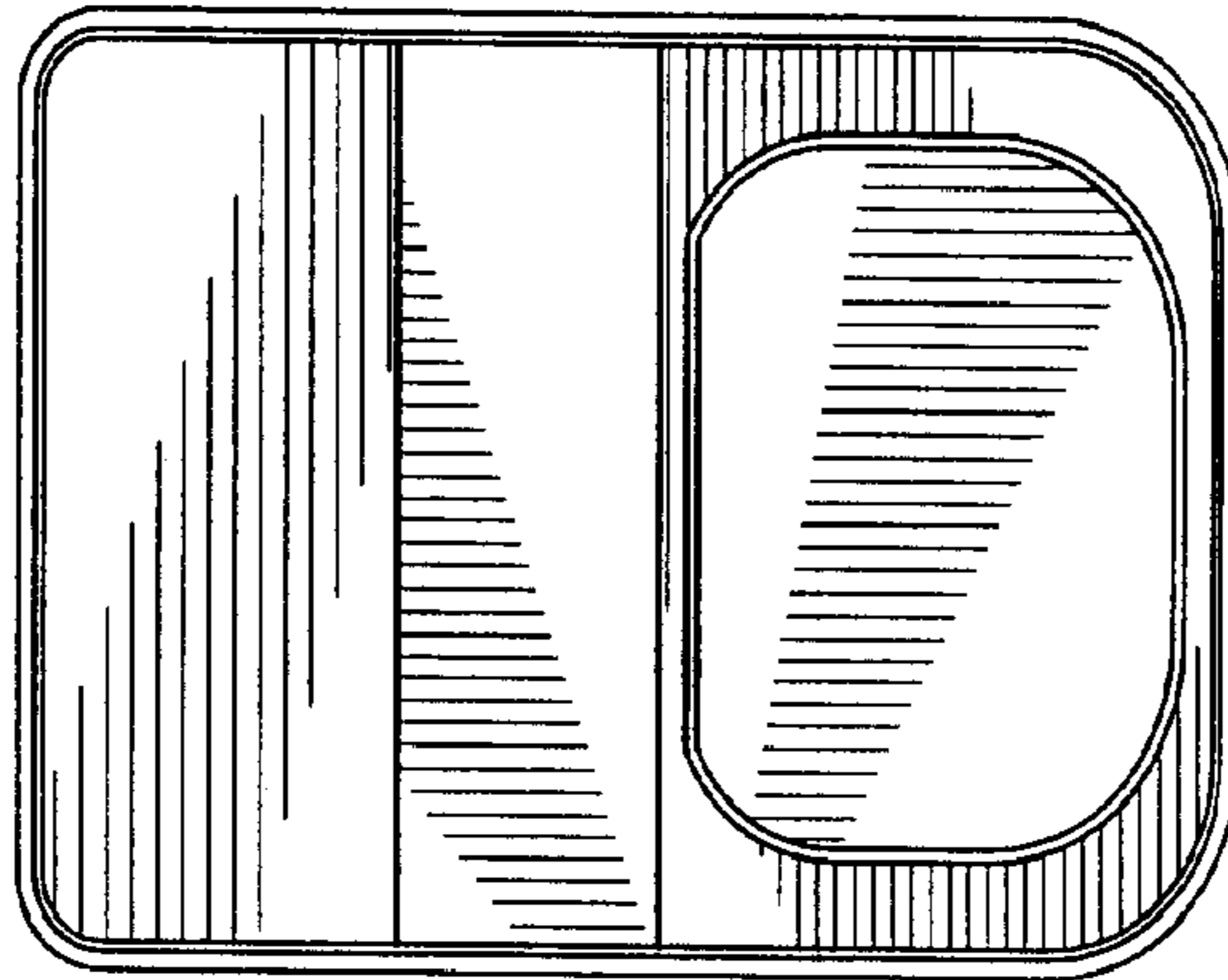


FIG. 8

FIG. 5

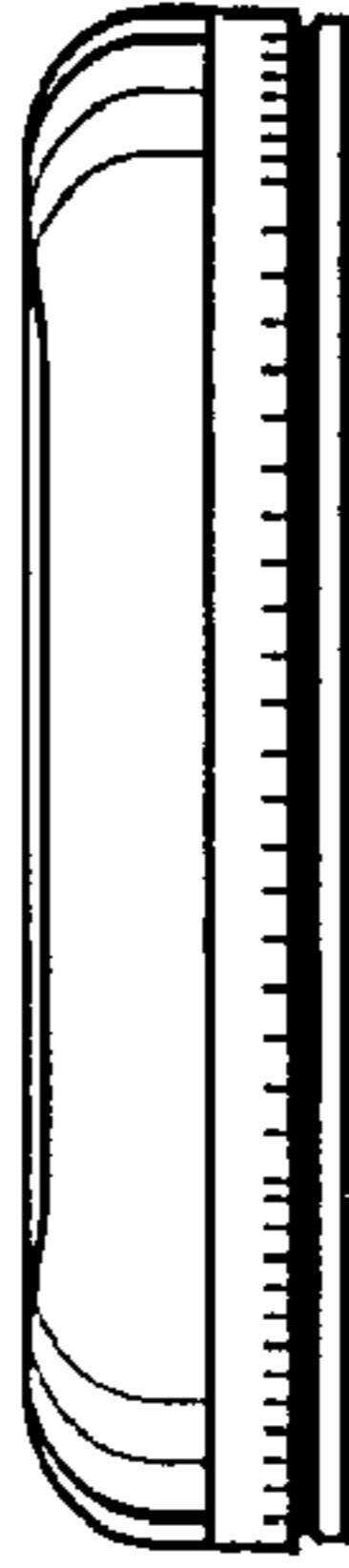


FIG. 6

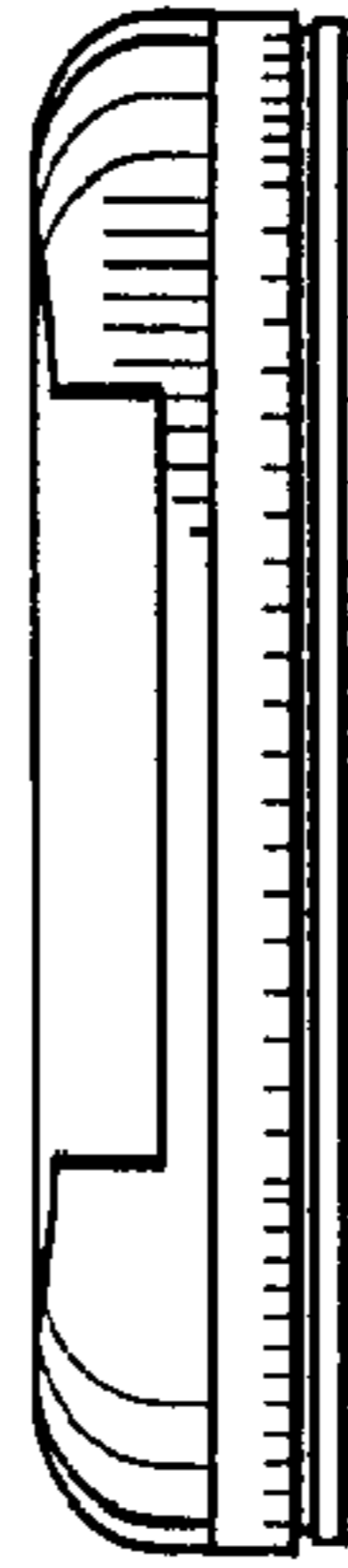


FIG. 9

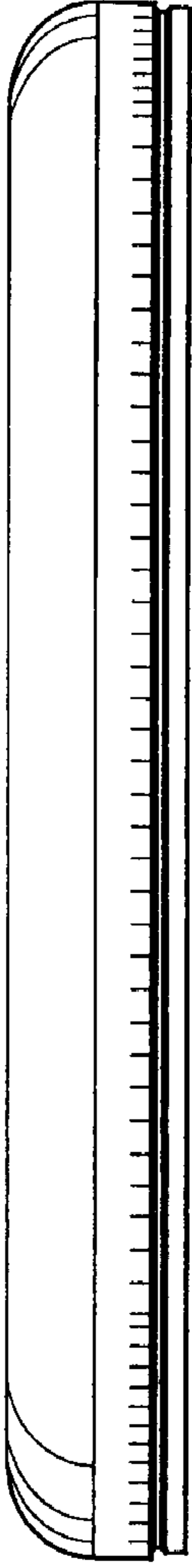
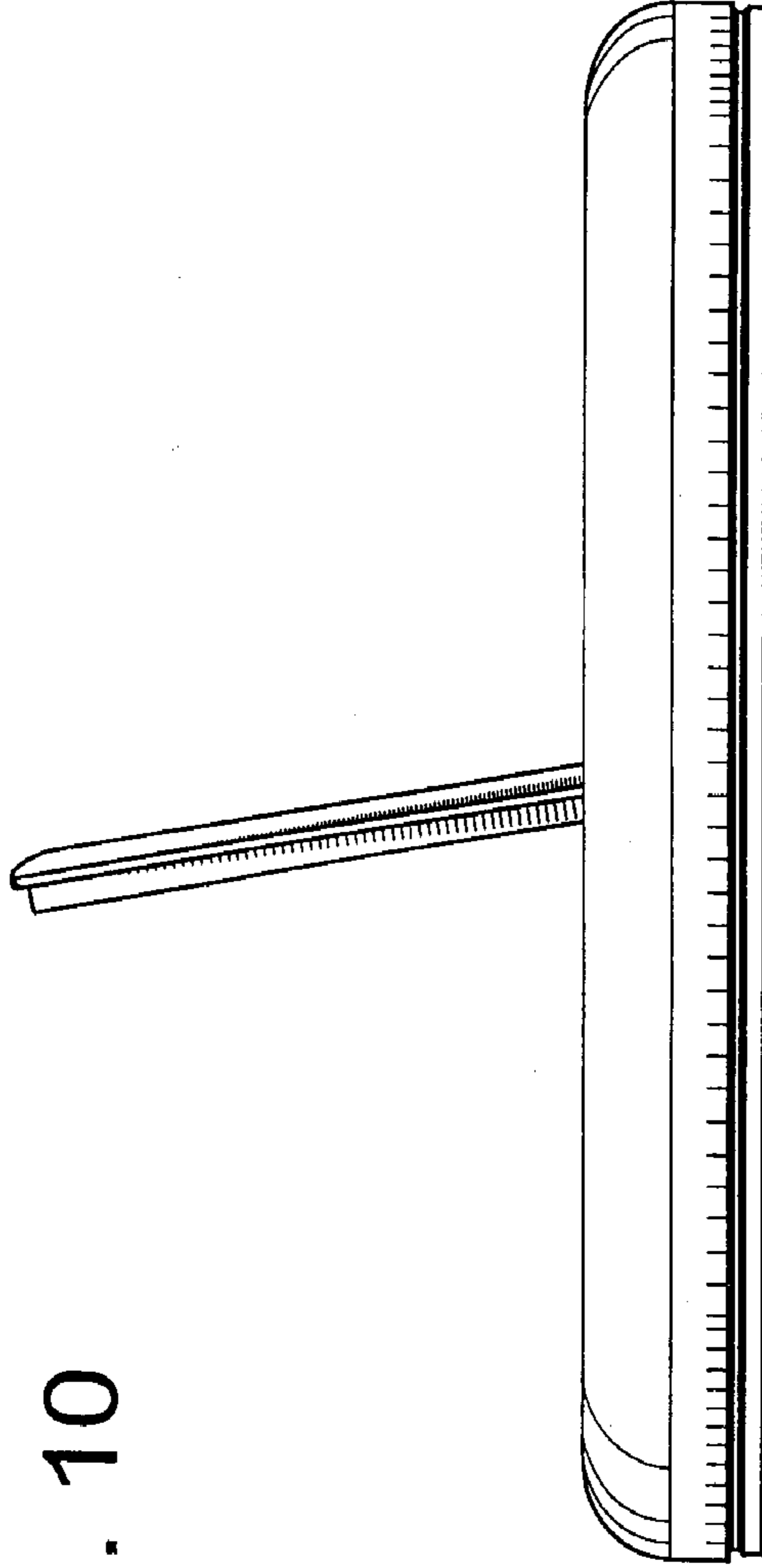


FIG. 10



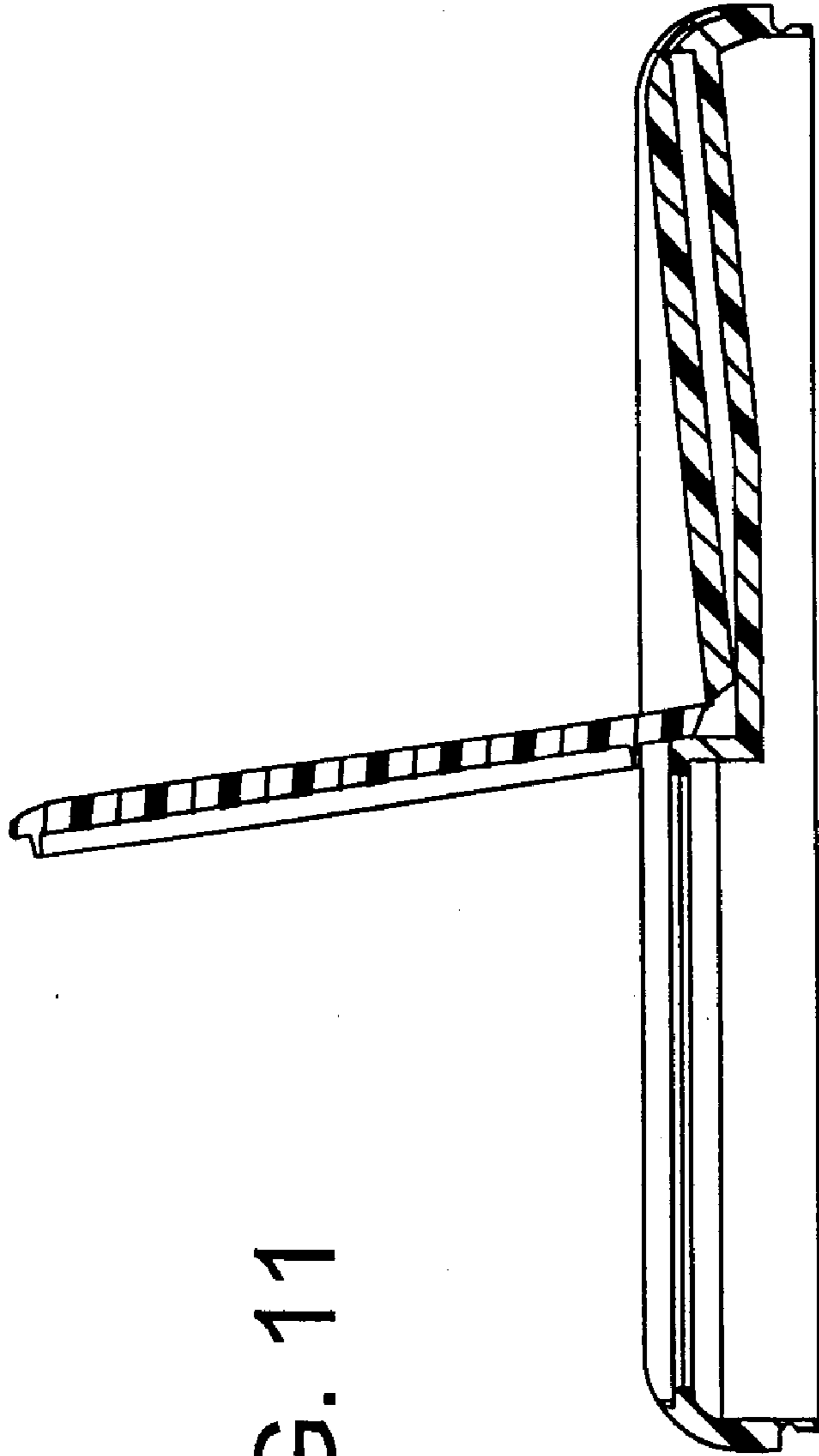


FIG. 11