



US00D467800S

(12) **United States Design Patent**  
**Chen et al.**

(10) **Patent No.:** **US D467,800 S**

(45) **Date of Patent:** **\*\* Dec. 31, 2002**

(54) **OVAL CONTAINER**

(75) Inventors: **Jeffrey Chen**, Woodbury, NY (US);  
**Corey Chen**, Brooklyn, NY (US)

(73) Assignee: **Newspring Industrial Corporation**,  
Kearny, NJ (US)

(\*\*) Term: **14 Years**

(21) Appl. No.: **29/148,928**

(22) Filed: **Sep. 28, 2001**

(51) **LOC (7) Cl.** ..... **09-03**

(52) **U.S. Cl.** ..... **D9/429; D9/428**

(58) **Field of Search** ..... D9/420-426, 428,  
D9/429, 337; D7/629, 612-615; 206/508,  
541; 220/780-784, 834, 376, 377, 380,  
675, 674; 229/406, 407, 400, 404

(56) **References Cited**

**U.S. PATENT DOCUMENTS**

2,880,859	A	4/1959	Tupper	
3,044,610	A	* 7/1962	Tupper	D7/629 X
3,094,240	A	* 6/1963	Wanderer	229/400
3,150,811	A	* 9/1964	Amberg	229/404
3,394,861	A	7/1968	Truax	
3,720,365	A	3/1973	Unger	
3,955,710	A	5/1976	Commisso	
D246,289	S	11/1977	Boucher	
D263,684	S	4/1982	Davis	
4,972,063	A	* 11/1990	Guarriello et al.	220/659
4,974,738	A	12/1990	Kidd et al.	
D317,126	S	* 5/1991	Morris, Sr.	D9/428
D335,085	S	4/1993	Wacker	
5,220,999	A	6/1993	Goulette	
D339,744	S	9/1993	Seppala	
5,377,860	A	1/1995	Littlejohn et al.	
5,377,861	A	* 1/1995	Landis	206/508

D357,552	S	4/1995	Carranza	
5,409,128	A	* 4/1995	Mitchell	206/508
D361,956	S	* 9/1995	Moore	D9/428
D372,862	S	8/1996	Fiori	
D373,954	S	9/1996	Wolf	
D375,261	S	11/1996	Fiori	
D380,124	S	6/1997	Kato et al.	
D382,796	S	8/1997	Mangla	
D383,671	S	* 9/1997	Phillips	D9/429
D389,057	S	1/1998	Hayes et al.	
D415,420	S	10/1999	Chen	
D439,159	S	3/2001	Chen	

\* cited by examiner

*Primary Examiner*—Prabhakar Deshmukh

(74) *Attorney, Agent, or Firm*—Gibbons, Del Deo, Dolan,  
Griffinger & Vecchione

(57) **CLAIM**

We claim the ornamental design for the oval container, as shown.

**DESCRIPTION**

FIG. 1 is a perspective exploded view of an oval container including a base and lid revealing the inside of the base and the underside of the lid;

FIG. 2 is a front view of the container base and lid;

FIG. 3 is a side view of the container base and lid;

FIG. 4 is a top plan view of the container base and lid;

FIG. 5 is a bottom plan view of the container base and lid;

FIG. 6 is a bottom plan view of the lid;

FIG. 7 is a top plan view of the container base;

FIG. 8 is a bottom plan view of the container base;

FIG. 9 is a front view of the lid;

FIG. 10 is a front view of the container base;

FIG. 11 is a side view of the lid; and,

FIG. 12 is a side view of the container base.

**1 Claim, 6 Drawing Sheets**

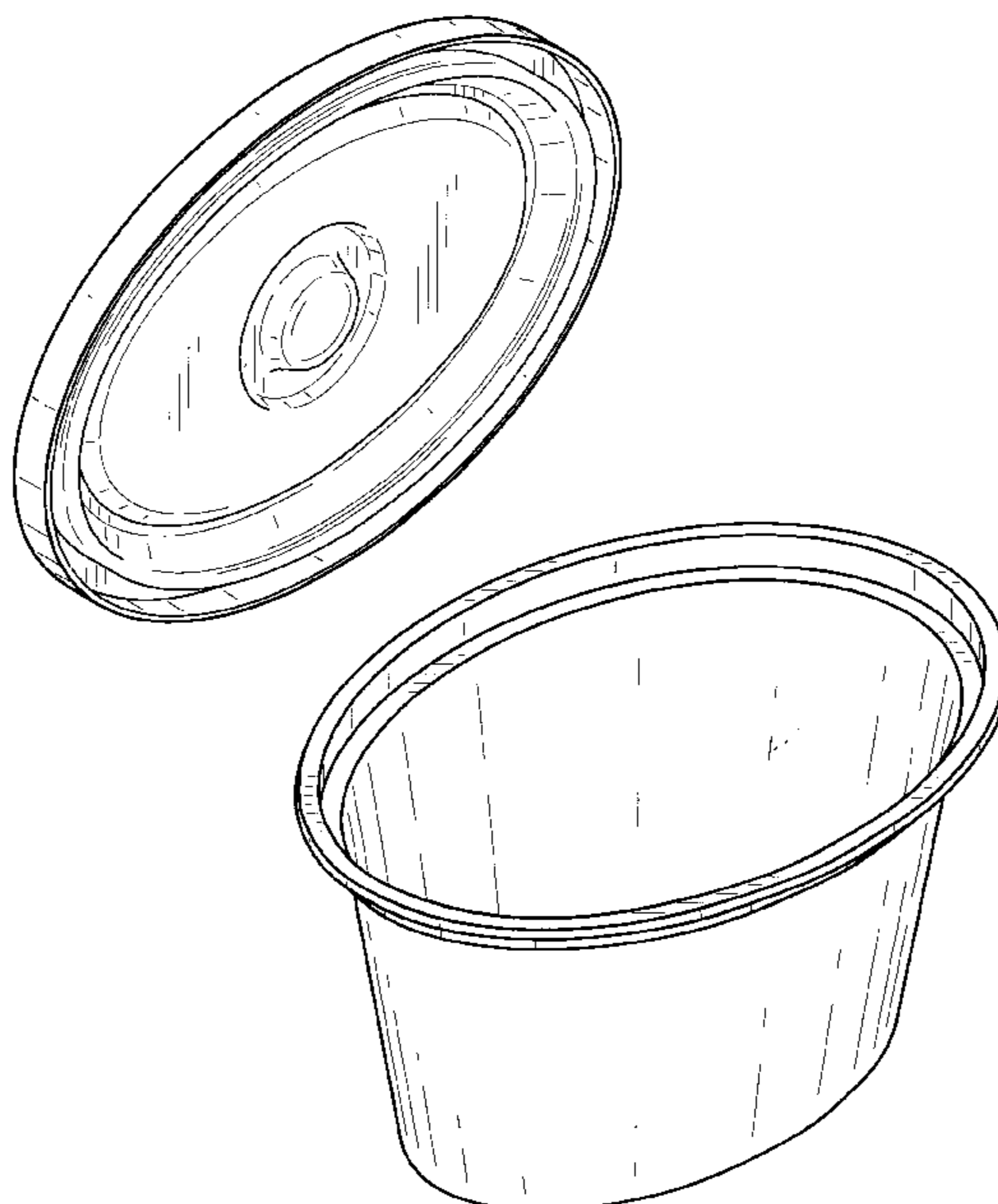
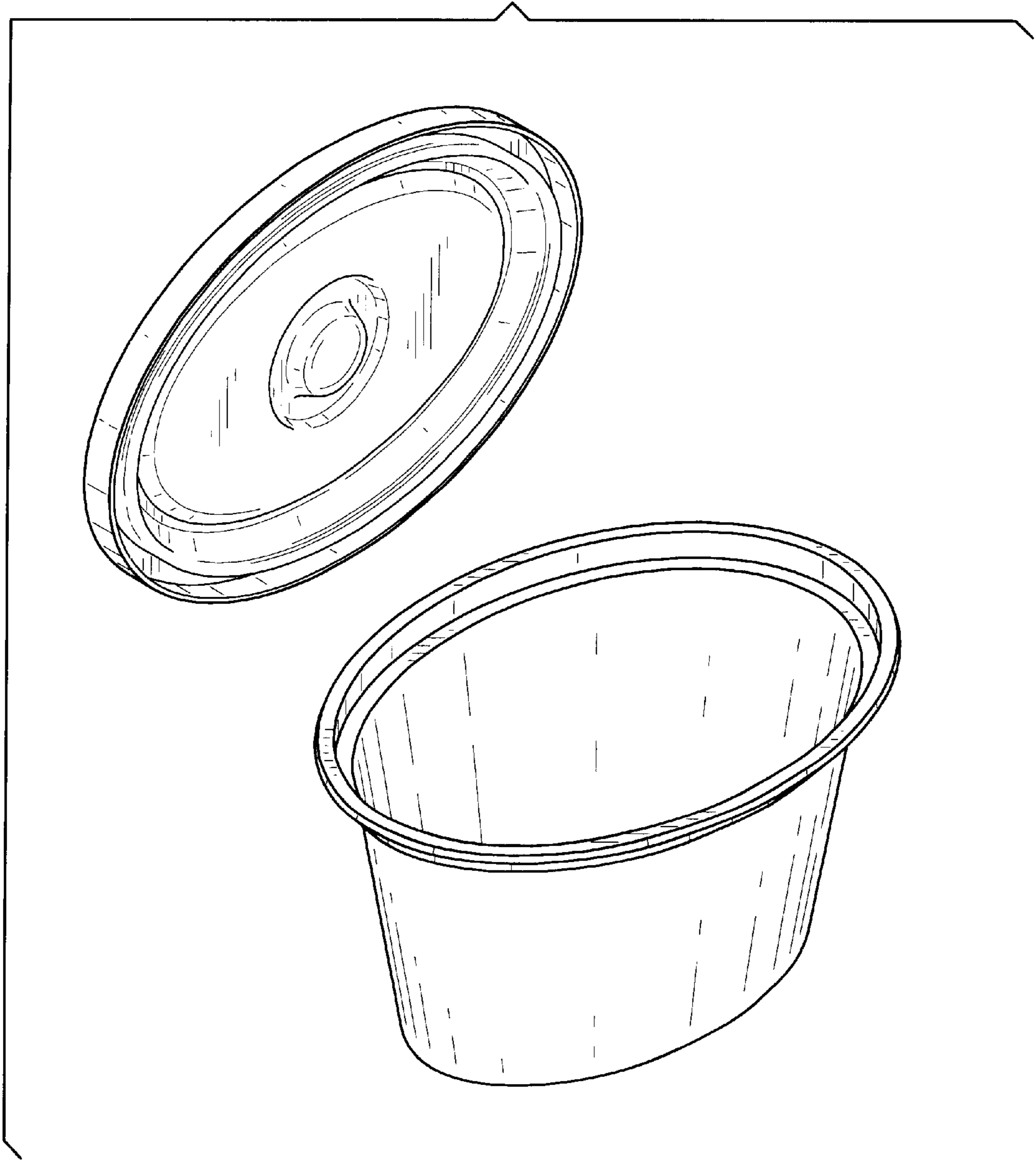
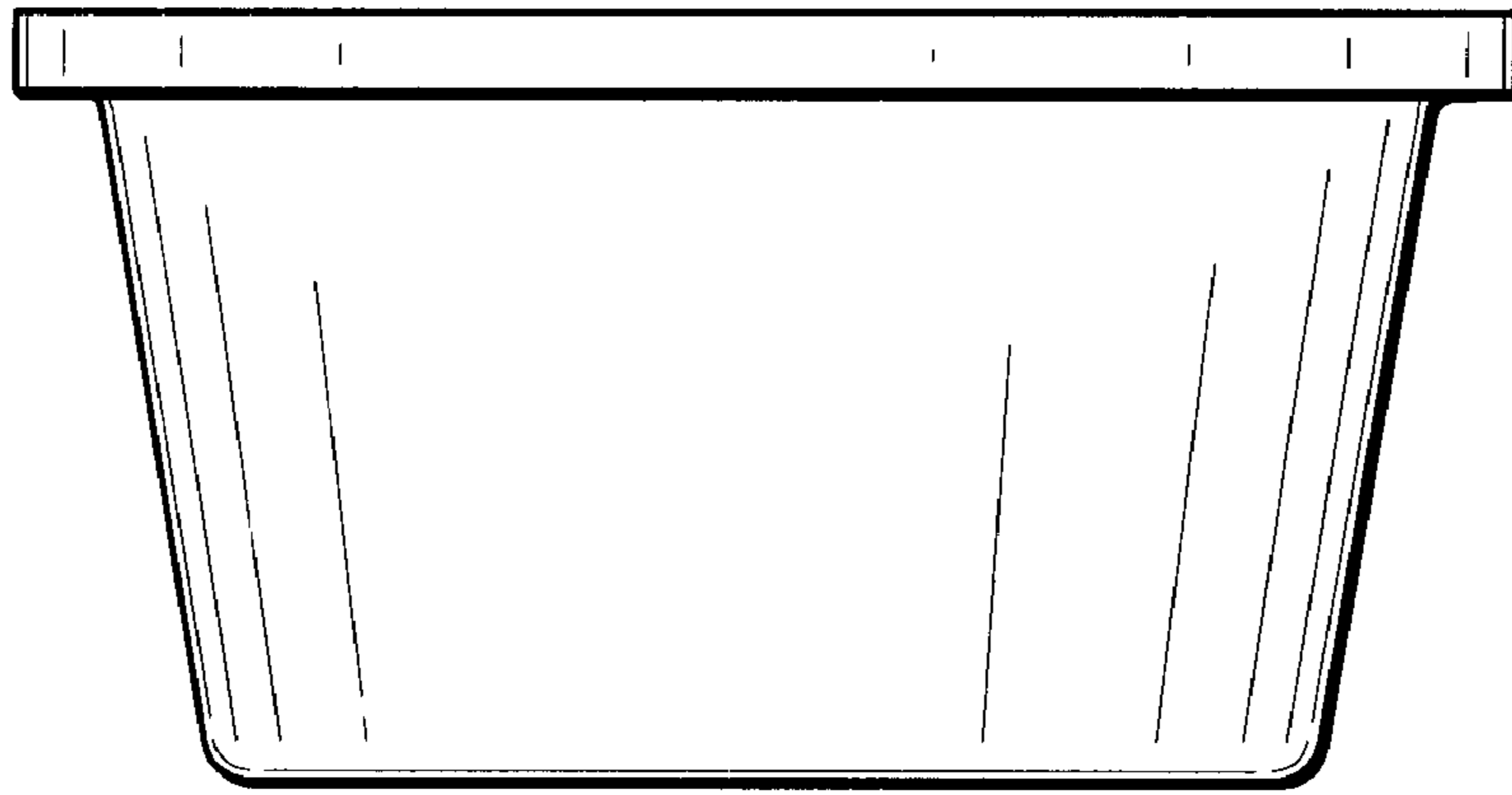


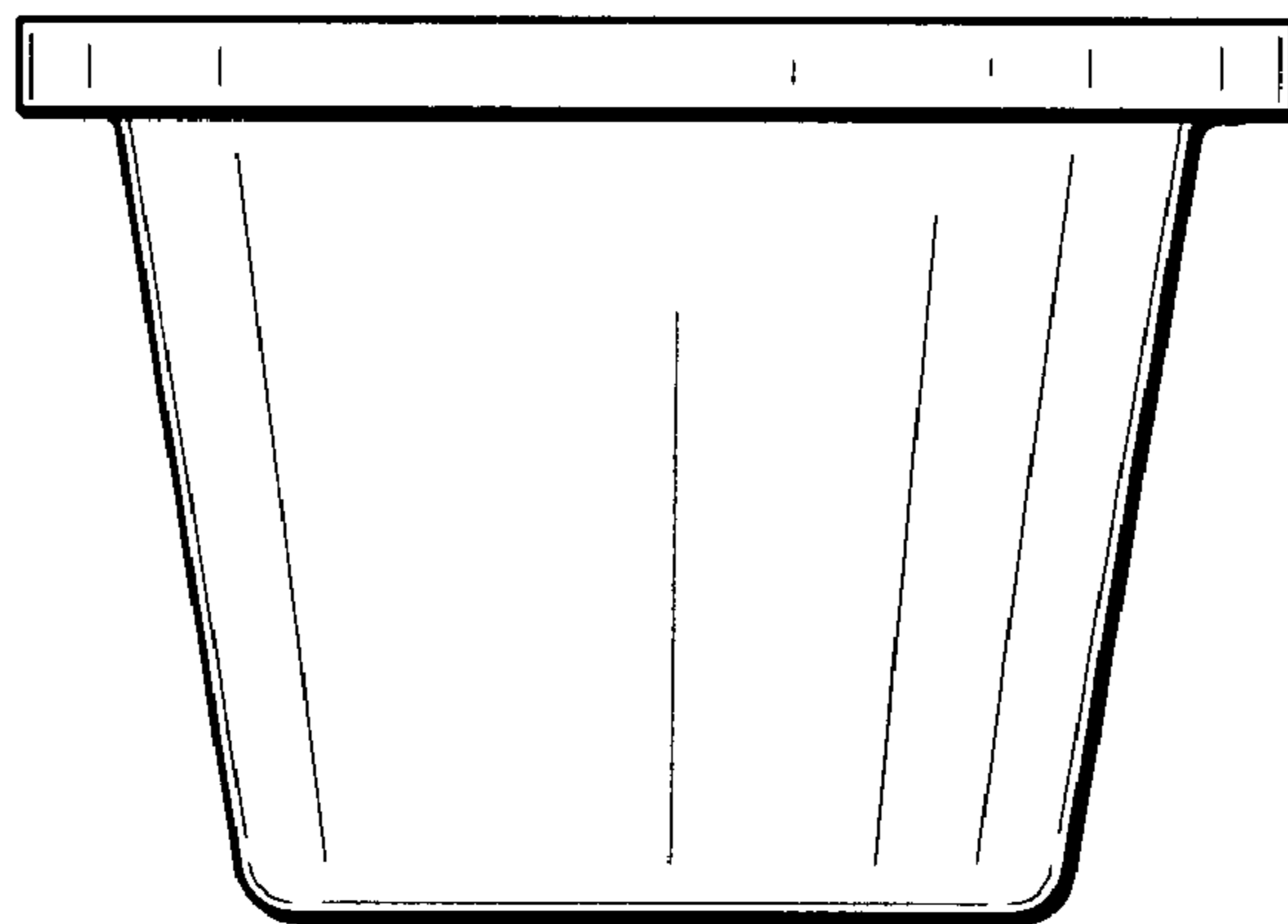
FIG. 1



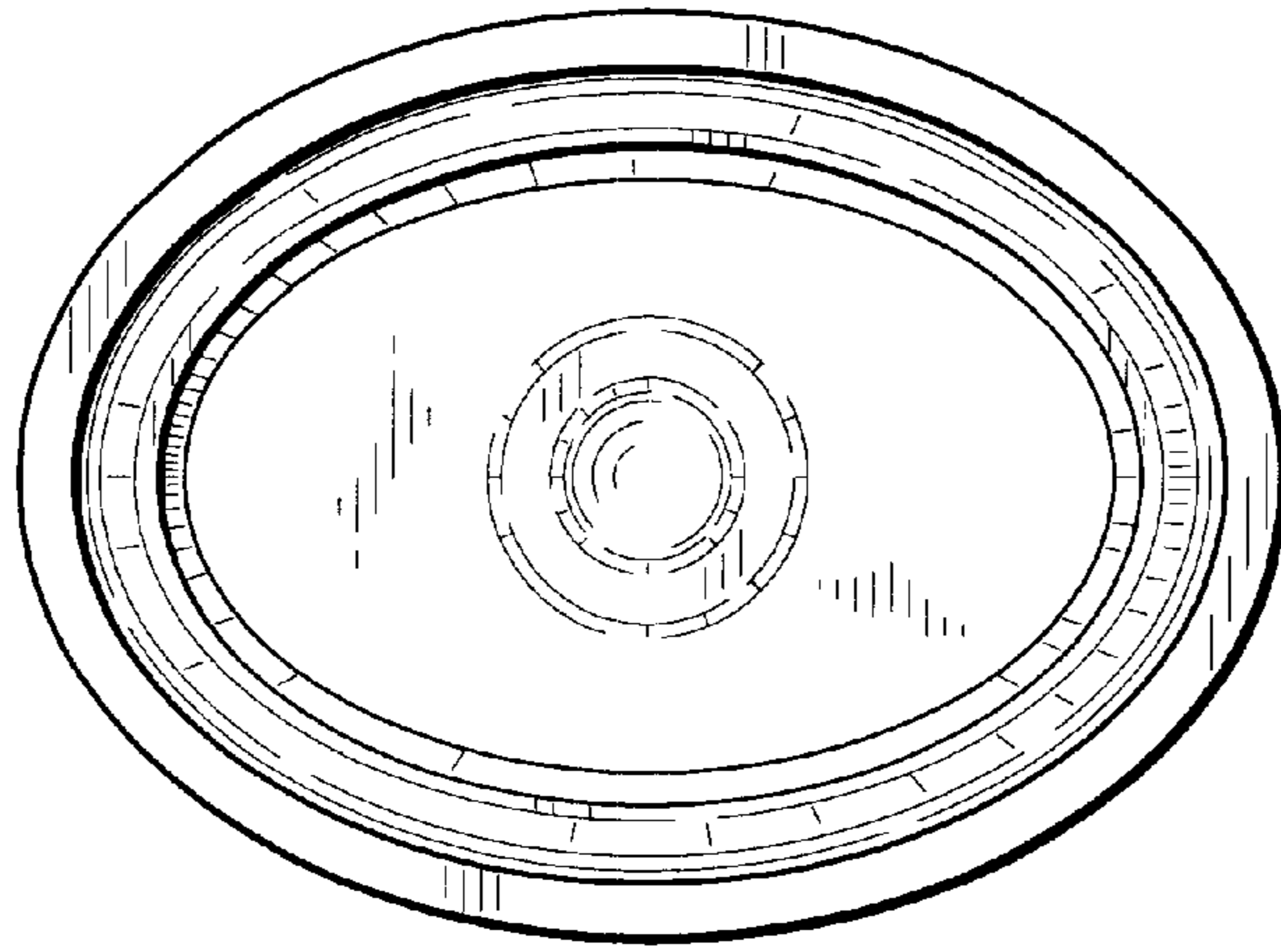
*FIG. 2*



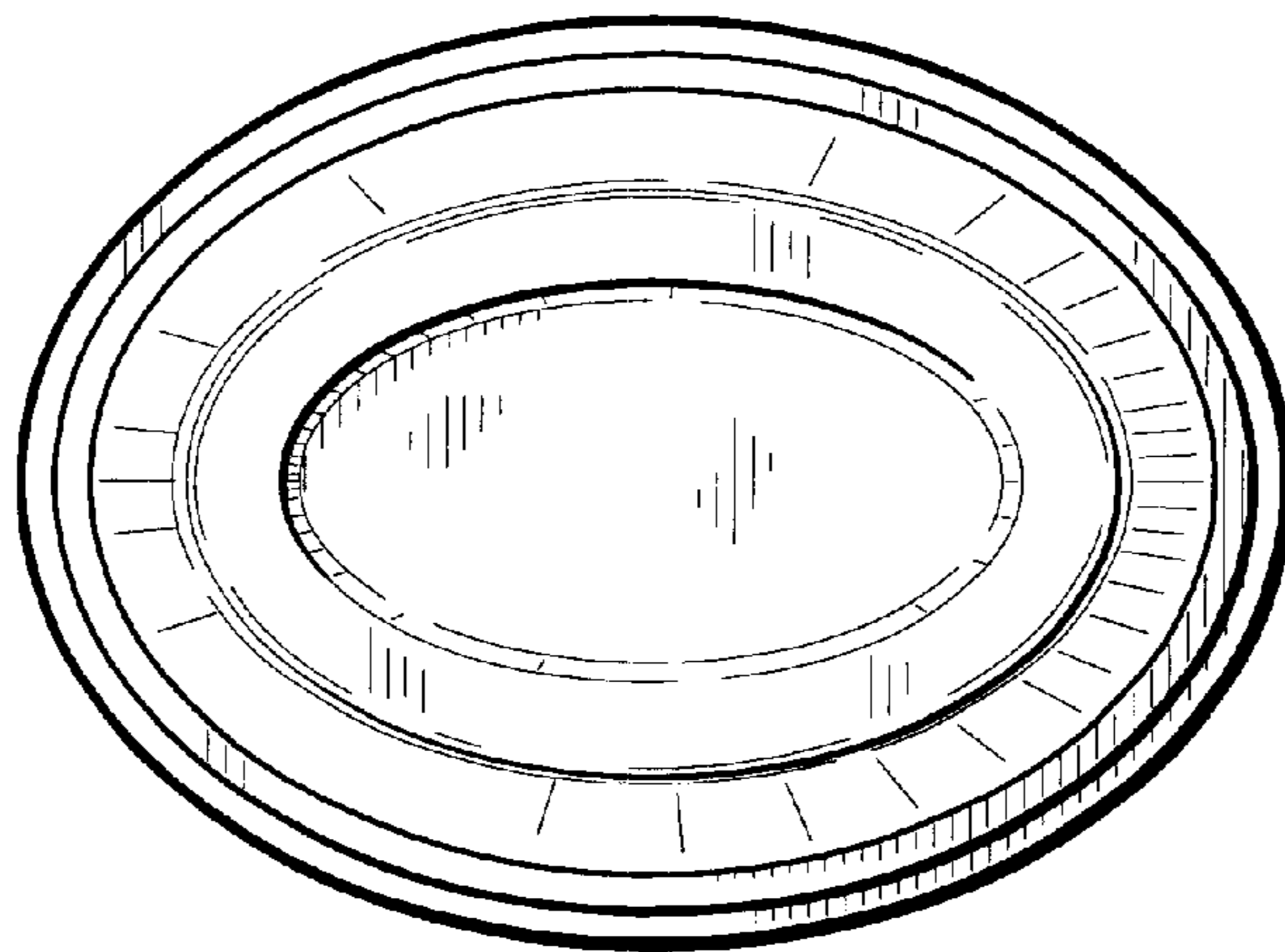
*FIG. 3*



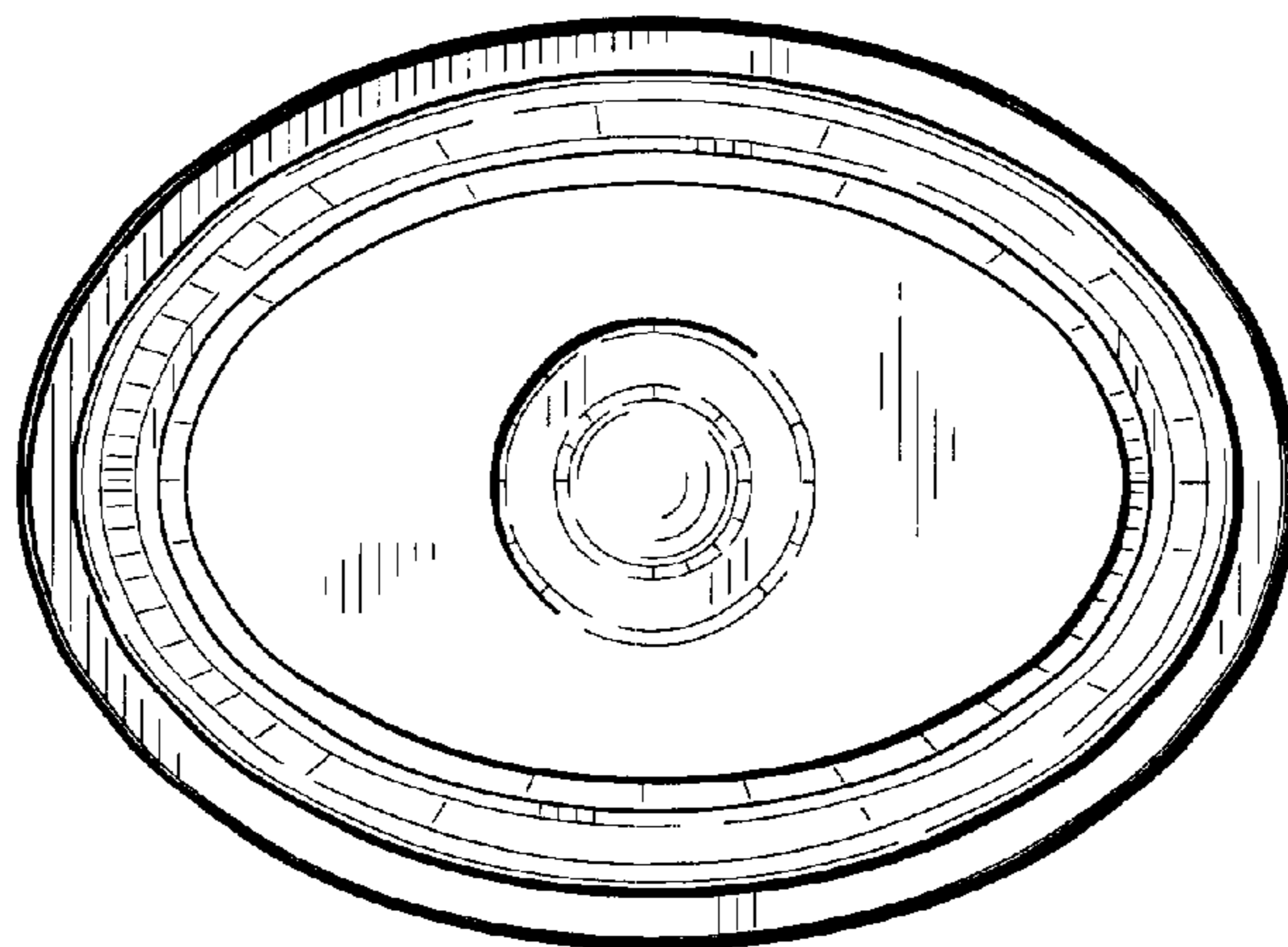
*FIG. 4*



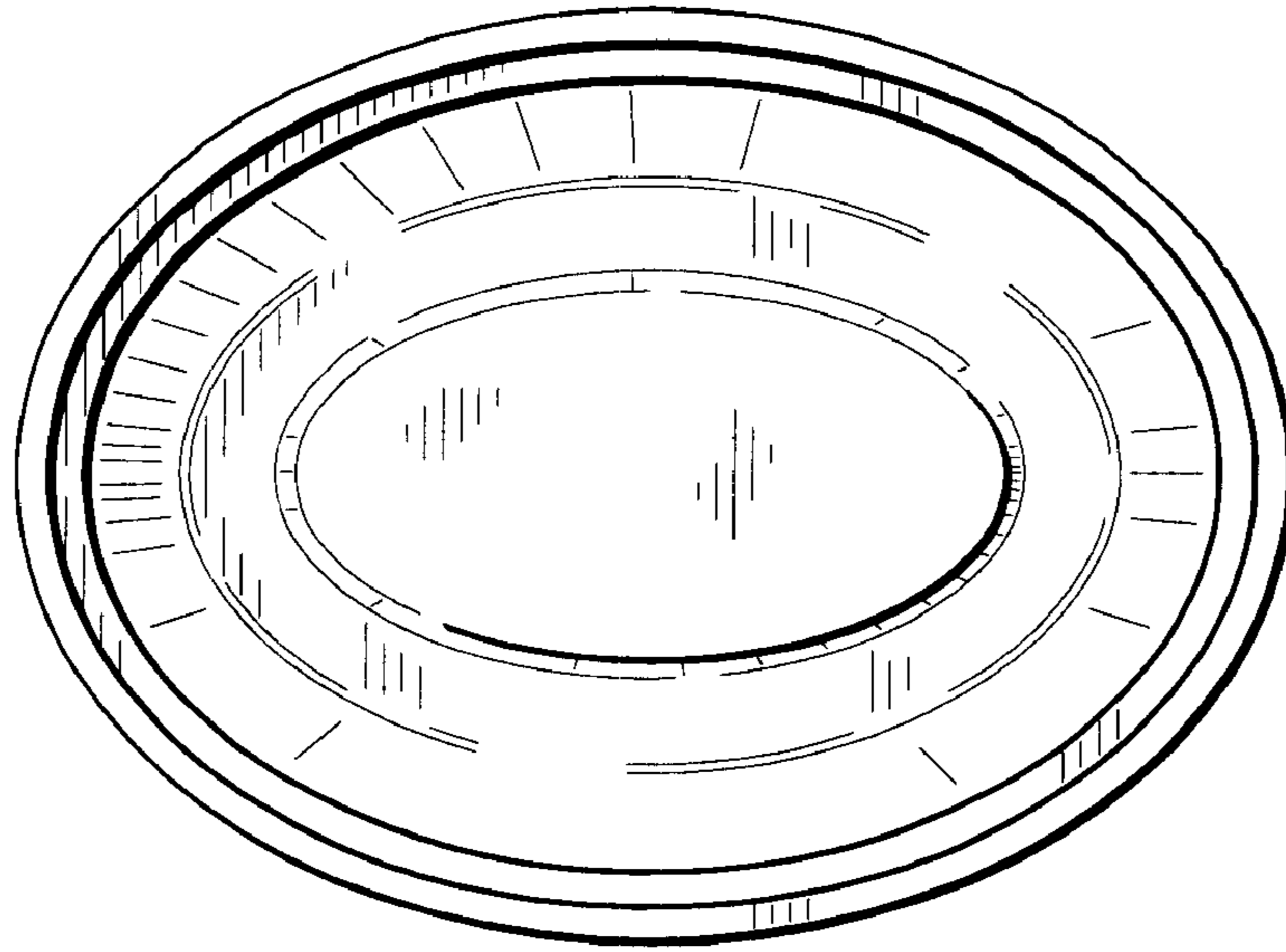
*FIG. 5*



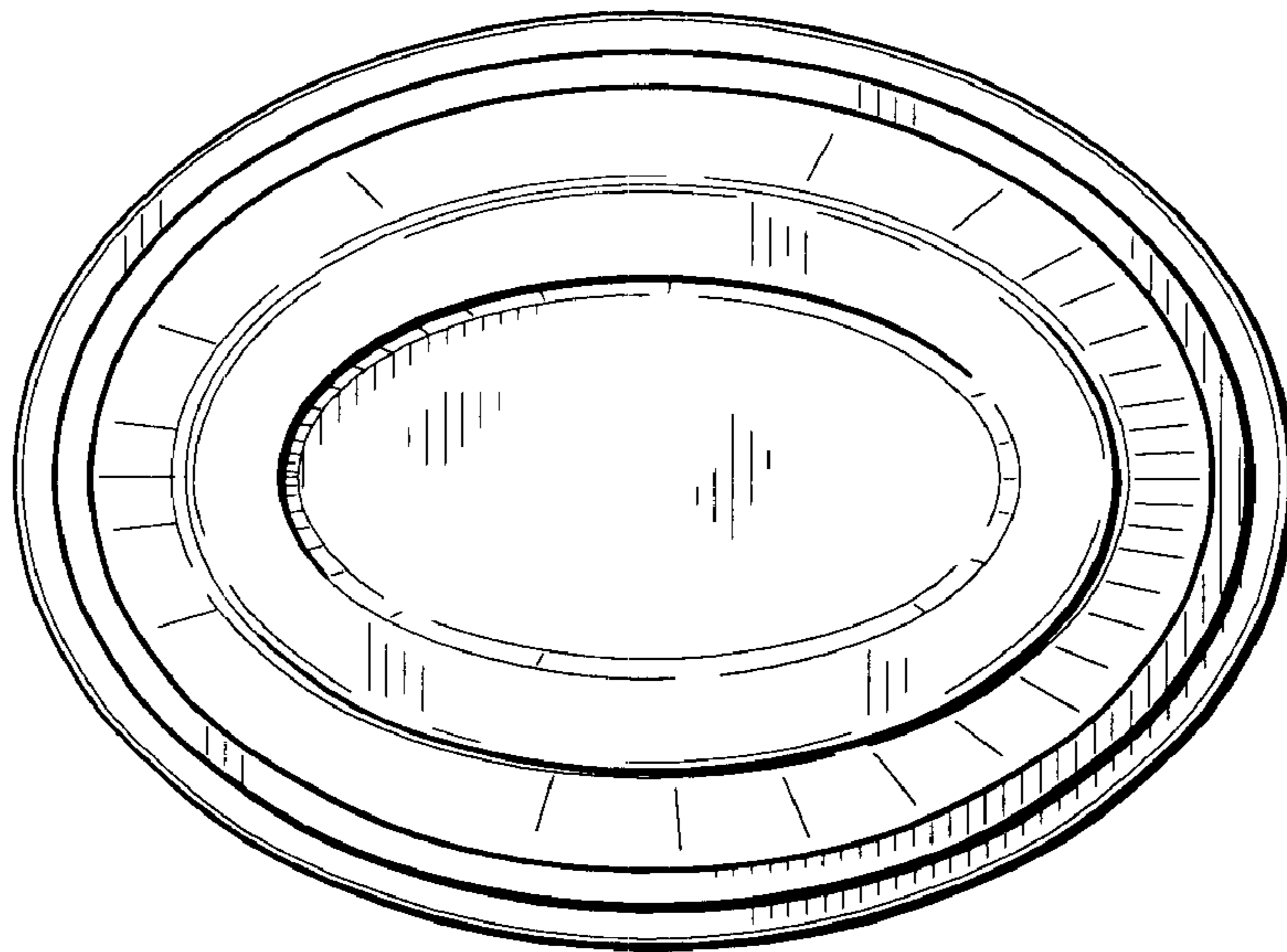
*FIG. 6*



**FIG. 7**



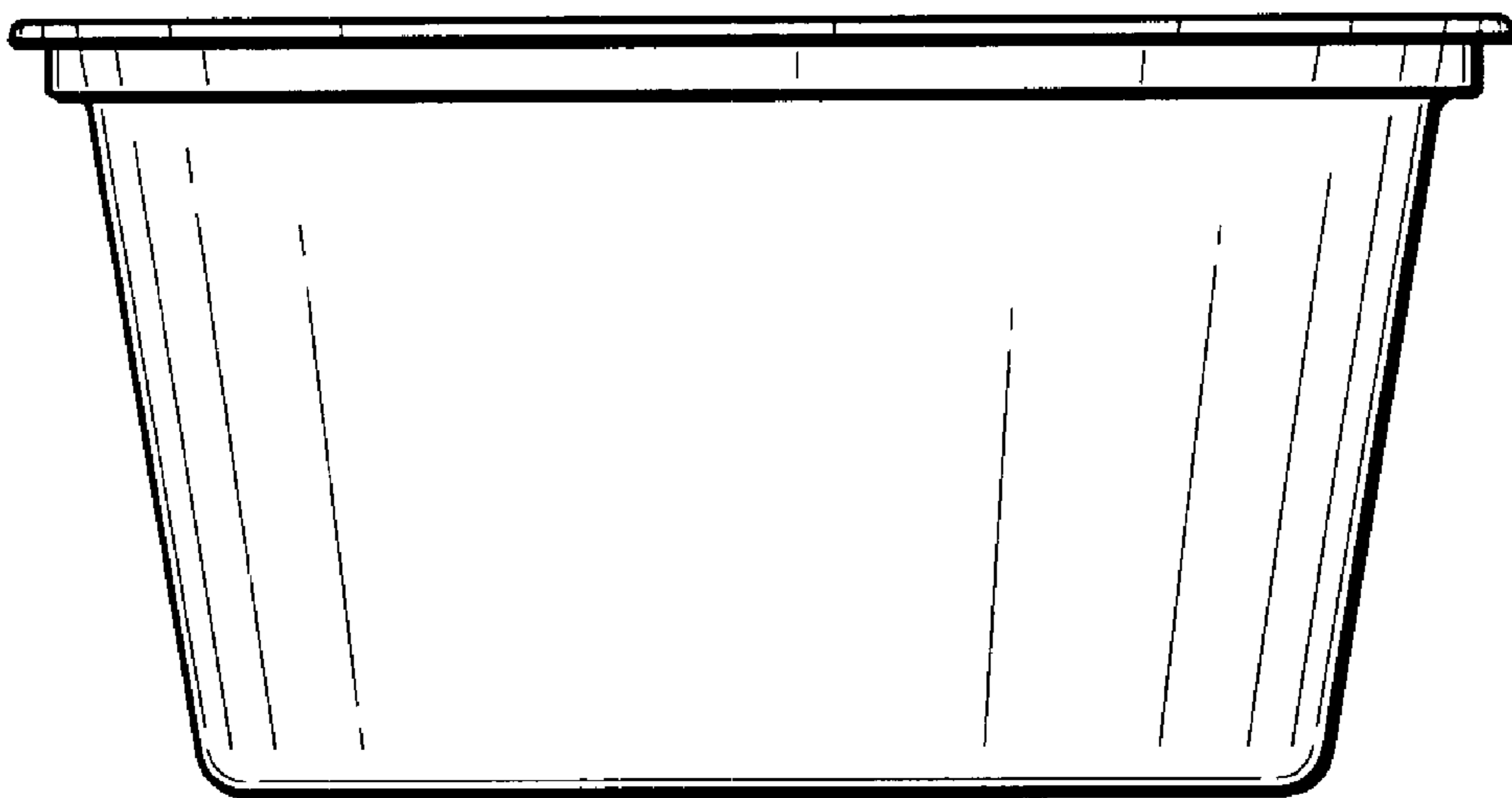
**FIG. 8**



**FIG. 9**



**FIG. 10**



**FIG. 11**



**FIG. 12**

