



US00D467798S

(12) **United States Design Patent**
Cohon

(10) **Patent No.:** **US D467,798 S**

(45) **Date of Patent:** **** Dec. 31, 2002**

(54) **CARRYING CONTAINER**

(76) Inventor: **Richard Cohon**, 600 Summit Ave.,
Hackensack, NJ (US) 07601

(**) Term: **14 Years**

(21) Appl. No.: **29/155,653**

(22) Filed: **Feb. 13, 2002**

(51) **LOC (7) Cl.** **09-03**

(52) **U.S. Cl.** **D9/418; D9/431**

(58) **Field of Search** D9/414, 415, 418,
D9/430, 431, 432; 229/117.09, 117.15,
117.21, 117.23, 117.24, 117.25, 117.26,
162, 902, 906, 910, 914, 938

(56) **References Cited**

U.S. PATENT DOCUMENTS

902,932	A	*	11/1908	Bloomer	229/117.21
1,613,133	A	*	1/1927	Rosener	229/117.21
D80,687	S	*	3/1930	Freed	D9/431
2,340,754	A	*	2/1944	Inman	229/117.21
3,394,863	A	*	7/1968	Wood et al.	229/117.15
4,238,069	A	*	12/1980	Morris, Jr.	229/117.15

D267,475	S	*	1/1983	Maroszek et al.	D9/418
D283,317	S	*	4/1986	Stewart	D9/431
5,423,478	A	*	6/1995	Roosa	229/117.15
D367,816	S	*	3/1996	Cai	D9/431
D442,859	S	*	5/2001	Hirschey	D9/418

* cited by examiner

Primary Examiner—Prabhakar Deshmukh

(74) *Attorney, Agent, or Firm*—Kirschstein, et al.

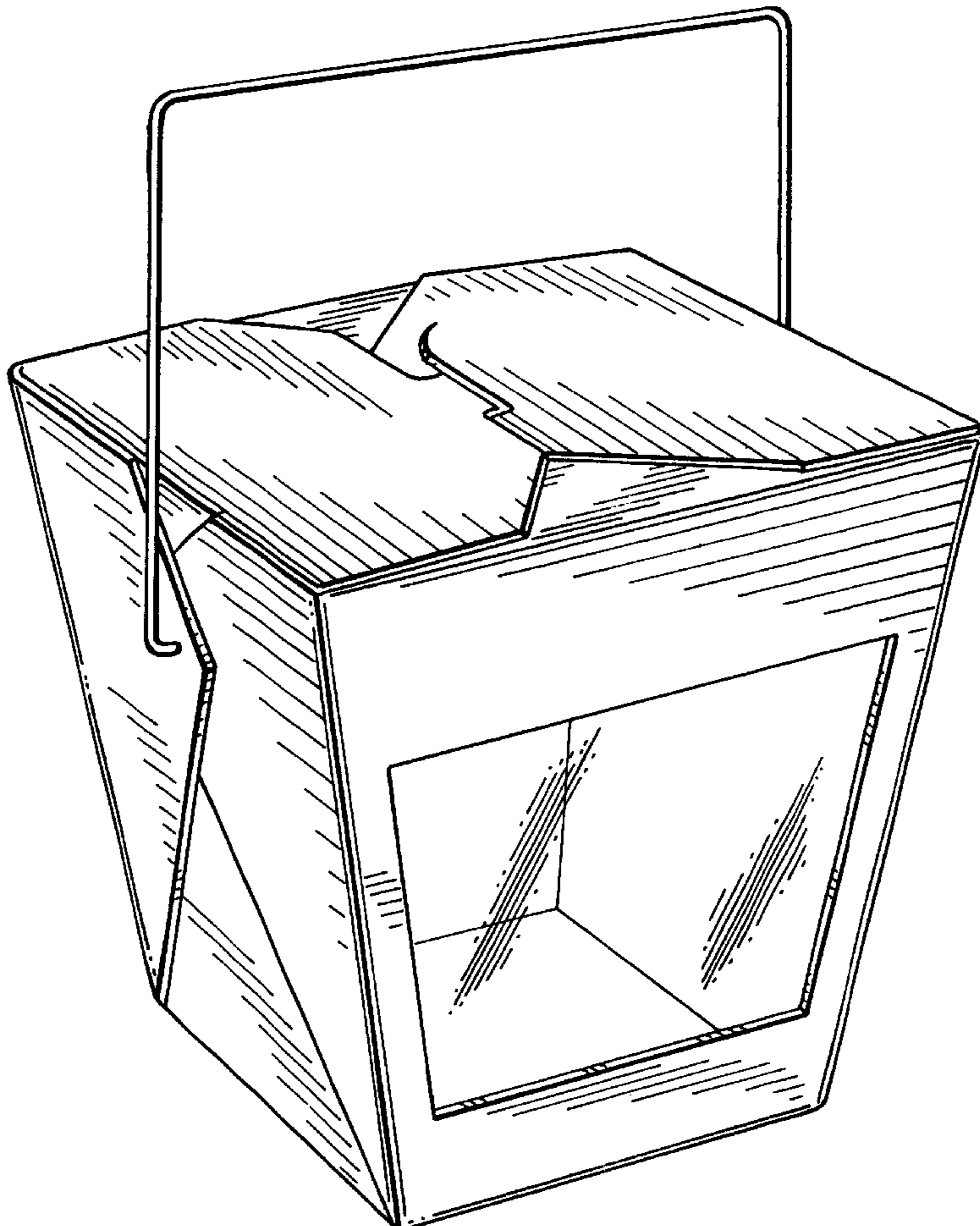
(57) **CLAIM**

The ornamental design for a carrying container, as shown and described.

DESCRIPTION

FIG. 1 is a perspective view of a carrying container according to my new design;
FIG. 2 is a top plan view thereof;
FIG. 3 is a front elevational view thereof;
FIG. 4 is a right side elevational view thereof, the left side being a mirror image;
FIG. 5 is a rear elevational view thereof; and,
FIG. 6 is a bottom plan view thereof.

1 Claim, 3 Drawing Sheets



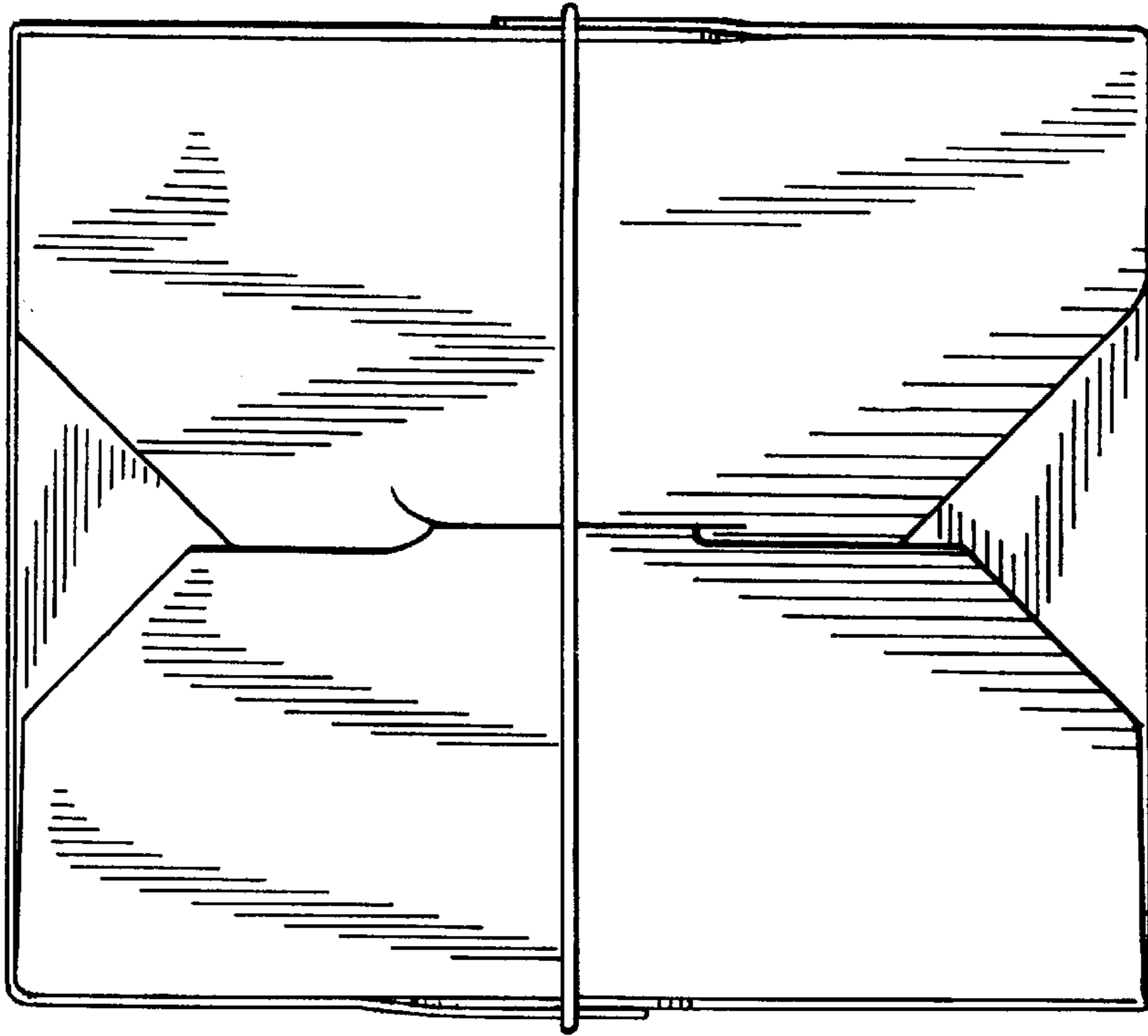
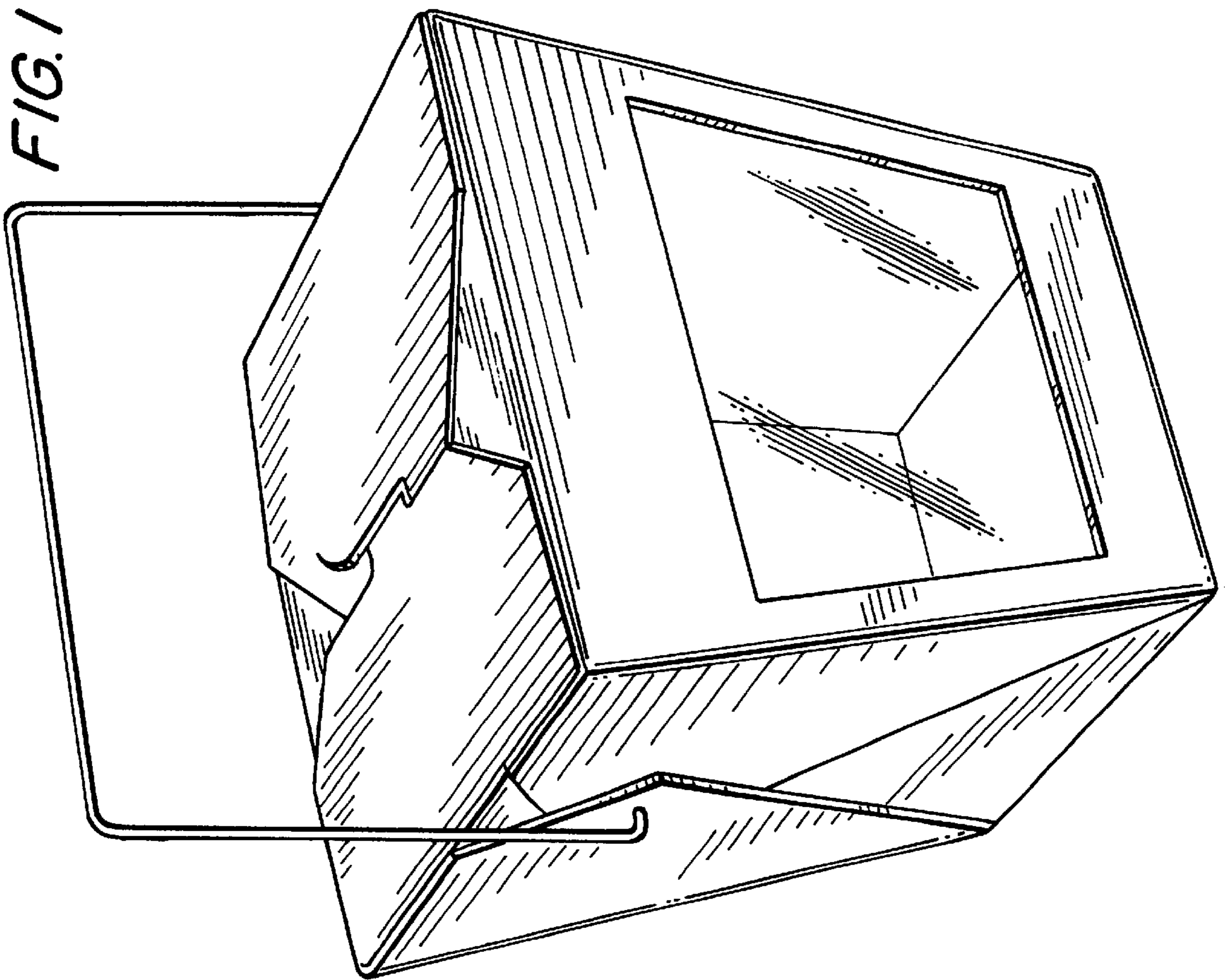


FIG. 2

FIG. 1



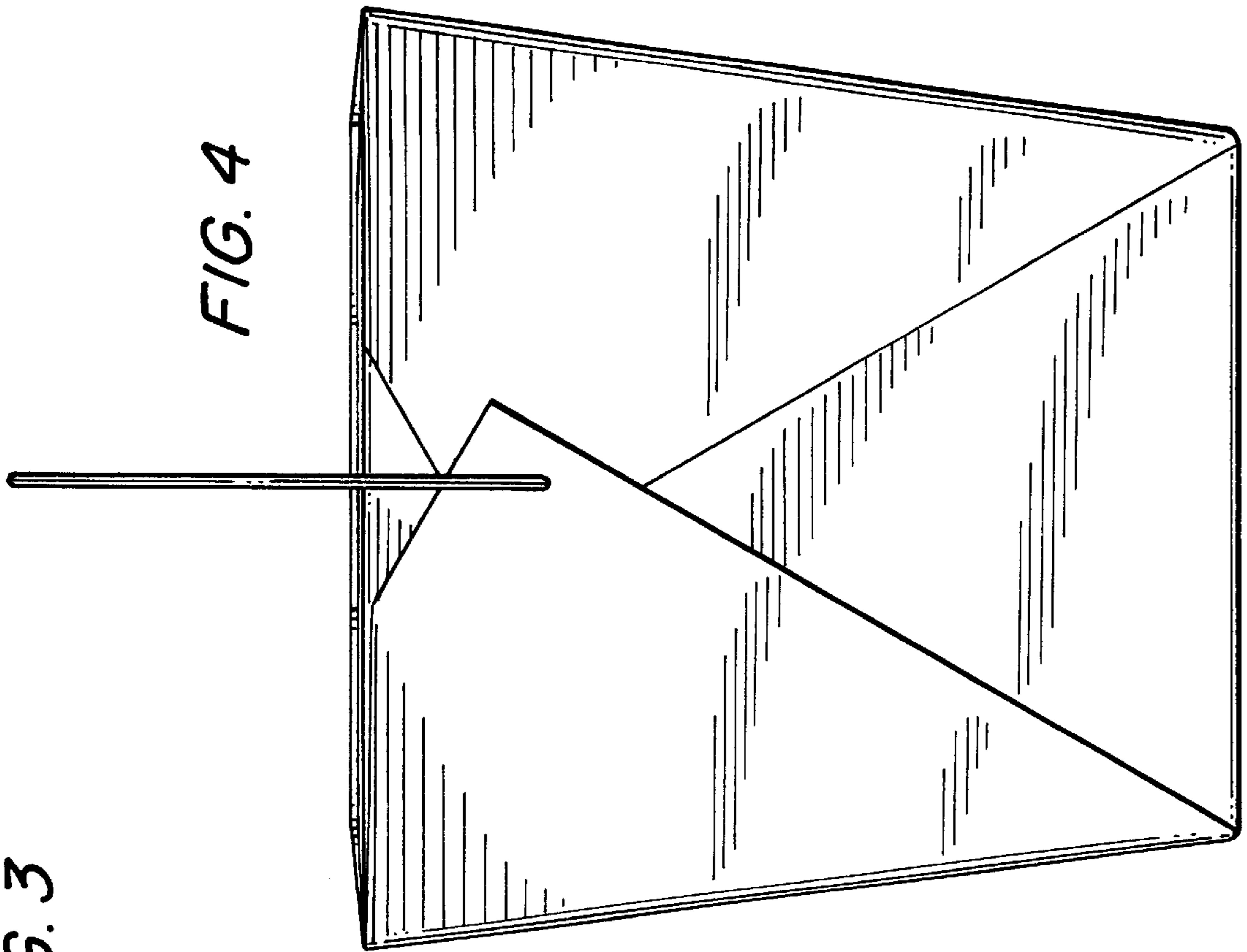


FIG. 4

FIG. 3

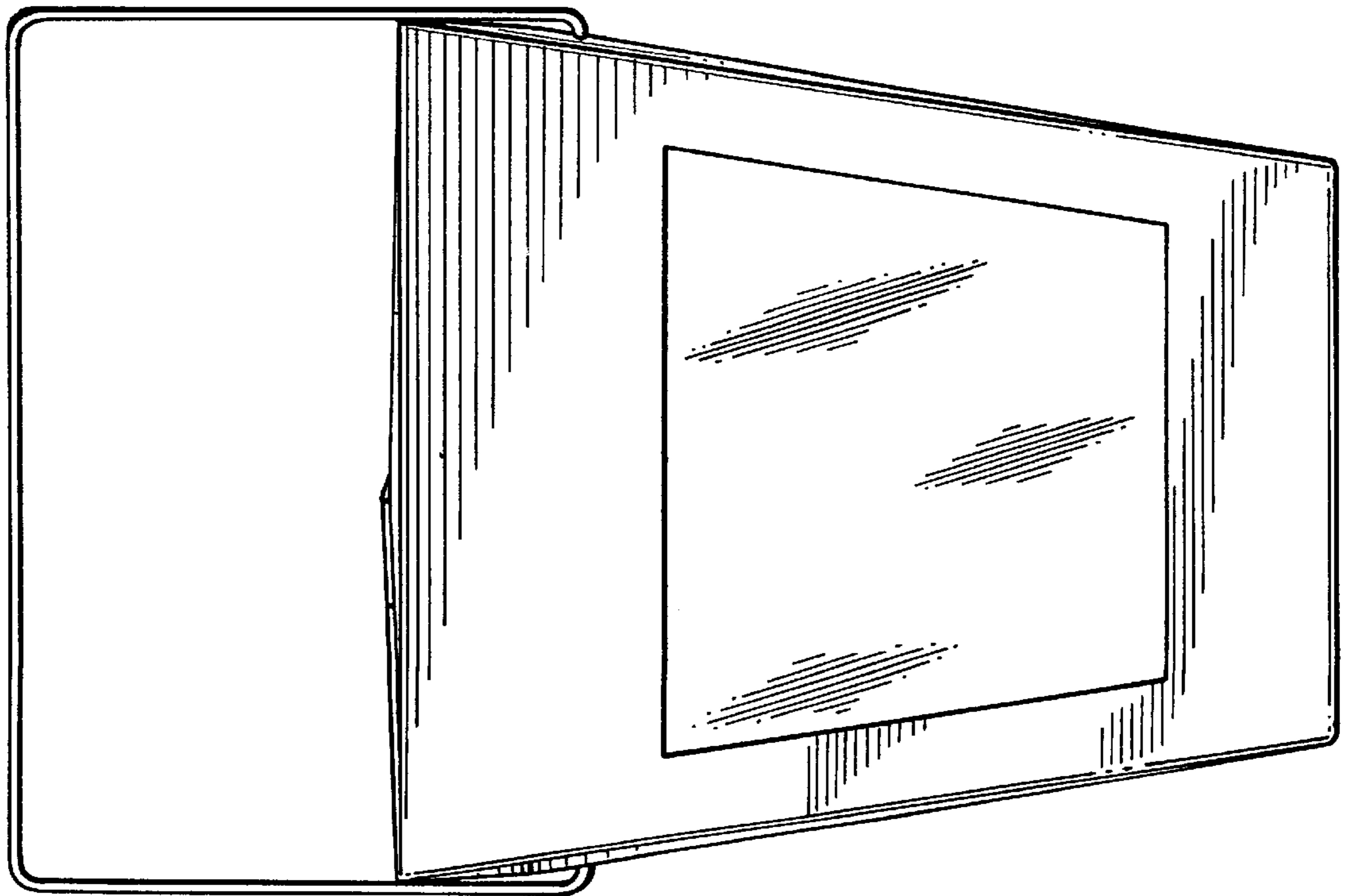


FIG. 6

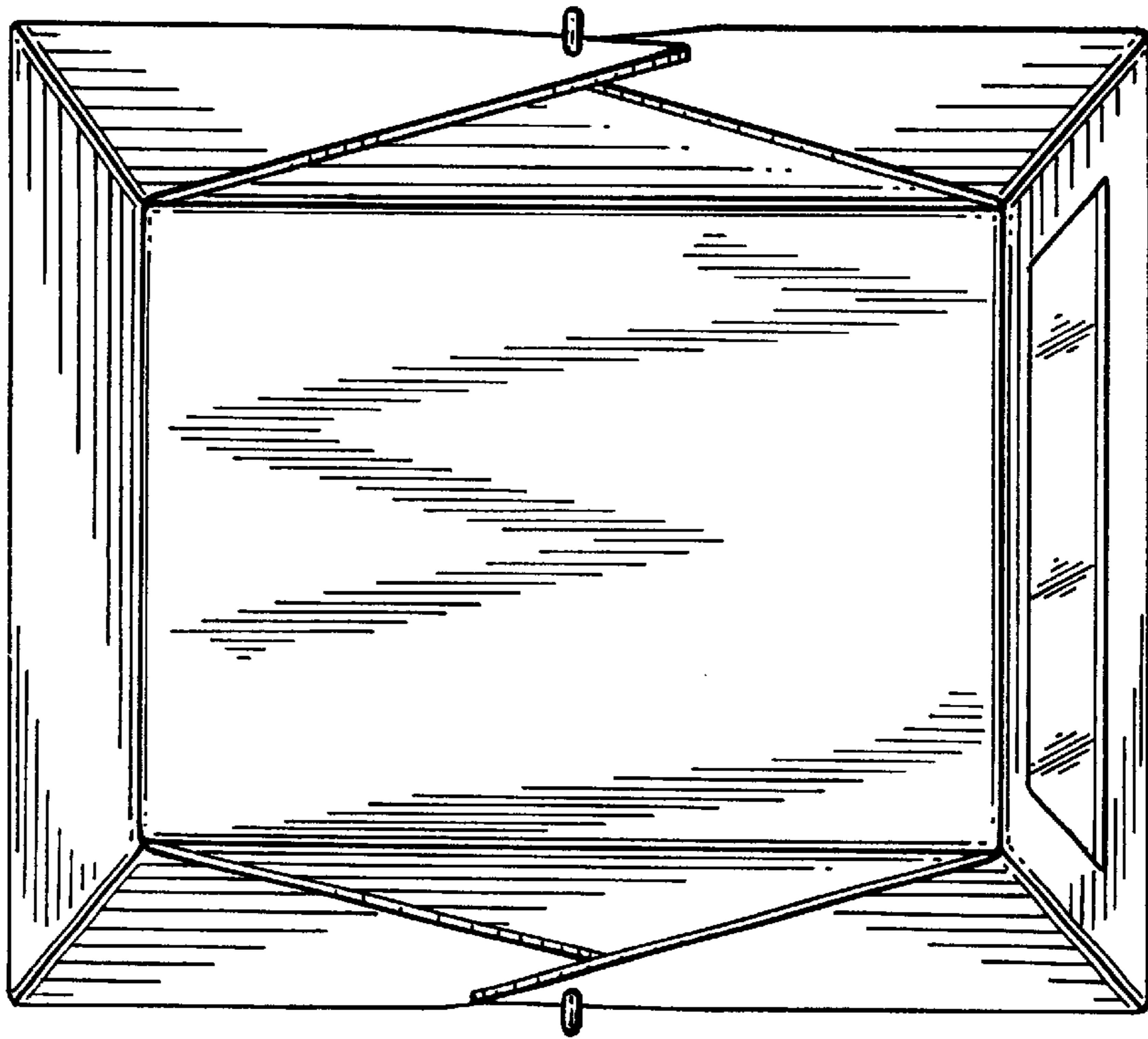


FIG. 5

