



US00D467796S

(12) **United States Design Patent**
Brown

(10) **Patent No.:** **US D467,796 S**

(45) **Date of Patent:** **** Dec. 31, 2002**

- (54) **CONTAINER**
- (75) Inventor: **Dean R. Brown**, Beaverton, MI (US)
- (73) Assignee: **Paul Winkler Plastics Corp.**, Buena Park, CA (US)
- (**) Term: **14 Years**
- (21) Appl. No.: **29/151,025**
- (22) Filed: **Oct. 30, 2001**
- (51) **LOC (7) Cl.** **09-03**
- (52) **U.S. Cl.** **D9/347**
- (58) **Field of Search** D9/341, 345, 347, D9/424, 428, 499; 206/427, 449, 486, 499, 503, 557, 558, 564, 527, 821; 220/4.01, 23.83, 500, 890

- 4,933,216 A 6/1990 Filbert et al.
- 5,273,174 A 12/1993 Fisher
- 5,368,178 A 11/1994 Towns et al.
- 5,405,009 A 4/1995 Hackenbracht
- 5,507,429 A 4/1996 Arlin
- 5,540,342 A 7/1996 Rathbun
- D372,396 S 8/1996 Seager
- D375,259 S * 11/1996 Whitehead D9/347
- 5,762,221 A 6/1998 Tobias et al.
- 5,829,595 A 11/1998 Brown et al.
- 5,866,181 A 2/1999 Hill
- 5,866,183 A 2/1999 Small
- 5,897,015 A 4/1999 Sheahan
- D420,285 S 2/2000 Sagan et al.
- D454,489 S * 3/2002 Enciso et al. D9/347

FOREIGN PATENT DOCUMENTS

EP 0 420 429 A1 4/1991

* cited by examiner

Primary Examiner—Ted Shooman

Assistant Examiner—Daniel Bui

(74) *Attorney, Agent, or Firm*—Faegre & Benson LLP

(56) **References Cited**
U.S. PATENT DOCUMENTS

- 1,743,980 A 1/1930 Samson
- 3,446,215 A * 5/1969 Howe
- 3,556,338 A 1/1971 Wilkinson et al.
- 3,592,349 A 7/1971 Baugh
- 3,682,365 A 8/1972 Reifers et al.
- 3,718,274 A 2/1973 Reifers et al.
- 4,202,464 A 5/1980 Mohs et al.
- 4,256,240 A 3/1981 Woinarski
- 4,290,248 A 9/1981 Kemerer et al.
- 4,334,631 A 6/1982 Ballester
- 4,373,636 A 2/1983 Hoffman
- 4,408,698 A 10/1983 Ballester
- 4,444,332 A 4/1984 Widén et al.
- D277,790 S * 2/1985 Schefer D28/82
- 4,570,818 A 2/1986 Borst et al.
- 4,574,974 A 3/1986 von Holdt
- D284,160 S 6/1986 Durand
- 4,706,839 A 11/1987 Spence
- 4,719,087 A 1/1988 Hanaway
- 4,834,237 A 5/1989 Henke et al.
- 4,886,184 A 12/1989 Chamourian

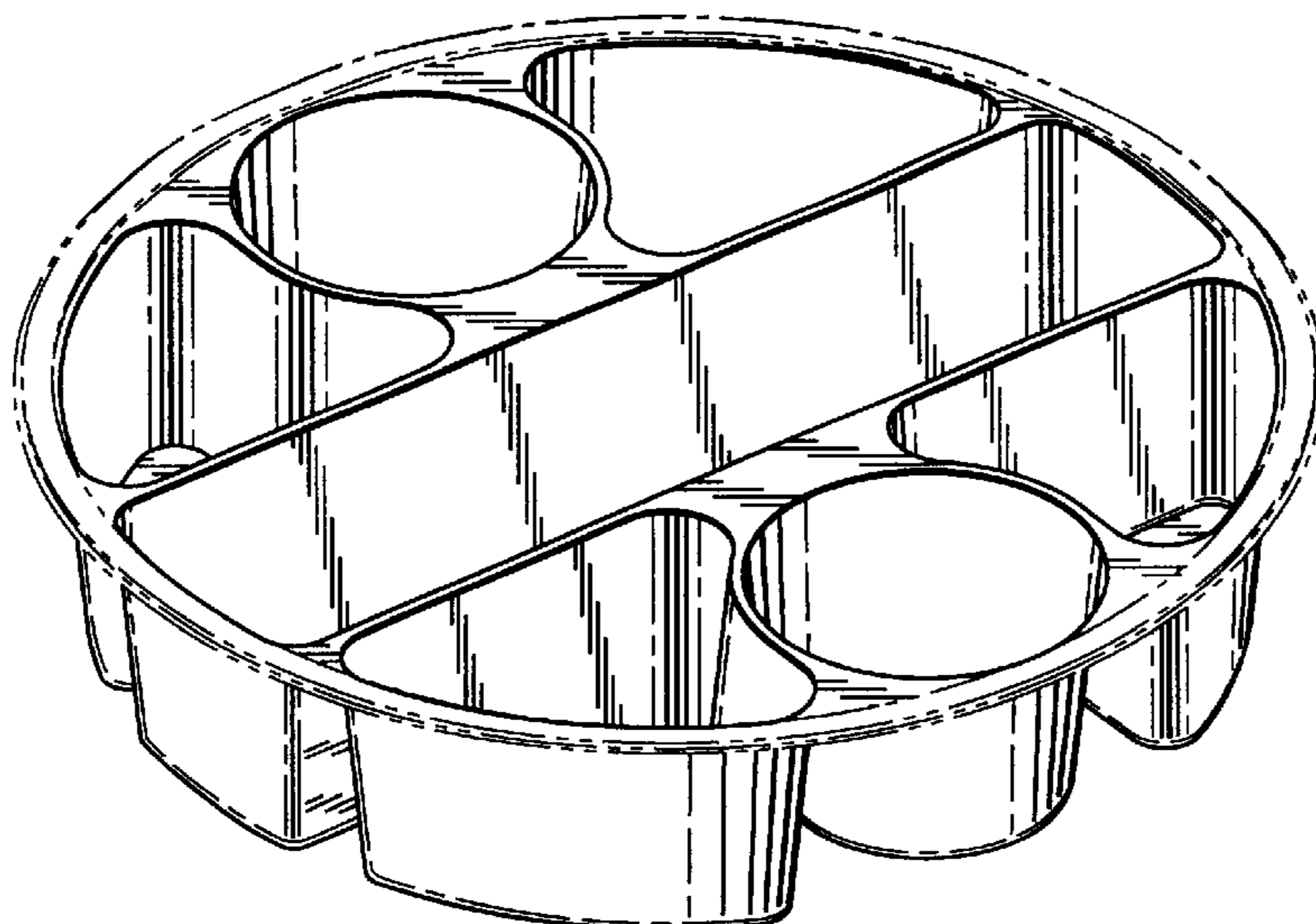
(57) **CLAIM**

The ornamental design for a container, as shown and described.

DESCRIPTION

FIG. 1 is a perspective view of a container in accordance with the present invention;
 FIG. 2 is a top plan view of the container of FIG. 1;
 FIG. 3 is a bottom plan view of the container of FIG. 1;
 FIG. 4 is a front elevational view of the container of FIG. 1; and,
 FIG. 5 is a side elevational view of the container of FIG. 1. The inner broken line around the circumference of the container represents the limit of the claim. The outer two broken lines showing environment are for illustrative purposes only and form no part of the claimed design.

1 Claim, 2 Drawing Sheets



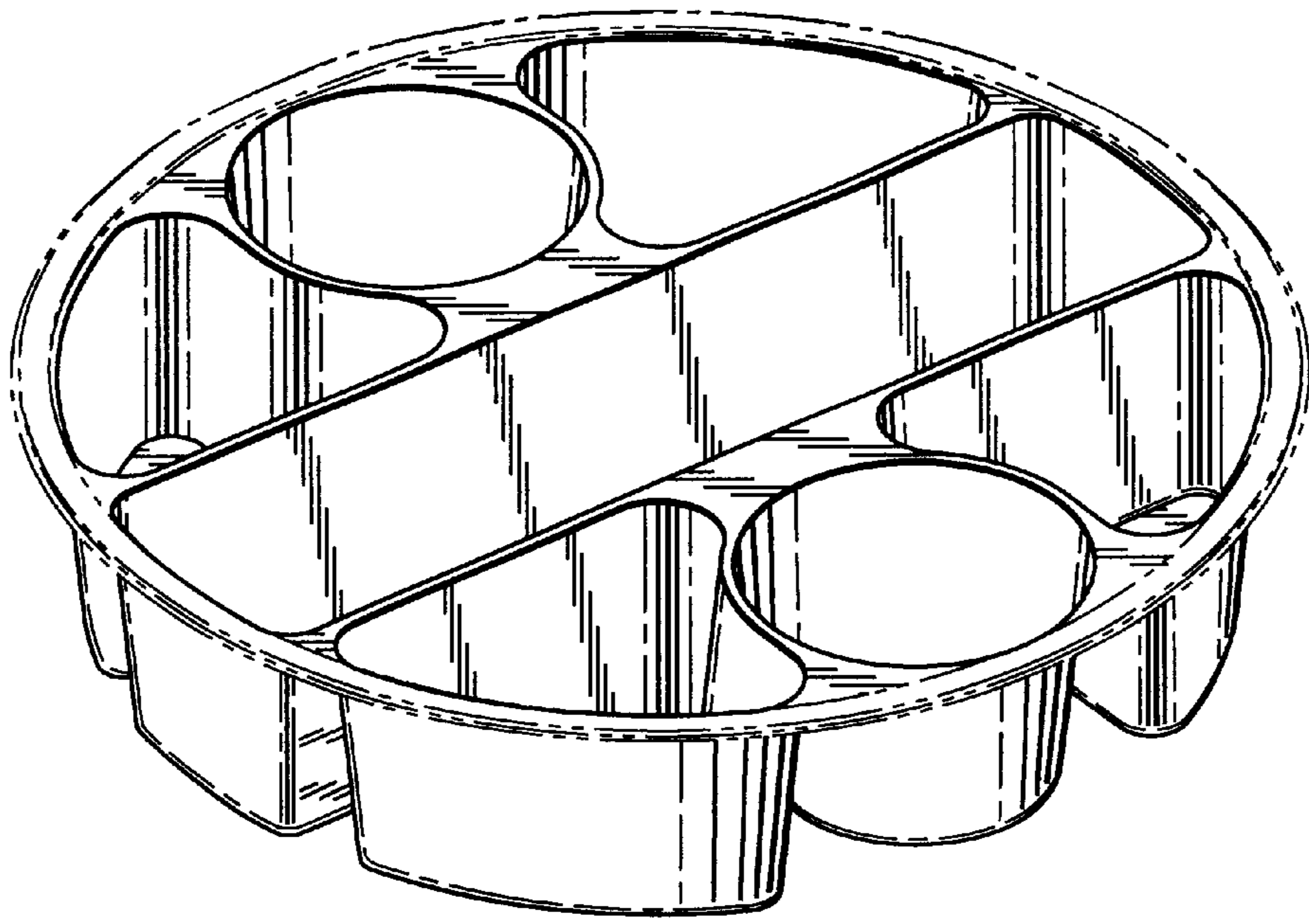


Fig. 1

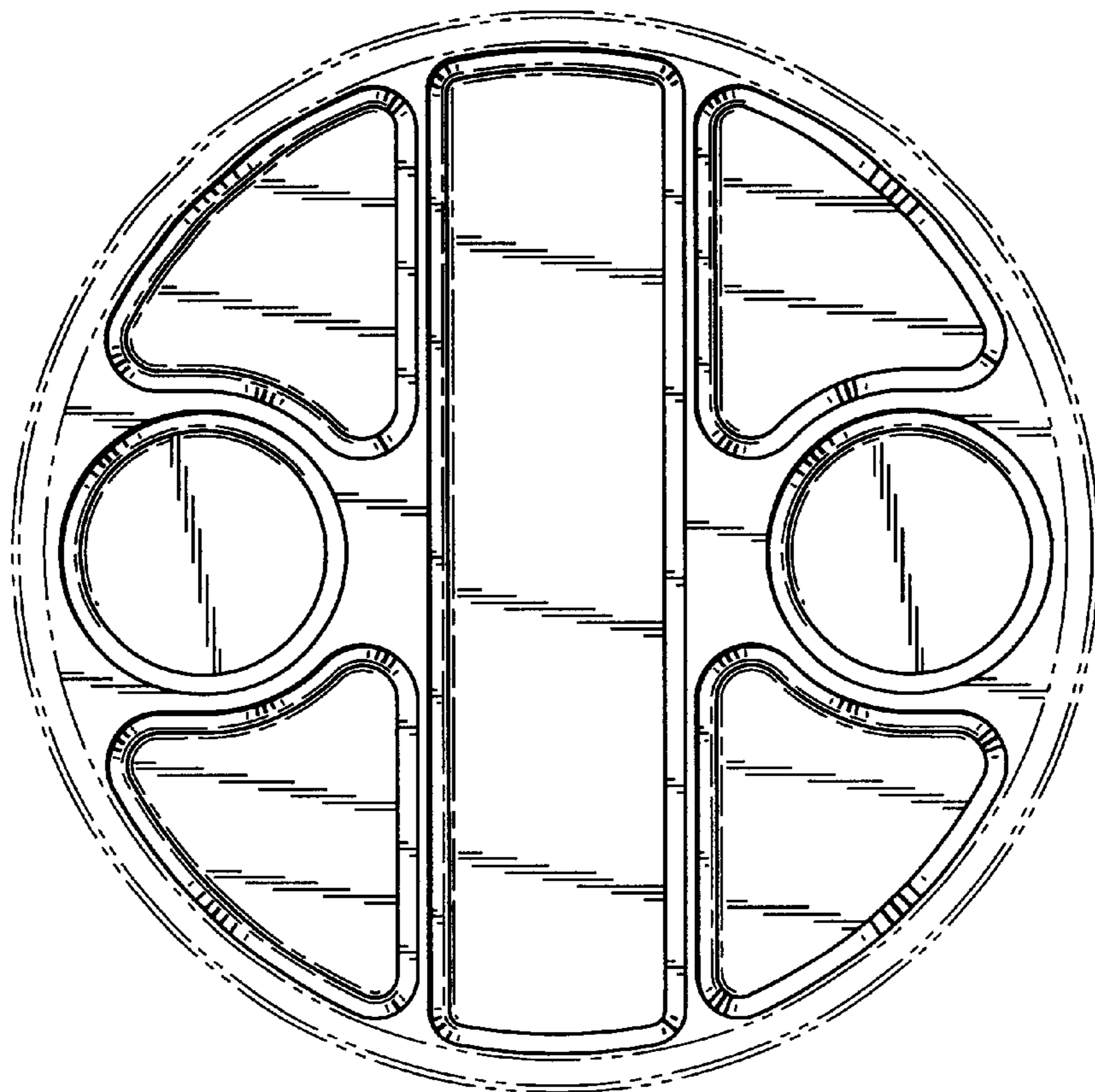


Fig. 2

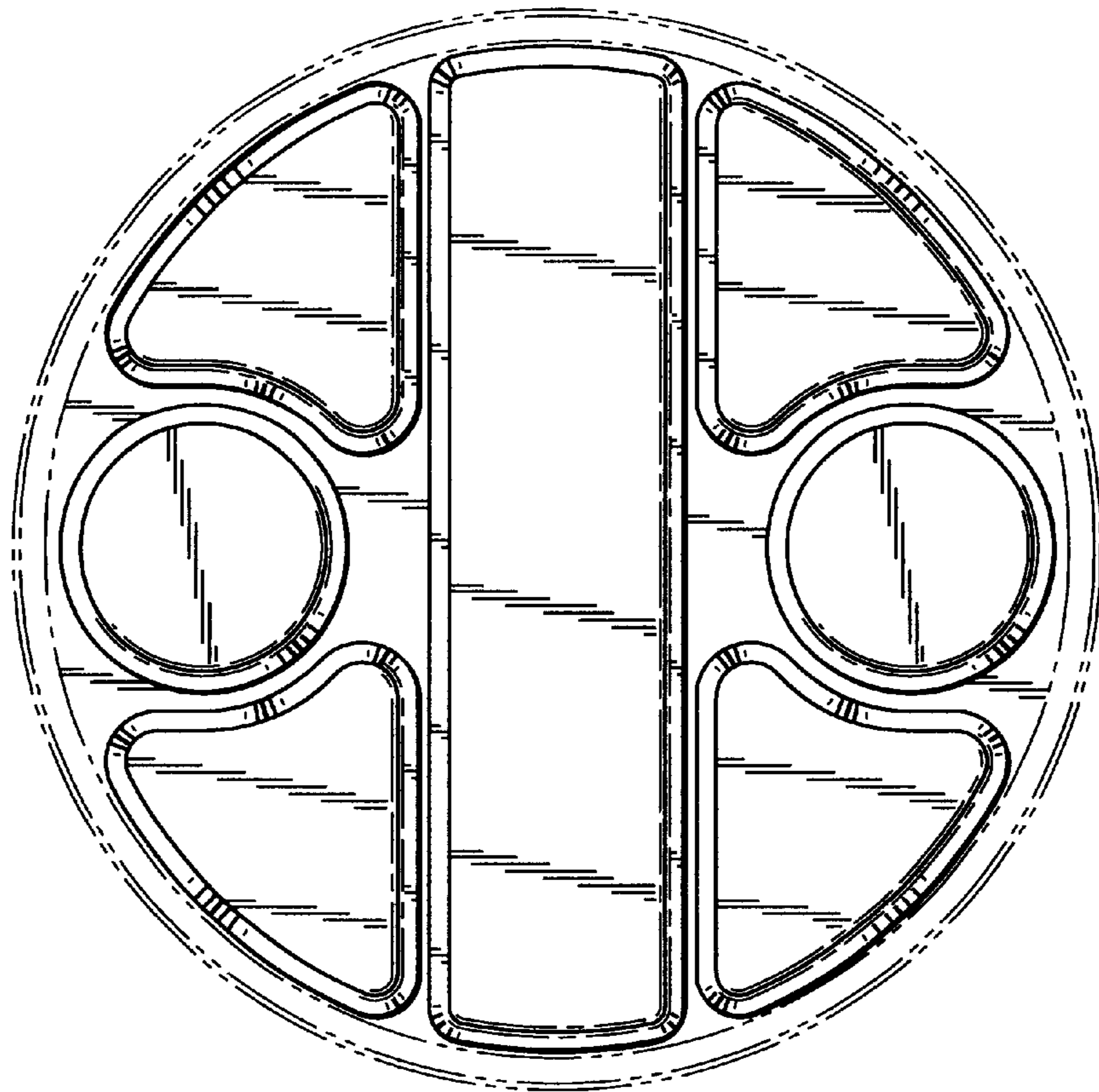


Fig. 3

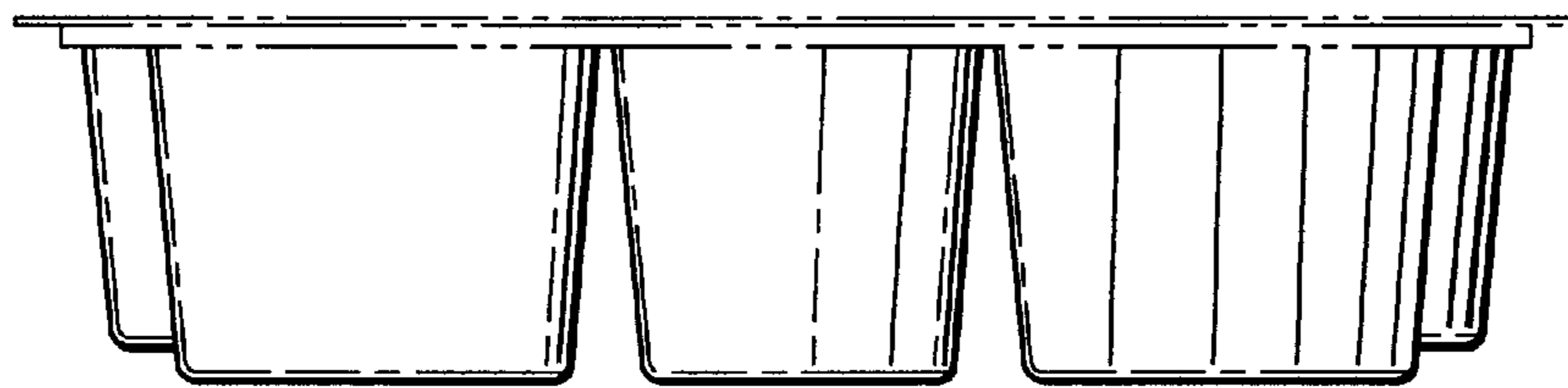


Fig. 4

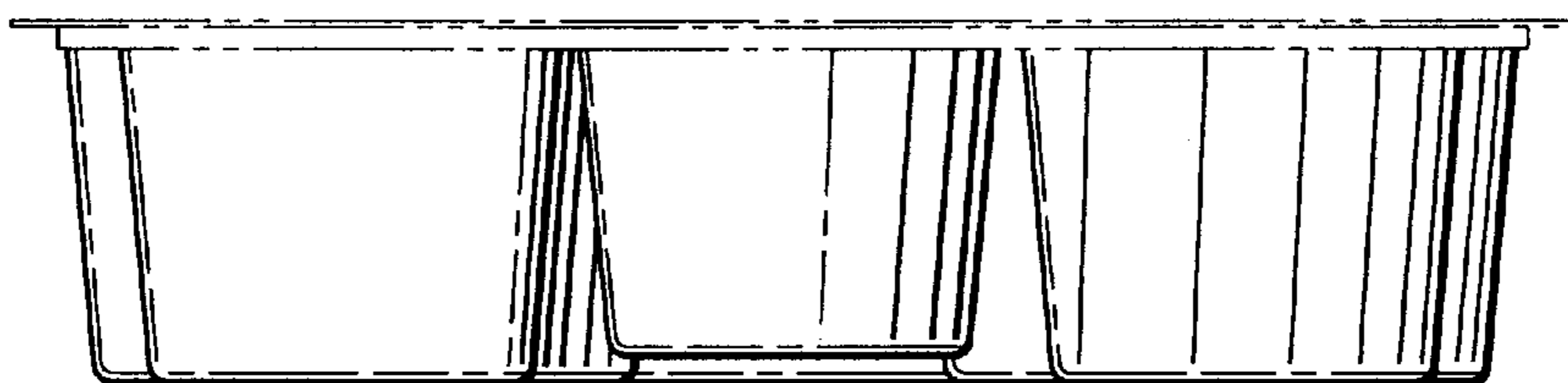


Fig. 5