



US00D467795S

(12) **United States Design Patent**
Lyons

(10) **Patent No.:** **US D467,795 S**

(45) **Date of Patent:** **** Dec. 31, 2002**

(54) **CABLE CLAMP**

6,131,969 A * 10/2000 Natkins 24/136 R
D436,512 S * 1/2001 Santner D8/72

(75) Inventor: **John Lyons**, Levittown, NY (US)

* cited by examiner

(73) Assignee: **Duro Dyne Corporation**, Bay Shore, NY (US)

Primary Examiner—Alan P. Douglas

Assistant Examiner—Clare E. Heflin

(**) Term: **14 Years**

(74) *Attorney, Agent, or Firm*—Barry G. Magidoff; Paul J. Sutton

(21) Appl. No.: **29/153,103**

(57) **CLAIM**

(22) Filed: **Jan. 3, 2002**

The ornamental design for a cable clamp, as shown and described.

(51) **LOC (7) Cl.** **08-08**

(52) **U.S. Cl.** **D8/395**

(58) **Field of Search** D8/394–396, 383,
D8/356, 72; 24/115 R, 115 G, 115 H, 115 M,
136 R, 136 A

DESCRIPTION

FIG. 1 is a top front and right side perspective view thereof;
FIG. 2 is a top plan view thereof;
FIG. 3 is a front view thereof;
FIG. 4 is a left side view thereof;
FIG. 5 is a right side view thereof;
FIG. 6 is a rear view thereof; and,
FIG. 7 is a bottom plan view thereof.

(56) **References Cited**

U.S. PATENT DOCUMENTS

D310,020 S * 8/1990 Fujioka D8/382
D317,927 S * 7/1991 Kern D8/72
D318,282 S * 7/1991 Kern D8/72

1 Claim, 3 Drawing Sheets

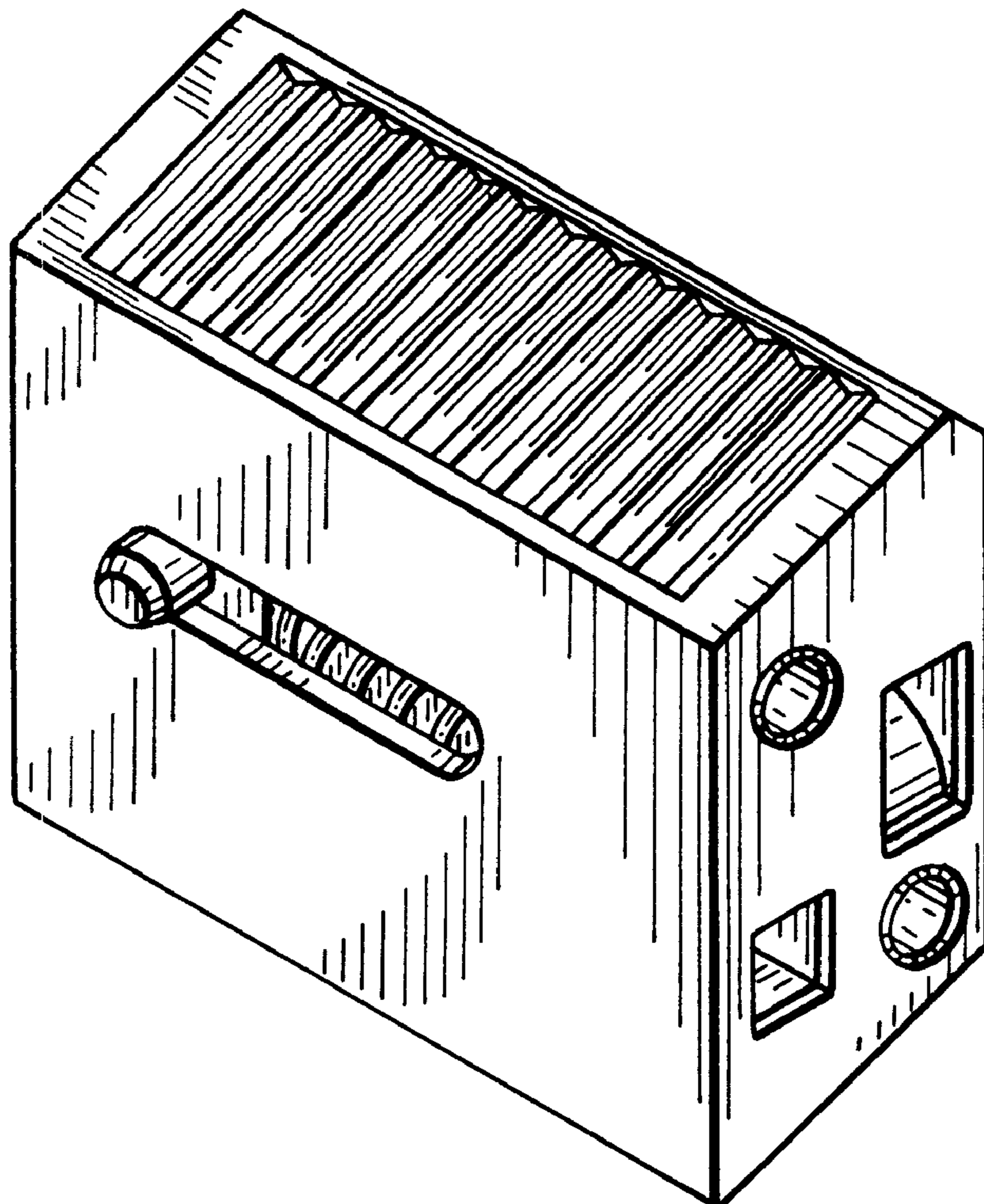


FIG. 1

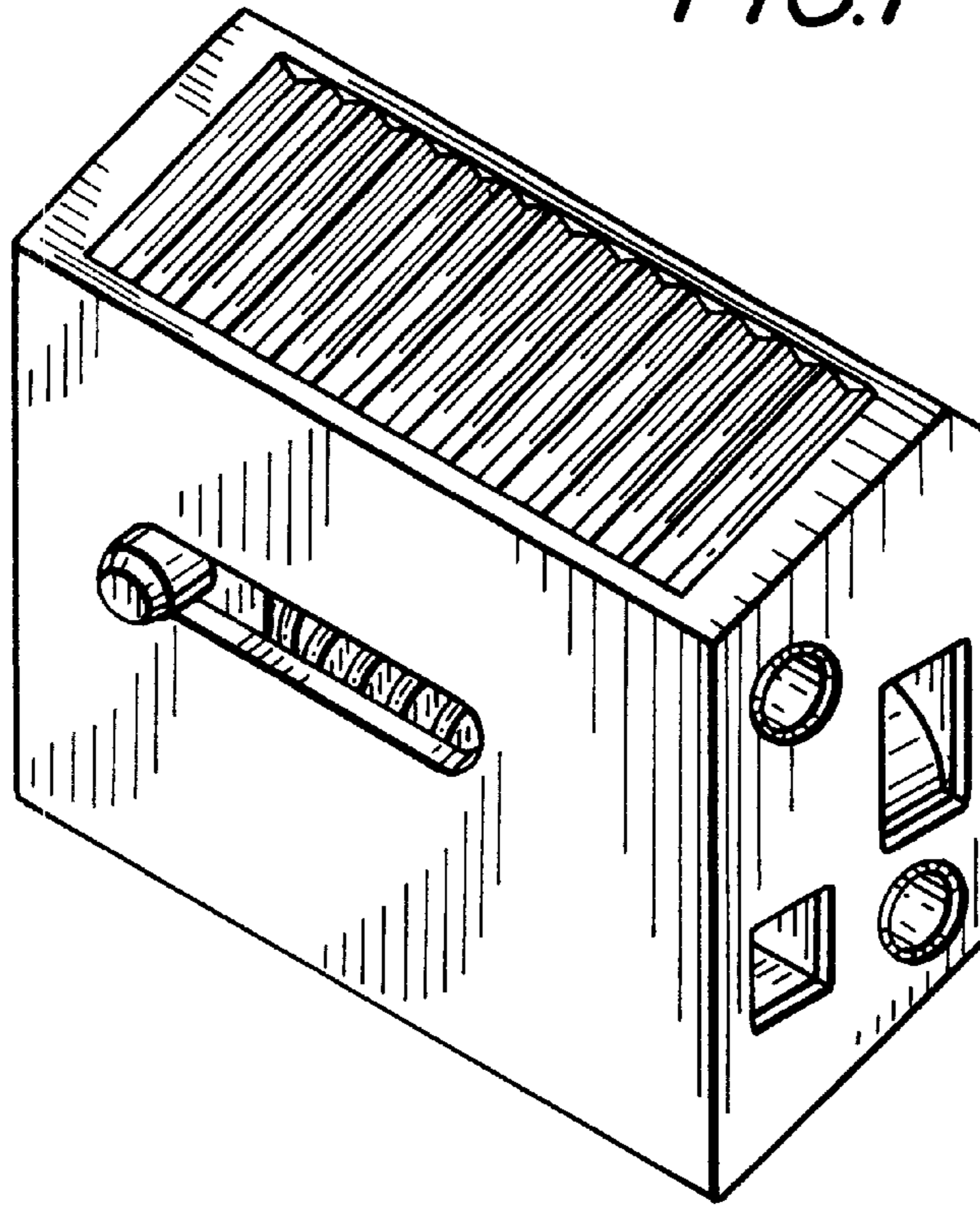


FIG. 2

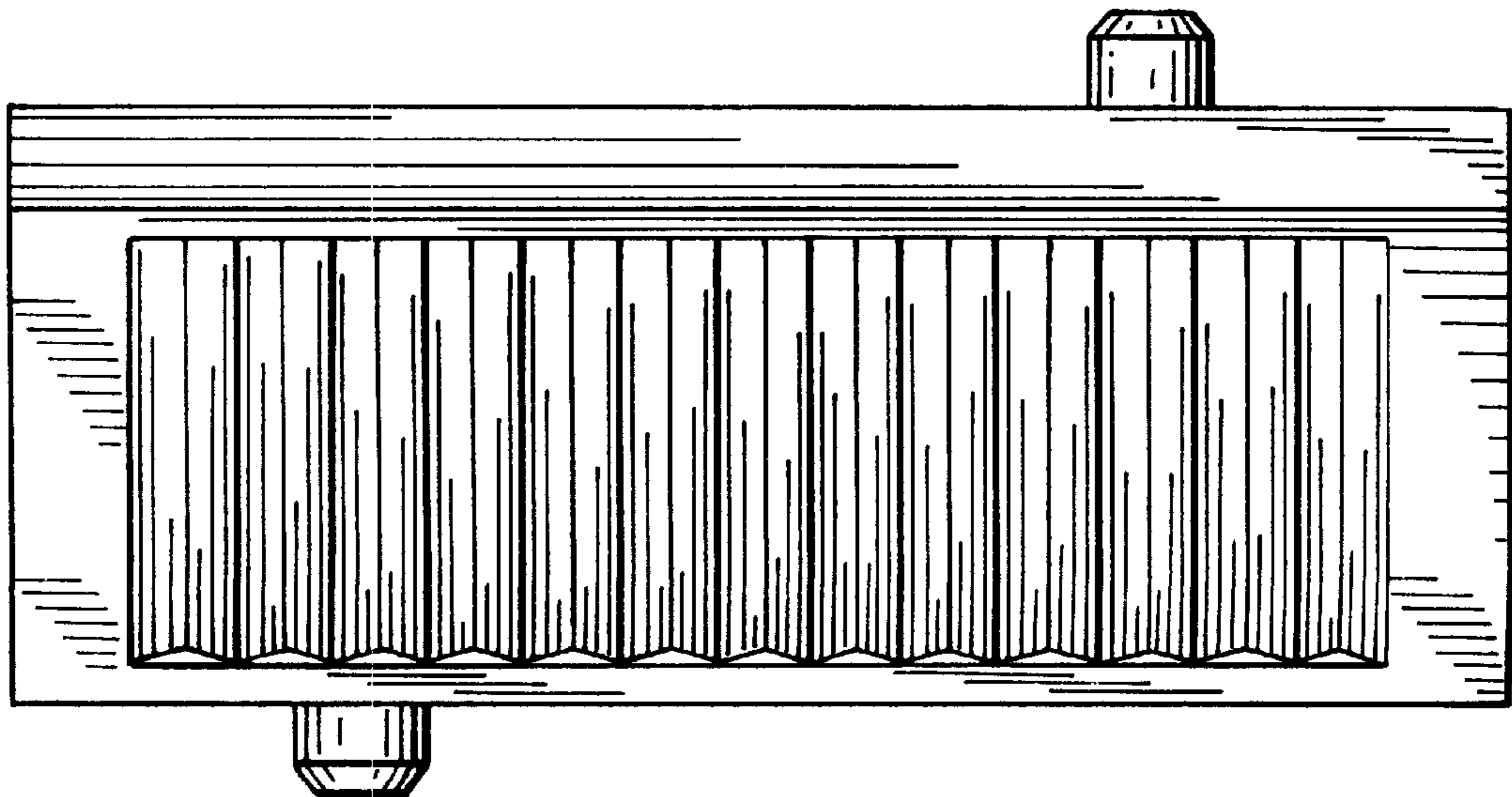


FIG. 3

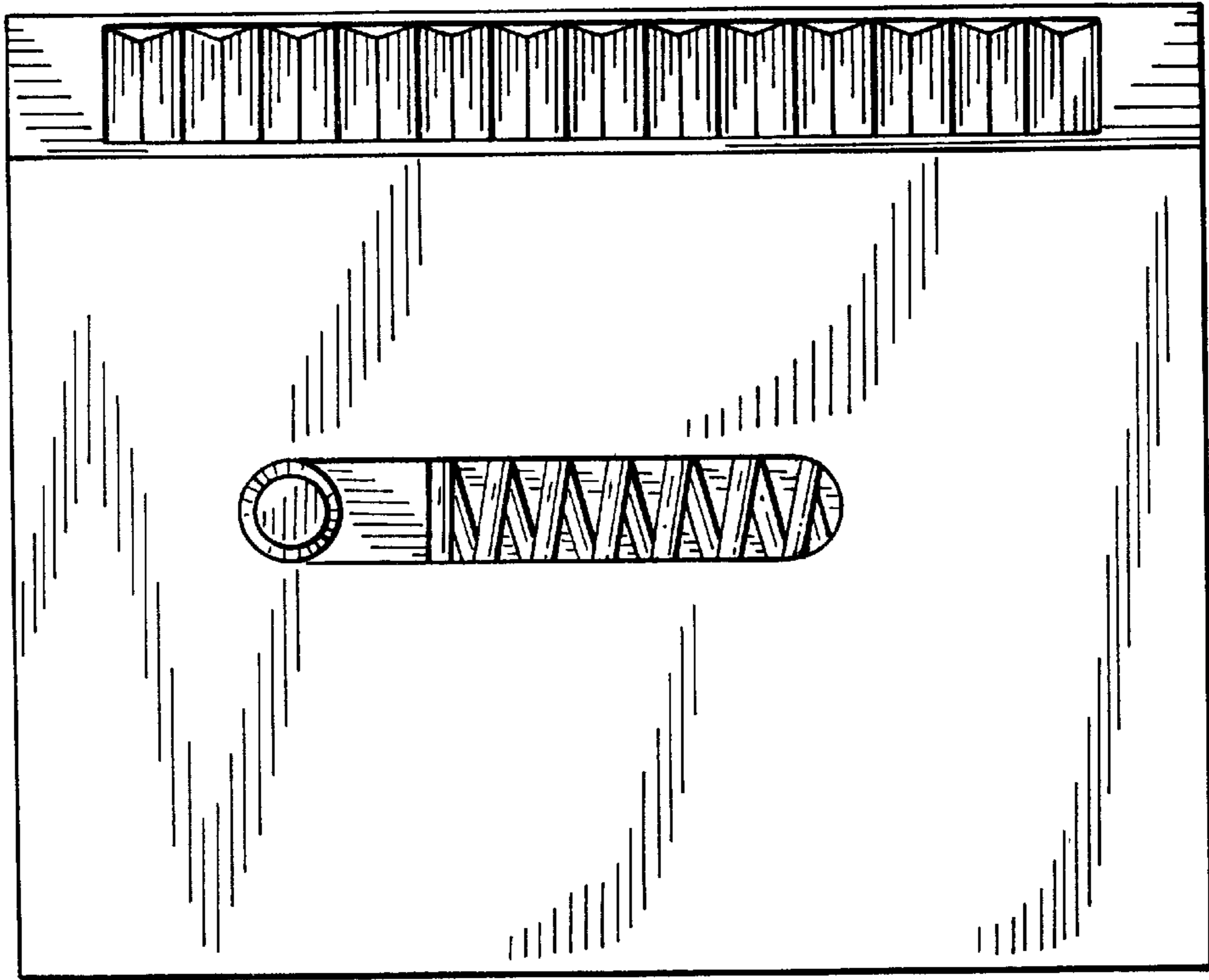


FIG. 4

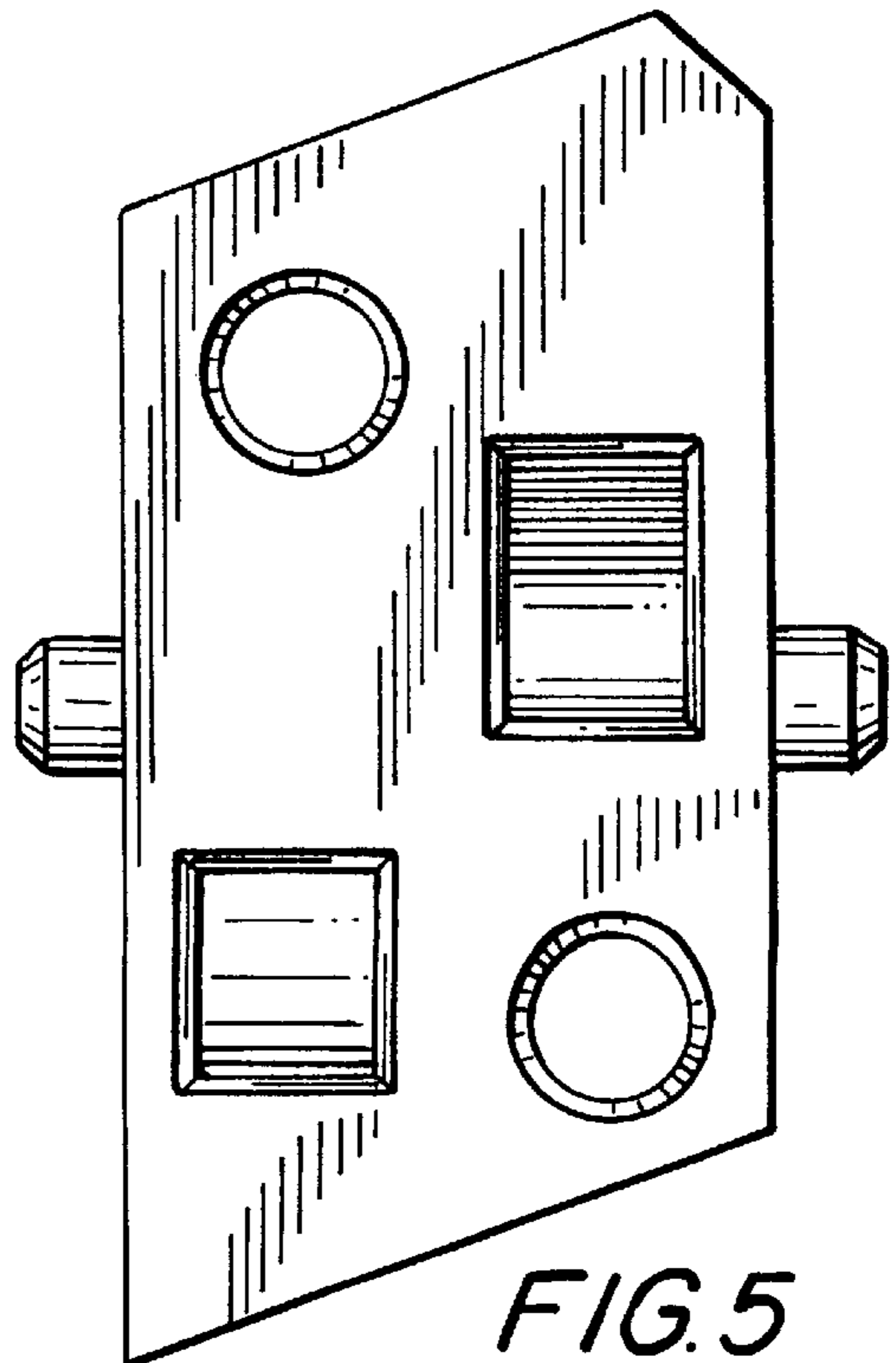
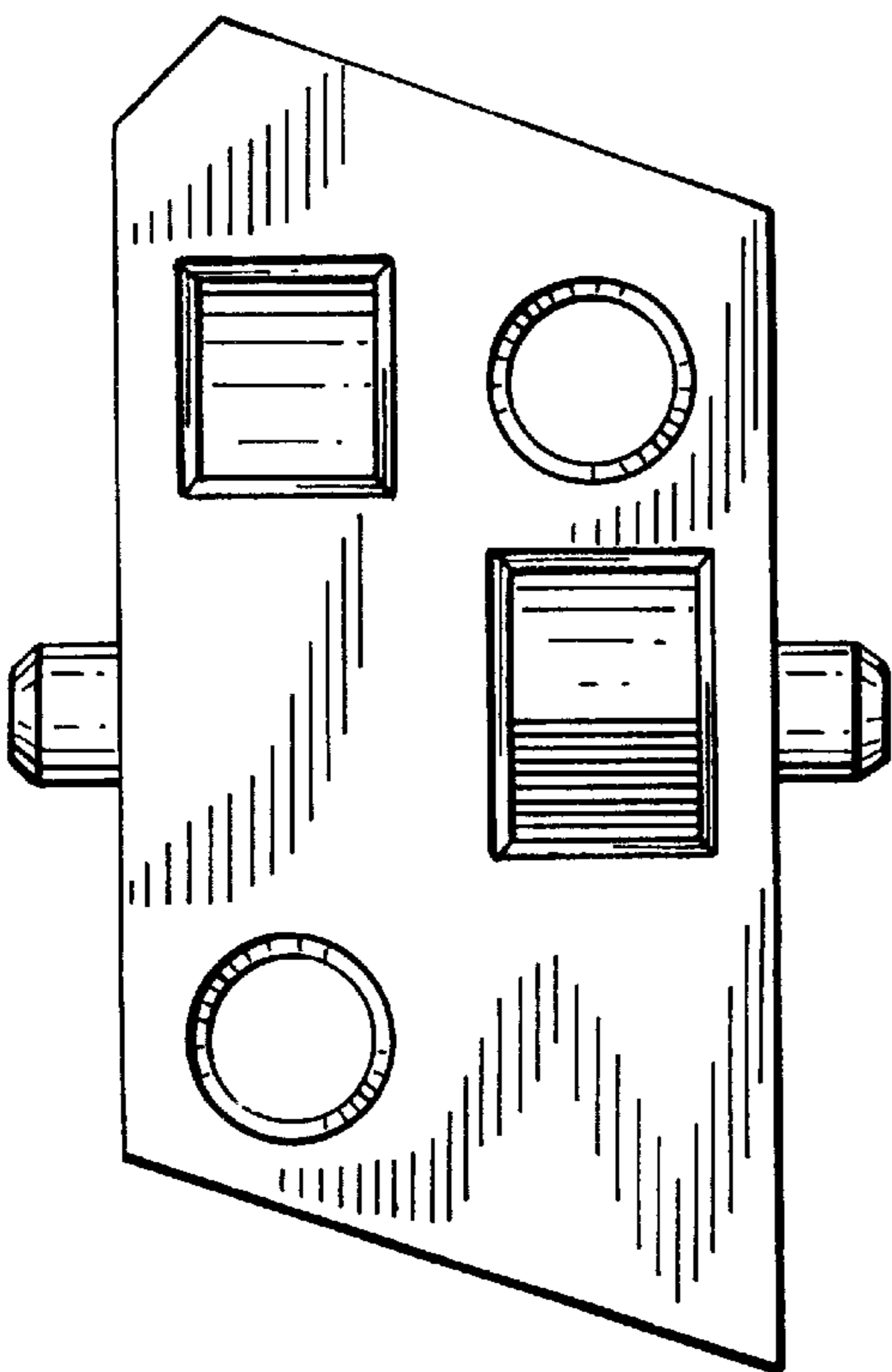


FIG. 5

FIG. 6

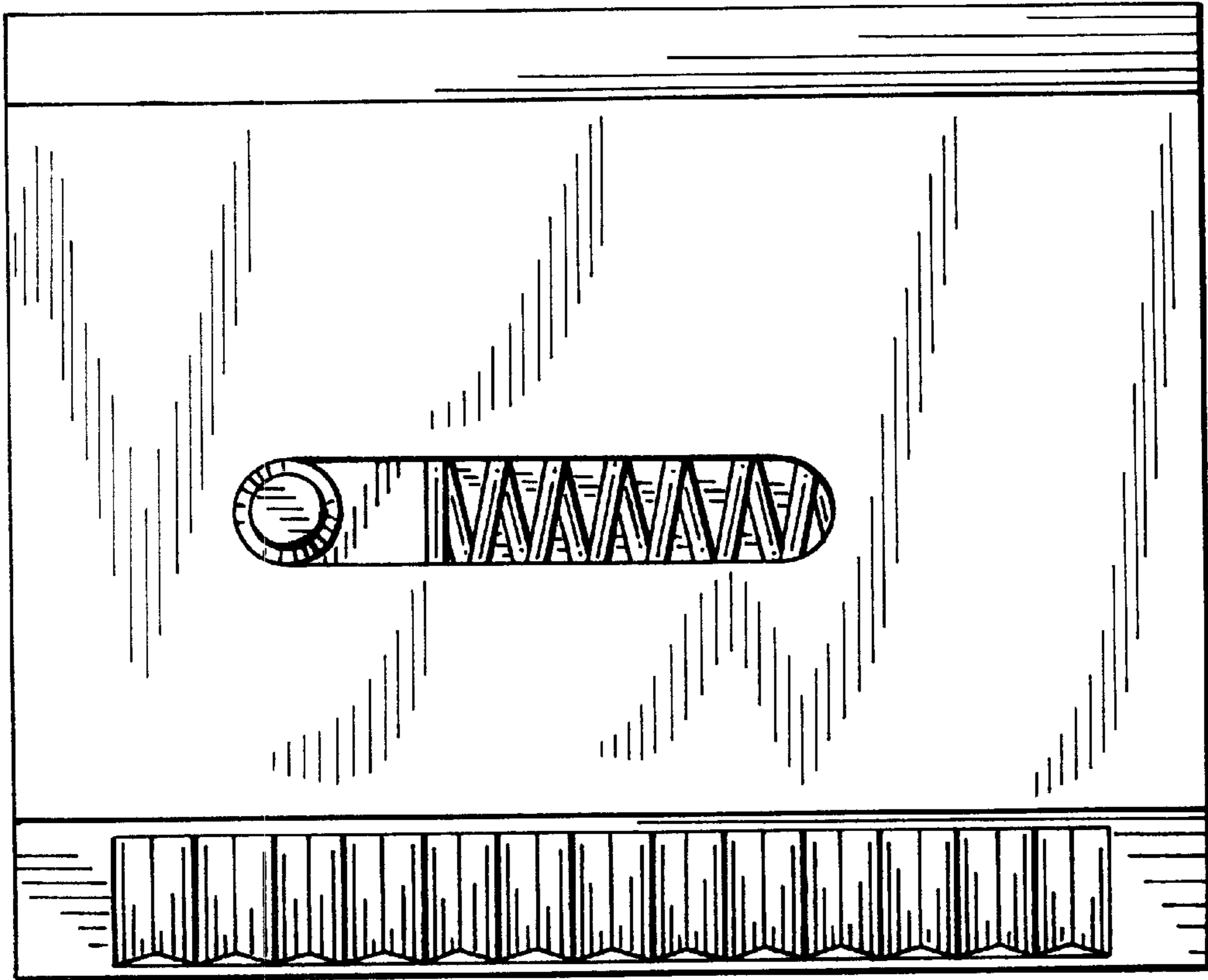


FIG. 7

