



US00D467794S

(12) **United States Design Patent**
Ueno

(10) **Patent No.:** **US D467,794 S**

(45) **Date of Patent:** **** Dec. 31, 2002**

(54) **FASTENING DEVICE**

(75) **Inventor:** **Hideyuki Ueno, Yokohama (JP)**

(73) **Assignee:** **Kotec's Co., Ltd., Tokyo (JP)**

(**) **Term:** **14 Years**

(21) **Appl. No.:** **29/152,555**

(22) **Filed:** **Dec. 20, 2001**

(51) **LOC (7) Cl.** **08-08**

(52) **U.S. Cl.** **D8/383**

(58) **Field of Search** D8/382, 383, 393,
D8/356, 360.1; 24/16 PB, 17 AP, 30.5 P,
16 R; 206/343; 292/322

(56) **References Cited**

U.S. PATENT DOCUMENTS

3,461,510 A	8/1969	Holmes	
3,588,963 A	6/1971	Moberg	
3,600,027 A	8/1971	Noland et al.	292/322
3,712,655 A	1/1973	Fuehrer	292/321
3,816,879 A	6/1974	Merser et al.	24/16 PB
4,059,300 A	11/1977	Moberg et al.	292/322
4,093,288 A	6/1978	Suzuki	292/321
4,240,183 A	12/1980	Sumimoto et al.	24/16 PB
4,347,932 A	* 9/1982	Furutu	206/343

4,660,718 A	*	4/1987	Kato et al.	206/343
4,680,836 A		7/1987	Wisecup	24/150 FP
4,854,014 A		8/1989	Ueno	24/16 PB
5,263,231 A		11/1993	Sorensen et al.	24/16 PB
5,943,741 A		8/1999	Furutsu	24/16 PB
6,098,253 A	*	8/2000	Nishida et al.	24/16 PB
6,101,683 A	*	8/2000	Deschenes et al.	24/16 PB

* cited by examiner

Primary Examiner—Alan P. Douglas

Assistant Examiner—Clare E. Heflin

(74) *Attorney, Agent, or Firm*—Greer, Burns & Crain, Ltd.

(57) **CLAIM**

The ornamental design for a fastening device, as shown and described.

DESCRIPTION

FIG. 1 is a perspective view of the fastening device showing my new design;

FIG. 2 is a top view of the fastening device of FIG. 1, the bottom view being the same as the top view; and,

FIG. 3 is a left side view of the fastening device of FIG. 1, the right side view being the same as the left side view.

The filament is shown broken-away to depict indeterminate length.

1 Claim, 2 Drawing Sheets

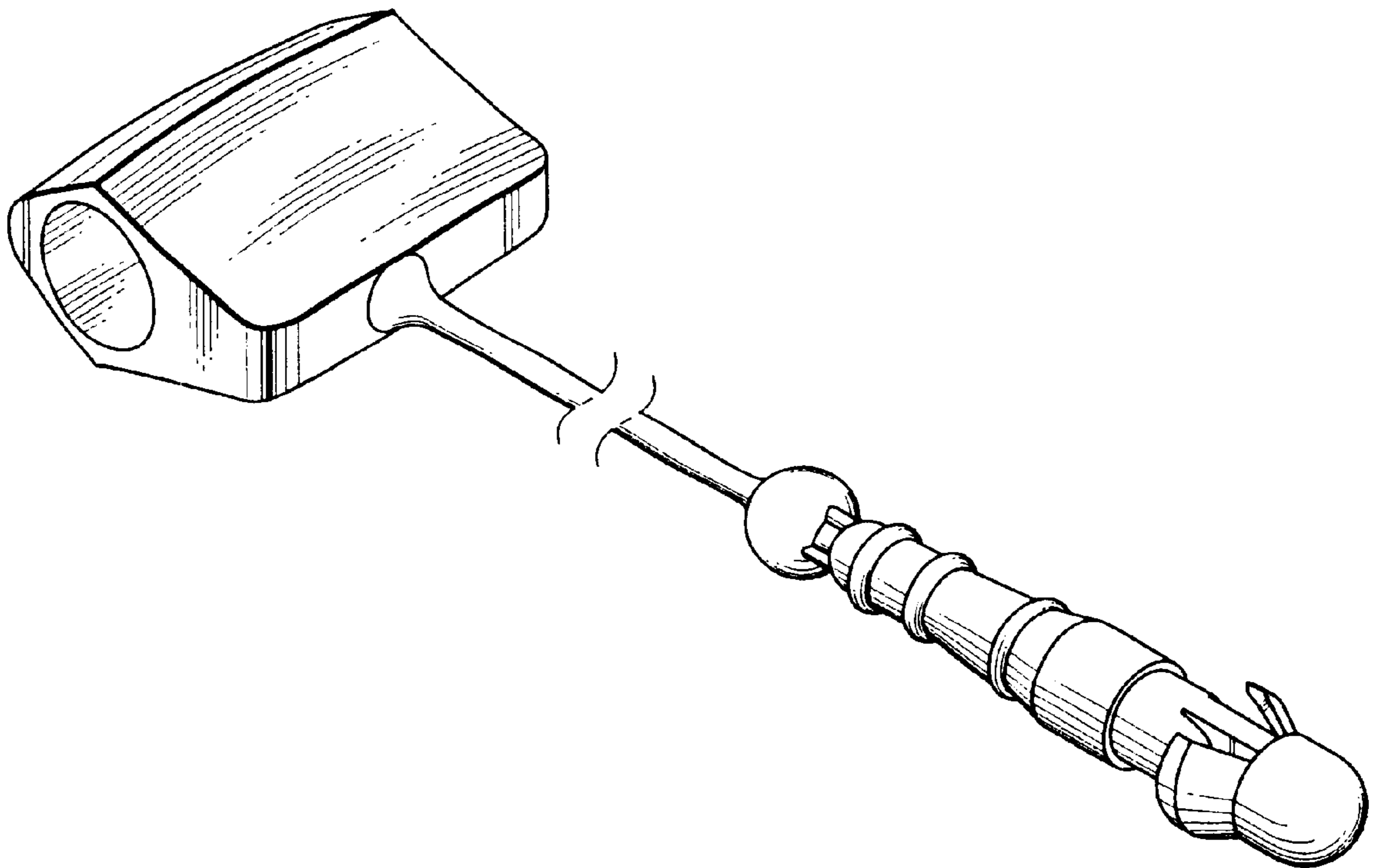


Fig. 1

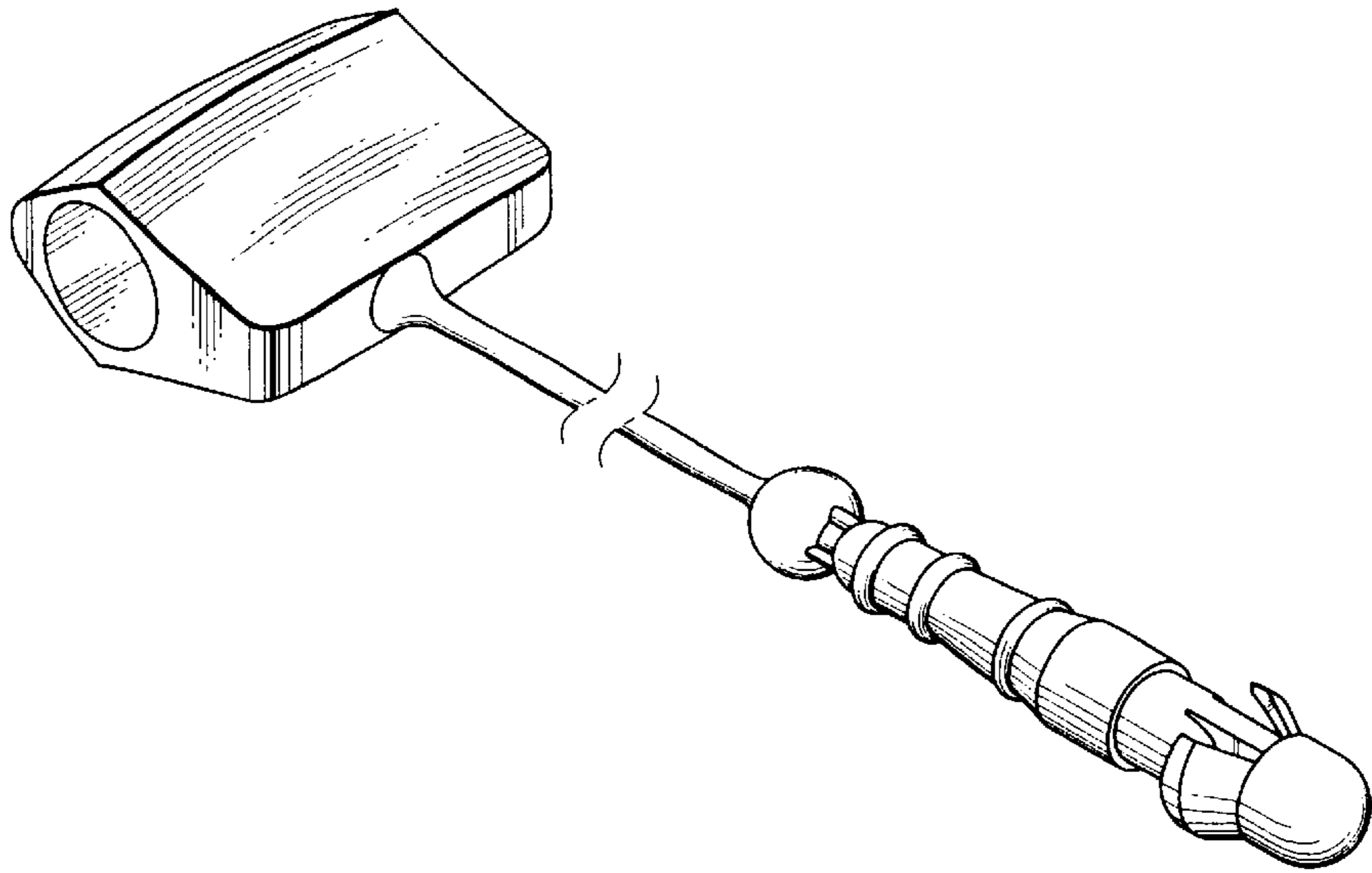


Fig. 2

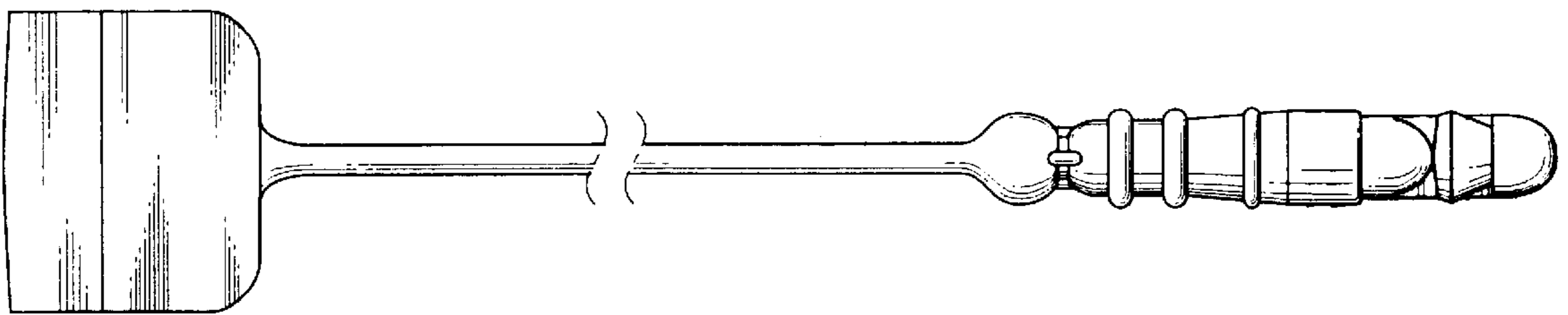


Fig. 3

