



US00D467788S

(12) **United States Design Patent**
Malmanger

(10) **Patent No.:** **US D467,788 S**

(45) **Date of Patent:** **** Dec. 31, 2002**

(54) **LATCH**

(75) Inventor: **John A. Malmanger**, Burien, WA (US)

(73) Assignee: **Tempress Products L.L.C.**, Dallas, TX (US)

(**) Term: **14 Years**

(21) Appl. No.: **29/133,332**

(22) Filed: **Nov. 28, 2000**

(51) **LOC (7) Cl.** **08-07**

(52) **U.S. Cl.** **D8/341**

(58) **Field of Search** D8/330, 331, 336,
D8/337, 338, 339, 341; 292/336.3, 57,
137, 150, 175, 195, DIG. 30, DIG. 31,
DIG. 10

(56) **References Cited**

U.S. PATENT DOCUMENTS

D324,636 S	*	3/1992	Krape et al.	D8/331
D357,396 S	*	4/1995	Ziemer et al.	D8/331
D445,017 S	*	7/2001	Kronmeyer et al.	D8/337

* cited by examiner

Primary Examiner—Jennifer Rivard

(74) *Attorney, Agent, or Firm*—Fulbright & Jaworski L.L.P.

(57) **CLAIM**

The ornamental design for a latch, as shown and described.

DESCRIPTION

This application is related to concurrently filed, co-pending, and commonly assigned U.S. patent application Ser. No. 09/723,848 entitled "Rotary Latch System and Method," the disclosure of which is hereby incorporated herein by reference.

FIG. 1 is an isometric view of my new latch design from the top having a vantage point from the front left, where the hatch cover into which the latch is disposed, the reinforcing structure of the latch bolt, and the key and associated keyhole are shown for environmental purposes only and form no part of the claimed design;

FIG. 2 is an isometric view thereof from the bottom having a vantage point from the back left wherein the latch bolt is shown in a semi-disengaged orientation, where the hatch cover into which the latch is disposed and the reinforcing structure of the latch bolt are shown for environmental purposes and form no part of the claimed design;

FIG. 3 is an isometric view thereof from the bottom having a vantage point from the back left wherein the latch bolt is shown in a fully engaged orientation, where the hatch cover into which the latch is disposed and the reinforcing structure of the latch bolt are shown for environmental purposes and form no part of the claimed design;

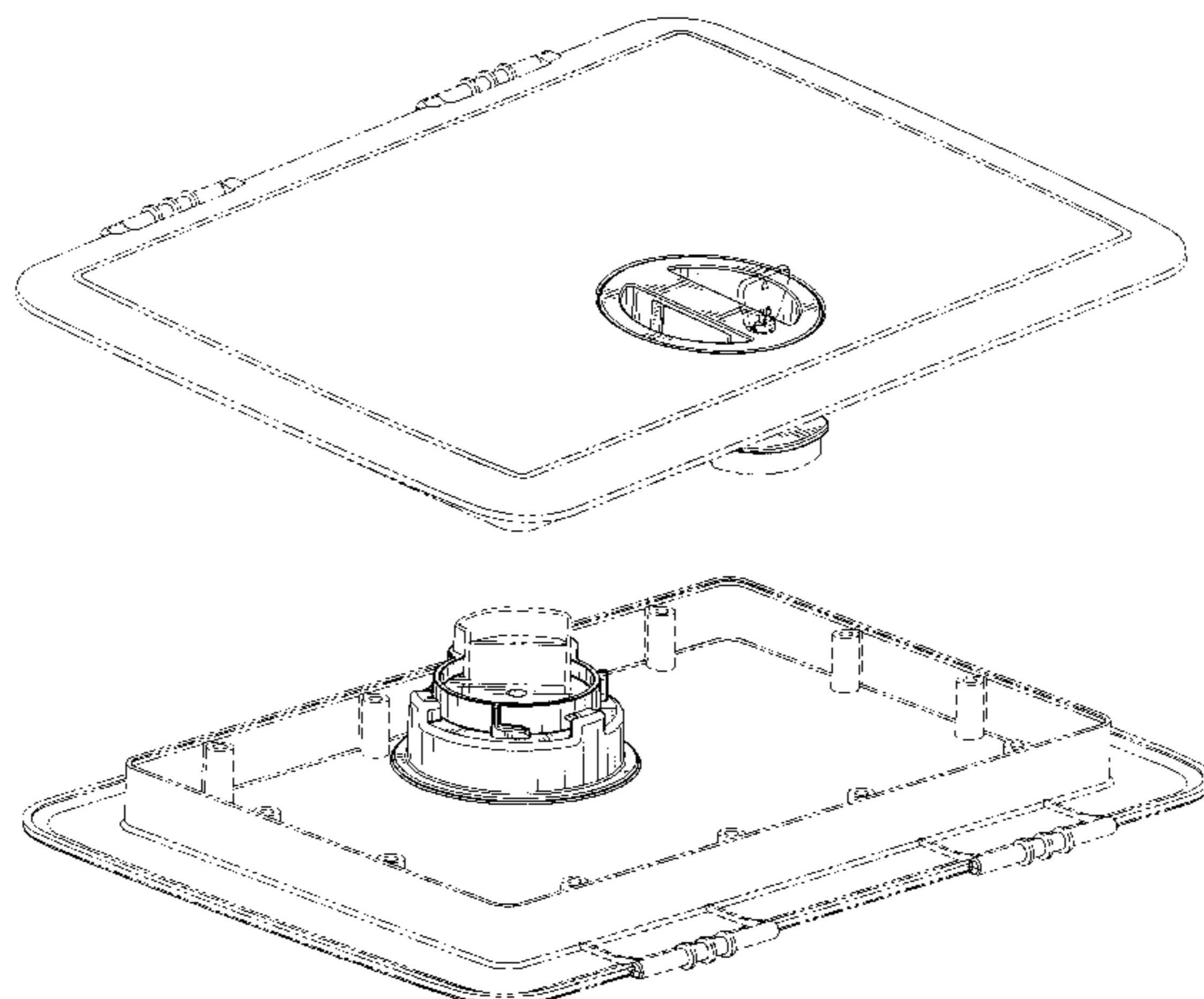
FIG. 4 is a top plan view thereof, where the hatch cover into which the latch is disposed and the keyhole are shown for environmental purposes and form no part of the claimed design;

FIG. 5 is a bottom plan view thereof, where the hatch cover into which the latch is disposed and the reinforcing structure of the latch bolt are shown for environmental purposes and form no part of the claimed design;

FIG. 6 is a right side elevation view thereof wherein a portion of the hatch cover has been cut away to provide an unobstructed view of the latch, where the hatch cover into which the latch is disposed and the reinforcing structure of the latch bolt are shown for environmental purposes and form no part of the claimed design; and,

FIG. 7 is a left side elevation view thereof wherein a portion of the hatch cover has been cut away to provide an unobstructed view of the latch, where the hatch cover into which the latch is disposed and the reinforcing structure of the latch bolt are shown for environmental purposes and form no part of the claimed design.

1 Claim, 6 Drawing Sheets



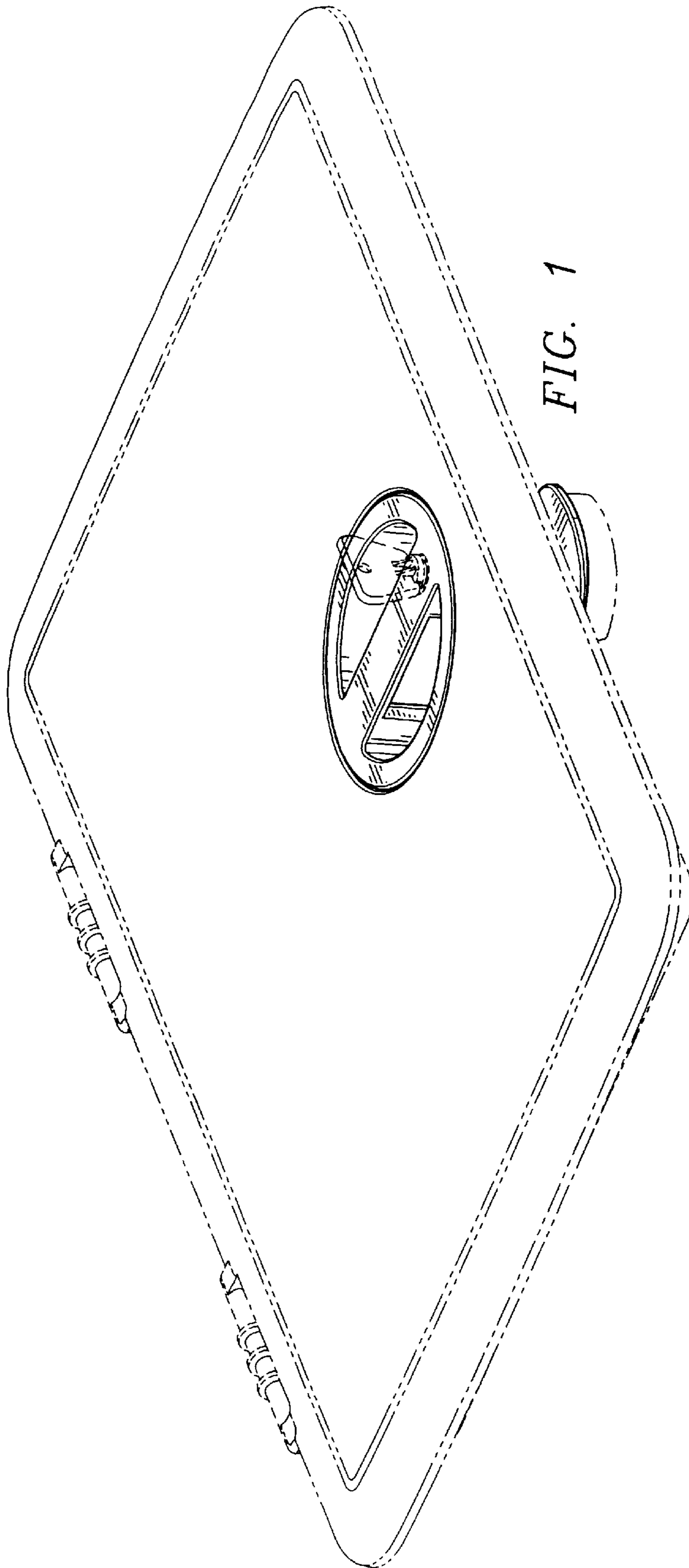
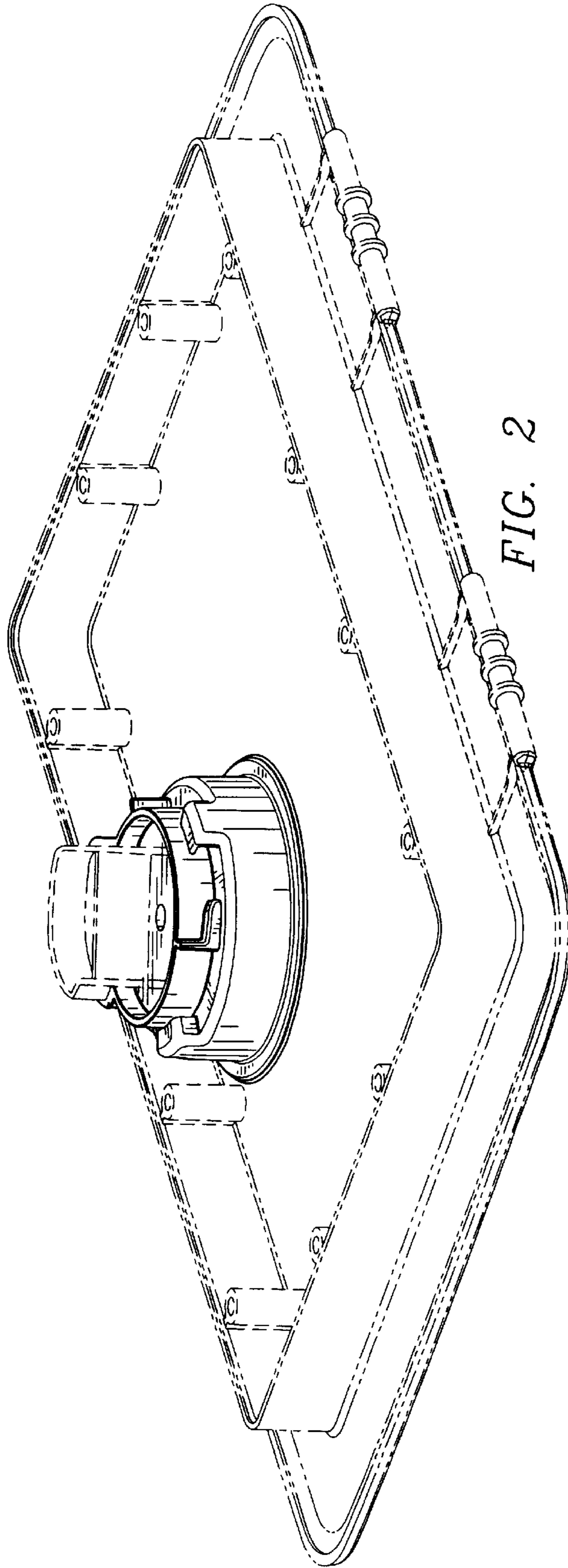


FIG. 1



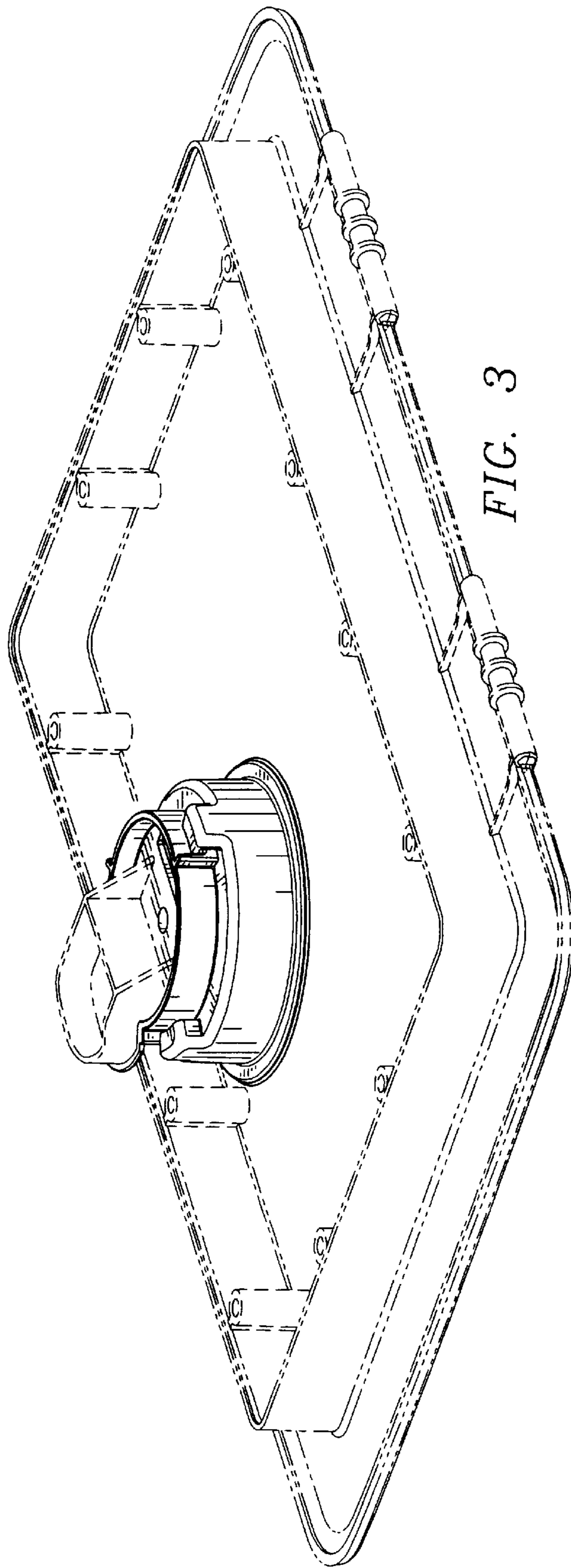
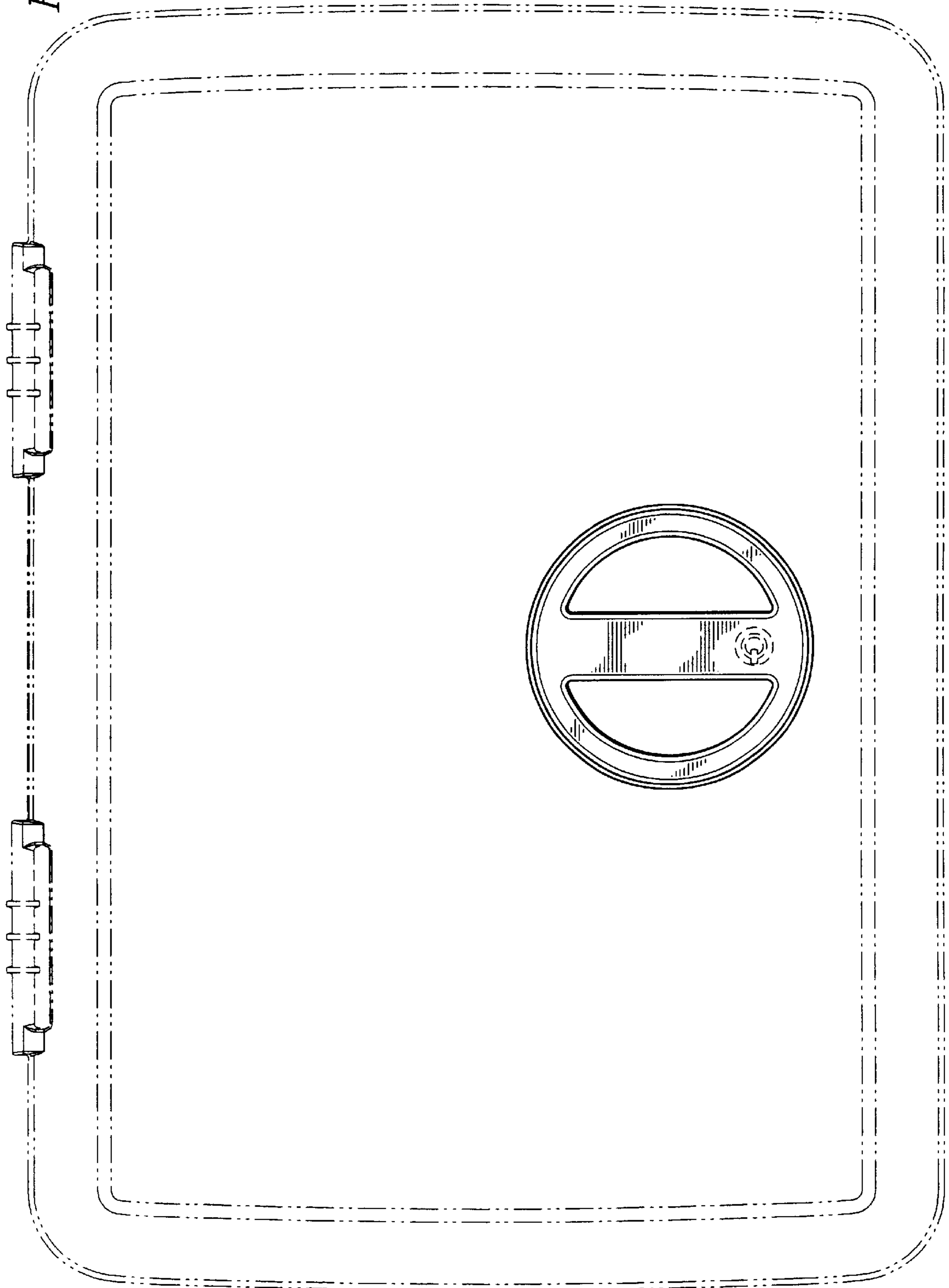


FIG. 4



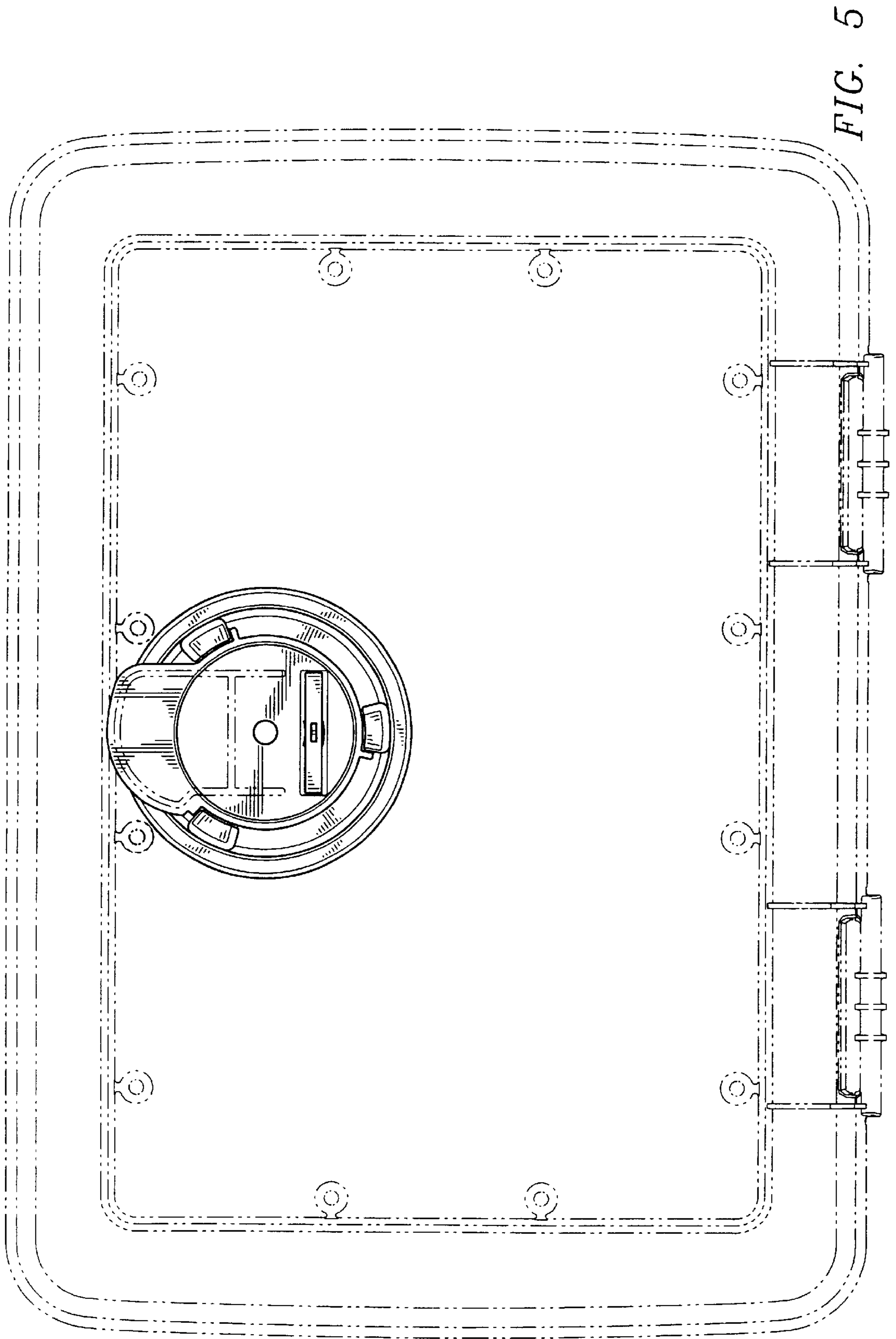


FIG. 5

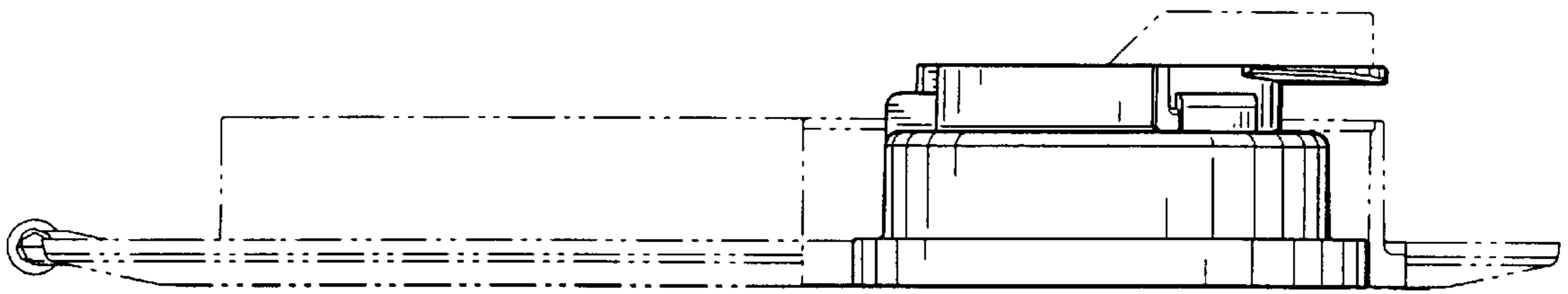


FIG. 6

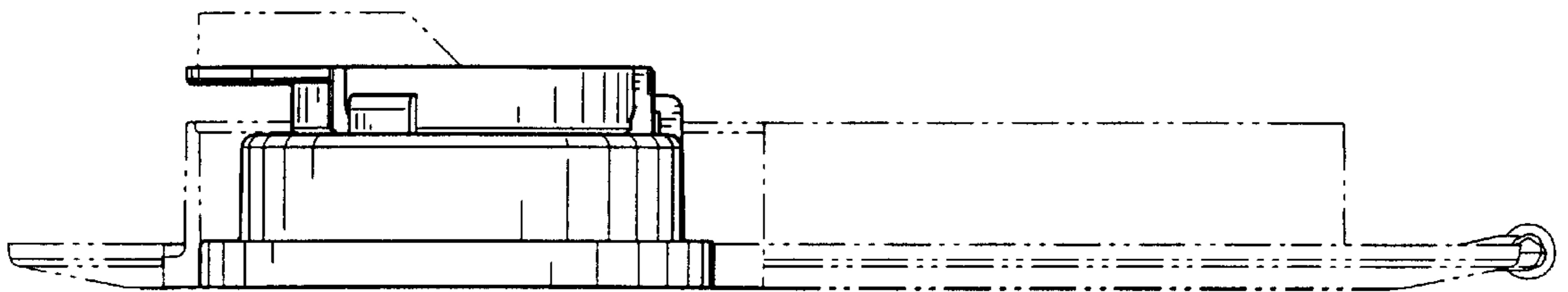


FIG. 7