



US00D467787S

(12) **United States Design Patent**
Linares

(10) **Patent No.:** **US D467,787 S**

(45) **Date of Patent:** **** Dec. 31, 2002**

(54) **SPRING-LOADED CAMLOCK**

6,113,160 A * 9/2000 Johansson et al. 292/169
D435,427 S * 12/2000 Sokurenko D8/331

(75) Inventor: **Rodolfo A. Linares**, Whittier, CA (US)

* cited by examiner

(73) Assignee: **S.P.E.P. Acquisition Corp.**, Rancho
Dominquez, CA (US)

Primary Examiner—Brian N. Vinson

(74) *Attorney, Agent, or Firm*—Cislo & Thomas LLP

(**) Term: **14 Years**

(57) **CLAIM**

(21) Appl. No.: **29/152,975**

The ornamental design for a spring-loaded camlock, as shown and described.

(22) Filed: **Nov. 1, 2001**

(51) **LOC (7) Cl.** **08-07**

(52) **U.S. Cl.** **D8/331**

(58) **Field of Search** D8/330, 331, 338,
D8/341, 343; 292/137, 163, 169, 219, DIG. 37;
70/344, 370, 391, 454

DESCRIPTION

FIG. 1. Is a perspective view of the spring-loaded camlock design;

FIG. 2. Is a top view thereof;

FIG. 3. Is a left side elevational view thereof, the right side view thereof being symmetrical hereto;

FIG. 4. Is a front view thereof;

FIG. 5. Is a bottom view thereof; and,

FIG. 6. Is a rear view thereof.

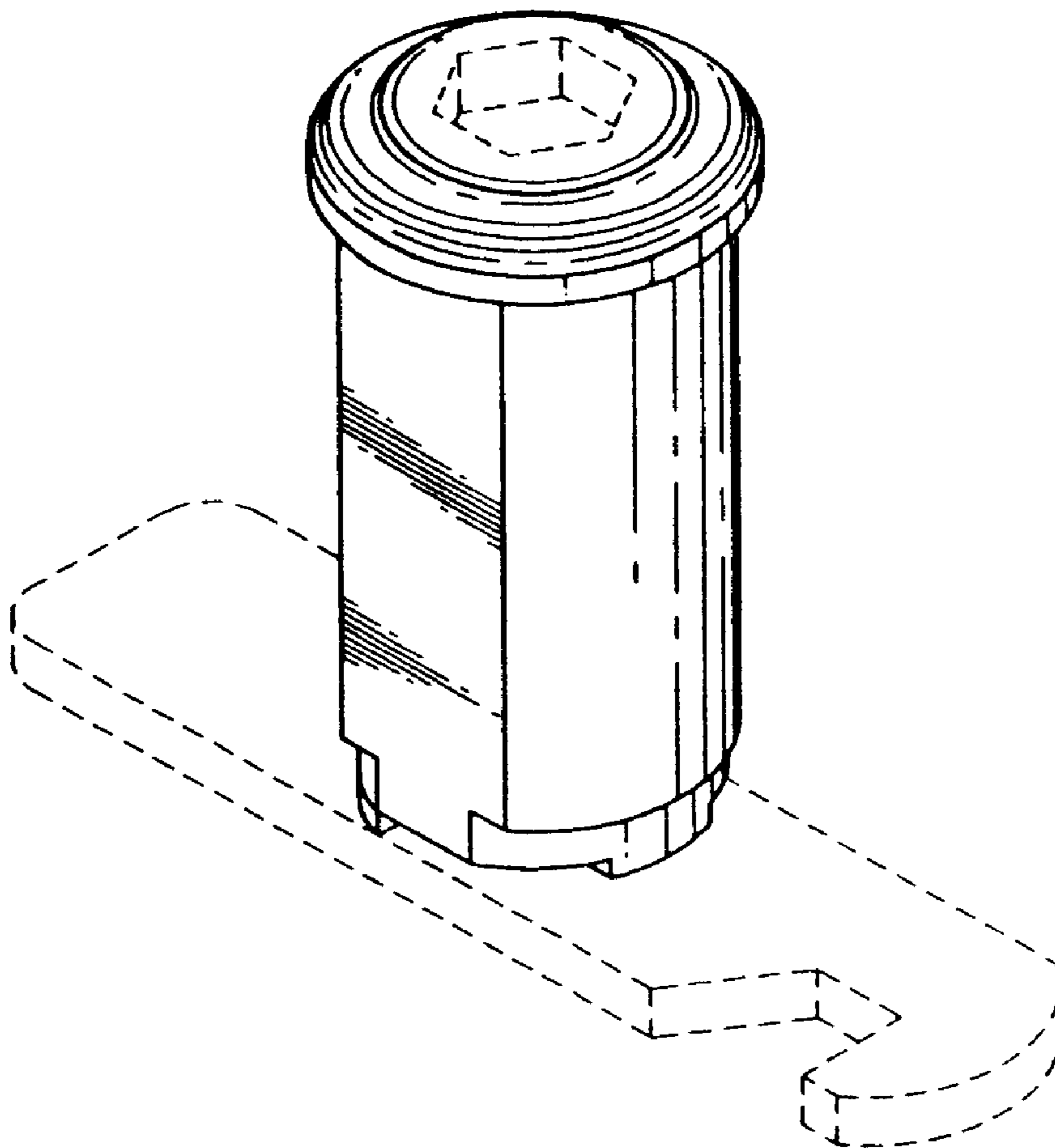
The broken lines shown in the above-mentioned drawings are for illustrative purposes only and are not intended to form part of the claimed design.

(56) **References Cited**

U.S. PATENT DOCUMENTS

D312,769 S * 12/1990 Bisbing D8/338
4,978,152 A * 12/1990 Bisbing 292/169
5,251,467 A * 10/1993 Anderson 70/370
D361,501 S * 8/1995 Myers D8/331
D410,190 S * 5/1999 Freck D8/331

1 Claim, 1 Drawing Sheet



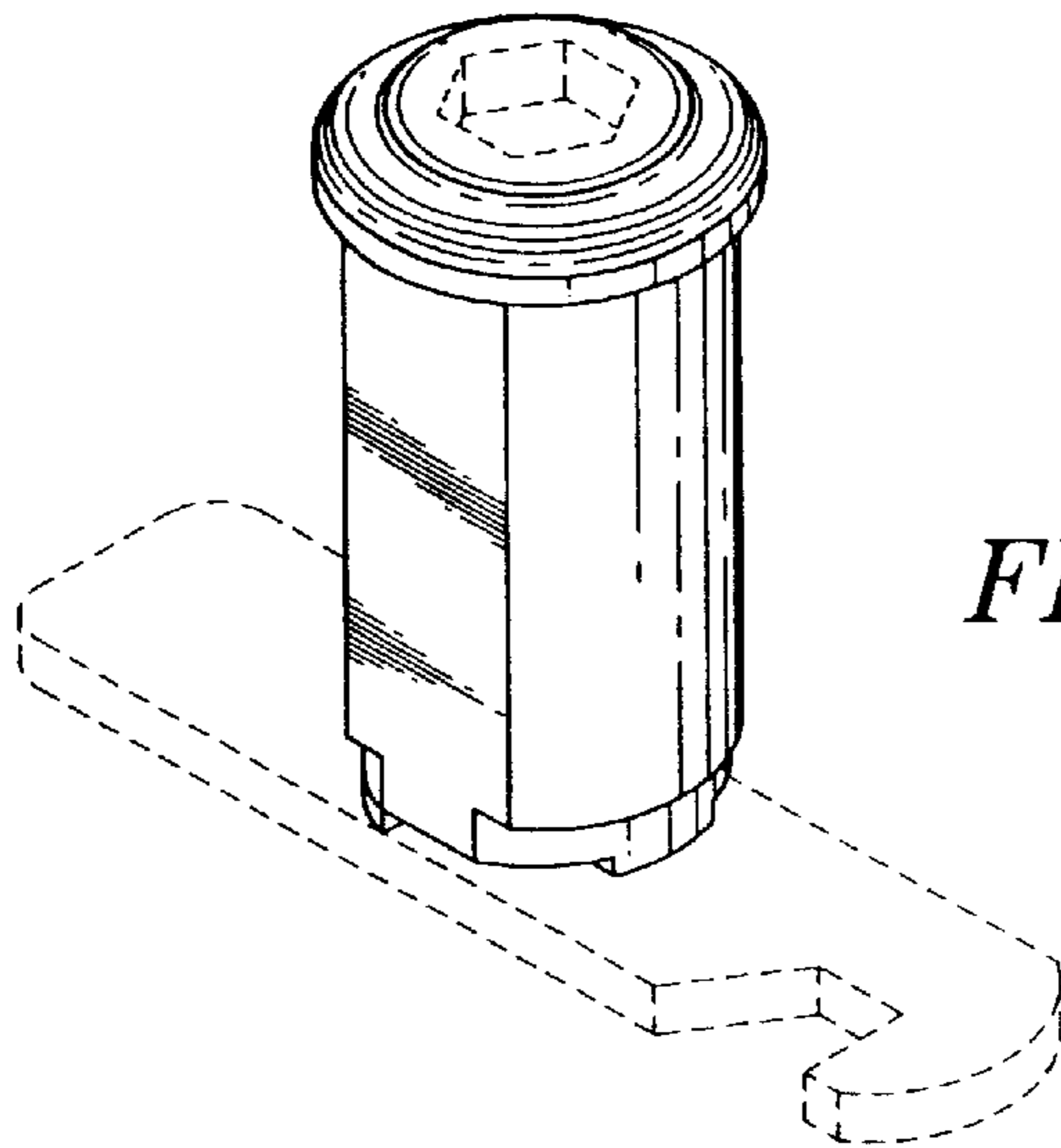


FIG. 1

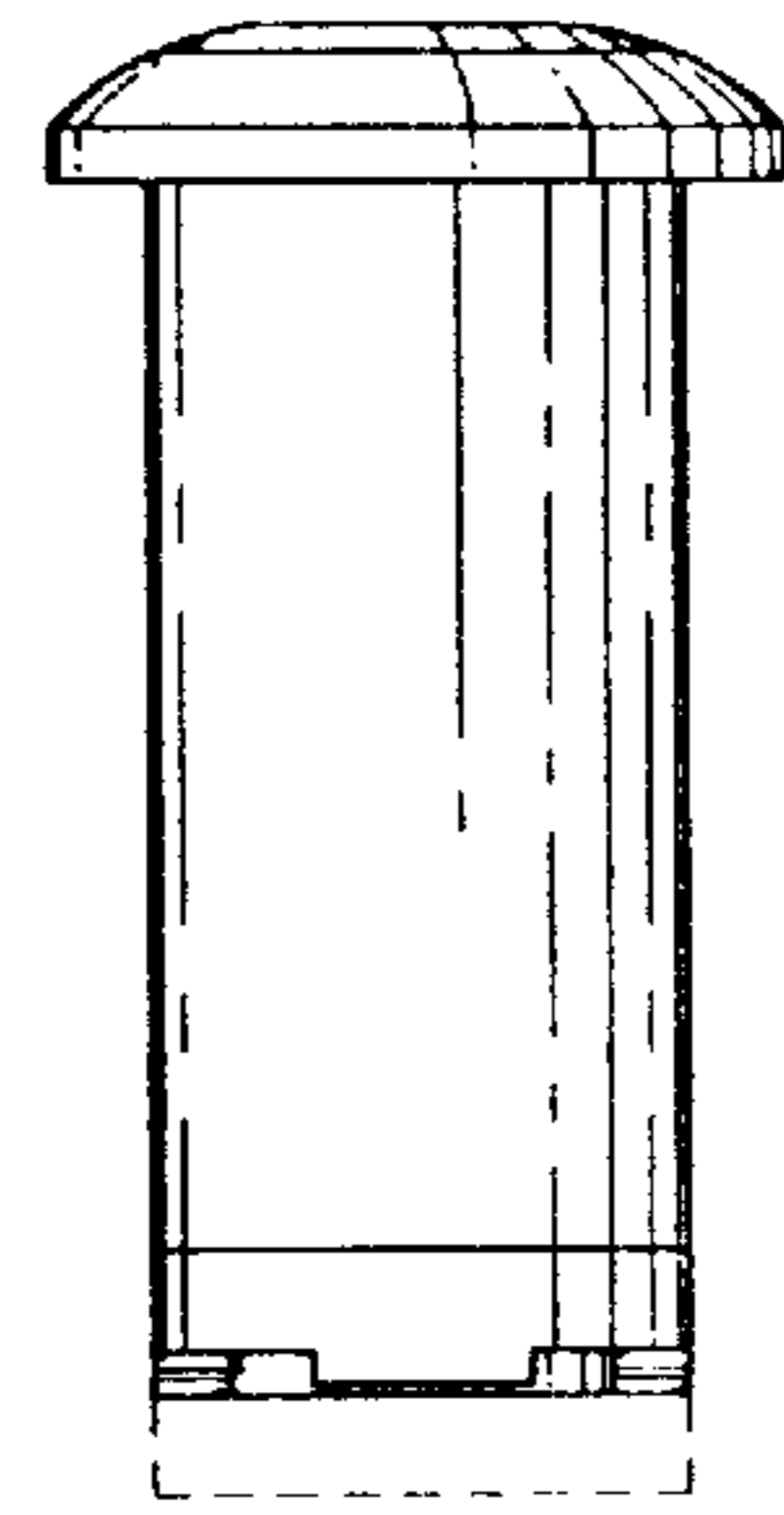


FIG. 4

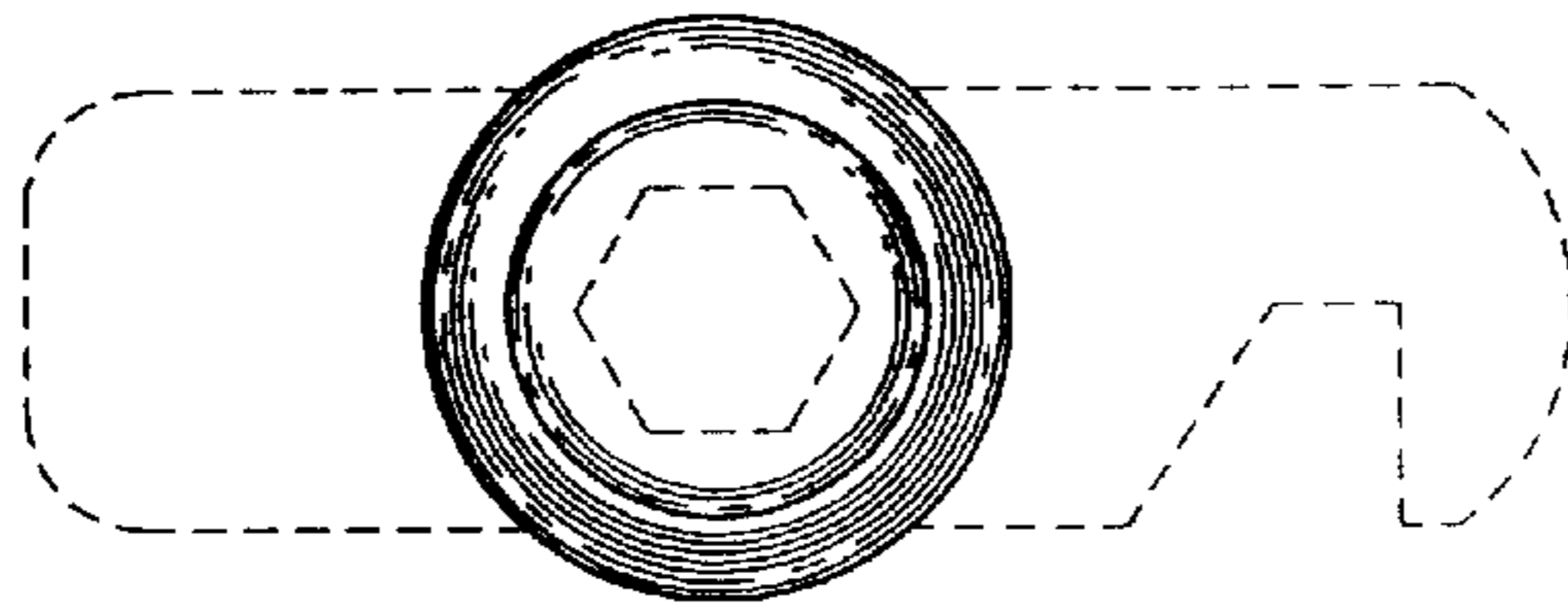


FIG. 2

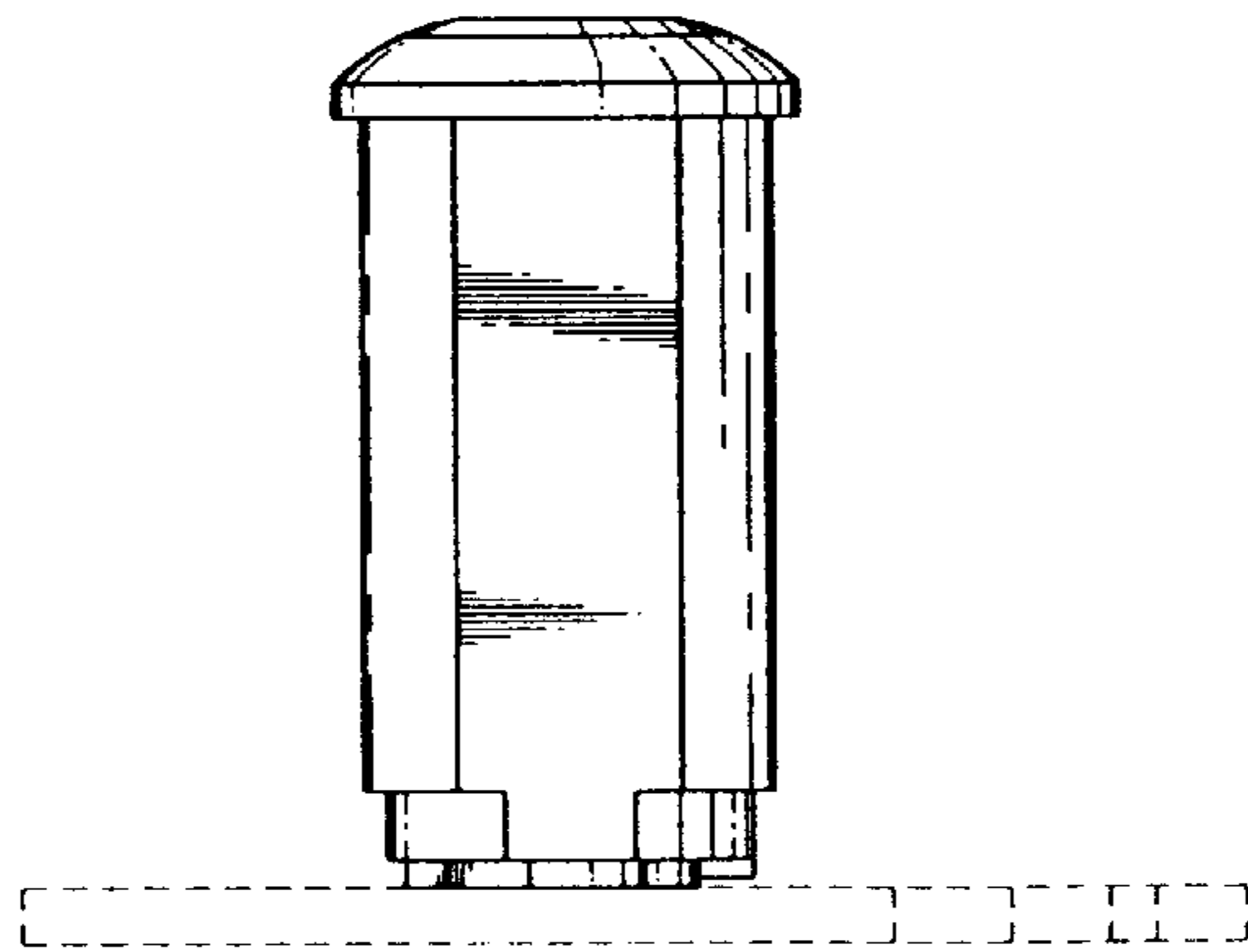


FIG. 3

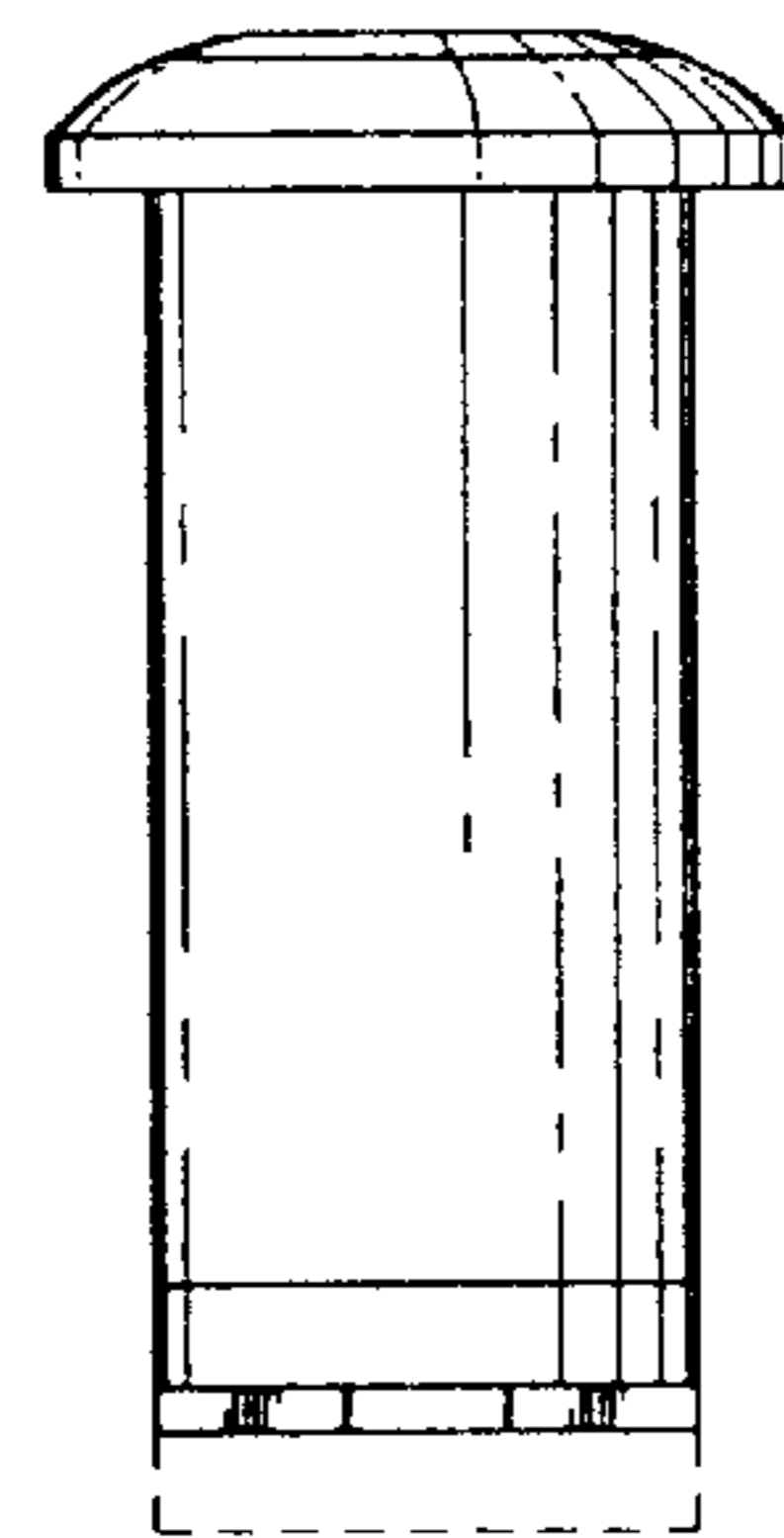


FIG. 6

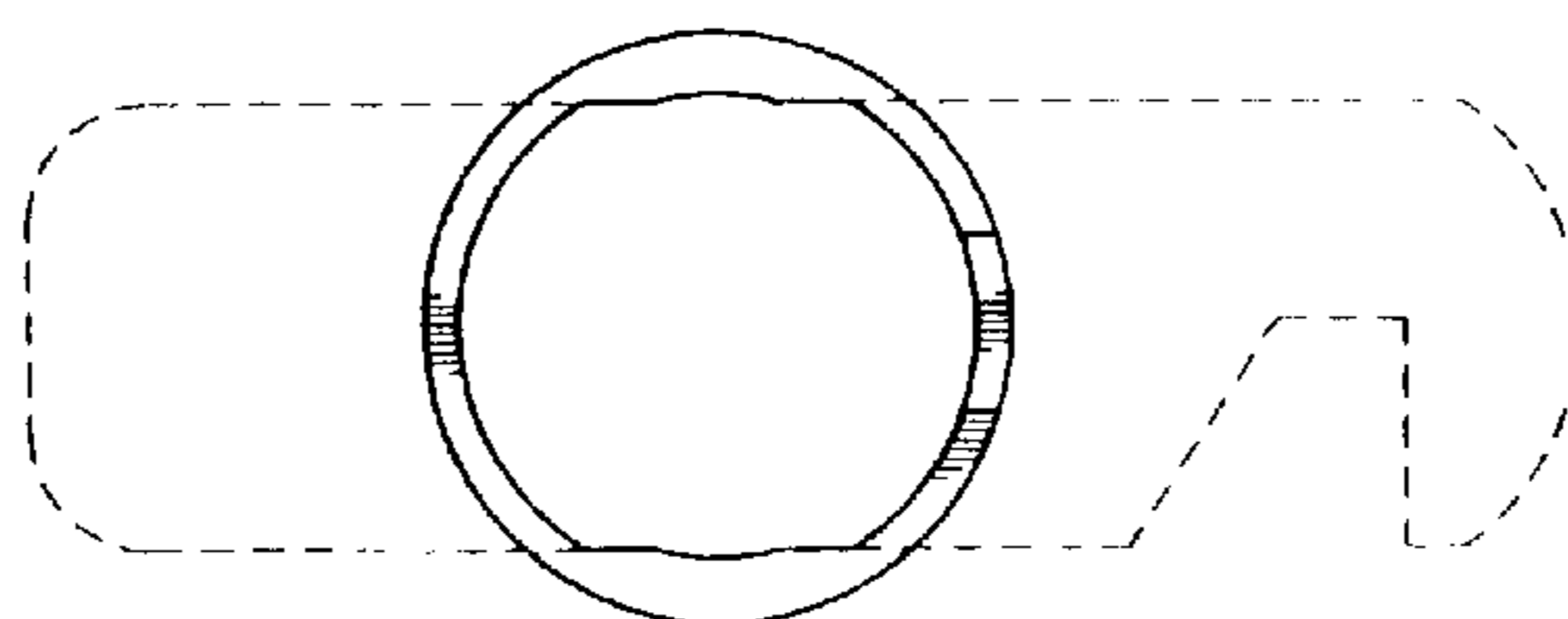


FIG. 5