



US00D467786S

(12) **United States Design Patent**  
**Weinerman et al.**

(10) **Patent No.:** **US D467,786 S**

(45) **Date of Patent:** **\*\* Dec. 31, 2002**

(54) **LINKAGE ASSEMBLY FOR USE WITH PUSH BUTTON LATCH AND LOCK OPERATING ASSEMBLIES**

(75) Inventors: **Lee S. Weinerman**, Medina, OH (US);  
**Arthur J. Kuminski**, Parma, OH (US);  
**Scott A. Arthurs**, Brunswick, OH (US)

(73) Assignee: **The Eastern Company**, Cleveland, OH (US)

(\*\*) Term: **14 Years**

(21) Appl. No.: **29/159,991**

(22) Filed: **May 2, 2002**

**Related U.S. Application Data**

(63) Continuation-in-part of application No. 09/698,416, filed on Oct. 27, 2000, and a continuation-in-part of application No. 29/152,852, filed on Dec. 27, 2001, which is a continuation-in-part of application No. 29/142,044, filed on May 17, 2001, which is a continuation-in-part of application No. 29/131,819, filed on Oct. 27, 2000, now Pat. No. Des. 447,042, which is a continuation-in-part of application No. 29/113,063, filed on Oct. 28, 1999, now Pat. No. Des. 445,015, application No. 29/159,991, which is a continuation-in-part of application No. 29/152,851, filed on Dec. 27, 2001, which is a continuation-in-part of application No. 29/142,044, filed on May 17, 2001, which is a continuation-in-part of application No. 29/131,819, filed on Oct. 27, 2000, now Pat. No. Des. 447,042, which is a continuation-in-part of application No. 29/113,063, filed on Oct. 28, 1999, now Pat. No. Des. 445,015.

(51) **LOC (7) Cl.** ..... **08-07**

(52) **U.S. Cl.** ..... **D8/330**

(58) **Field of Search** ..... D8/330, 331, 336,  
D8/343; 292/82, 208, 210, 216, 209, 309,  
300, 63, 56; 285/312

(56) **References Cited**

**U.S. PATENT DOCUMENTS**

113,070 A 3/1871 Loeffelholz et al. .... 292/34

417,589 A	12/1889	Rose	292/40
480,148 A	8/1892	Theby	292/36
491,824 A	2/1893	Walker	200/61.64
767,567 A	8/1904	Keil	292/127
876,300 A	1/1908	Couret	292/135
925,455 A	6/1909	Campbell	70/81
1,018,077 A	2/1912	Petterson	70/150
1,058,346 A	4/1913	Berstler	292/21
1,174,652 A	3/1916	Banks	292/36
1,368,141 A	2/1921	Hagstrom	292/34
1,531,605 A	3/1925	Gaynor	200/535
1,556,864 A	10/1925	Mendenhall	292/33
1,571,453 A	2/1926	Maxon	292/170
1,672,901 A	6/1928	North	292/227
1,908,980 A	5/1933	Heyel	70/120
1,965,939 A	7/1934	Jacobi	70/29
2,059,479 A	11/1936	North	292/127
2,322,040 A	6/1943	Maruri	70/145
2,683,978 A	7/1954	Jacobi	70/360
2,705,884 A	4/1955	Craig	70/264
2,728,214 A	12/1955	Craig	70/149
2,755,519 A	7/1956	Xander	20/52
2,772,908 A	12/1956	Craig	292/280
2,911,247 A	11/1959	Corbin	292/48
2,987,907 A	6/1961	Cockburn et al.	70/135

(List continued on next page.)

*Primary Examiner*—Brian N. Vinson

(74) *Attorney, Agent, or Firm*—David A. Burge

(57) **CLAIM**

We claim the ornamental design for linkage assembly for use with push button latch and lock operating assemblies, as shown and described.

**DESCRIPTION**

FIG. 1 is a perspective view showing principally top, front and right features of a linkage assembly for use with push button latch and lock operating assemblies, embodying our new design;

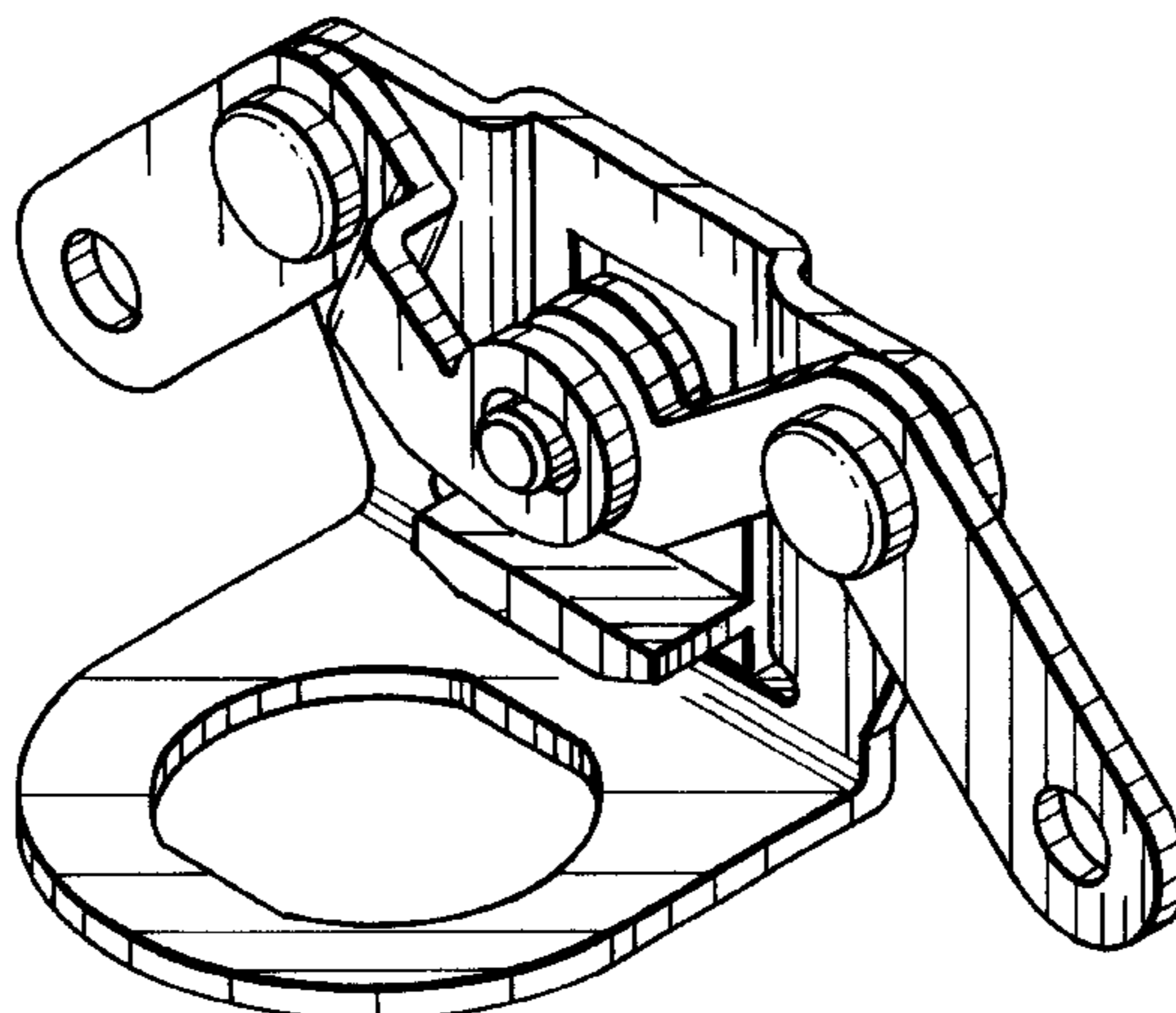
FIG. 2 is a top plan view thereof;

FIG. 3 is a front view thereof;

FIG. 4 is a rear view thereof; and,

FIG. 5 is a bottom view thereof.

**1 Claim, 3 Drawing Sheets**



# US D467,786 S

Page 2

## U.S. PATENT DOCUMENTS

3,054,634 A	9/1962	Westerdale	292/336.3	5,526,660 A	6/1996	Bennett et al.	70/208
3,545,799 A	12/1970	Gertsfeld	292/34	D371,300 S	7/1996	Mordick	D8/343
3,602,017 A	8/1971	Bauer	70/78	5,564,295 A	10/1996	Weinerman et al.	70/208
3,834,780 A	9/1974	McClellan et al.	312/219	5,586,458 A *	12/1996	Weinerman et al.	70/208
3,964,280 A	6/1976	Kelton	70/84	5,595,076 A	1/1997	Weinerman et al.	70/208
4,059,296 A	11/1977	Panourgias	285/312	5,611,224 A	3/1997	Weinerman et al.	70/208
4,488,669 A	12/1984	Waters	224/273	5,816,630 A	10/1998	Bennett et al.	292/341.17
4,601,499 A	7/1986	Kim	292/36	5,884,948 A	3/1999	Weinerman et al.	292/216
4,892,338 A	1/1990	Weinerman et al.	292/35	5,984,383 A	11/1999	Parikh et al.	292/121
4,978,152 A	12/1990	Bisbing	292/169	6,012,747 A	1/2000	Takamura et al.	292/216
D313,337 S	1/1991	Haskell	D8/336	D429,141 S *	8/2000	Antonucci et al.	D8/331
5,042,853 A	8/1991	Gleason et al.	292/126	6,113,160 A	9/2000	Johansson et al.	292/169
D324,635 S	3/1992	Weinerman et al.	D8/331	D432,389 S	10/2000	Johansson et al.	D8/331
5,308,126 A	5/1994	Weger, Jr. et al.	292/53	6,231,091 B1 *	5/2001	Gleason et al.	292/34
5,346,266 A	9/1994	Bisbing	292/64	D447,042 S	8/2001	Weinerman et al.	D8/330
5,439,260 A	8/1995	Weinerman et al.	292/48	6,349,577 B1	2/2002	Hansen et al.	70/159

\* cited by examiner

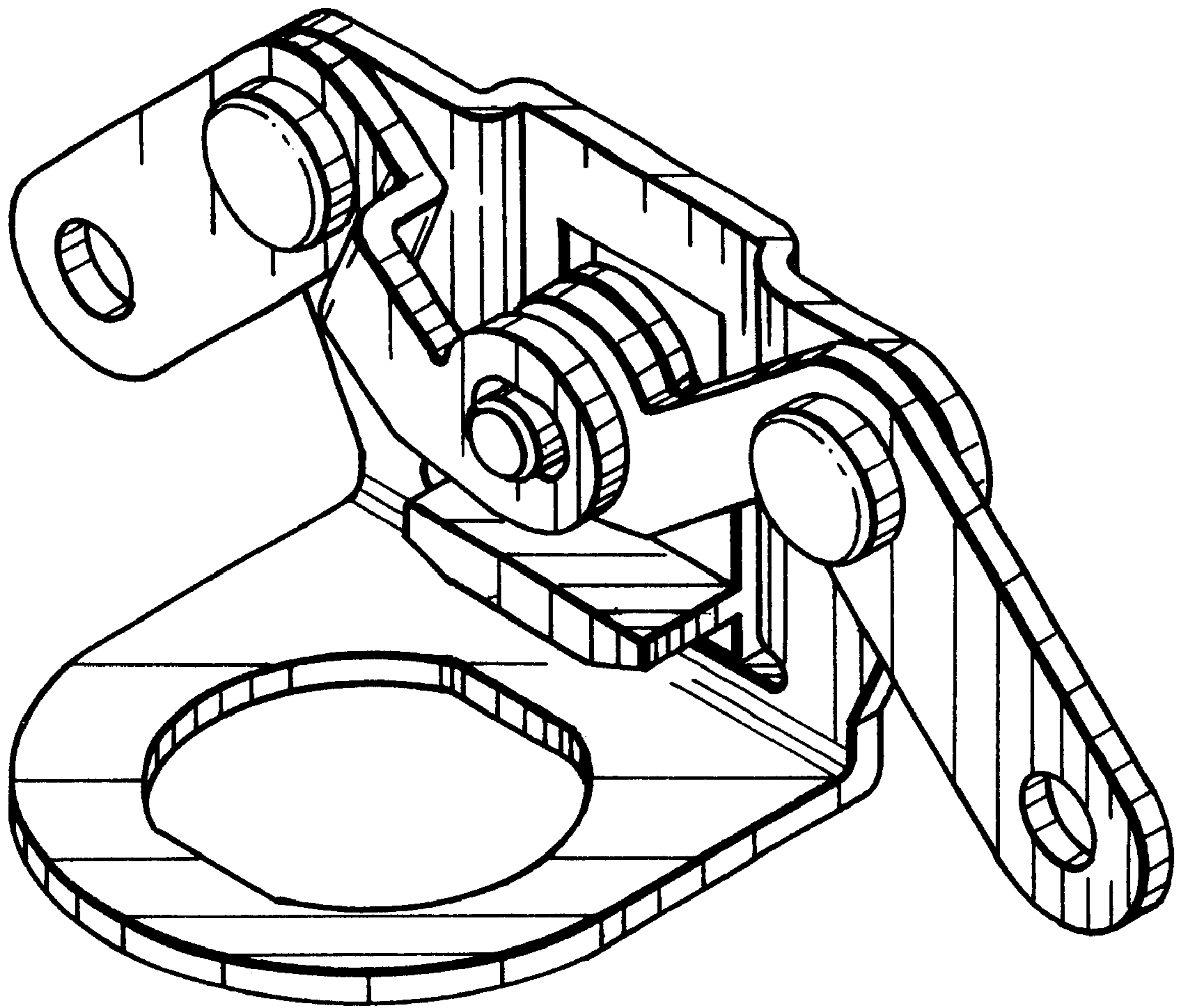


FIG. 1

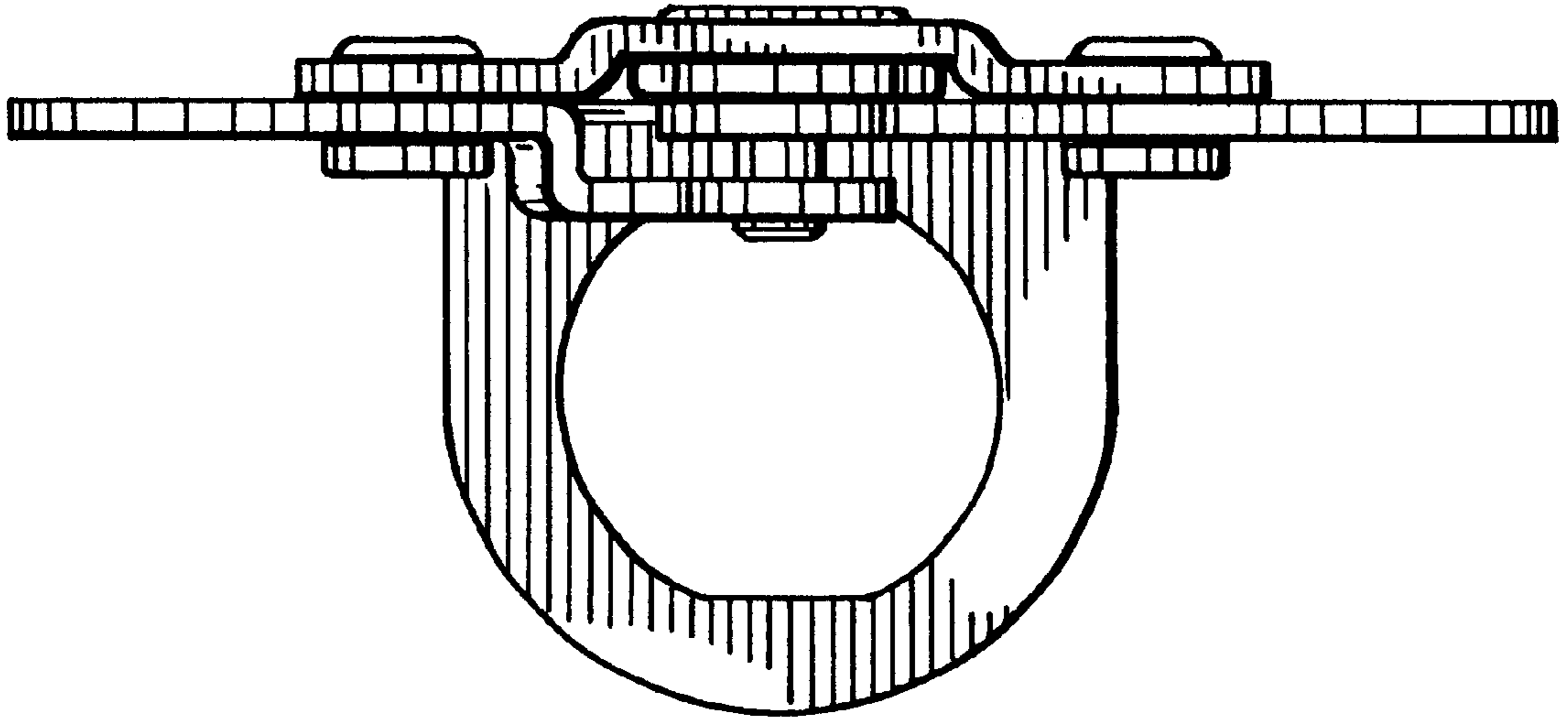


FIG. 2

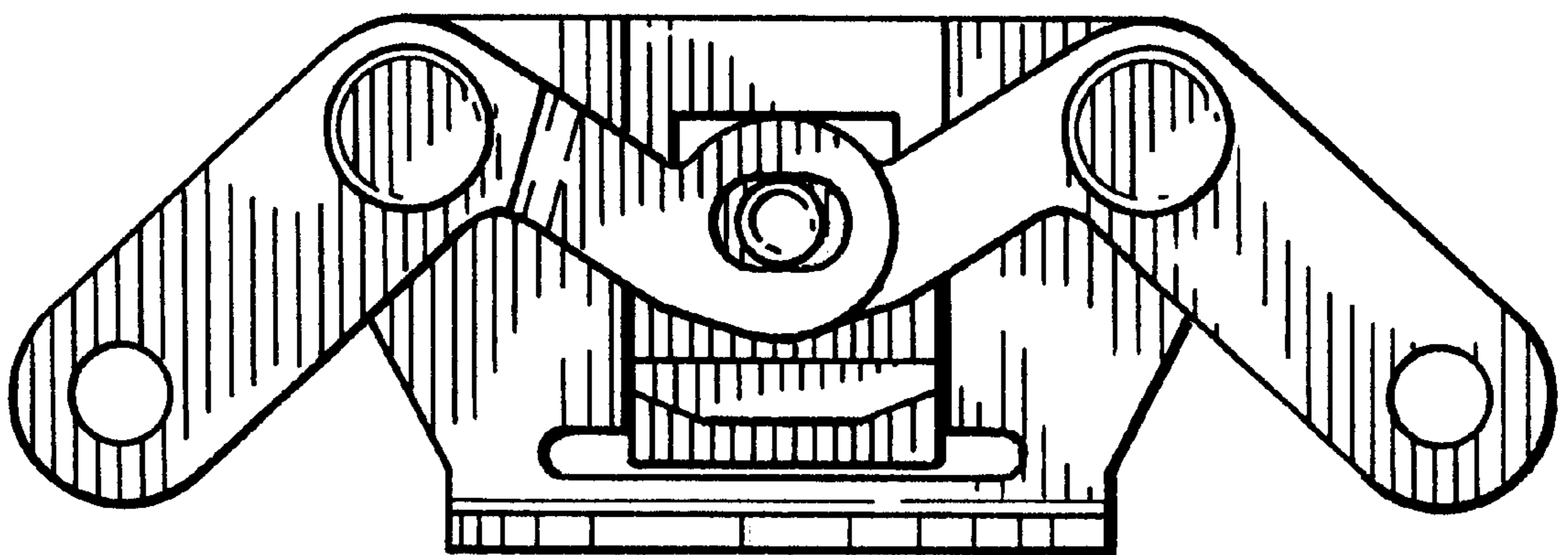


FIG. 3

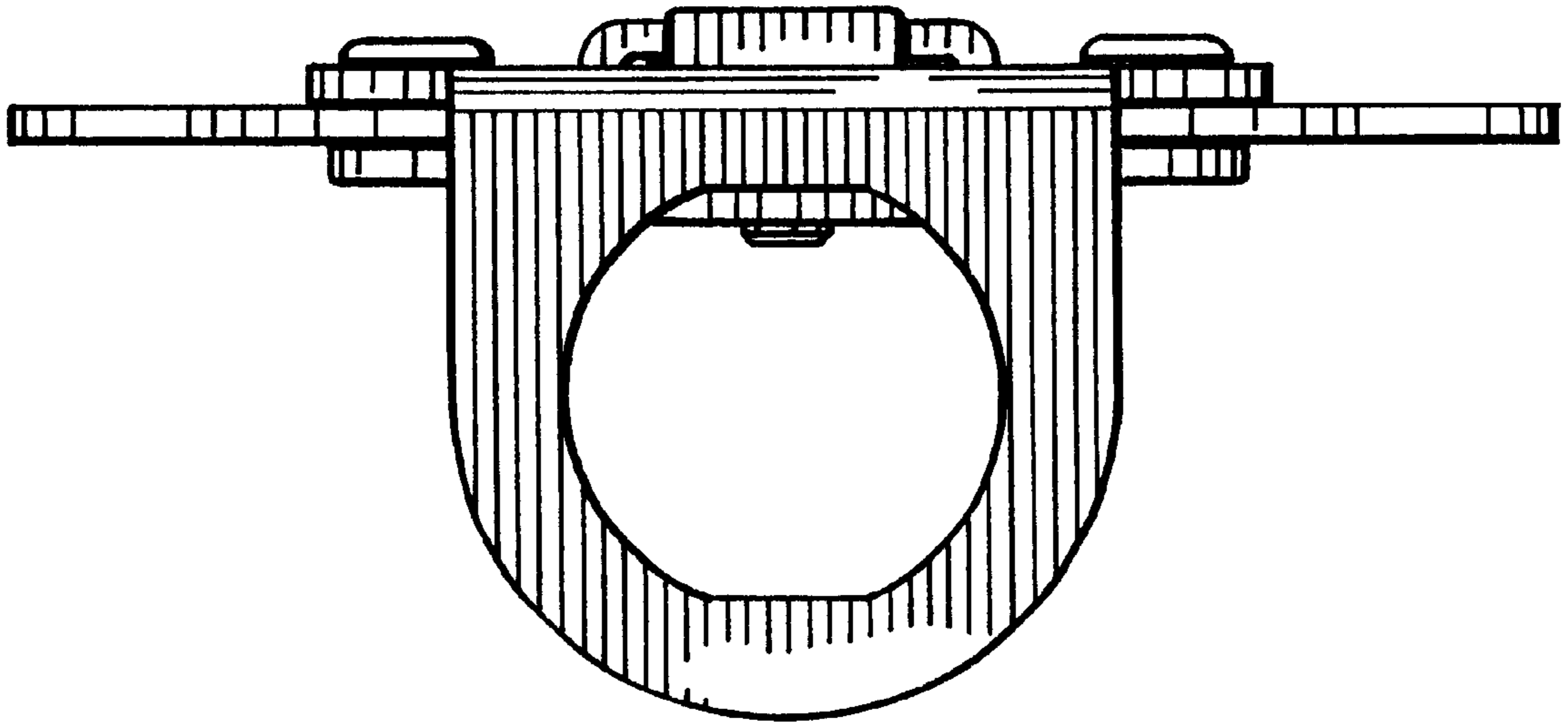


FIG. 4

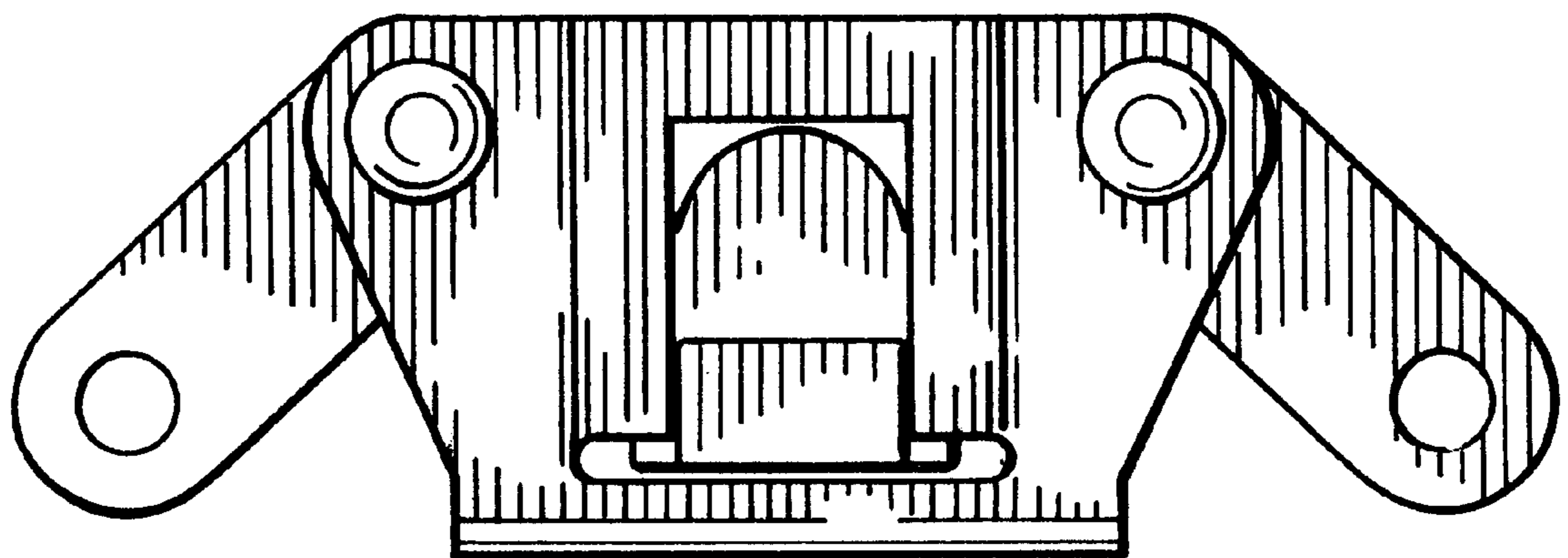


FIG. 5