



US00D467785S

(12) **United States Design Patent**
Tsai

(10) **Patent No.:** **US D467,785 S**

(45) **Date of Patent:** **** Dec. 31, 2002**

(54) **DOOR HANDLE**

(76) Inventor: **Miao-Hsueh Tsai**, 11F-2, No. 43,
Chai-I Street, Taichung City (TW)

(**) Term: **14 Years**

(21) Appl. No.: **29/154,592**

(22) Filed: **Jan. 28, 2002**

(51) **LOC (7) Cl.** **08-06**

(52) **U.S. Cl.** **D8/320; D8/319**

(58) **Field of Search** D8/300-302, 315-320,
D8/338, 341; 16/110.1, 412, 415, 443,
416; 292/357, 356, 336.3

(56) **References Cited**

U.S. PATENT DOCUMENTS

D199,612 S	*	11/1964	Foster	D8/319
D384,266 S	*	9/1997	Mantarakis et al.	D8/301
D384,568 S	*	10/1997	Mantarakis et al.	D8/301
D397,023 S	*	8/1998	Subliskey	D8/319
D397,604 S	*	9/1998	Libby et al.	D8/301

5,820,170 A	*	10/1998	Clancy	292/DIG. 46
D431,994 S	*	10/2000	Libby et al.	D8/301
D448,647 S	*	10/2001	Goldsbury	D8/319

* cited by examiner

Primary Examiner—B. J. Bullock

(74) *Attorney, Agent, or Firm*—Charles E. Baxley

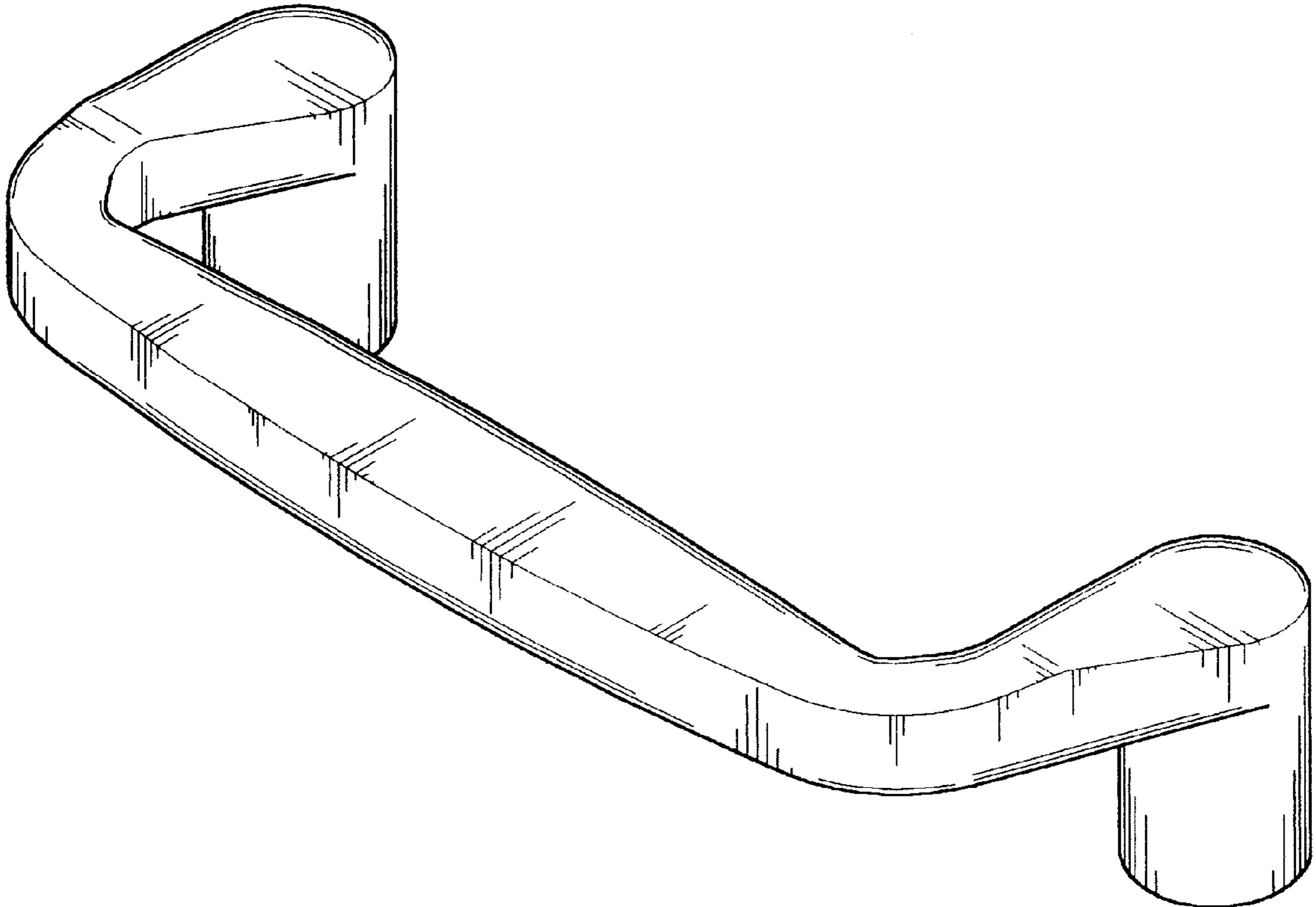
(57) **CLAIM**

The ornamental design for a door handle, as shown and described.

DESCRIPTION

FIG. 1 is a front-right-top perspective view of a door handle showing my new design;
 FIG. 2 is a front elevational view thereof;
 FIG. 3 is a rear elevational view thereof;
 FIG. 4 is a left elevational view thereof;
 FIG. 5 is a right elevational view thereof;
 FIG. 6 is a top plan view thereof; and,
 FIG. 7 is a bottom plan view thereof.

1 Claim, 3 Drawing Sheets



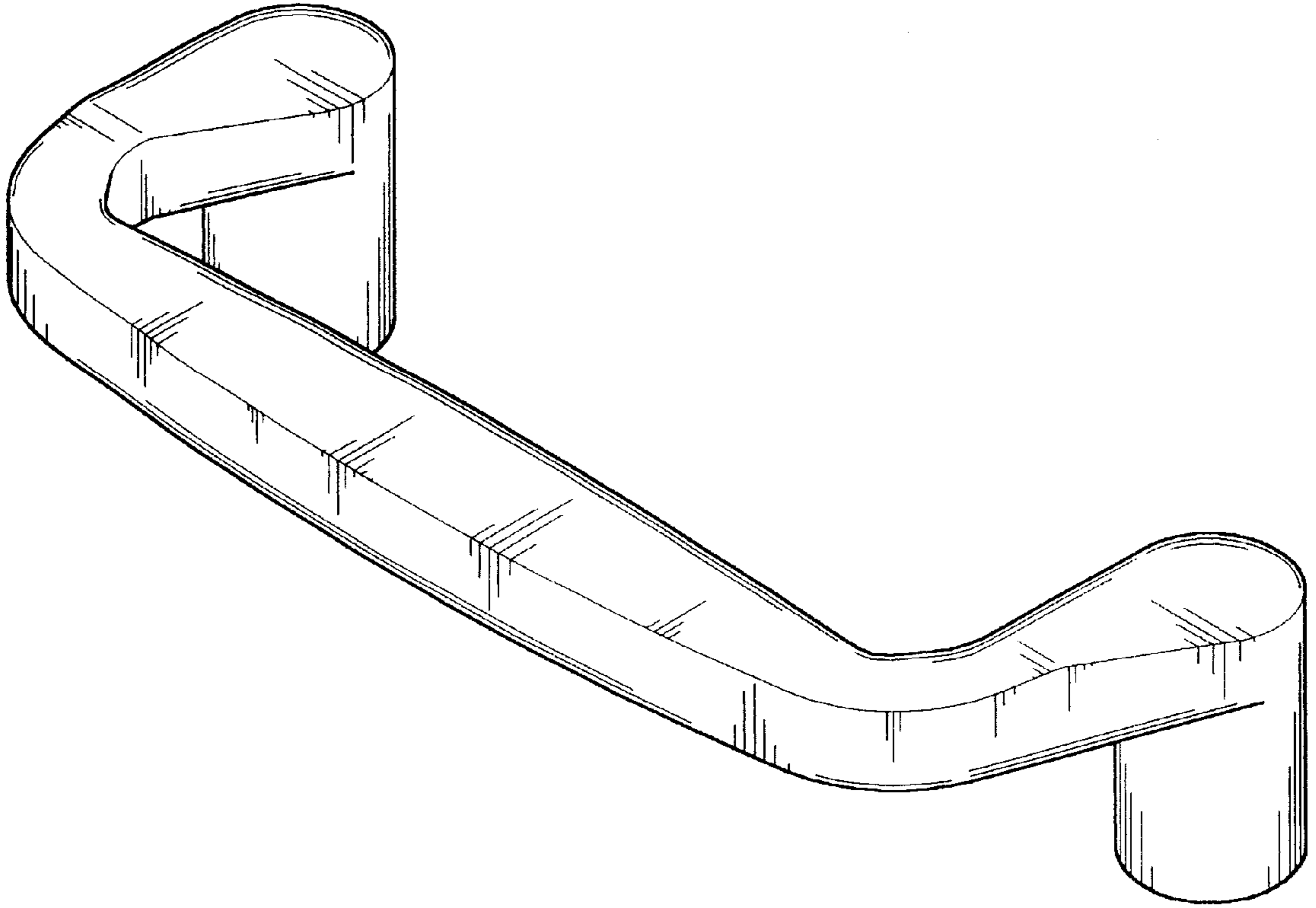


FIG.1

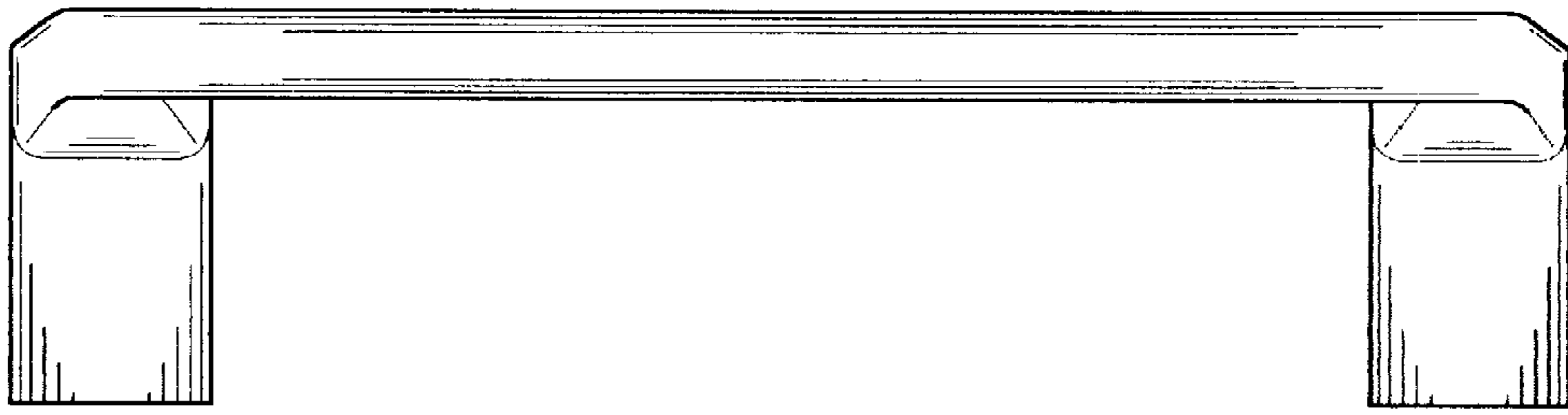


FIG. 2

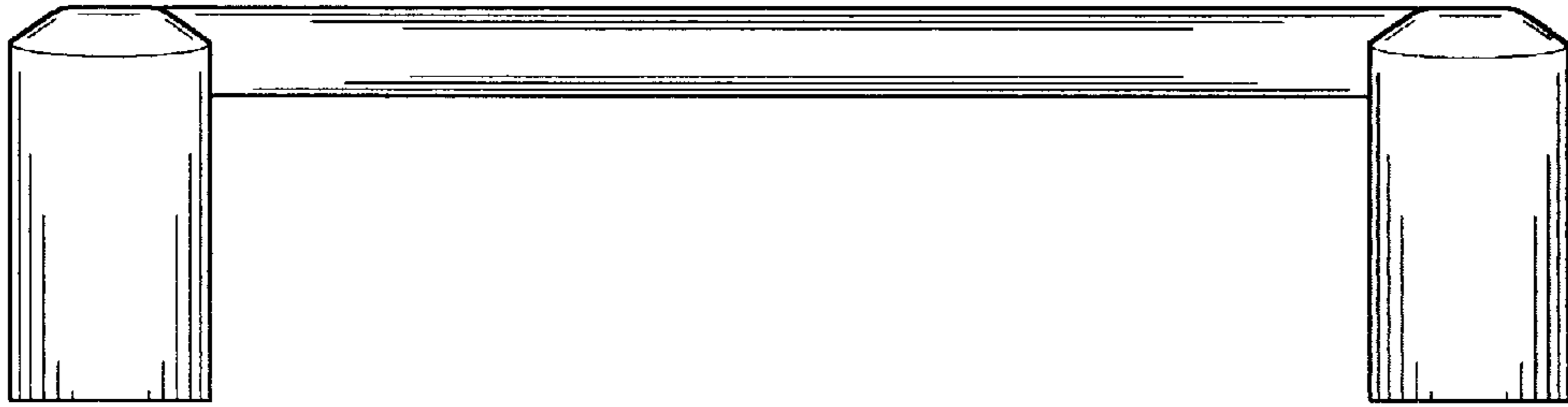


FIG. 3

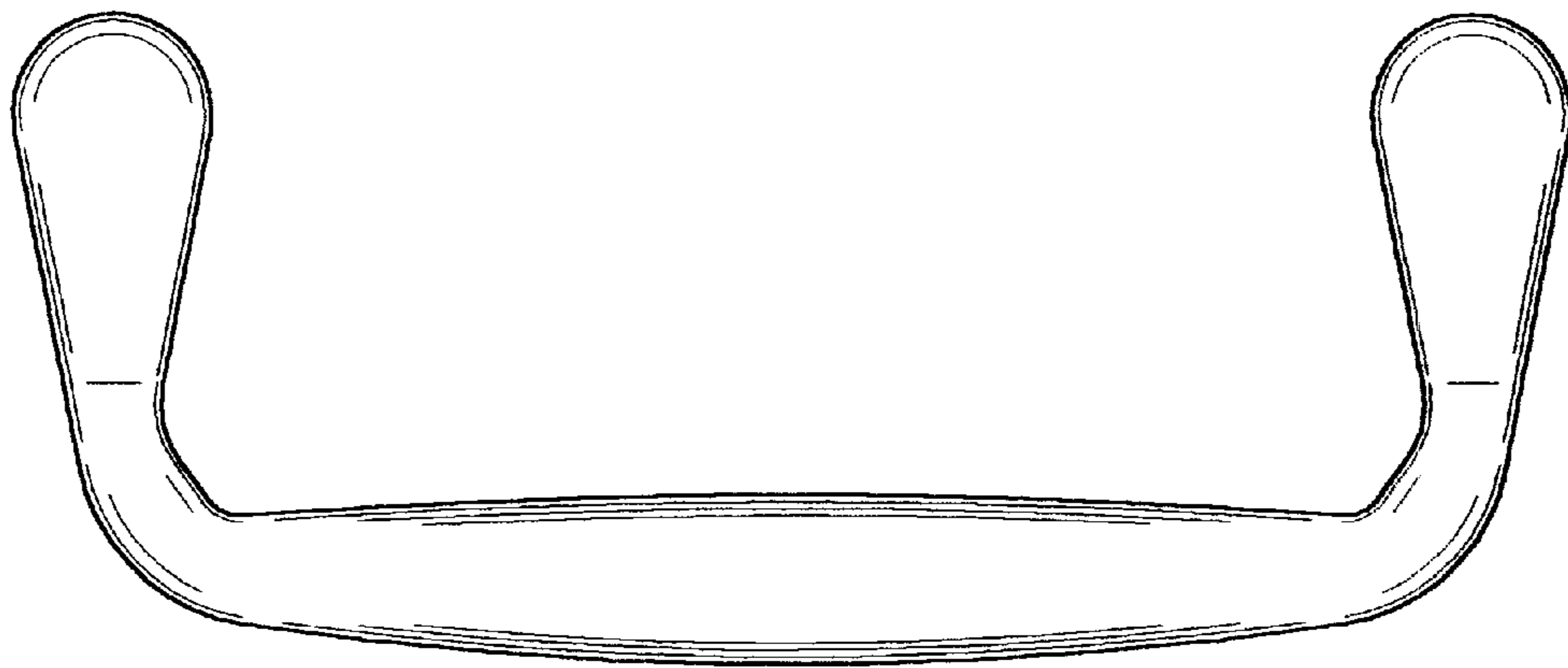


FIG. 6

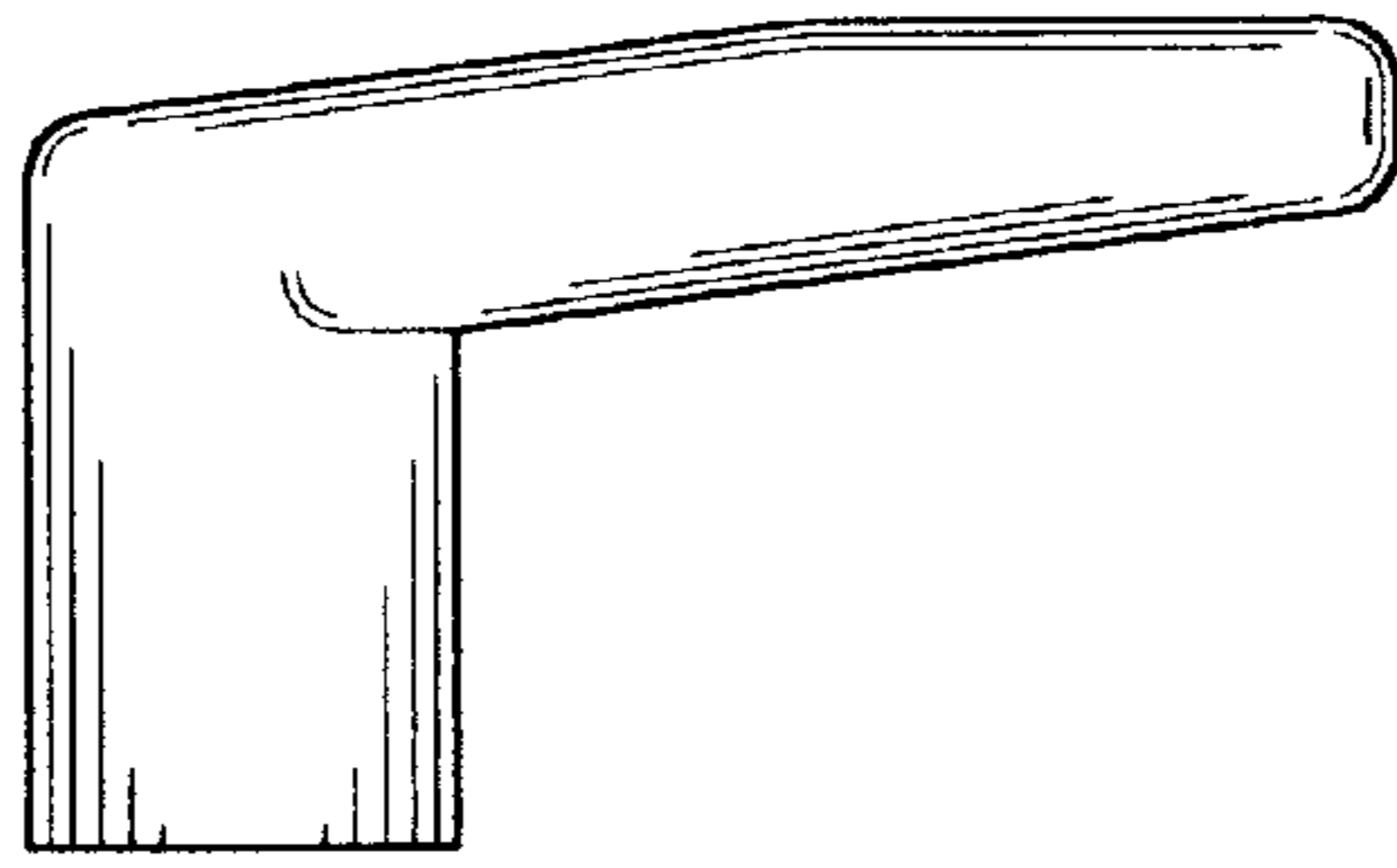


FIG. 4

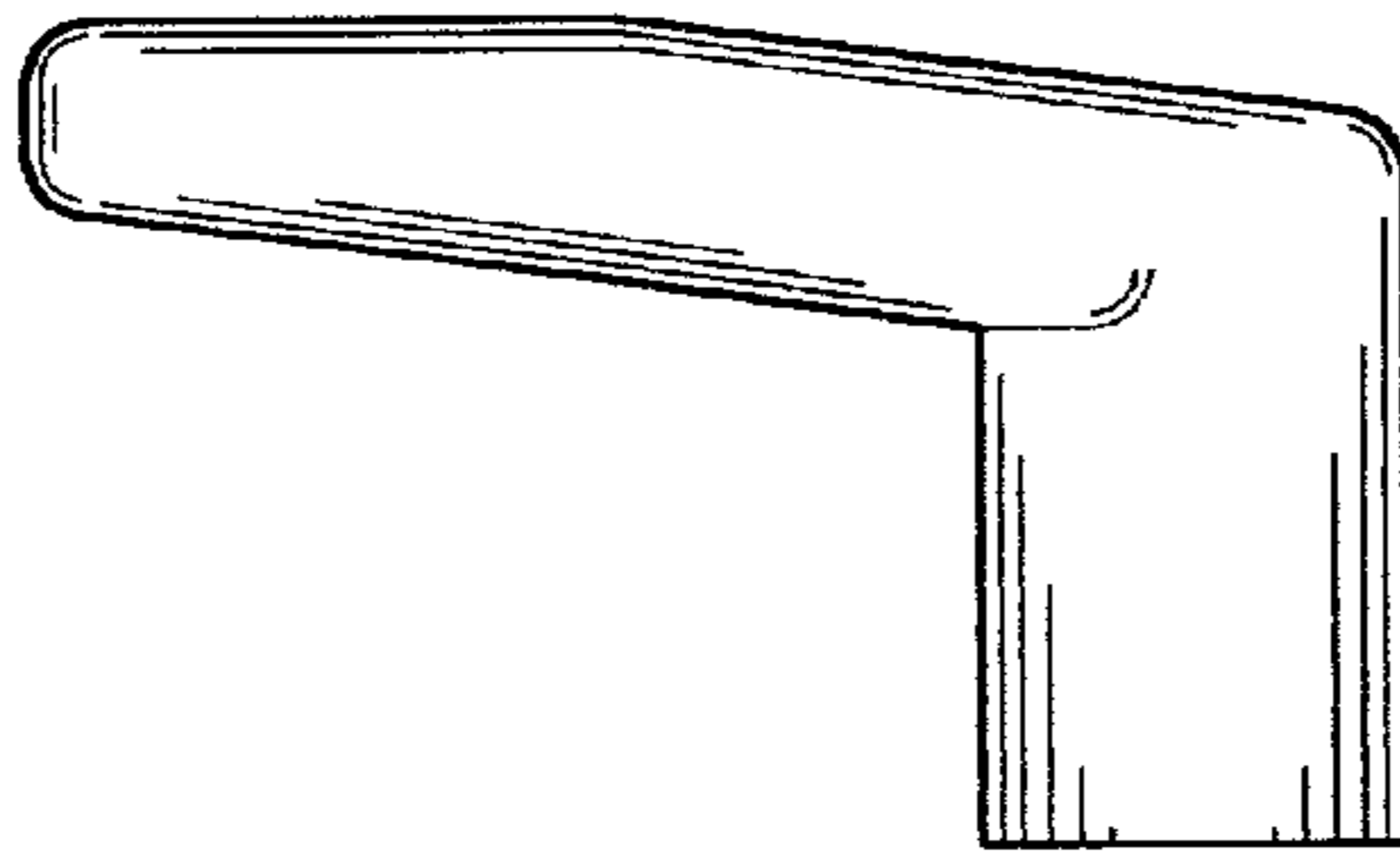


FIG. 5

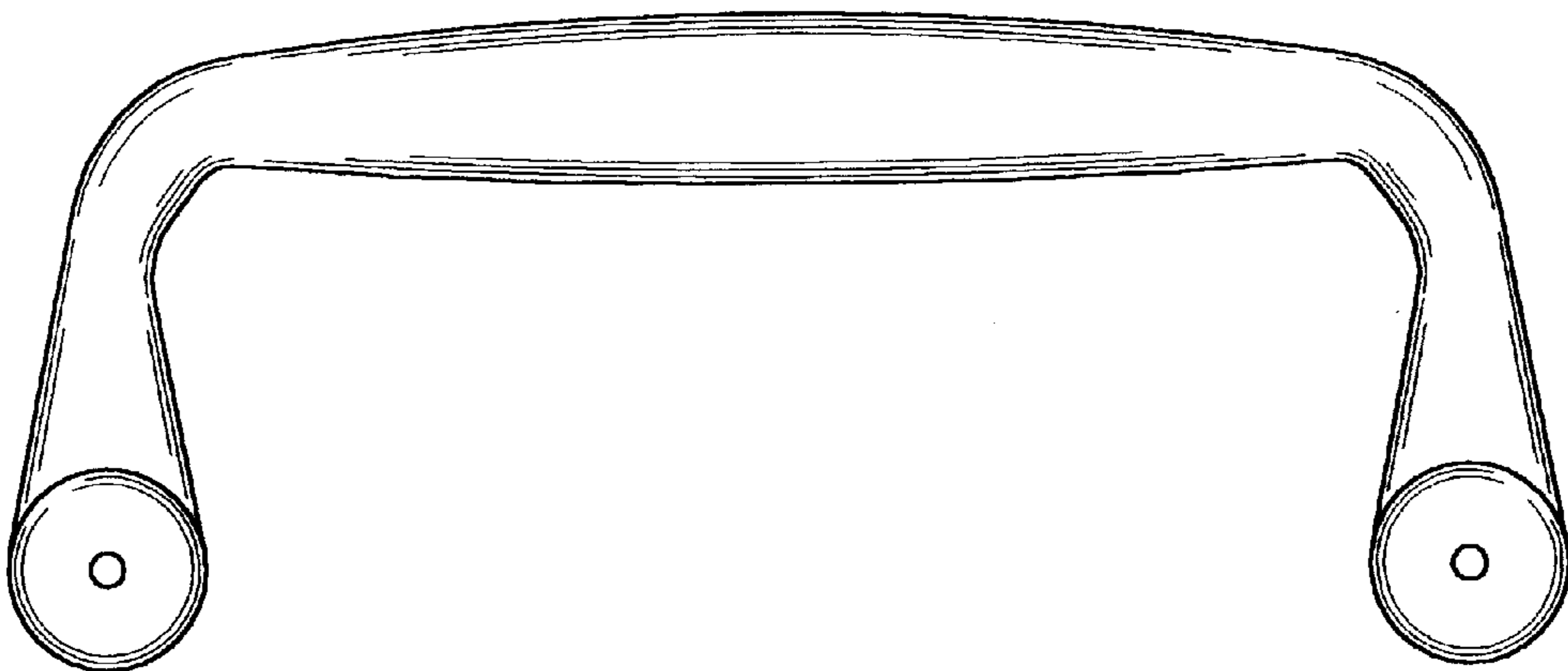


FIG. 7