



US00D467782S

(12) **United States Design Patent**
Morgan

(10) **Patent No.:** **US D467,782 S**

(45) **Date of Patent:** **** Dec. 31, 2002**

(54) **PNEUMATIC TOOL**

(75) **Inventor:** **Fred M. Morgan**, Jackson, TN (US)

(73) **Assignee:** **DeVilbiss Air Power Company**,
Jackson, TN (US)

(**) **Term:** **14 Years**

(21) **Appl. No.:** **29/153,888**

(22) **Filed:** **Oct. 23, 2001**

(51) **LOC (7) Cl.** **08-05**

(52) **U.S. Cl.** **D8/68**

(58) **Field of Search** D8/61, 62, 63,
D8/64, 65, 66, 67, 68, 69, 70; 81/57.11,
429, 464, 465, 466, 469, 489; 173/13, 169,
178, 213, 217; 227/8, 114, 120, 130, 136,
142; 310/50; 408/20, 124, 125, 234, 241 R;
451/358

(56) **References Cited**

U.S. PATENT DOCUMENTS

D205,091 S	*	6/1966	Averitt	D8/68
D223,134 S	*	3/1972	Bunyea	D8/68
3,924,961 A	*	12/1975	Hess et al.	173/169
D256,980 S	*	9/1980	Adams et al.	D8/68
D261,222 S	*	10/1981	Bunyea	D8/68
D294,001 S	*	2/1988	Greenlee et al.	D8/68
D324,802 S	*	3/1992	Caskey et al.	D8/68
D339,726 S	*	9/1993	Bruno et al.	D8/68
D377,894 S	*	2/1997	Sung	D8/68
D378,891 S	*	4/1997	Sung	D8/68
D382,184 S	*	8/1997	Sung	D8/61

D384,562 S	*	10/1997	Sung	D8/68
D403,564 S	*	1/1999	Izumisawa	D8/68
D410,830 S	*	6/1999	Pusateri et al.	D8/61
D434,297 S	*	11/2000	Iritani et al.	D8/68
D434,958 S	*	12/2000	Izumisawa	D8/68
6,158,459 A	*	12/2000	Chang	81/489
D436,818 S	*	1/2001	Izumisawa	D8/68
D441,628 S	*	5/2001	Bass et al.	D8/68
6,338,389 B1	*	1/2002	Chang	173/169
D458,824 S	*	6/2002	Chen	D8/68
D459,179 S	*	6/2002	Morgan	D8/68
D460,335 S	*	7/2002	Morgan	D8/68

OTHER PUBLICATIONS

Air impact wrenches, rocking dog heavy duty models
ZK-504 and 508, Zone King Industrial Co. brochure.*

* cited by examiner

Primary Examiner—Doris V. Coles

Assistant Examiner—T. Chase Nelson

(74) *Attorney, Agent, or Firm*—Suiter & Associates PC

(57) **CLAIM**

The ornamental design for a pneumatic tool, as shown.

DESCRIPTION

FIG. 1 is a top plan view of a pneumatic tool showing my
new design;

FIG. 2 is a front elevation view thereof;

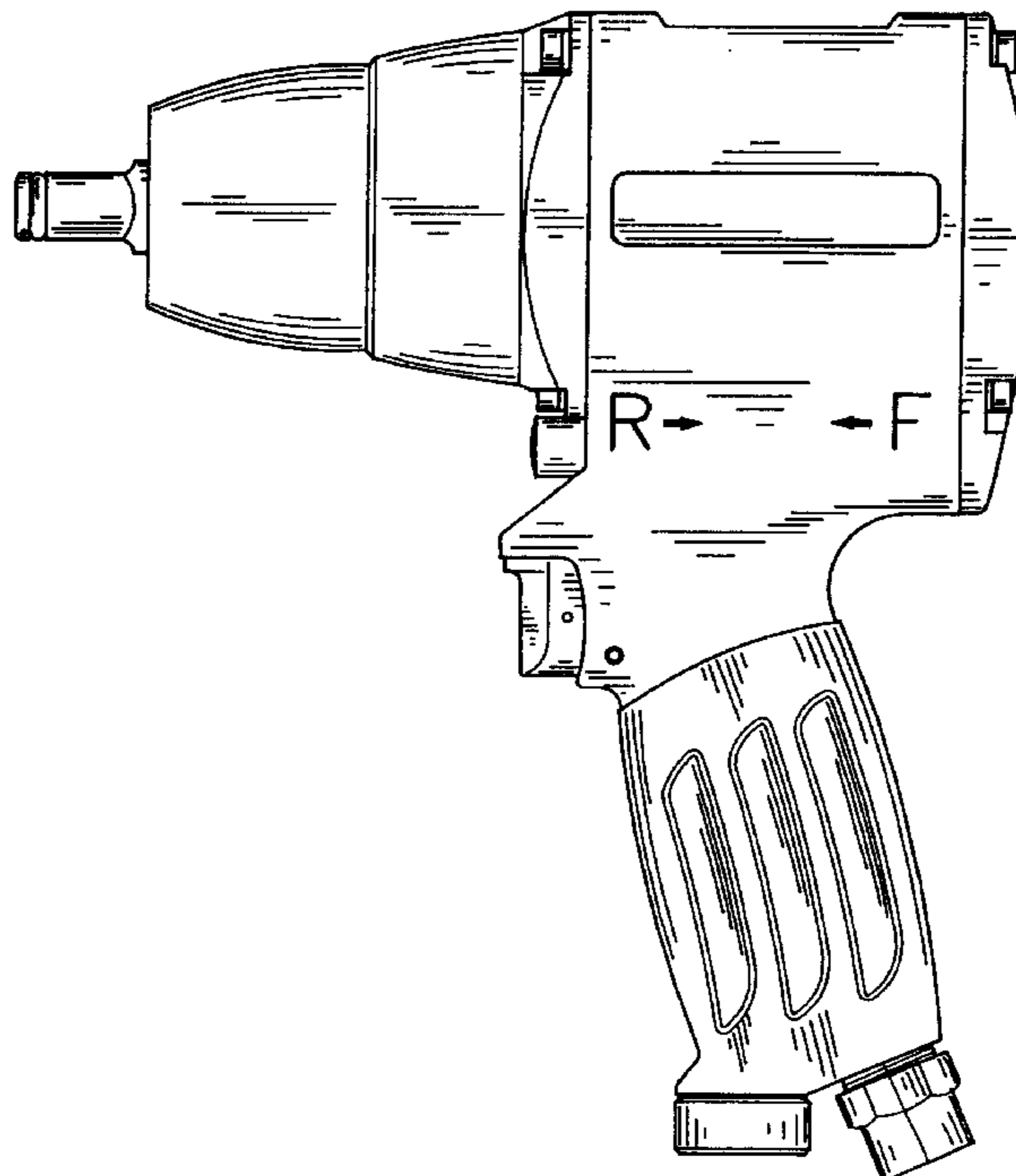
FIG. 3 is a left side elevation view thereof;

FIG. 4 is a rear elevation view thereof;

FIG. 5 is a right side elevation view thereof; and,

FIG. 6 is a bottom plan view thereof.

1 Claim, 2 Drawing Sheets



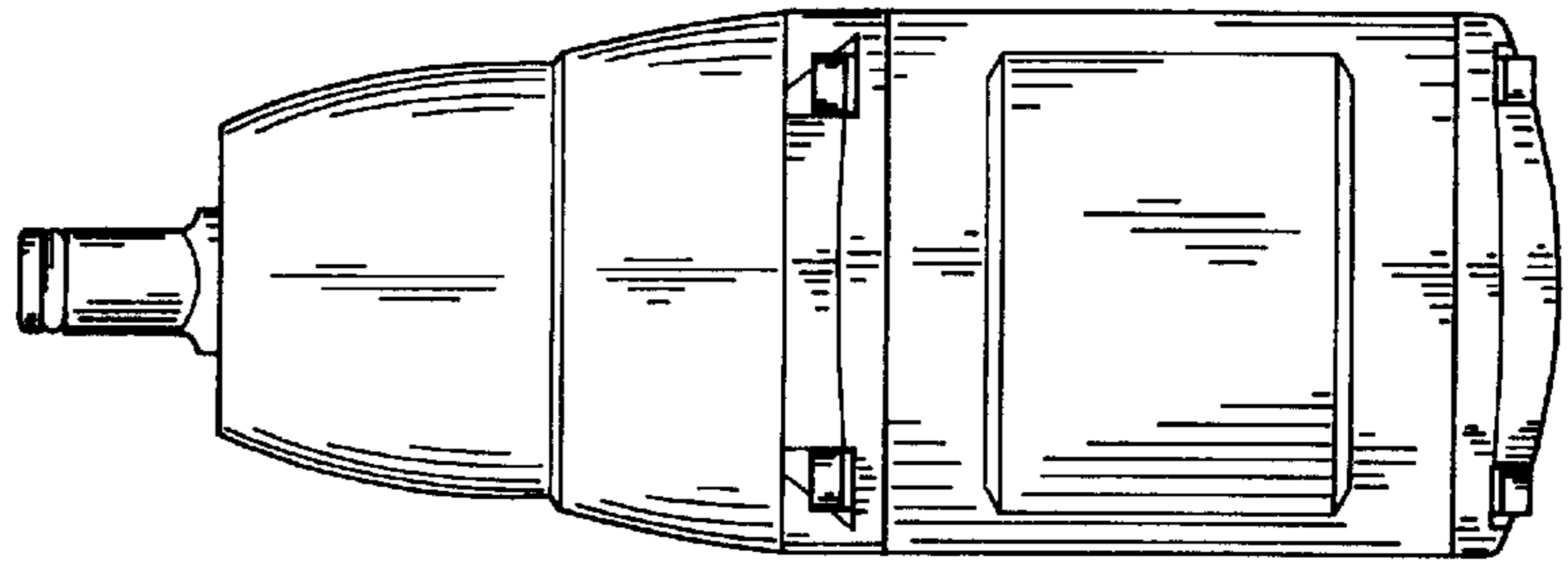


FIG. 1

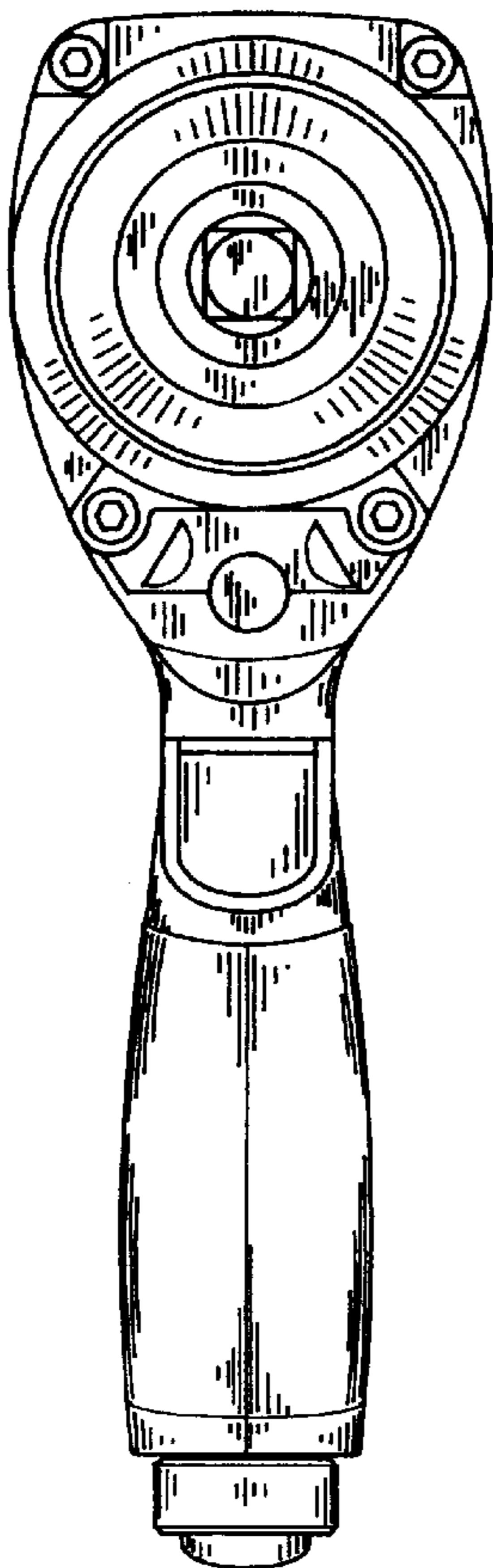


FIG. 2

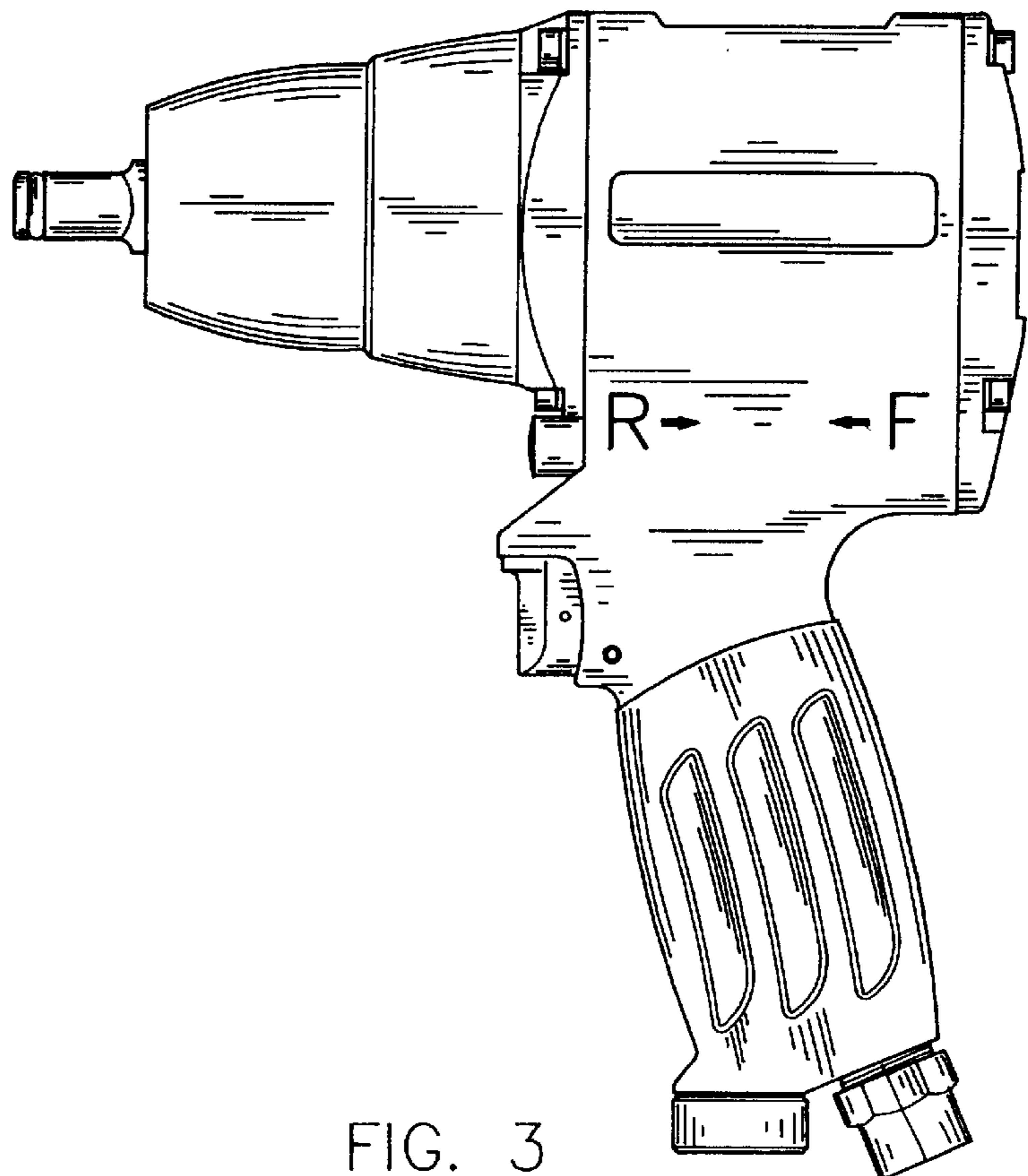


FIG. 3

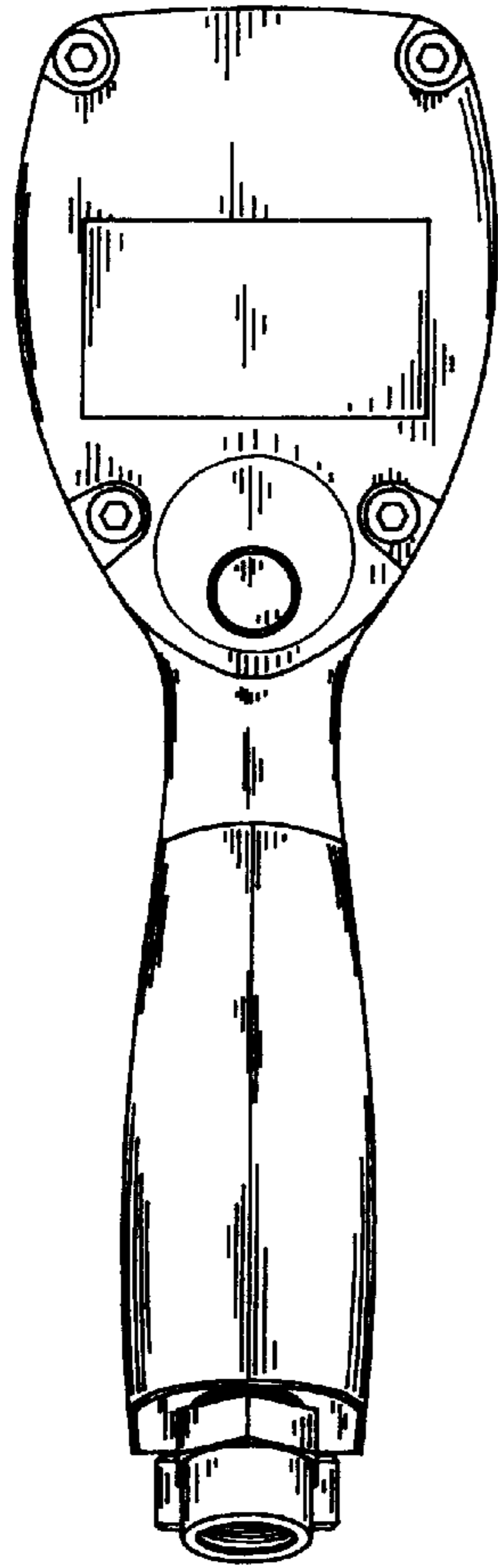


FIG. 4

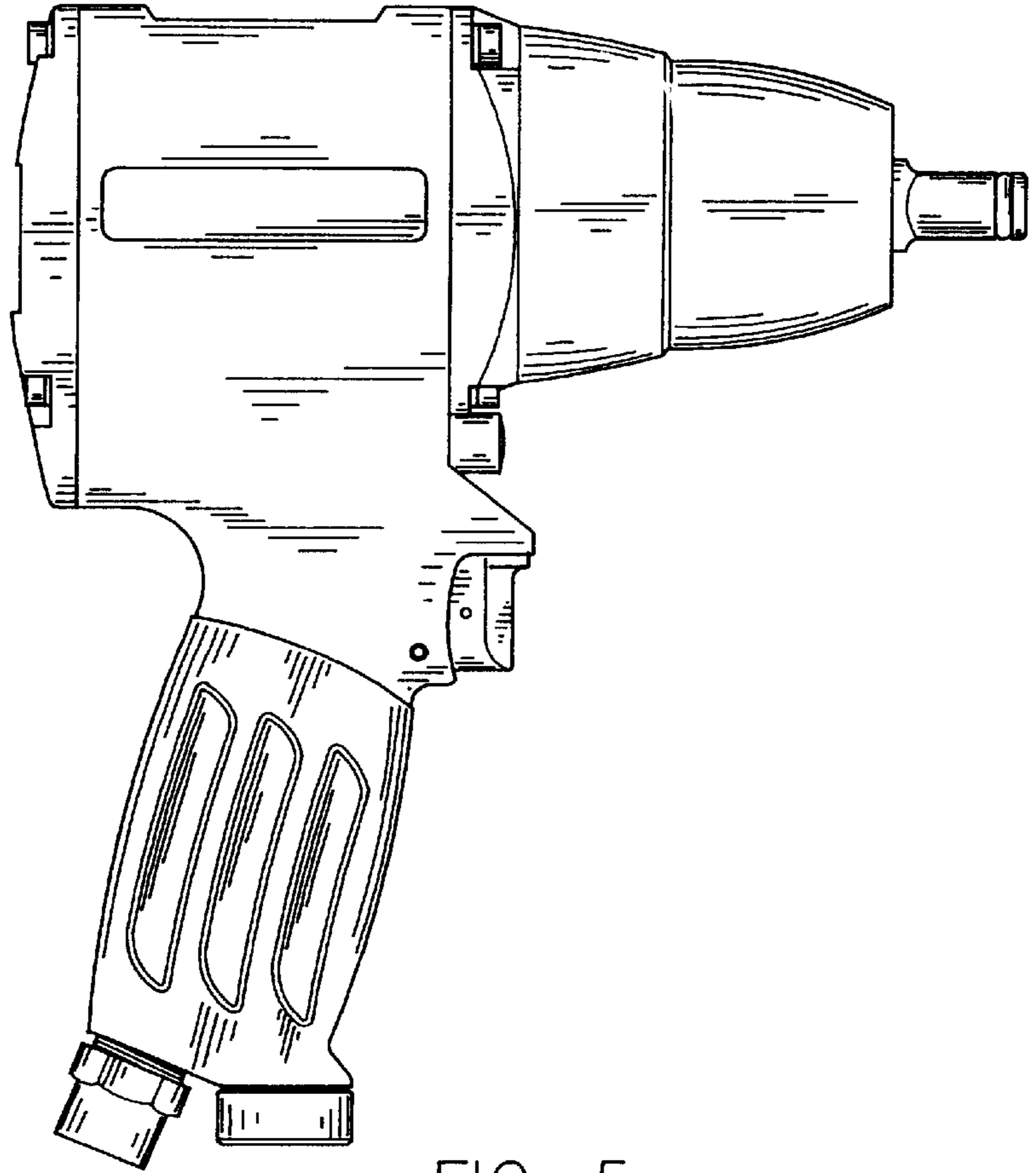


FIG. 5

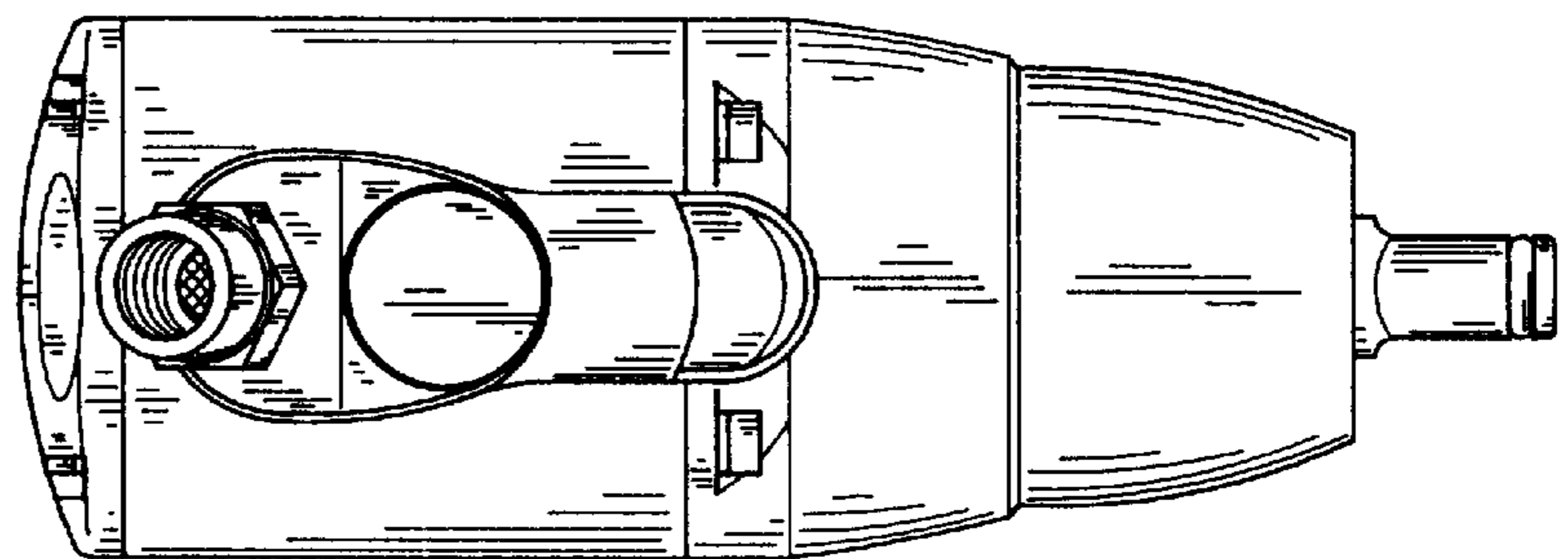


FIG. 6