



US00D467781S

(12) **United States Design Patent**
Kunz et al.

(10) **Patent No.:** **US D467,781 S**

(45) **Date of Patent:** **** Dec. 31, 2002**

(54) **FULL SIZE DRILL HOUSING HAVING
RECESSED KEY AND BIT HOLDER**

(75) Inventors: **Albert F. Kunz**, Arlington Heights, IL (US); **Scott Griswold**, Highland Park, IL (US); **Tadeusz Parafinczuk**, Palatine, IL (US); **Robert Bruno**, Avon, CT (US); **Paul Metaxatos**, West Hartford, CT (US); **Chris Switalski**, Suffield, CT (US)

(73) Assignee: **S-B Power Tool Company**, Chicago, IL (US)

(**) Term: **14 Years**

(21) Appl. No.: **29/153,725**

(22) Filed: **Jan. 11, 2002**

(51) **LOC (7) Cl.** **08-01**

(52) **U.S. Cl.** **D8/68**

(58) **Field of Search** D8/61, 62, 63,
D8/64, 65, 66, 67, 68, 69, 70; 81/57.11,
429, 464, 465, 466, 469, 489; 173/13, 169,
178, 213, 217; 227/8, 114, 120, 130, 136,
142; 310/50; 408/20, 124, 125, 234, 241 R;
451/358

(56) **References Cited**

U.S. PATENT DOCUMENTS

D221,206 S * 7/1971 Yran D8/68
3,699,366 A * 10/1972 Wood 310/50
3,724,237 A * 4/1973 Wood 81/489
D246,946 S * 1/1978 Schultz D8/68

D256,771 S * 9/1980 Kitagawa et al. D8/68
4,730,134 A * 3/1988 Sistare 310/50
5,447,205 A * 9/1995 Thurler 173/217
5,653,294 A * 8/1997 Thurler 81/489
D394,995 S * 6/1998 Cooper D8/68
D403,219 S * 12/1998 Bosten et al. D8/68
5,984,022 A * 11/1999 Harman, Jr. et al. 81/57.11
6,124,652 A * 9/2000 Karasa et al. 310/50

* cited by examiner

Primary Examiner—Doris V. Coles

Assistant Examiner—T. Chase Nelson

(74) *Attorney, Agent, or Firm*—Greer, Burns & Crain, Ltd.

(57) **CLAIM**

The ornamental design for an full size drill housing having recessed key and bit holder, as shown and described.

DESCRIPTION

FIG. 1 is a front perspective view of the present new design for a full size drill housing having recessed key and bit holder;

FIG. 2 is a rear perspective view thereof;

FIG. 3 is a right side view thereof;

FIG. 4 is a left side view thereof;

FIG. 5 is a front view thereof;

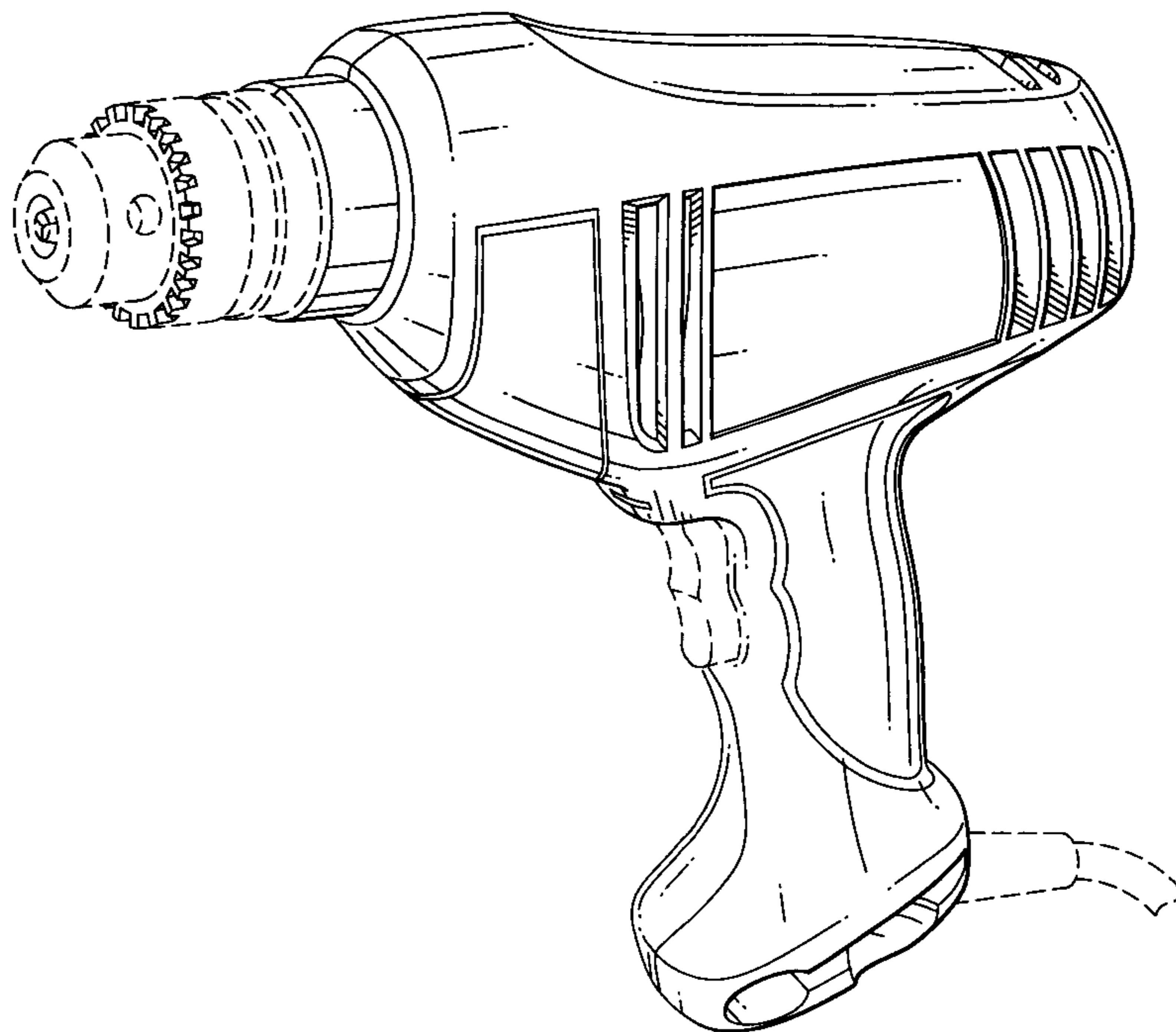
FIG. 6 is a back view thereof;

FIG. 7 is a top plan view thereof; and,

FIG. 8 is a bottom plan view of the present new design for a full size drill housing having recessed key and bit holder.

The broken lines showing the cord, the trigger and the chuck are for illustrative purposes only and form no part of the claimed design.

1 Claim, 6 Drawing Sheets



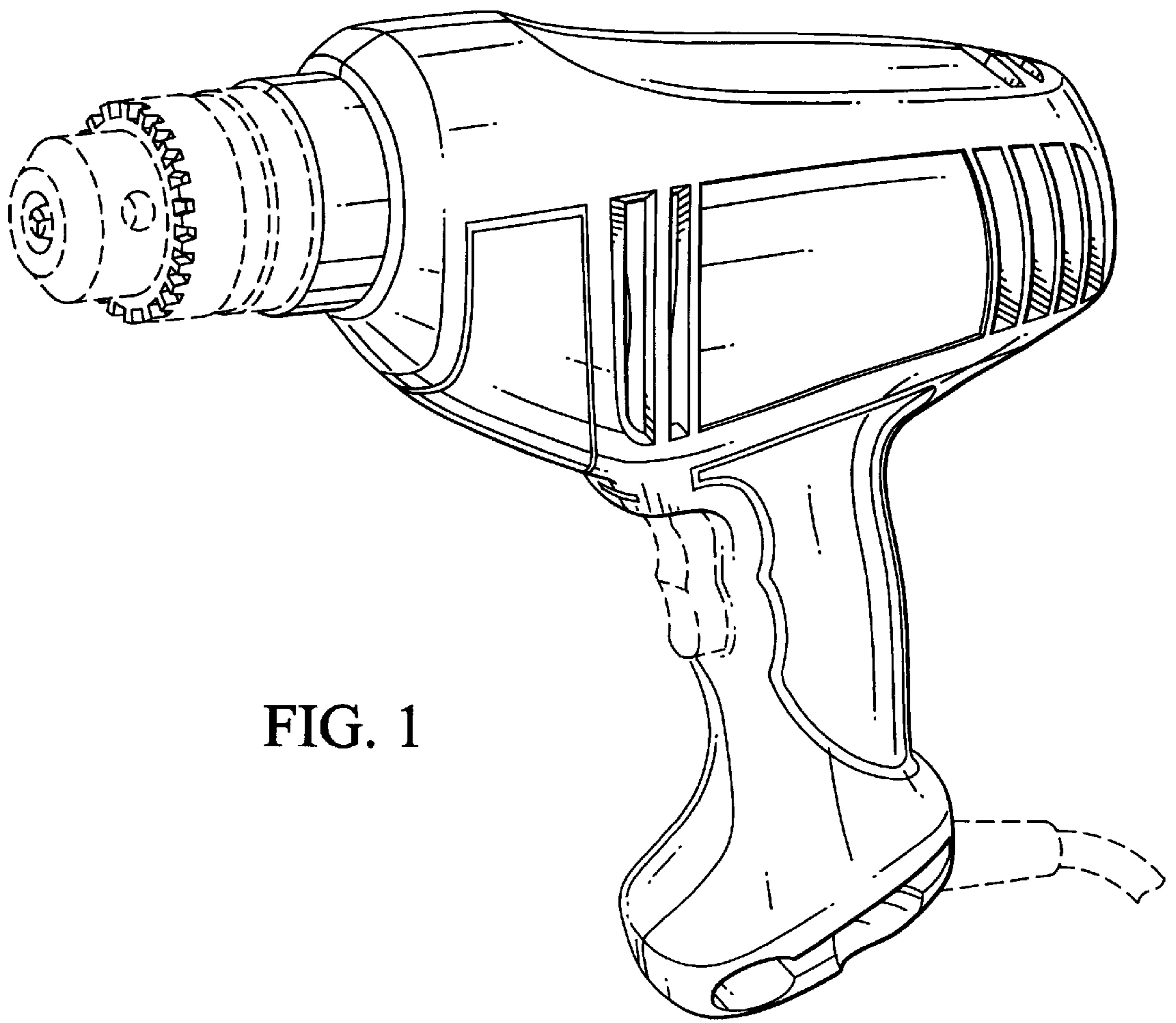


FIG. 1

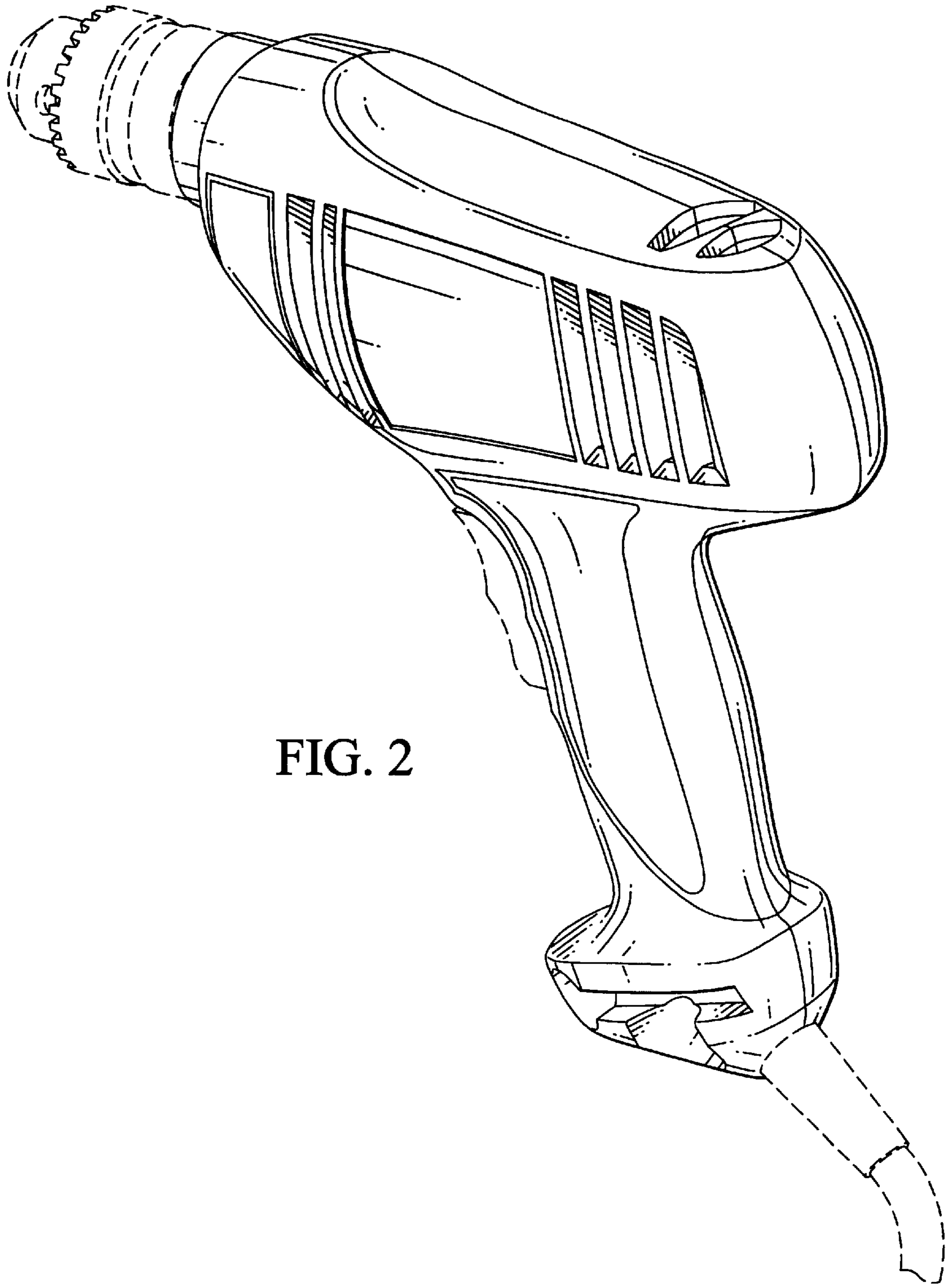


FIG. 2

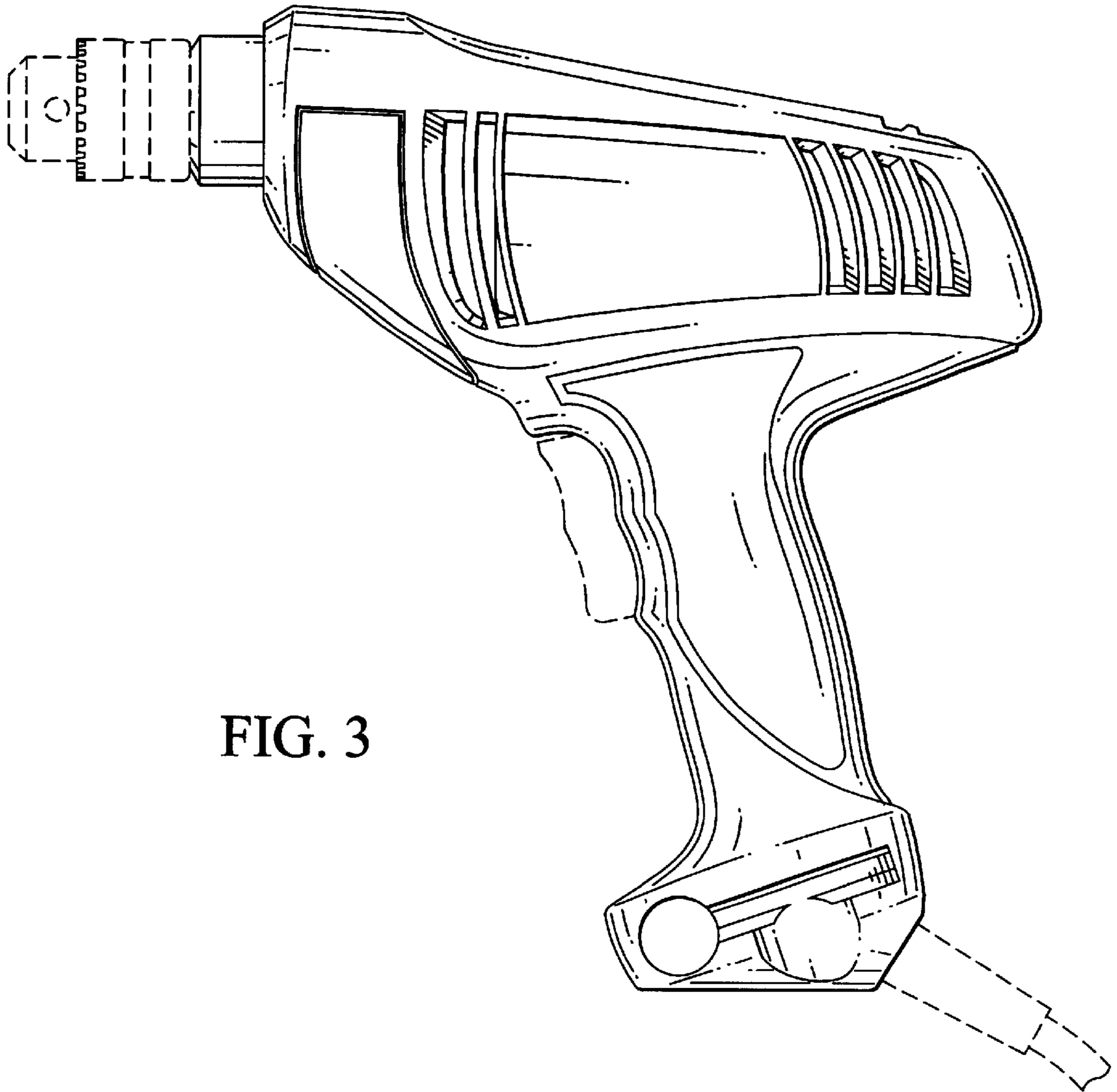


FIG. 3

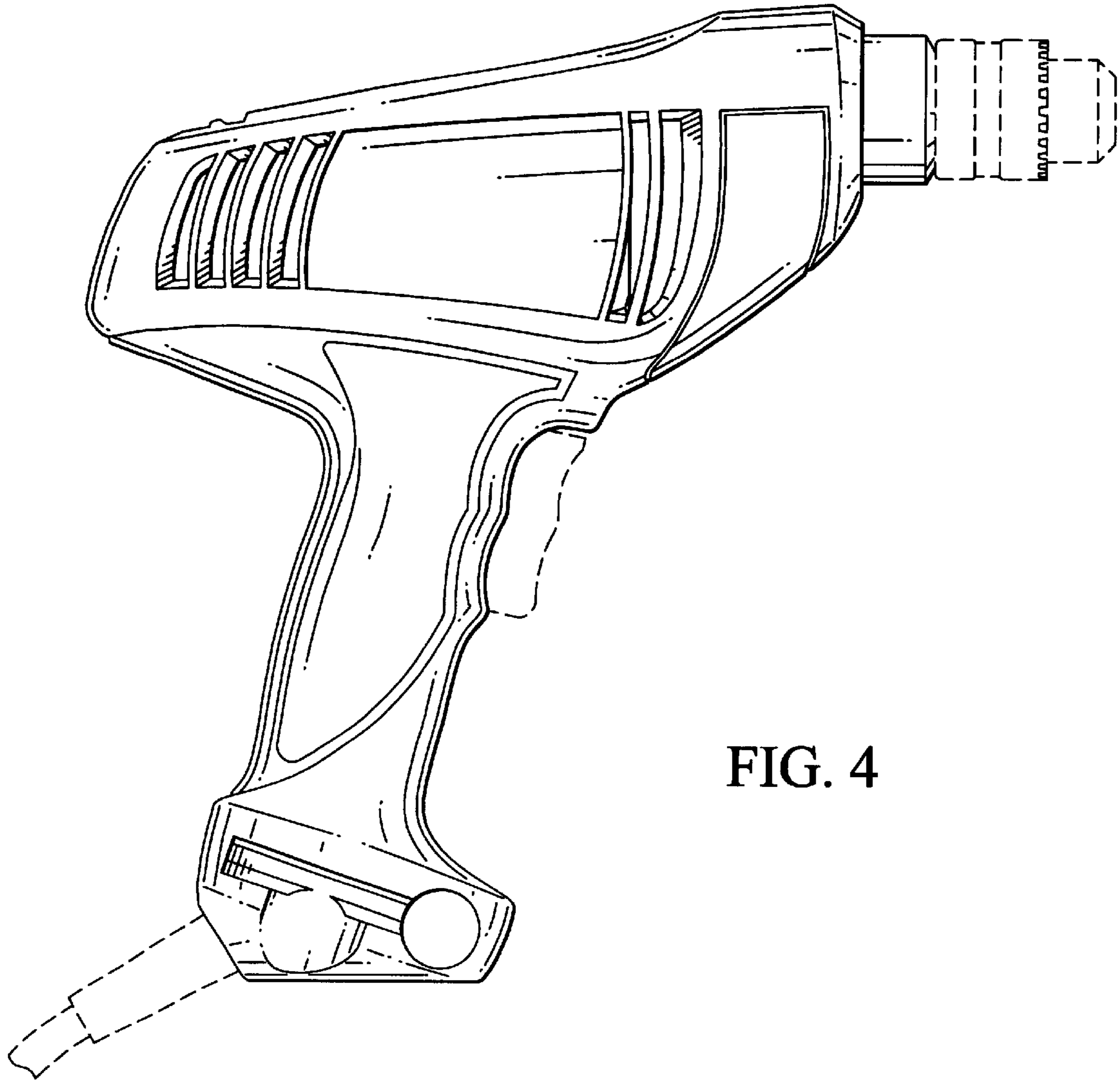


FIG. 4

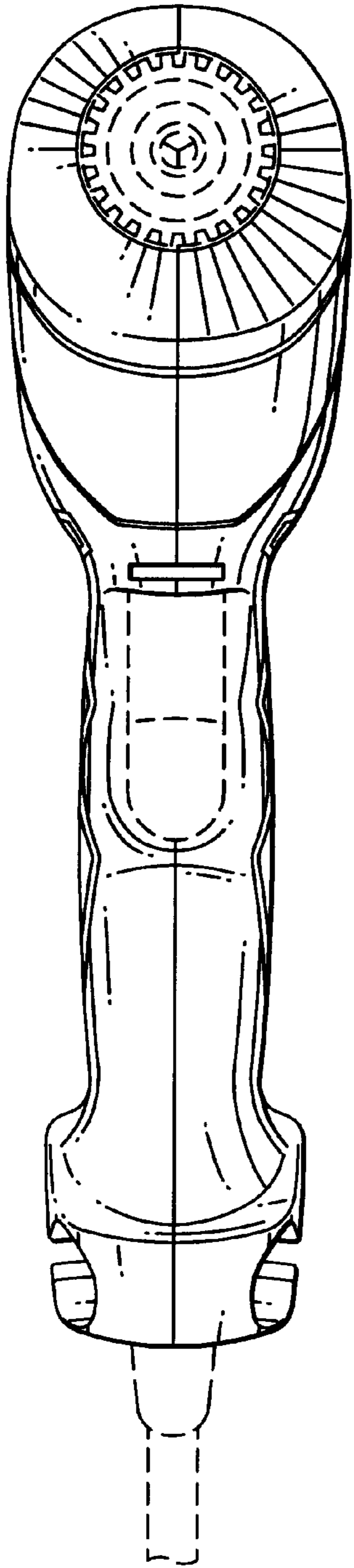


FIG. 5

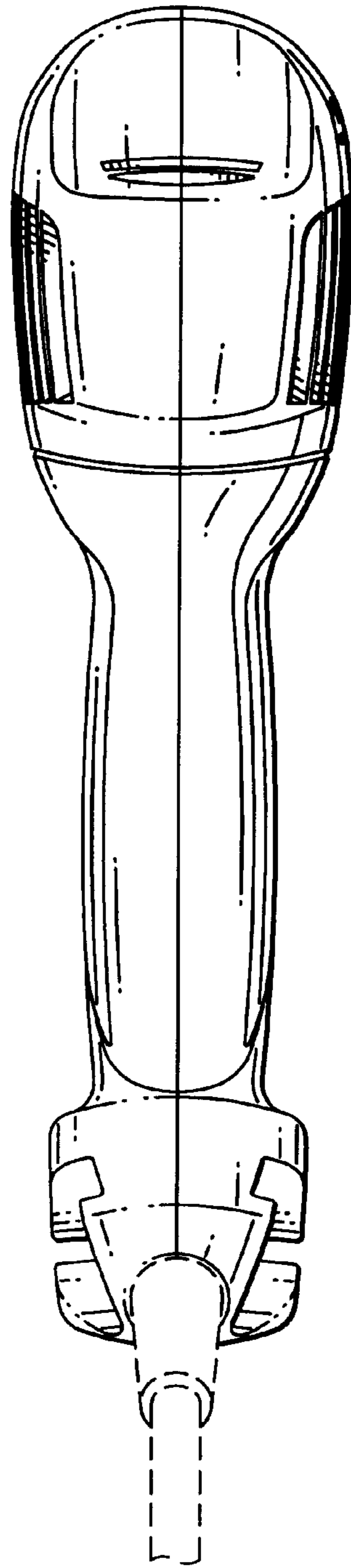


FIG. 6

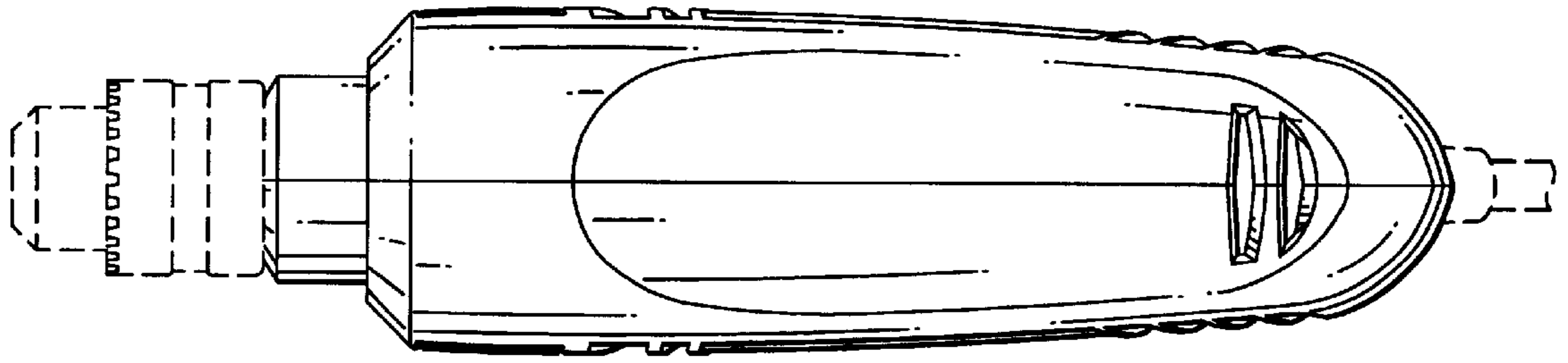


FIG. 7

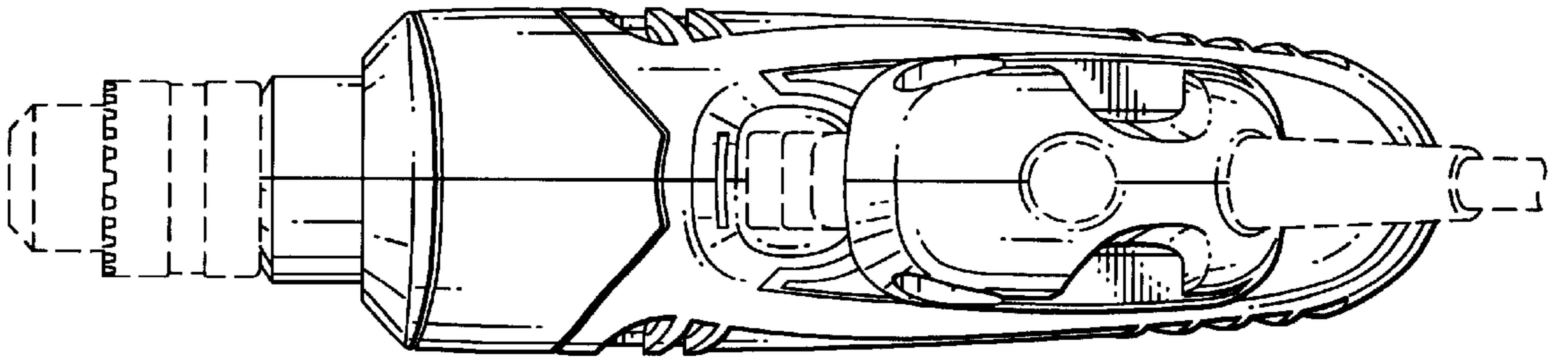


FIG. 8