



US00D467780S

(12) **United States Design Patent**
Koizumi

(10) **Patent No.:** **US D467,780 S**

(45) **Date of Patent:** **** Dec. 31, 2002**

(54) **PORTABLE IMPACT WRENCH**
(75) Inventor: **Tadahiko Koizumi**, Nagano (JP)
(73) Assignee: **K. K. Izumi Seiki Seisakusho**, Nagano (JP)
(**) Term: **14 Years**

D240,498 S * 7/1976 Foltz D8/61
D262,489 S * 12/1981 House, II D8/64
D262,823 S * 1/1982 House, II D8/61
D327,617 S * 7/1992 Fisher D8/61
D364,463 S * 11/1995 Pitzen et al. D8/68
D444,365 S * 7/2001 Bass et al. D8/68
6,296,427 B1 * 10/2001 Potter et al. 173/217

* cited by examiner

(21) Appl. No.: **29/140,982**
(22) Filed: **Apr. 30, 2001**
(30) **Foreign Application Priority Data**

Apr. 11, 2001 (JP) 2001-010521

(51) **LOC (7) Cl.** **08-05**
(52) **U.S. Cl.** **D8/68**
(58) **Field of Search** D8/61, 62, 63,

D8/64, 65, 66, 67, 68, 69, 70, 107; 29/243.525;
74/371; 81/52, 54, 55, 57, 57.11, 57.13,
57.14, 57.42, 57.43, 177.1, 177.4, 177.6,
177.85, 409, 429, 436, 463, 464, 466, 474,
900, 901, DIG. 12; 173/13, 15, 47, 48,
90, 91, 92, 93, 93.5, 93.6, 109, 112, 122,
164, 169, 170, 171, 176, 213, 216, 217;
227/51, 81, 138; 279/9.1, 19.3, 62, 137,
142, 147, 149, 158; 310/50; 320/114; 408/20,
120, 122, 124, 125, 234, 241 R, 241 S;
451/344, 354, 357, 358, 359, 456

(56) **References Cited**

U.S. PATENT DOCUMENTS

2,155,082 A * 4/1939 Decker 408/124

Primary Examiner—Stacia Cadmus
Assistant Examiner—T. Chase Nelson
(74) *Attorney, Agent, or Firm*—Birch, Stewart, Kolasch & Birch, LLP

(57) **CLAIM**

The ornamental design for a portable impact wrench, as shown and described.

DESCRIPTION

FIG. 1 is a front elevational view of a portable impact wrench showing my new design;
FIG. 2 is a top plan view thereof;
FIG. 3 is a rear elevational view of thereof
FIG. 4 is a bottom plan view thereof;
FIG. 5 is a right side elevational view thereof;
FIG. 6 is a left side elevational view thereof; and,
FIG. 7 is a reference right side elevational view showing a example of use.

The broken lines in FIG. 7 showing a detachable element are for illustrative purposes only and form no part of the claimed design.

1 Claim, 3 Drawing Sheets

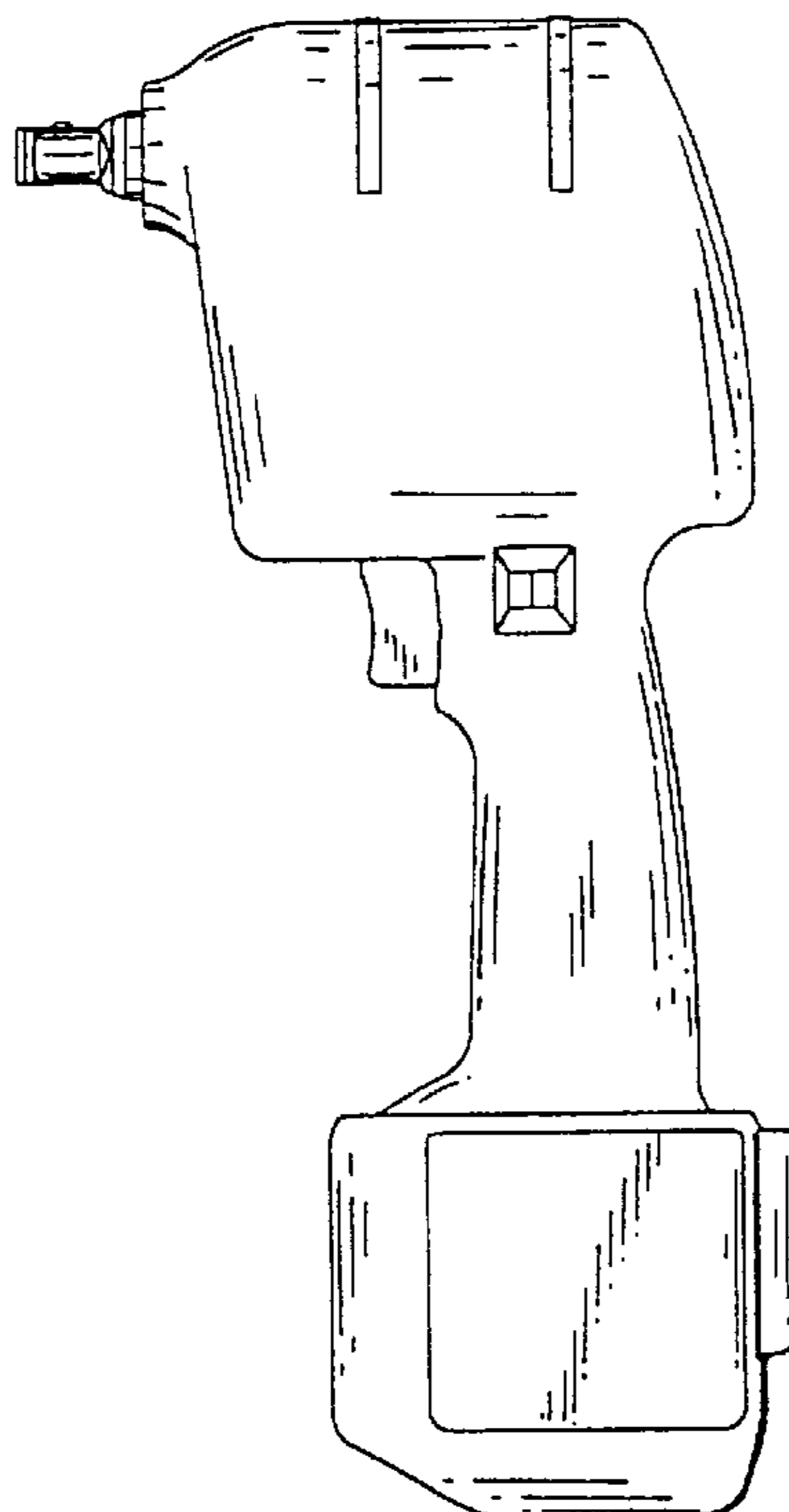


FIG.1

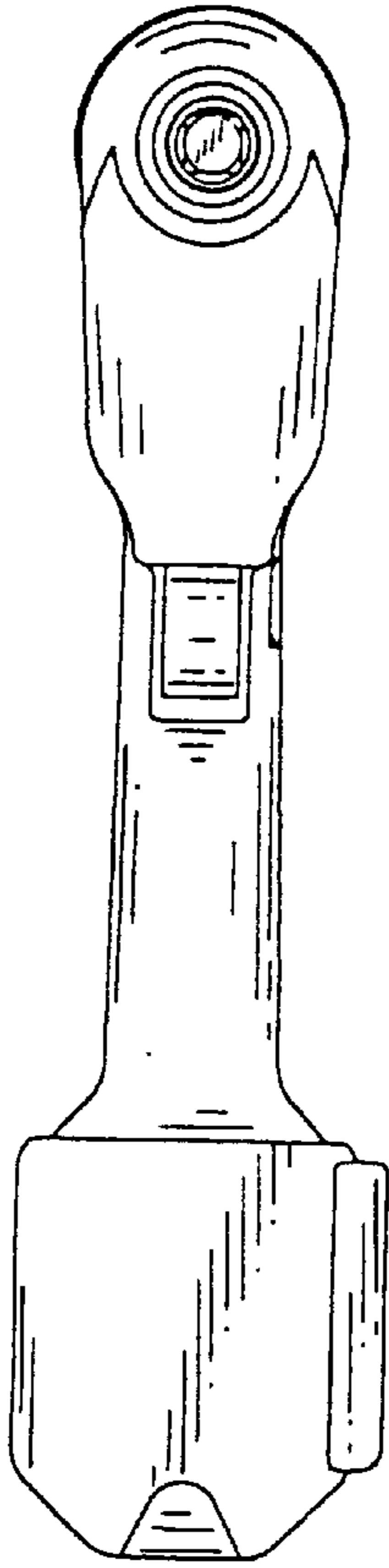


FIG.2

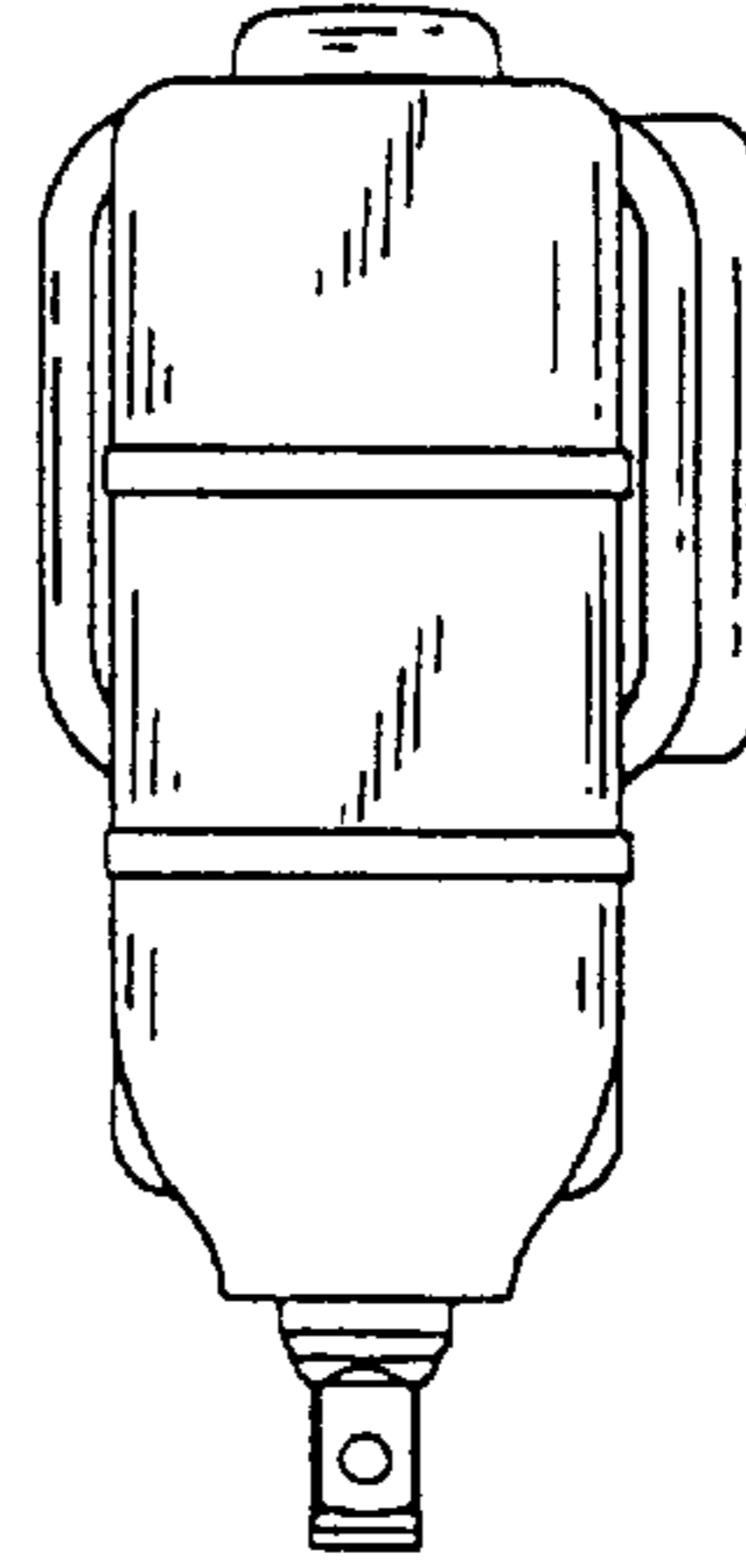


FIG.3

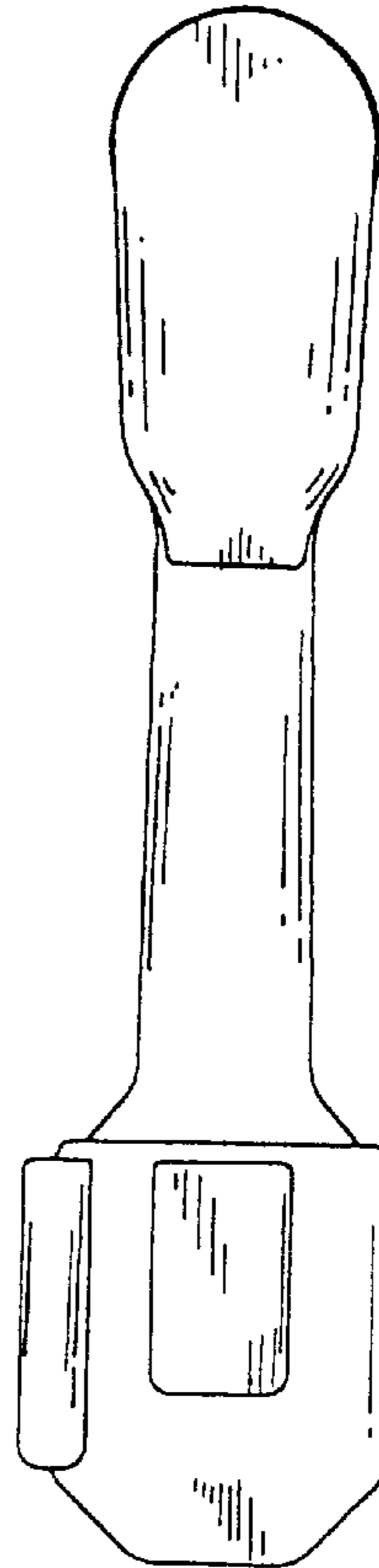


FIG.4

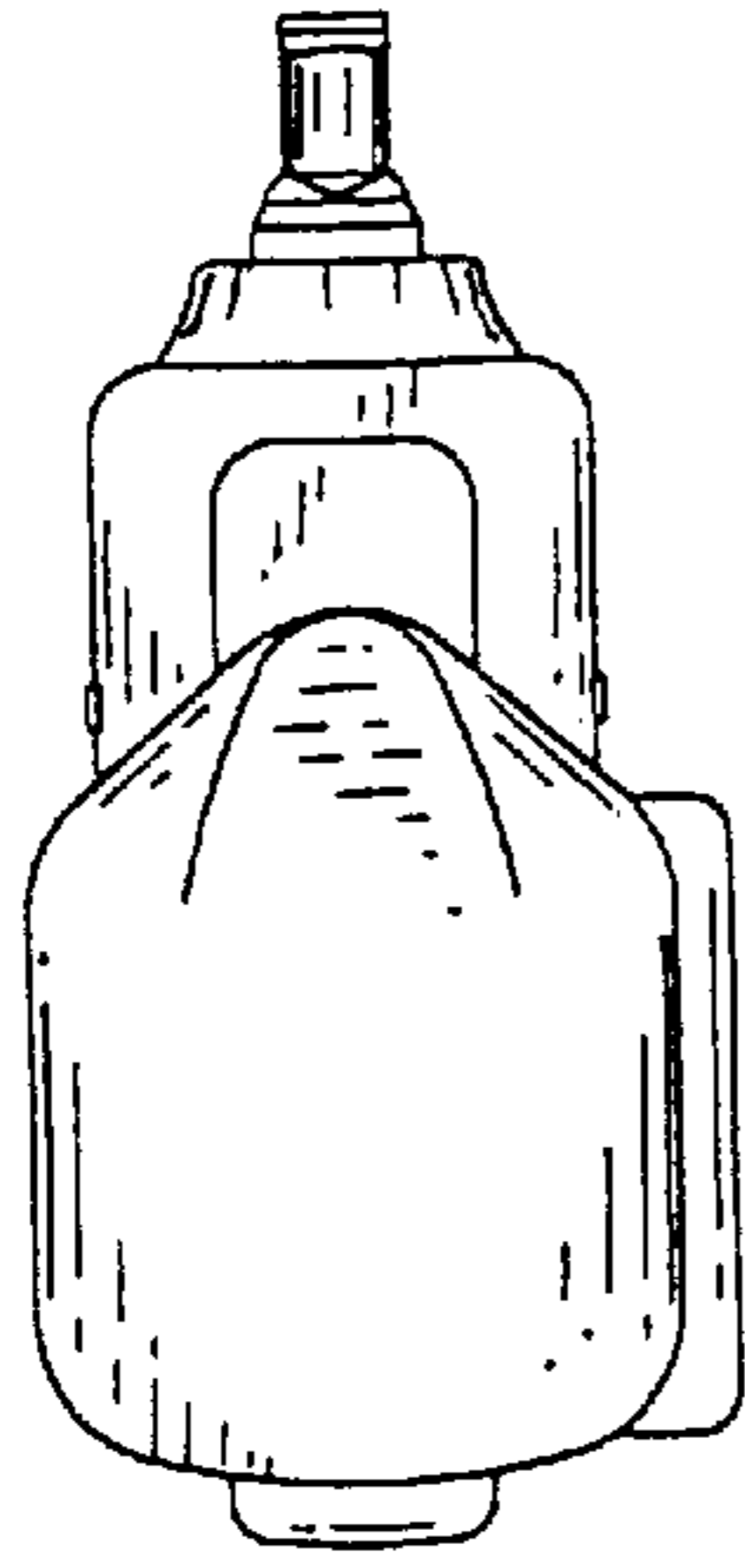


FIG.5

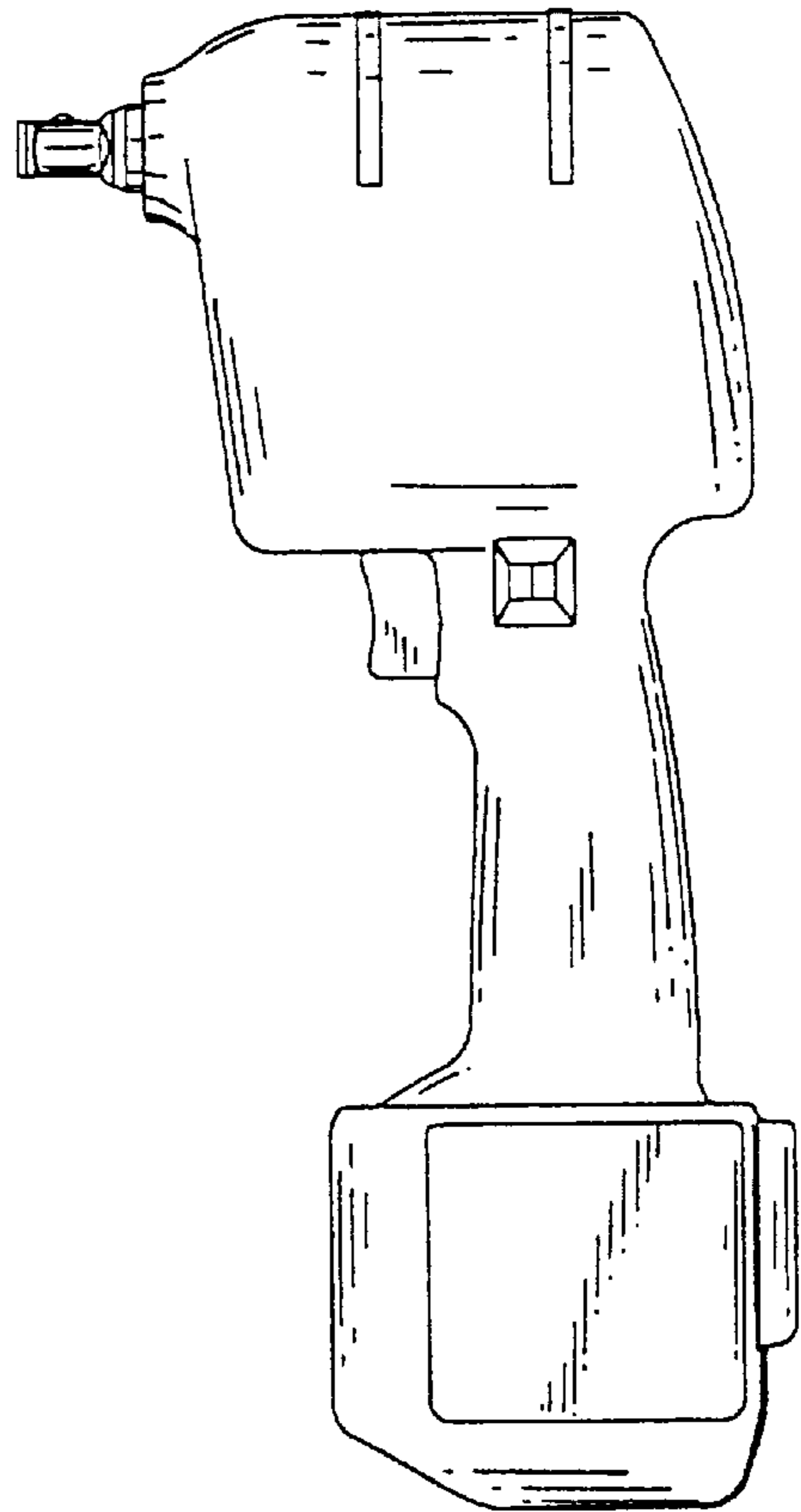


FIG.6

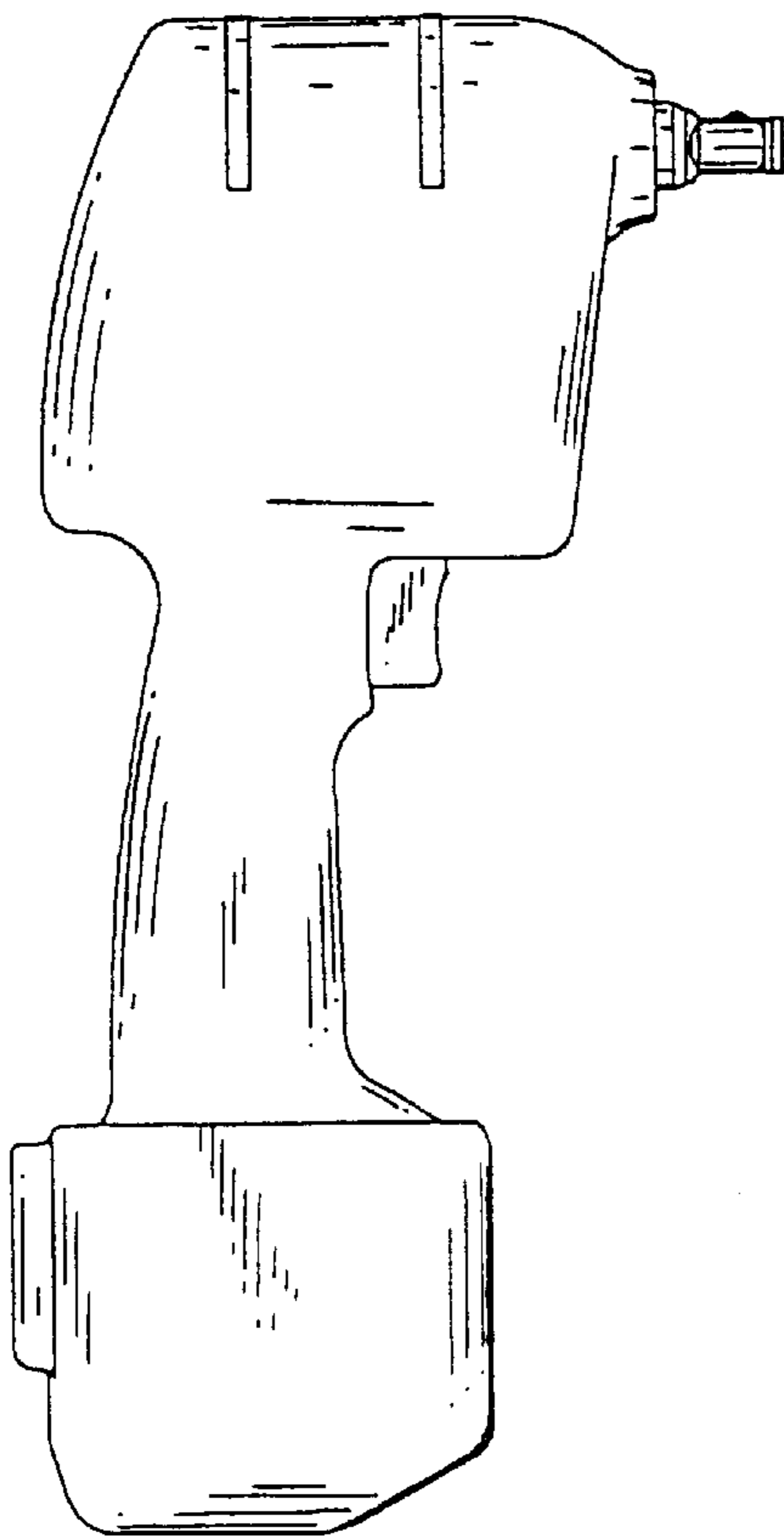


FIG.7

