



US00D467779S

(12) **United States Design Patent**
Chen

(10) **Patent No.:** **US D467,779 S**

(45) **Date of Patent:** **** Dec. 31, 2002**

(54) **ELASTIC CLIP GUN**

6,318,619 B1 * 11/2001 Lee 227/134

(76) Inventor: **Yueh-Shiou Chen**, P.O. Box 90, Tainan City (TW)

* cited by examiner

(**) Term: **14 Years**

Primary Examiner—Alan P. Douglas
Assistant Examiner—Clare E. Heflin

(21) Appl. No.: **29/151,990**

(57) **CLAIM**

(22) Filed: **Dec. 17, 2001**

The ornamental design for an elastic clip gun, as shown as described.

(51) **LOC (7) Cl.** **08-05**

DESCRIPTION

(52) **U.S. Cl.** **D8/51**

(58) **Field of Search** D8/51, 14; 29/243.56, 29/426.6; 221/279, 280; 81/486, 488

FIG. 1 is a perspective view of an elastic clip gun showing my design;

FIG. 2 is a front elevational view thereof;

FIG. 3 is a rear elevational view thereof;

FIG. 4 is a left side elevational view thereof;

FIG. 5 is a right side elevational view thereof;

FIG. 6 is a top plan view thereof; and,

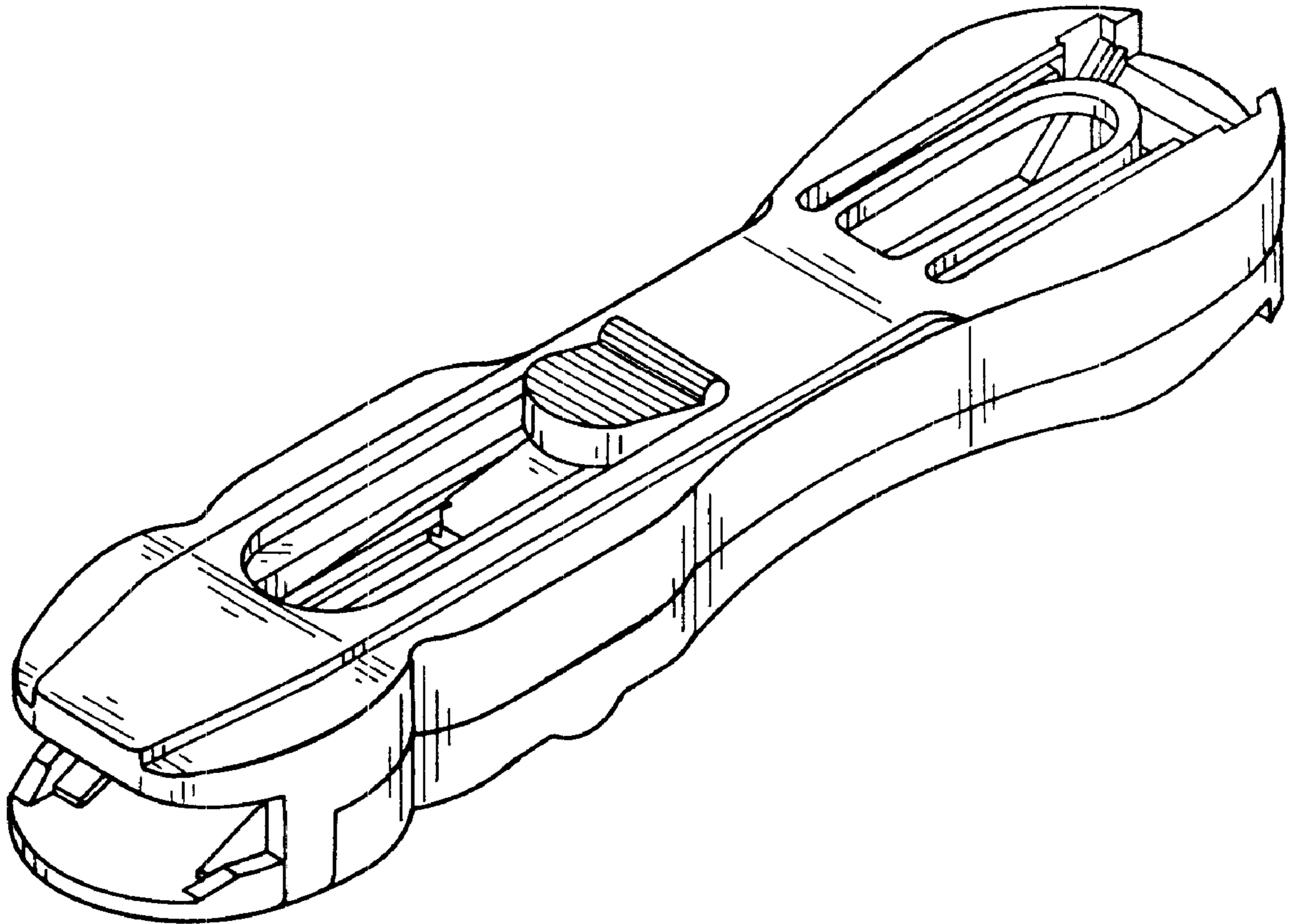
FIG. 7 is a bottom plan view thereof.

(56) **References Cited**

U.S. PATENT DOCUMENTS

4,353,157 A	*	10/1982	Sato	29/243.56
4,791,707 A	*	12/1988	Tucker	227/19
5,119,553 A	*	6/1992	Sato	29/243.56
5,136,768 A	*	8/1992	Sato	29/243.56
D341,287 S	*	11/1993	Tseng	D8/51

1 Claim, 4 Drawing Sheets



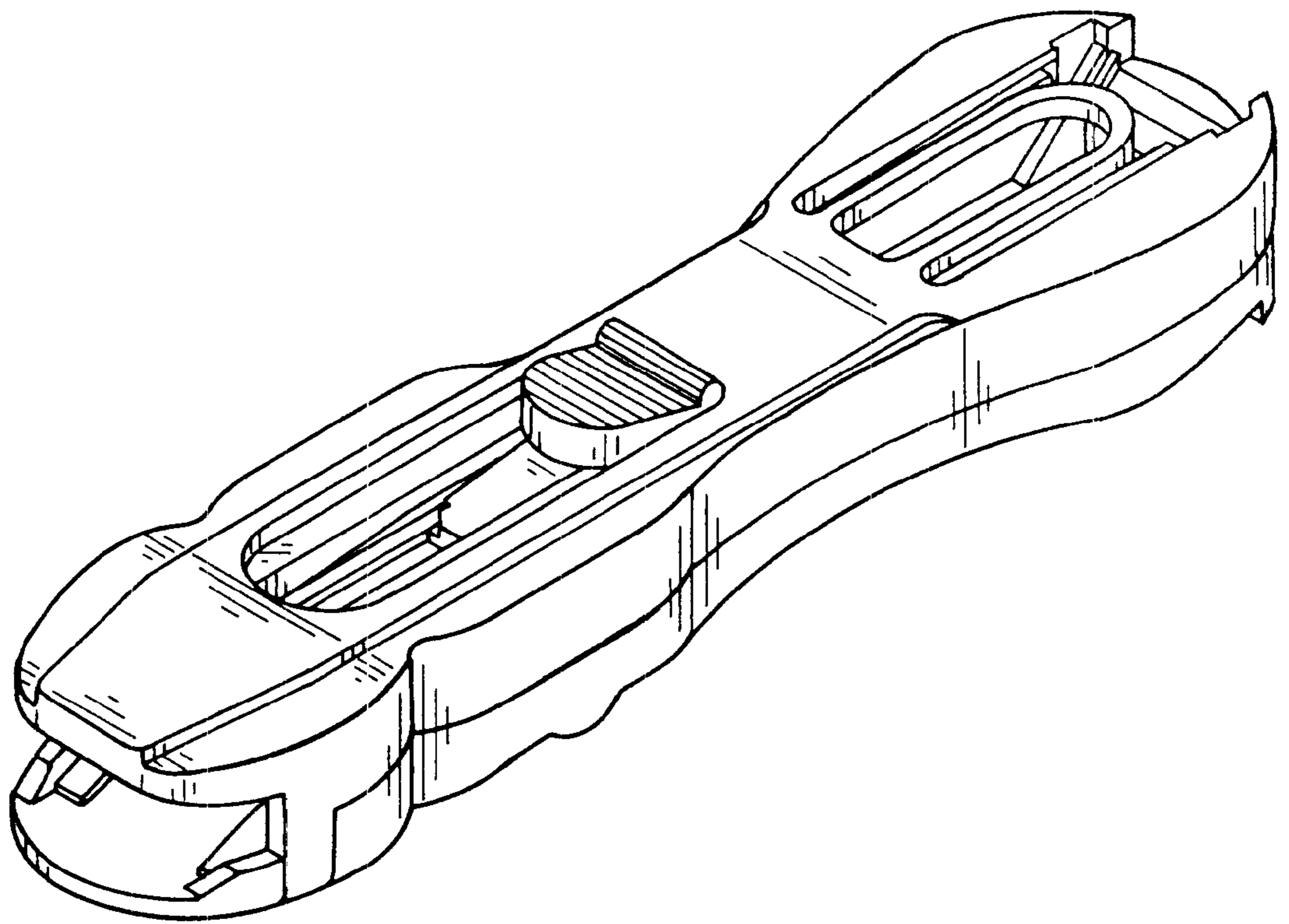


FIG. 1

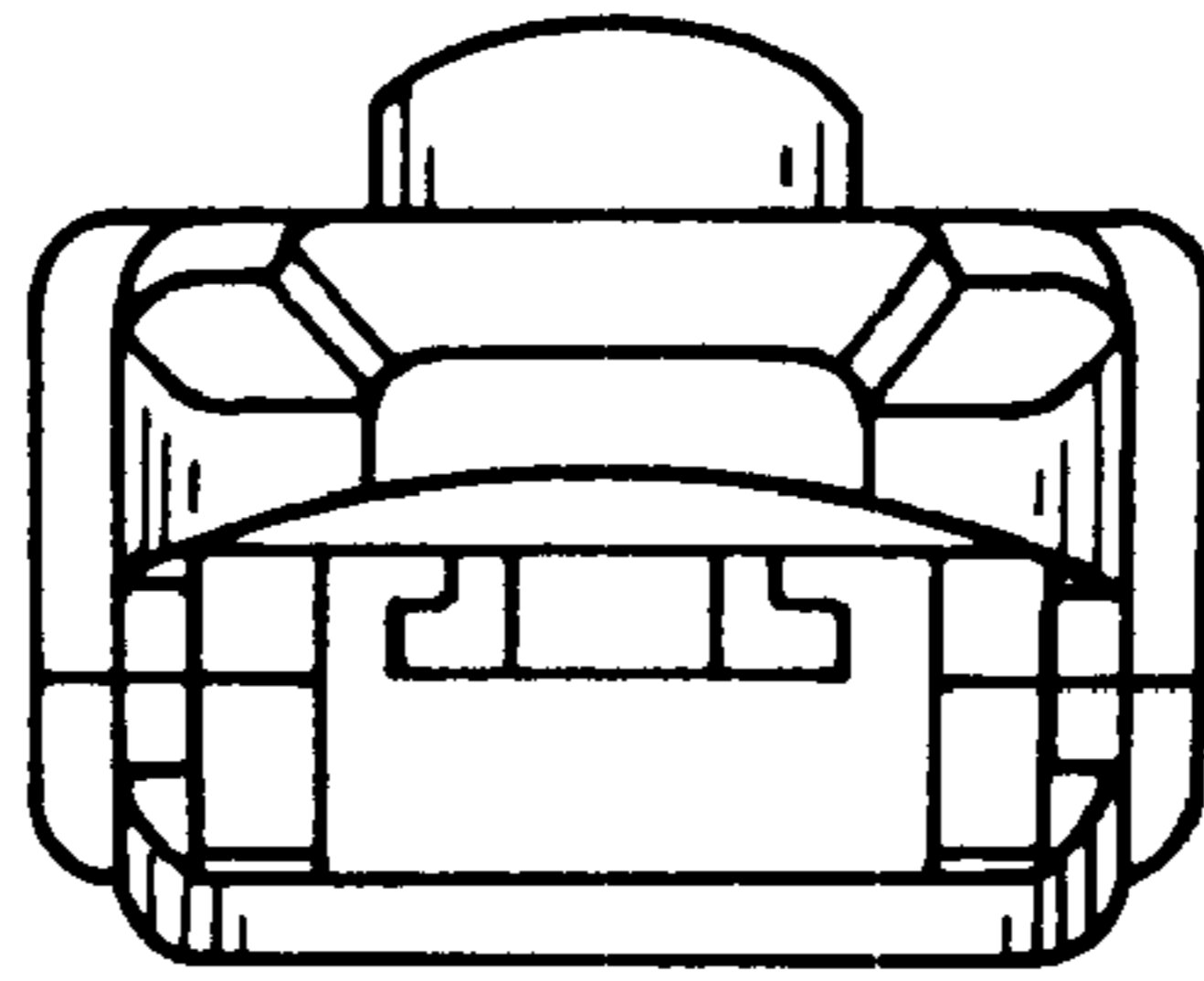


FIG. 2

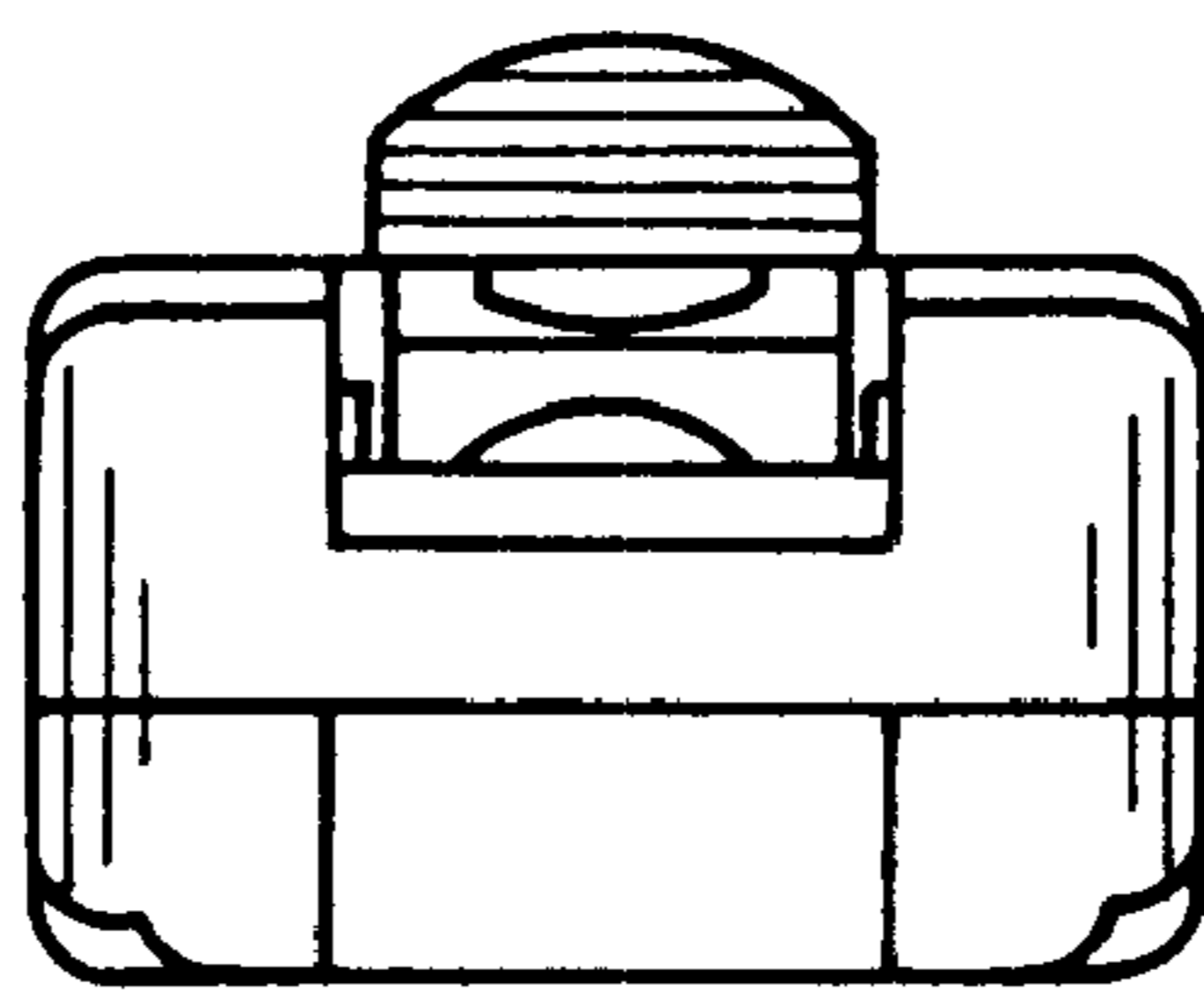


FIG. 3

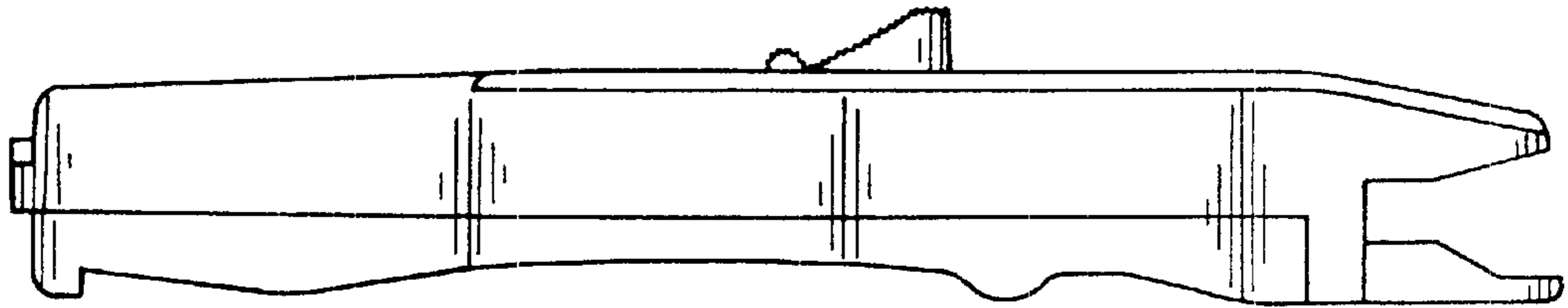


FIG. 4

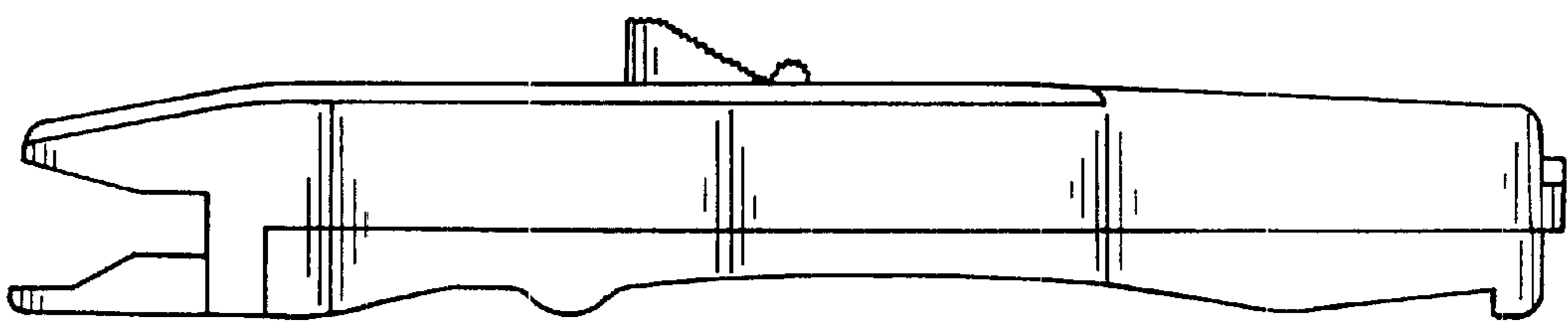


FIG. 5

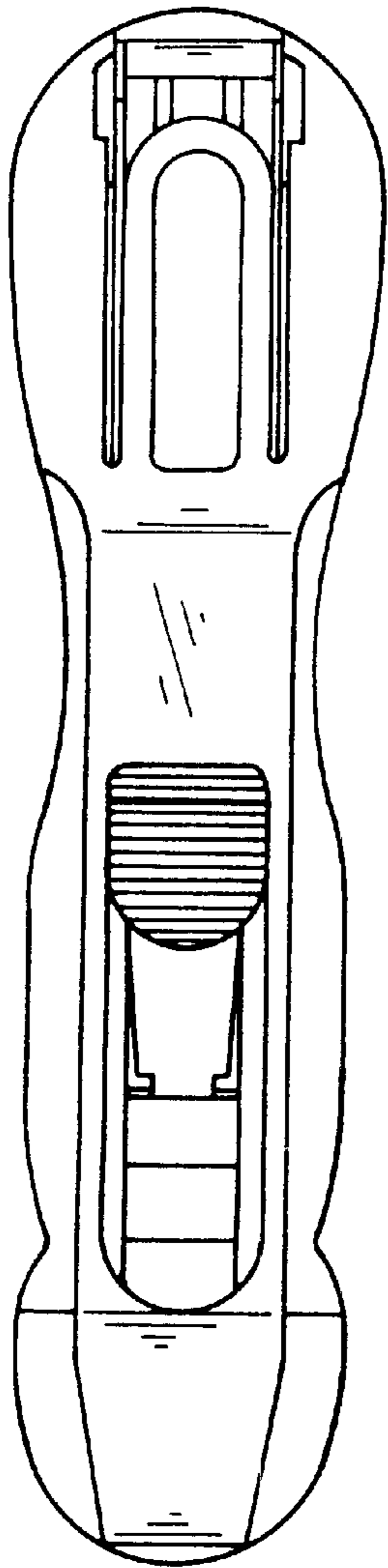


FIG. 6

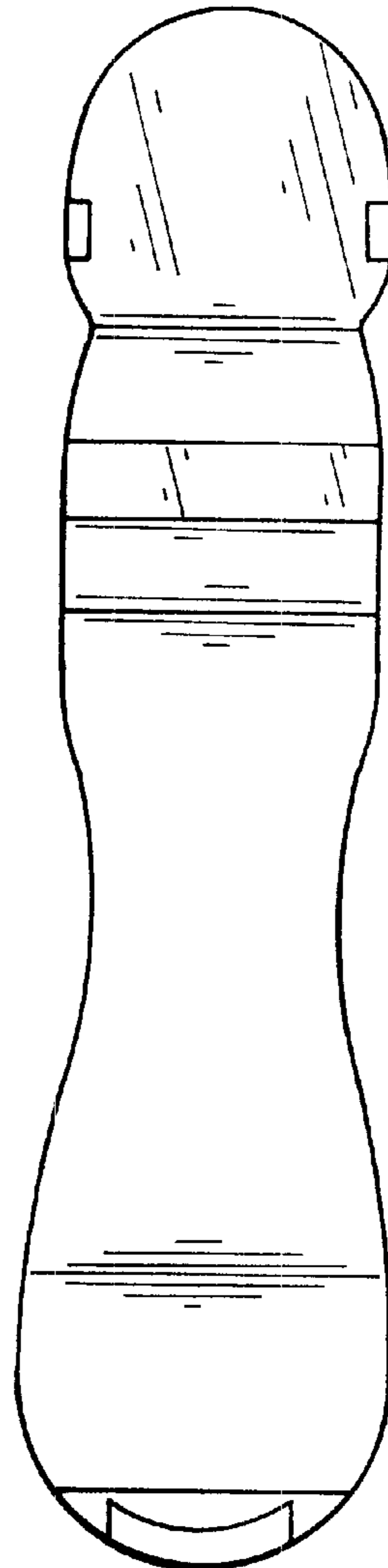


FIG. 7