



US00D46777S

(12) **United States Design Patent**
Van Horn et al.

(10) **Patent No.: US D467,777 S**

(45) **Date of Patent: ** Dec. 31, 2002**

(54) **WRENCH**

(75) Inventors: **Walter Van Horn**, Lancaster, CA (US);
Laurence McGann, Woodland Hills,
CA (US); **Jim Scott**, Tucson, AZ (US);
Maurice Henrie, Bakersfield, CA (US)

(73) Assignee: **Salter Labs**, Arvin, CA (US)

(**) Term: **14 Years**

(21) Appl. No.: **29/130,529**

(22) Filed: **Oct. 2, 2000**

(51) **LOC (7) Cl.** **08-05**

(52) **U.S. Cl.** **D8/27; D8/21**

(58) **Field of Search** D8/17-29; 81/124.4,
81/124.3, 125.1, 124.2; 7/138, 166

(56) **References Cited**

U.S. PATENT DOCUMENTS

2,628,522	A	*	2/1953	Kraft	81/124.3
2,716,367	A	*	8/1955	Montgomery	81/124.3
D304,668	S	*	11/1989	Strock	D8/27
5,857,390	A	*	1/1999	Whiteford	81/124.3
5,950,654	A	*	9/1999	Paylor	81/124.2

* cited by examiner

Primary Examiner—Raphael Barkai

(74) *Attorney, Agent, or Firm*—Davis & Bujold, P.L.L.C.

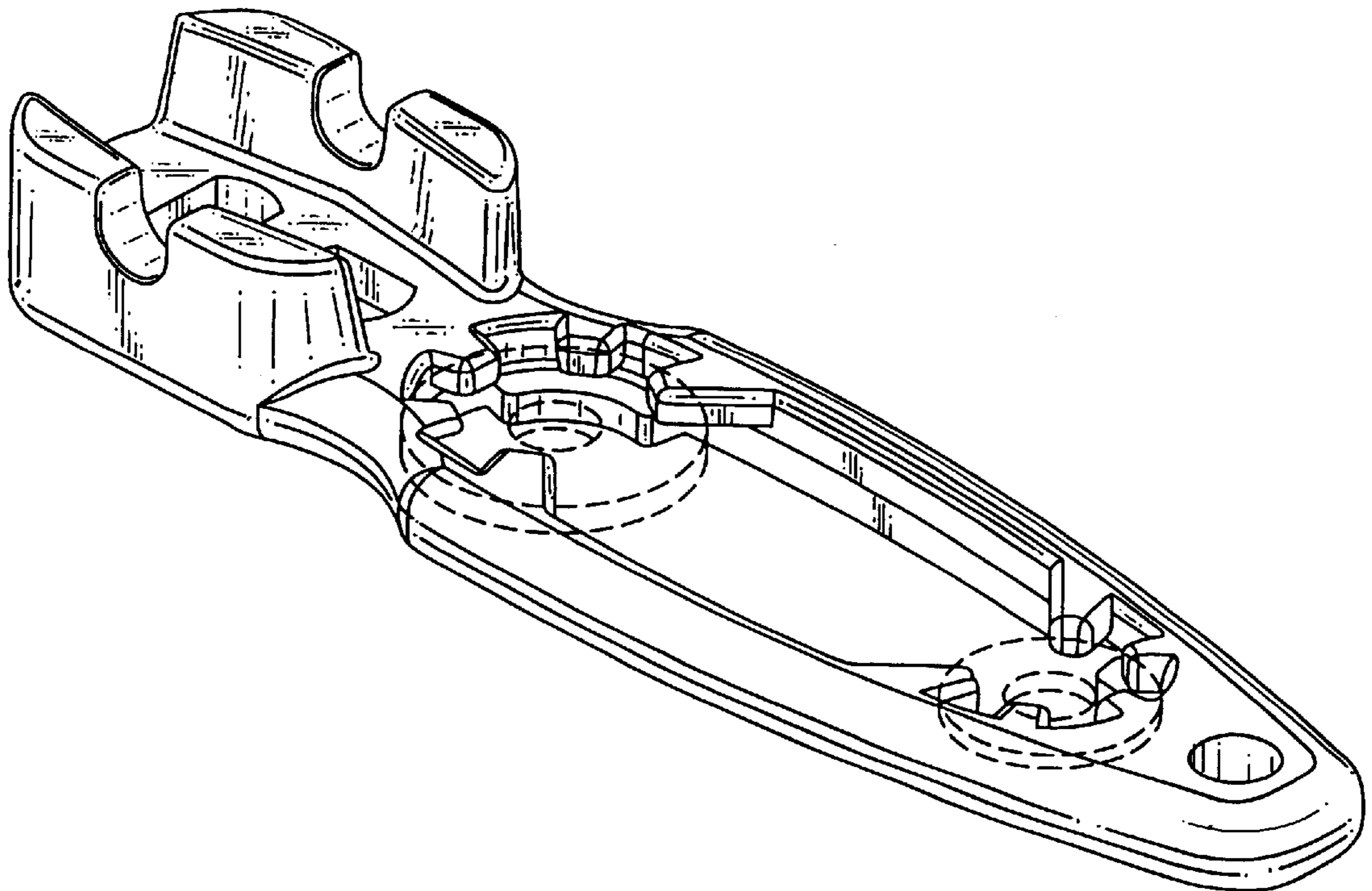
(57) **CLAIM**

We claim the ornamental design for a wrench, as shown and described.

DESCRIPTION

FIG. 1 is a top view of a wrench embodying our new design;
 FIG. 2 is an under view thereof;
 FIG. 3 is a left elevational view thereof;
 FIG. 4 is a right elevational view thereof;
 FIG. 5 is a end elevational view looking to the left of FIG. 1;
 FIG. 6 is an end elevational view opposed to FIG. 5;
 FIG. 7 is a perspective view showing the top, left and end elevational as shown in FIG. 6;
 FIG. 8 is a perspective view showing the top, right elevational view and end elevational view as shown in FIG. 6 with optional washers supported thereby; and,
 FIG. 9 is a perspective view showing the under view, left elevational view and end elevational view as shown in FIG. 6 with optional washers supported thereby.
 The broken lines shown in FIGS. 1, 2 and 7 are for illustrative purposes only and form no part of the claimed design.

1 Claim, 3 Drawing Sheets



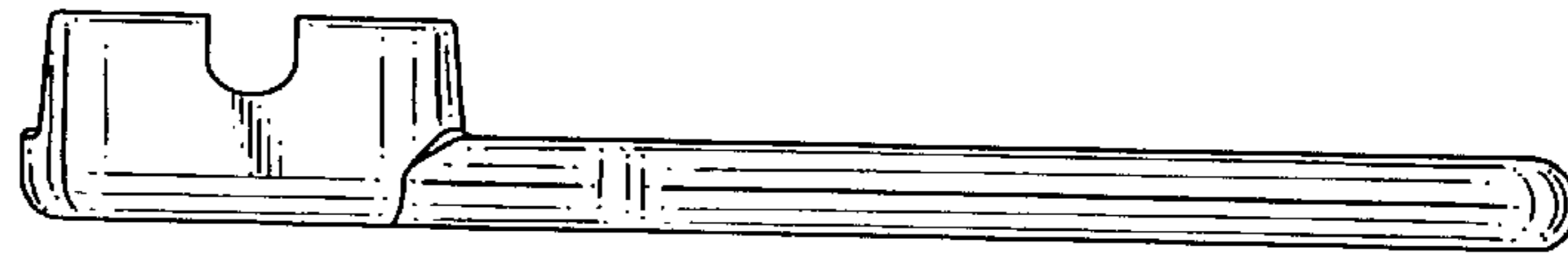


FIG. 3

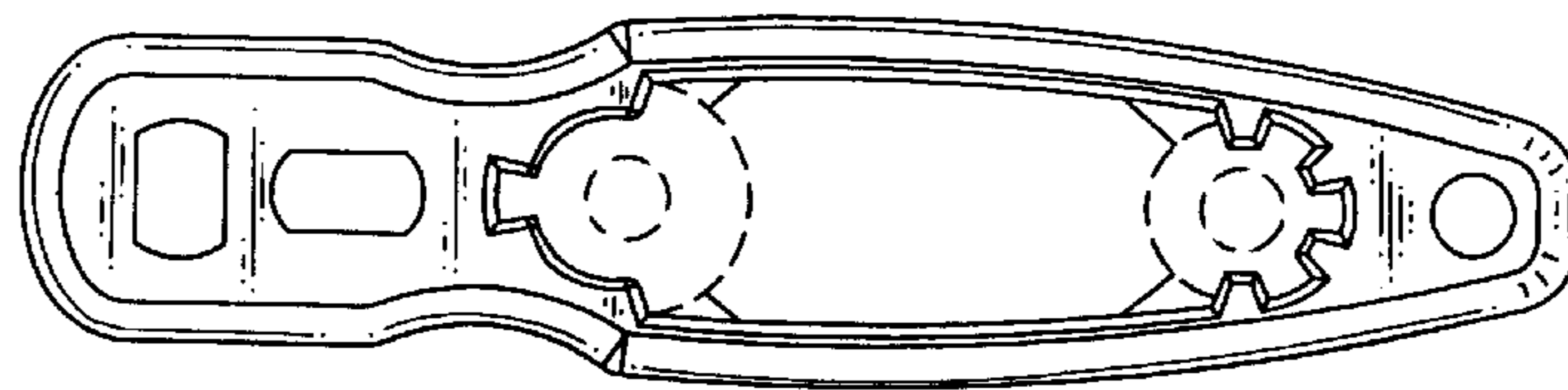


FIG. 2

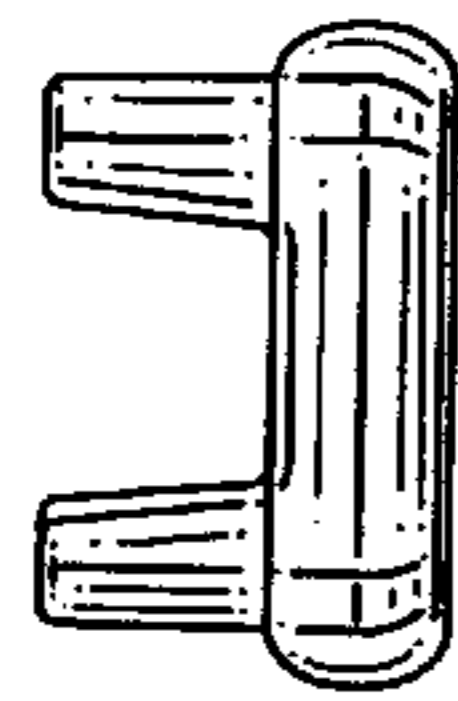


FIG. 5

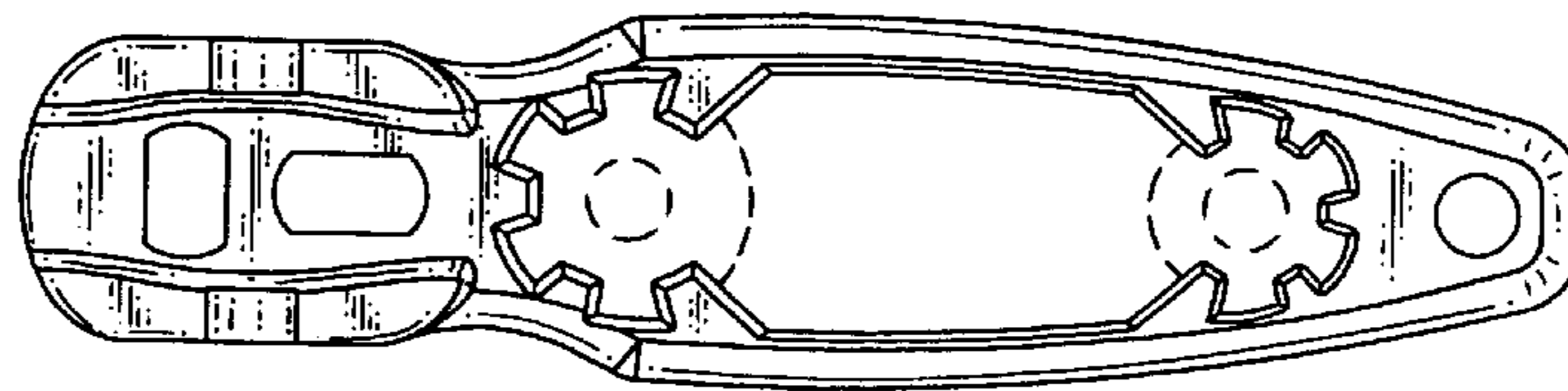


FIG. 1

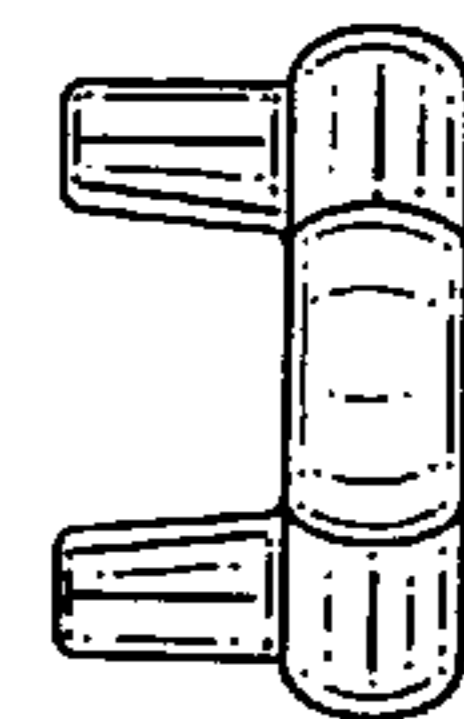


FIG. 6

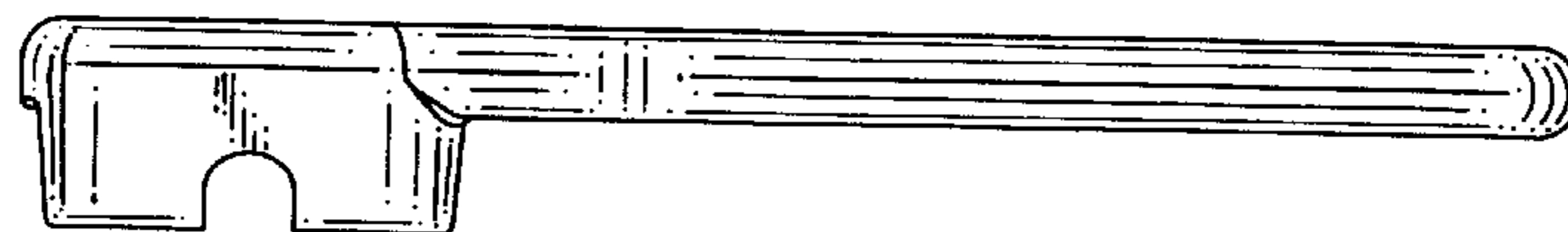


FIG. 4

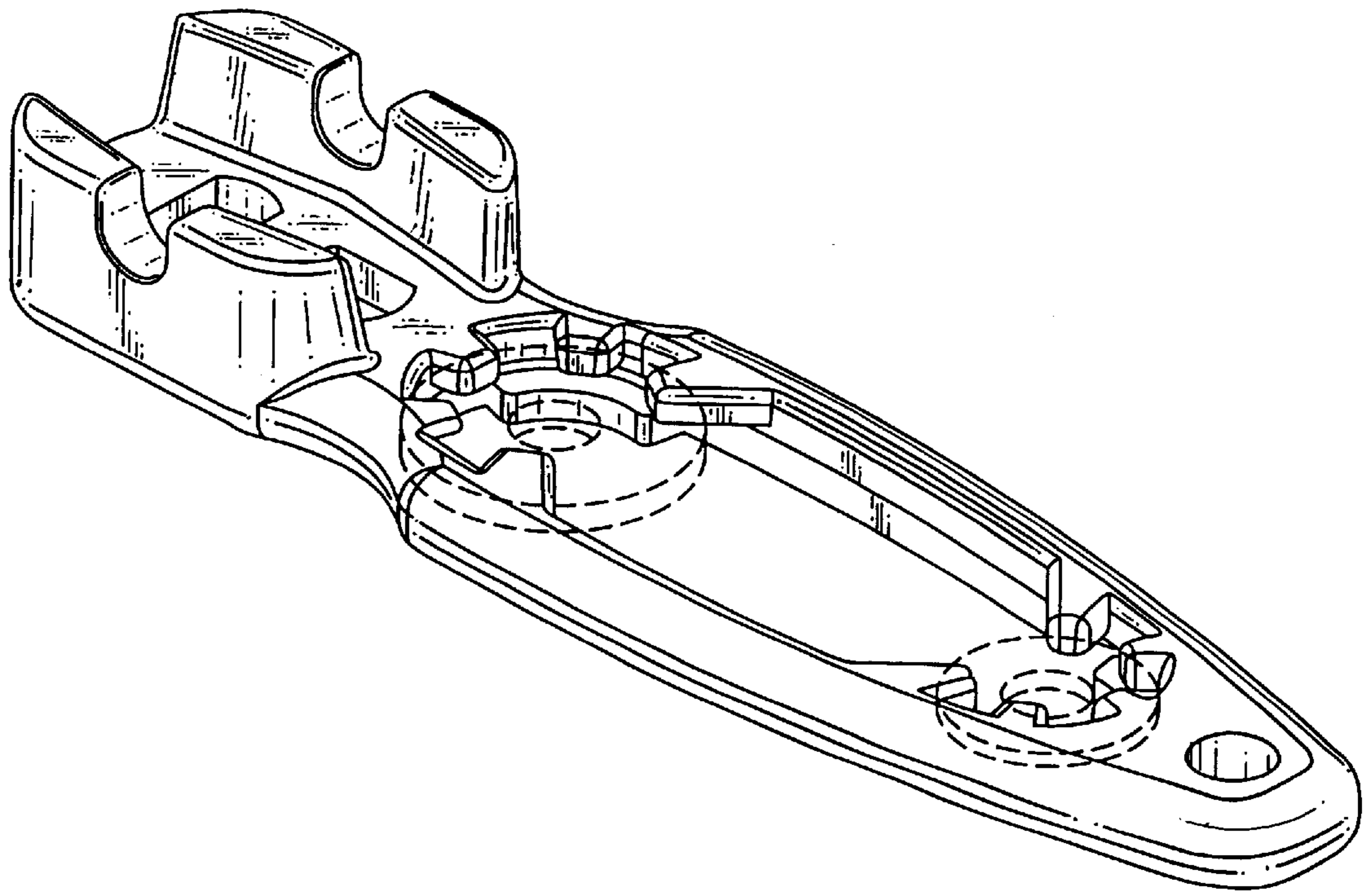


FIG.7

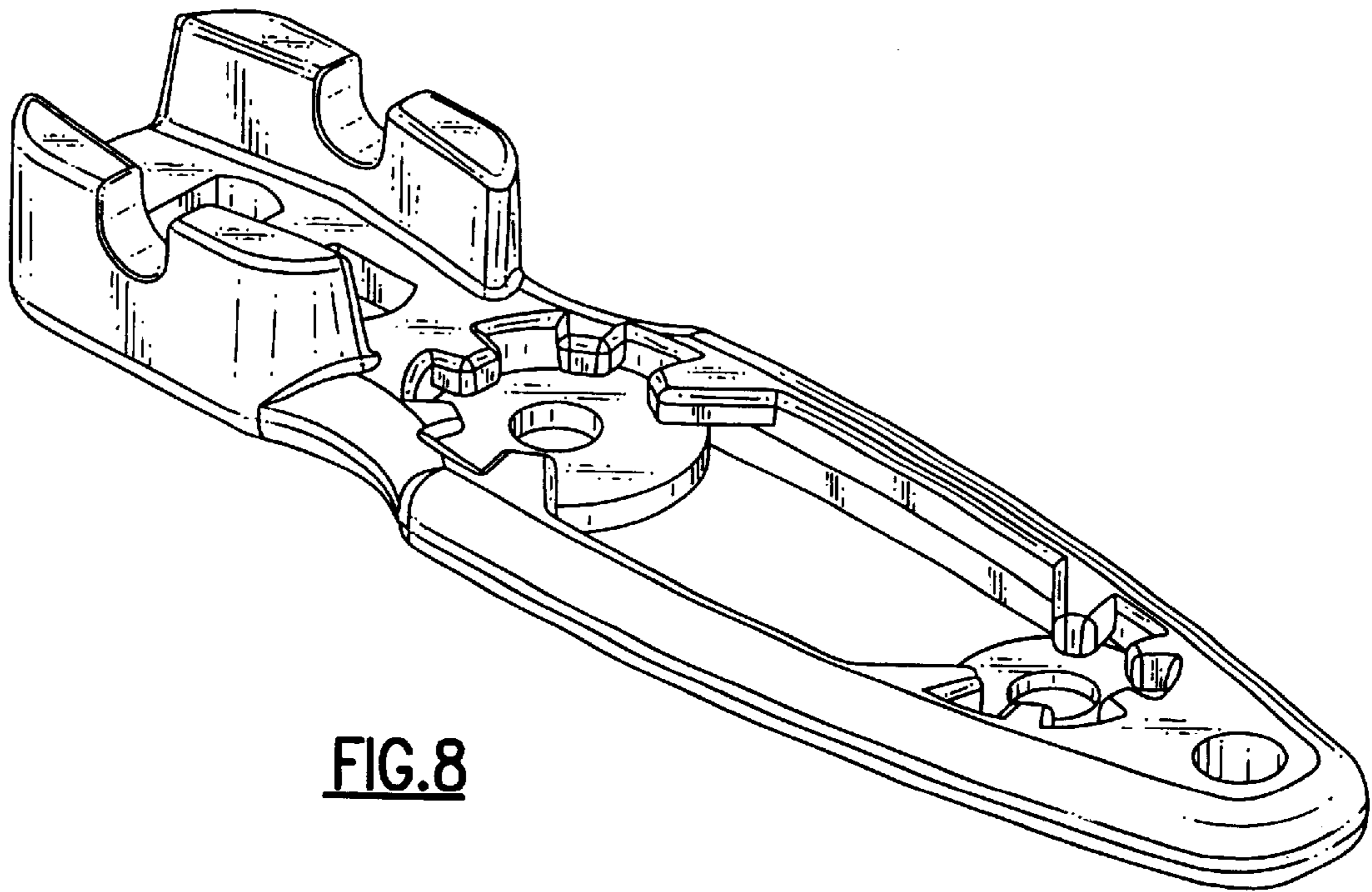


FIG. 8

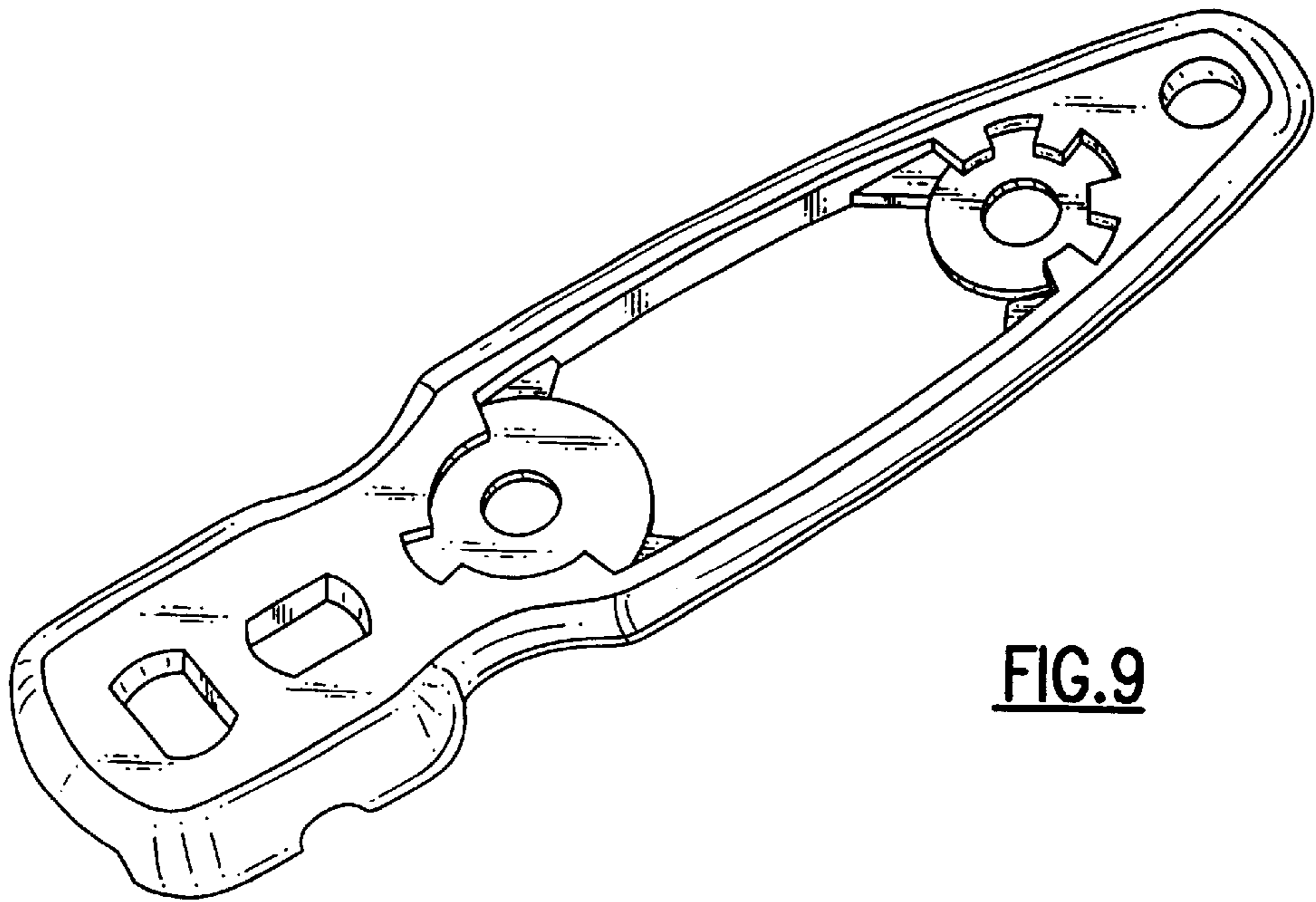


FIG. 9