



US00D467774S

(12) **United States Design Patent**  
**Gallart**

(10) **Patent No.:** **US D467,774 S**

(45) **Date of Patent:** **\*\* Dec. 31, 2002**

(54) **COMBINED ROLLER AND TIN FOR CONFECTIONARY PRODUCT**

5,755,004 A \* 5/1998 Miller ..... 492/19 X  
5,868,273 A \* 2/1999 Daenen et al. .... 220/780 X  
D416,796 S \* 11/1999 Smith ..... D9/428

(75) Inventor: **Ramón Escolà Gallart**, Sant Cugat (ES)

\* cited by examiner

(73) Assignee: **Zeta Espacial, S.A.**, Rubi (ES)

*Primary Examiner*—Terry A. Wallace

(74) *Attorney, Agent, or Firm*—Steinberg & Raskin, P.C.

(\*\*) Term: **14 Years**

(57) **CLAIM**

(21) Appl. No.: **29/141,073**

I claim the ornamental design for a combined roller and tin for confectionary product, as shown and described.

(22) Filed: **Apr. 30, 2001**

**DESCRIPTION**

(30) **Foreign Application Priority Data**

Oct. 30, 2000 (ES) ..... 149713

(51) **LOC (7) Cl.** ..... **07-04**

(52) **U.S. Cl.** ..... **D7/697; D7/629; D7/615; D9/338**

(58) **Field of Search** ..... D7/538–542, 612–615, D7/629, 672, 697, 368, 669; D9/337, 338, 424, 428; 220/780–799, 805; 492/13, 14, 16, 19

FIG. 1 is a perspective view of a first embodiment of a combined roller and tin for confectionary product according to the new design;

FIG. 2 is a top elevation view thereof;

FIG. 3 is a front elevation view thereof;

FIG. 4 is a side elevation view thereof (each side being a mirror image of the other);

FIG. 5 is a back elevation view thereof; and

FIG. 6 is a bottom elevation view thereof.

FIG. 7 is a perspective view of a second embodiment of a combined roller and tin for confectionary product according to the new design;

FIG. 8 is a top elevation view thereof;

FIG. 9 is a front elevation view thereof;

FIG. 10 is a side elevation view thereof (each side being a mirror image of the other);

FIG. 11 is a back elevation view thereof; and,

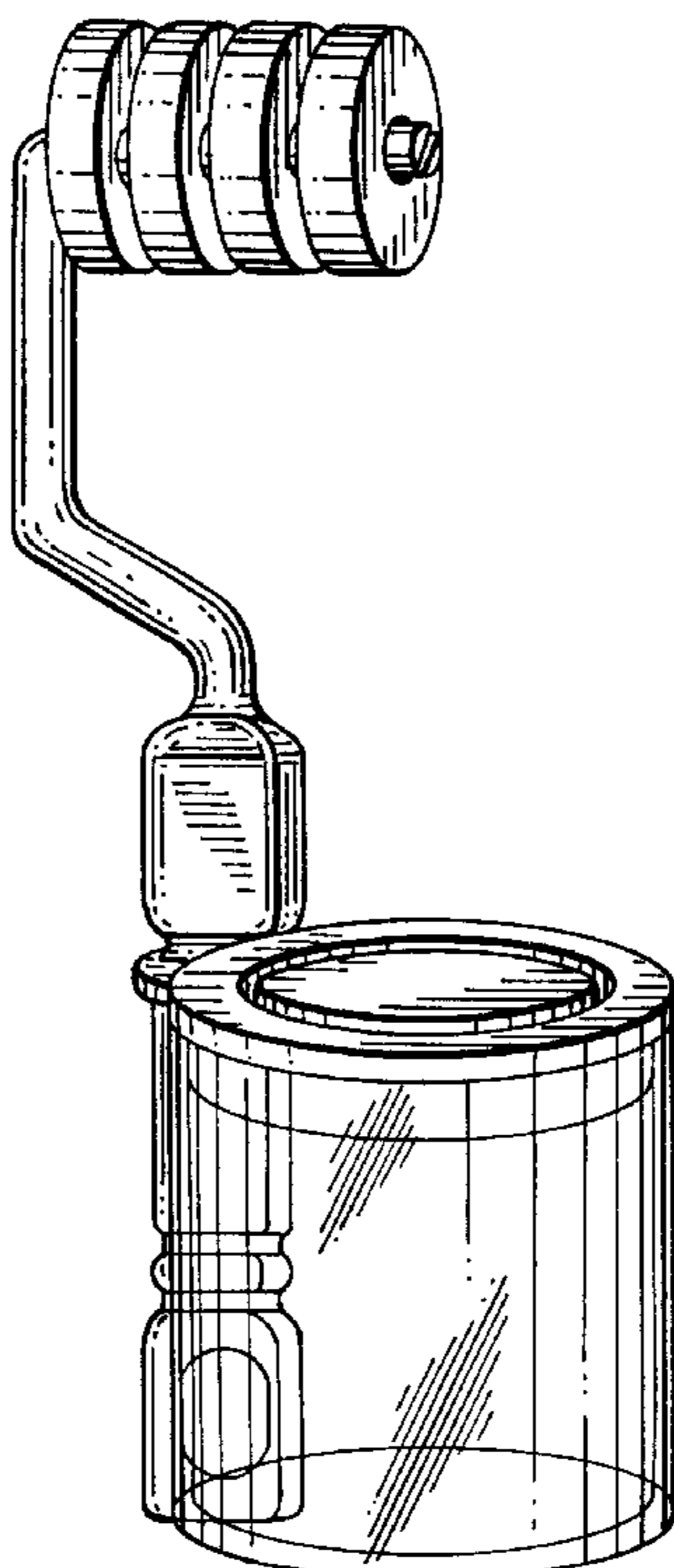
FIG. 12 is a bottom elevation view thereof.

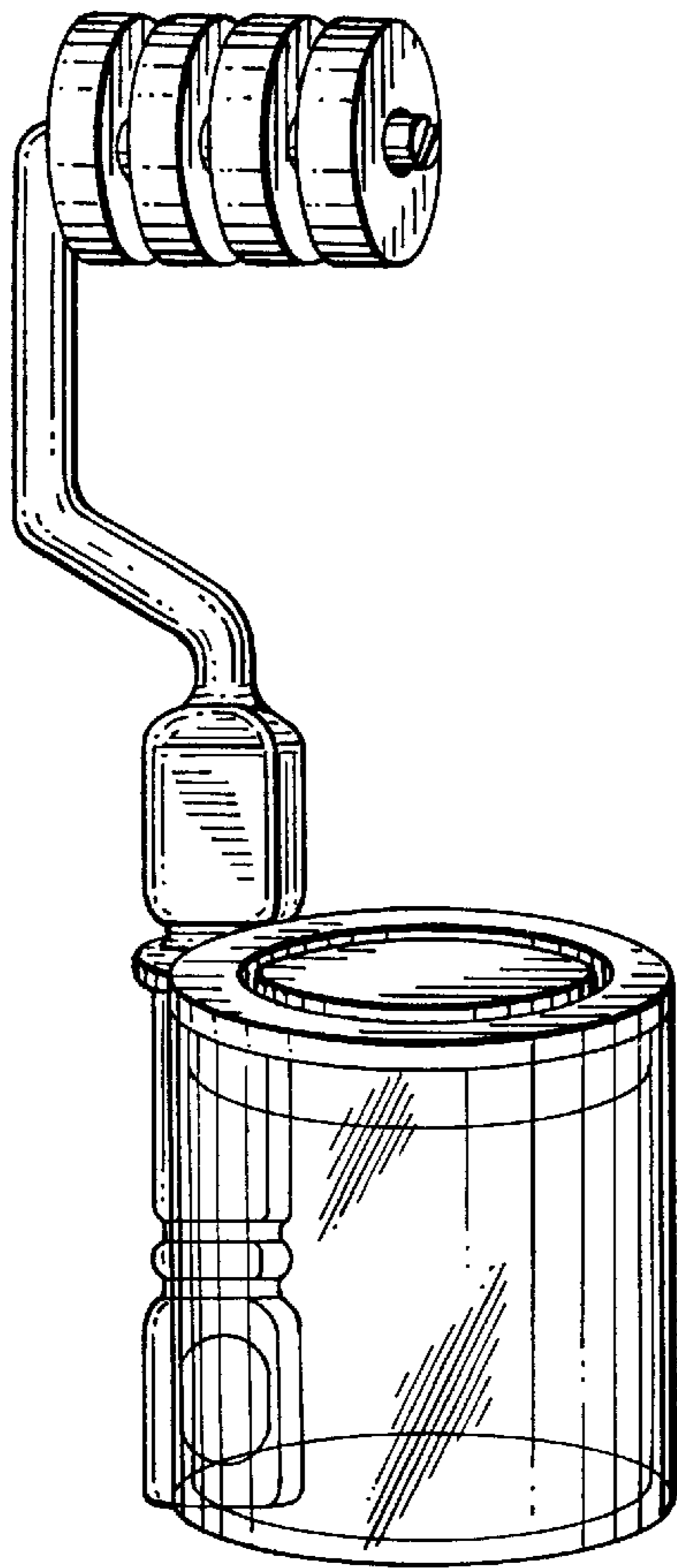
(56) **References Cited**

**U.S. PATENT DOCUMENTS**

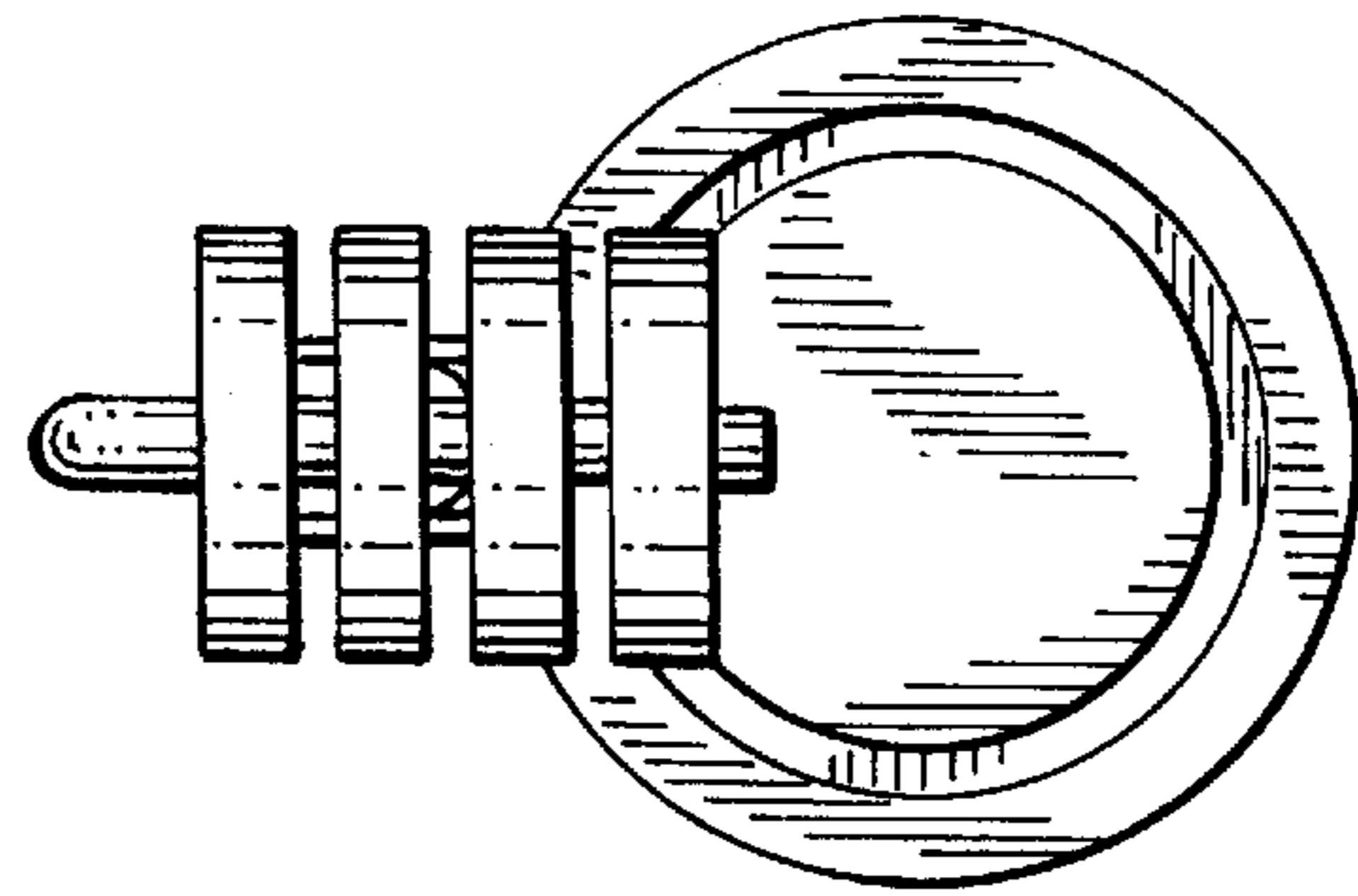
3,082,459 A \* 3/1963 Johnson ..... 492/13 X  
D207,988 S \* 6/1967 Grant ..... D9/338 X  
3,847,260 A \* 11/1974 Fowler ..... 492/16 X  
D312,400 S \* 11/1990 Schwaikert ..... D9/424  
D313,353 S \* 1/1991 Hart et al. .... D9/428  
D355,850 S \* 2/1995 Lee ..... D9/428  
D359,903 S \* 7/1995 Arshinoff et al. .... D9/428

**1 Claim, 4 Drawing Sheets**

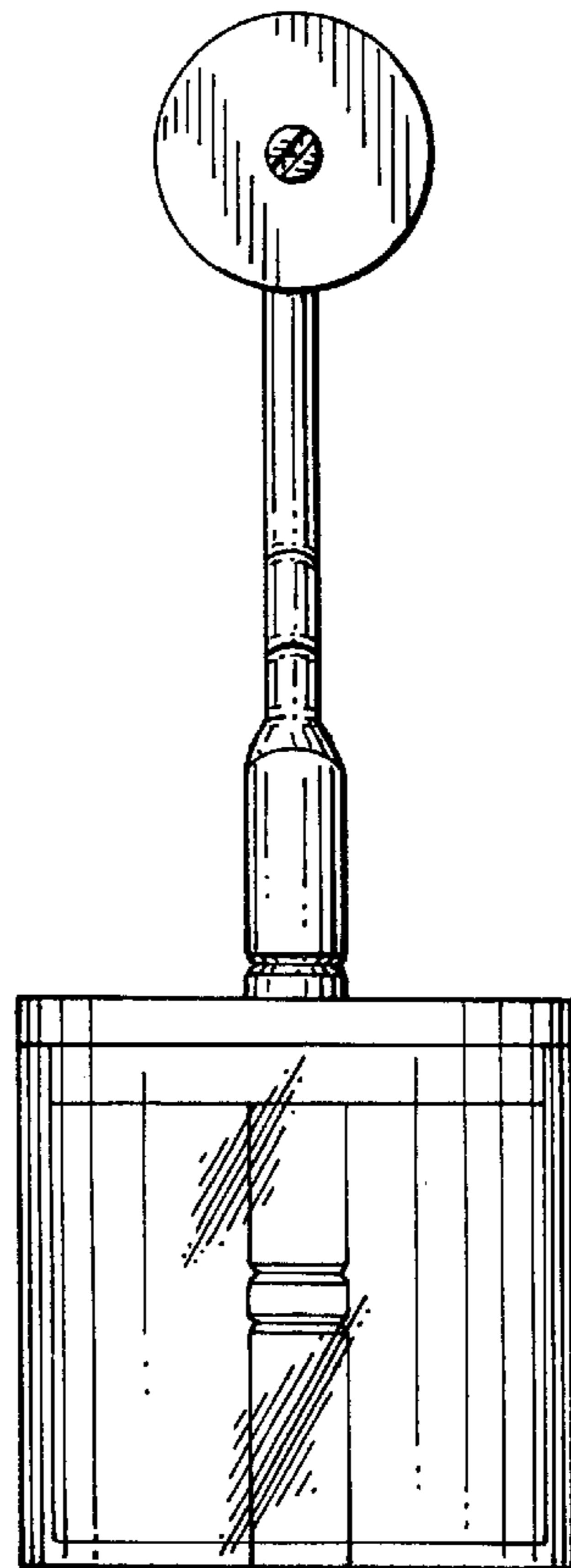




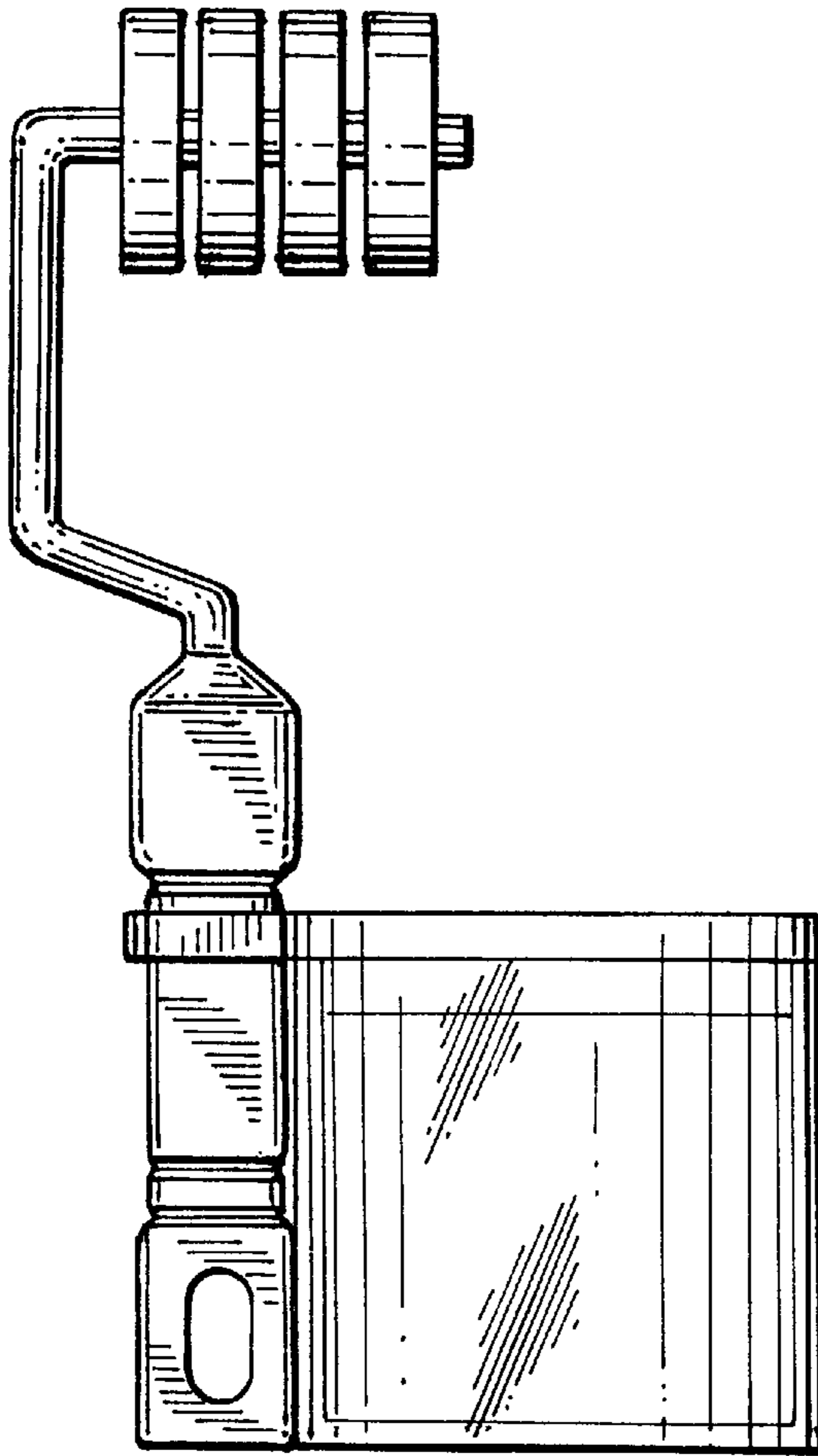
*FIG. 1*



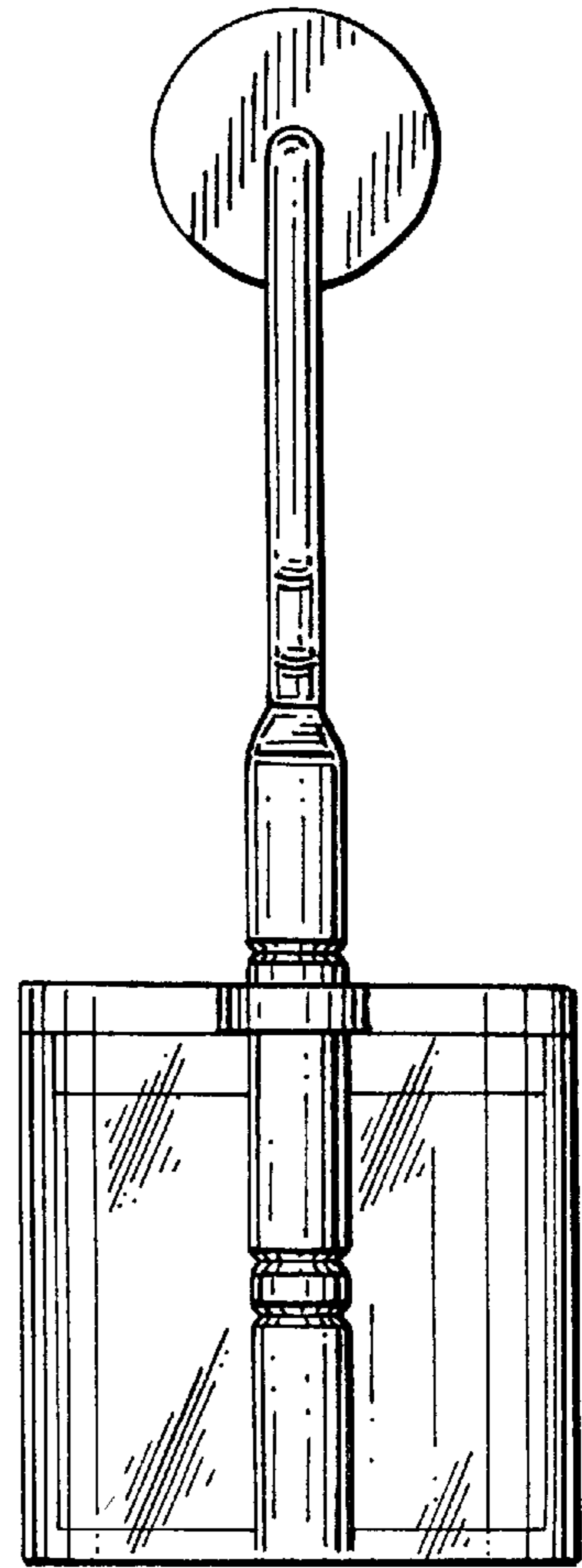
*FIG. 2*



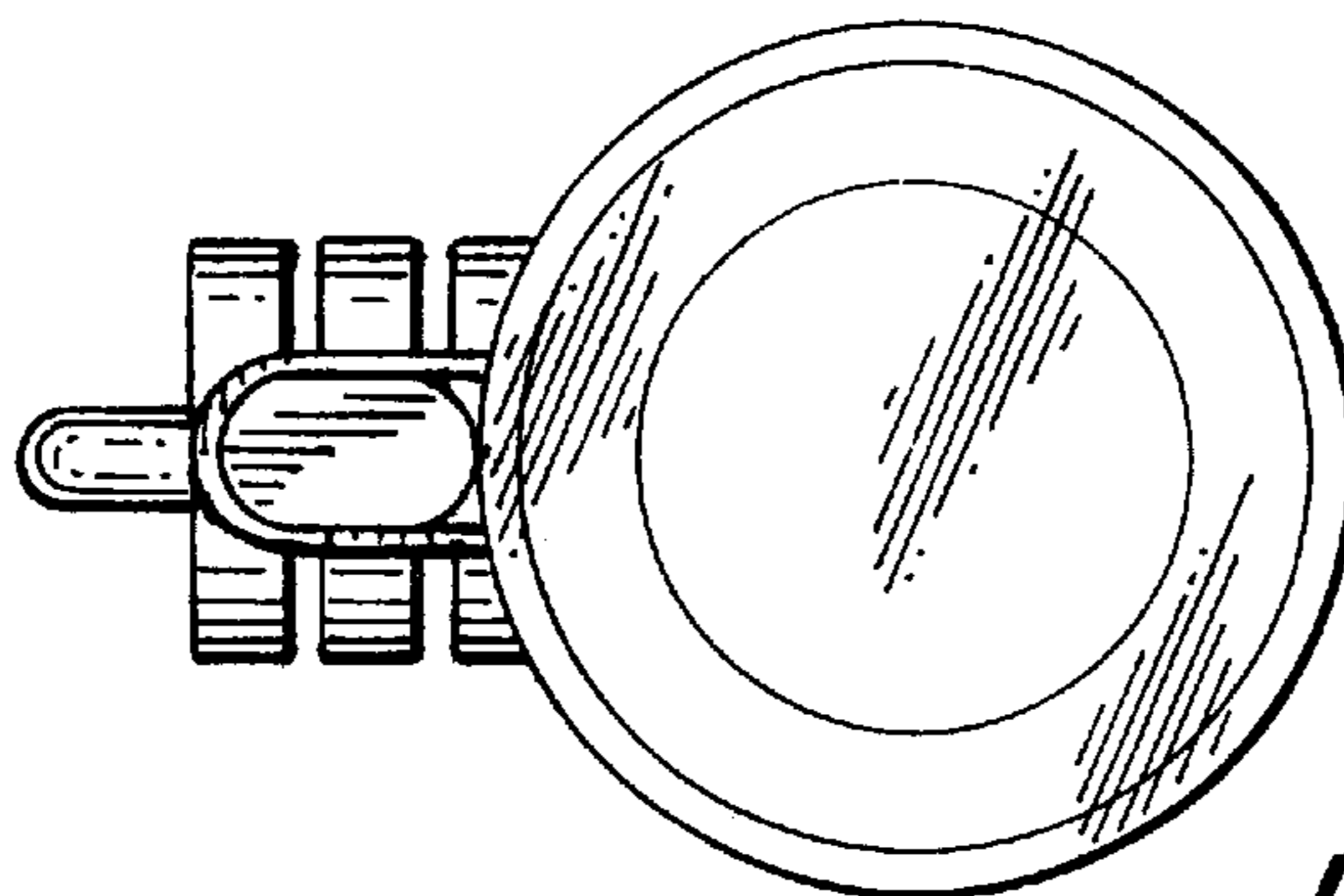
*FIG. 3*



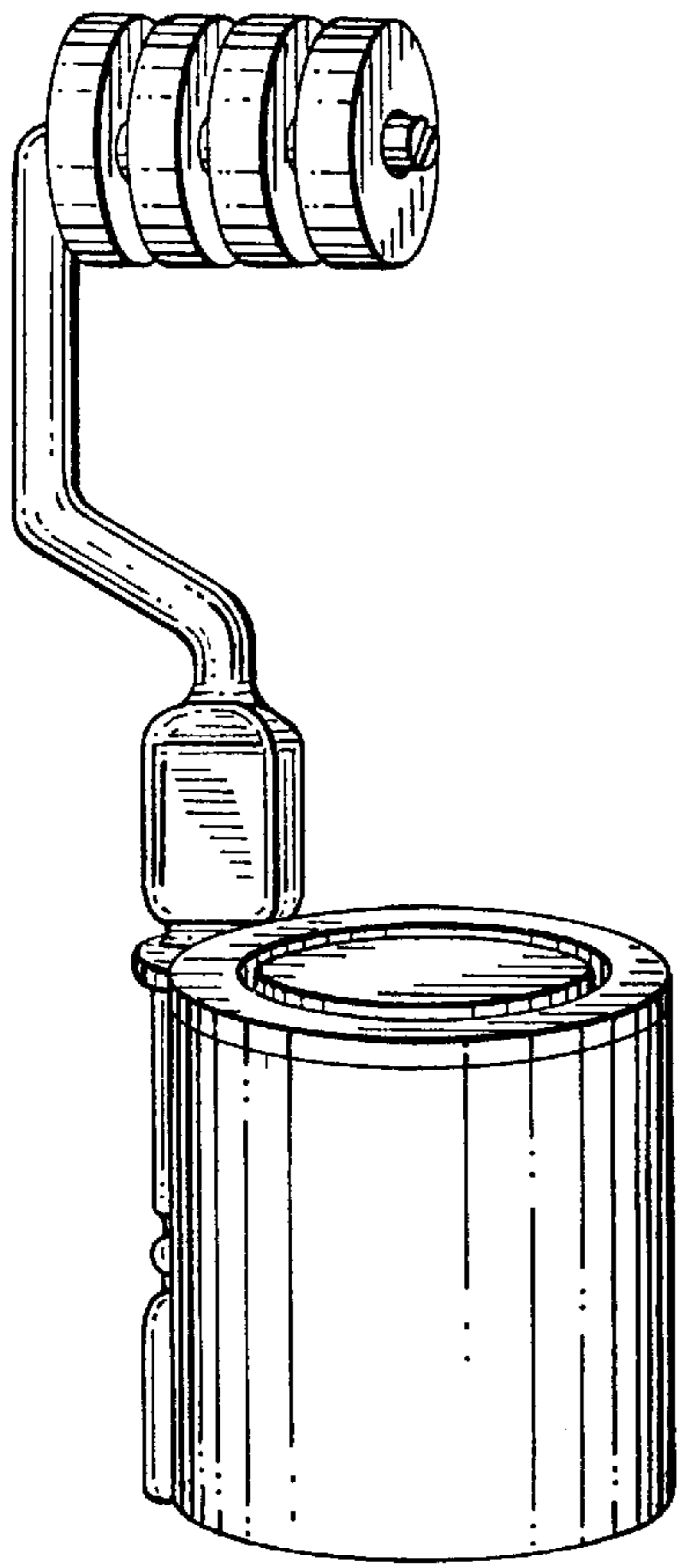
*FIG. 4*



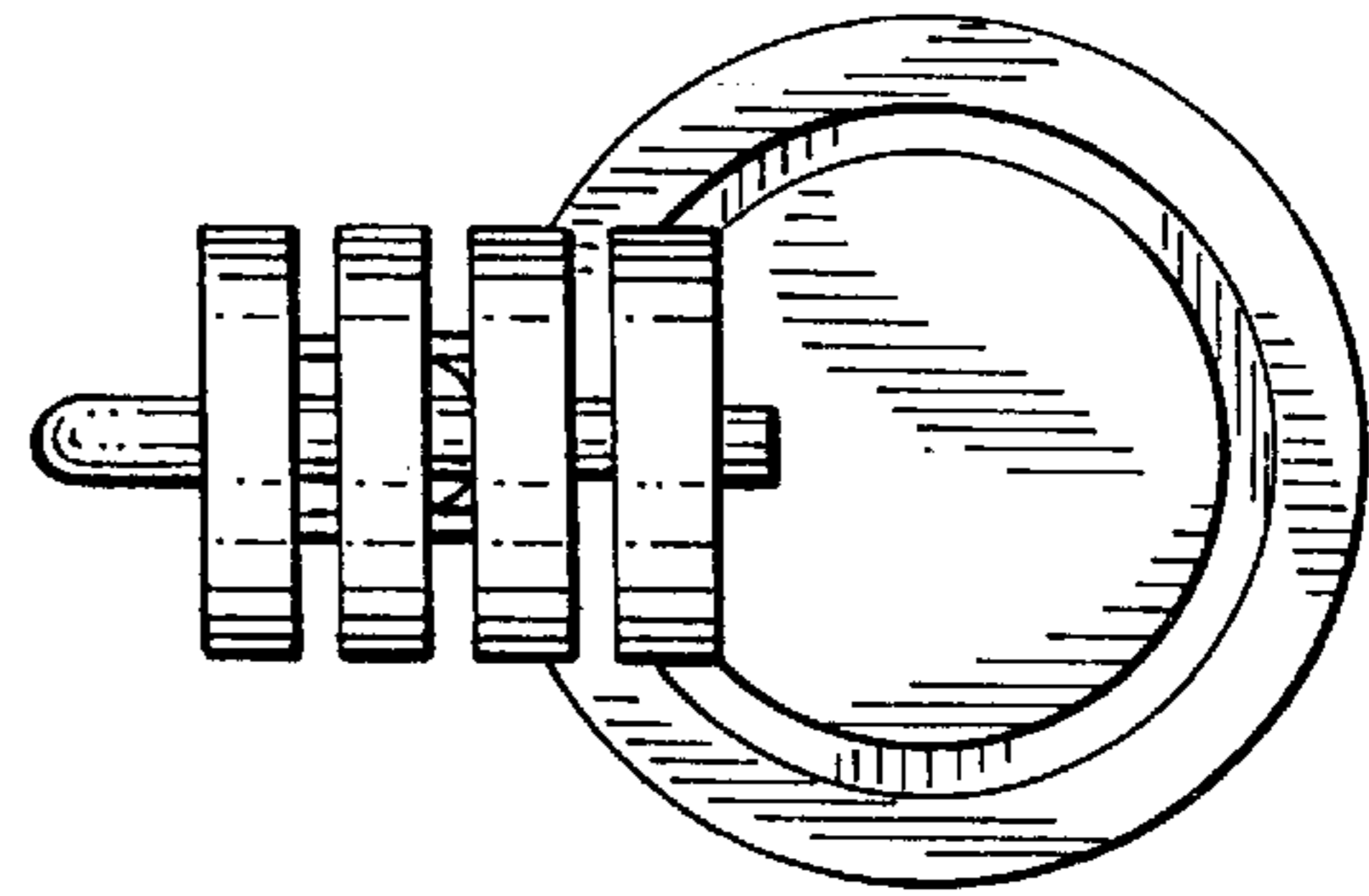
*FIG. 5*



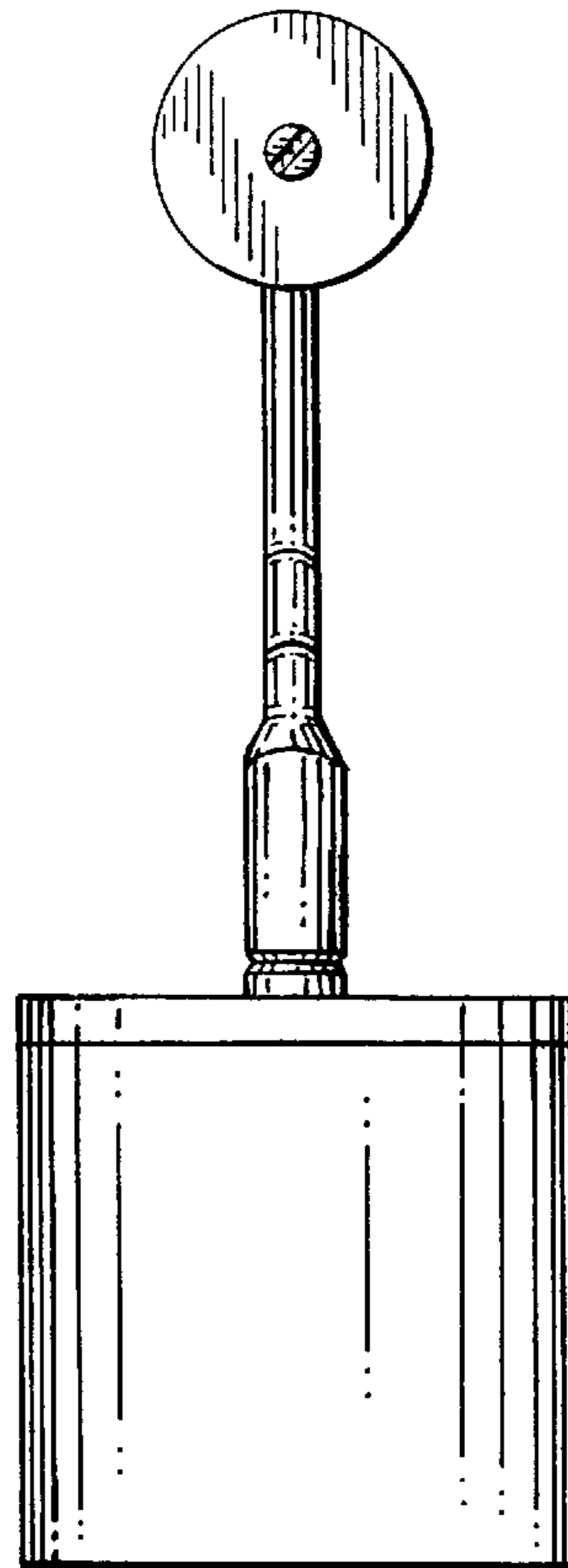
*FIG. 6*



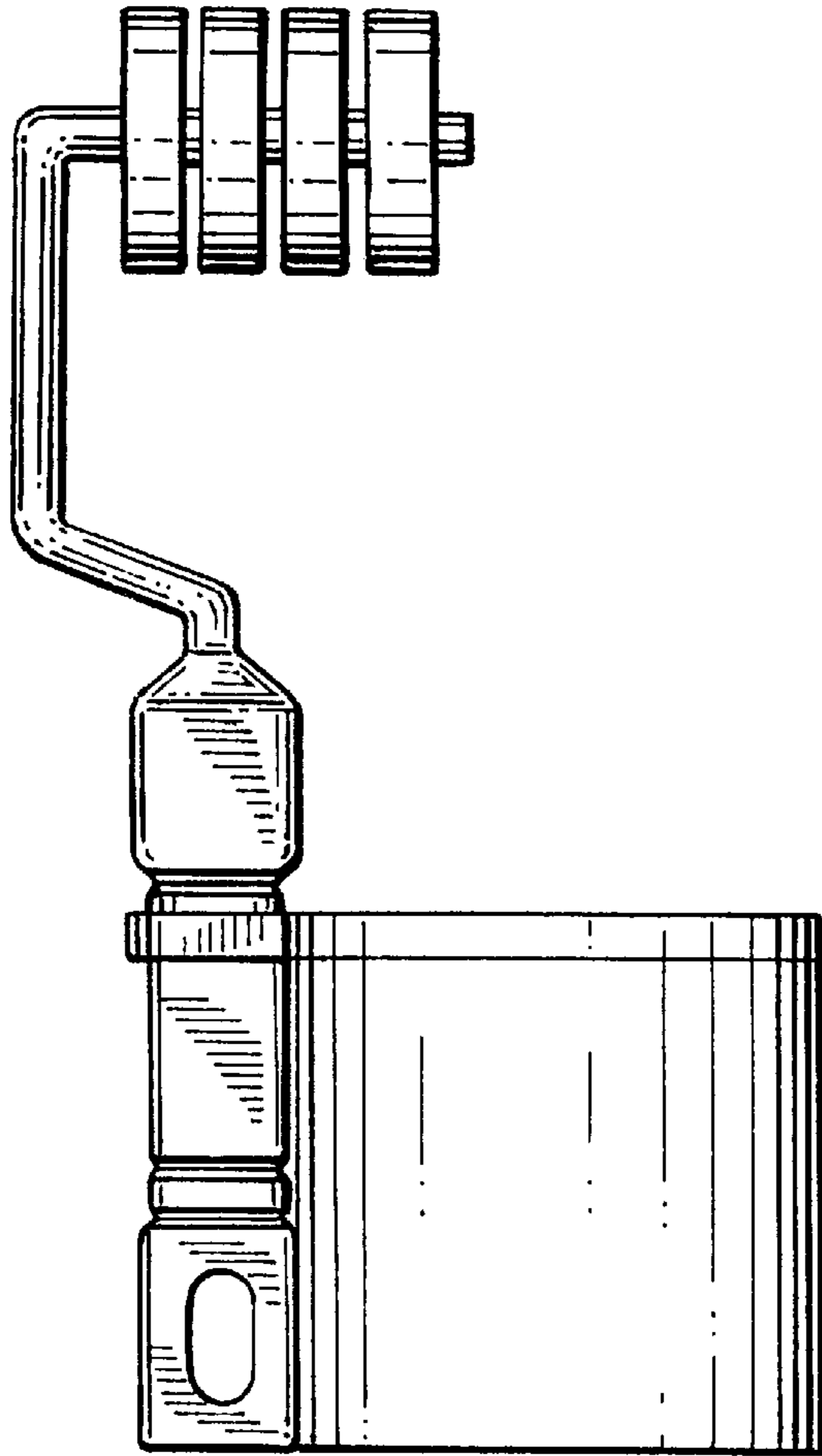
*FIG. 7*



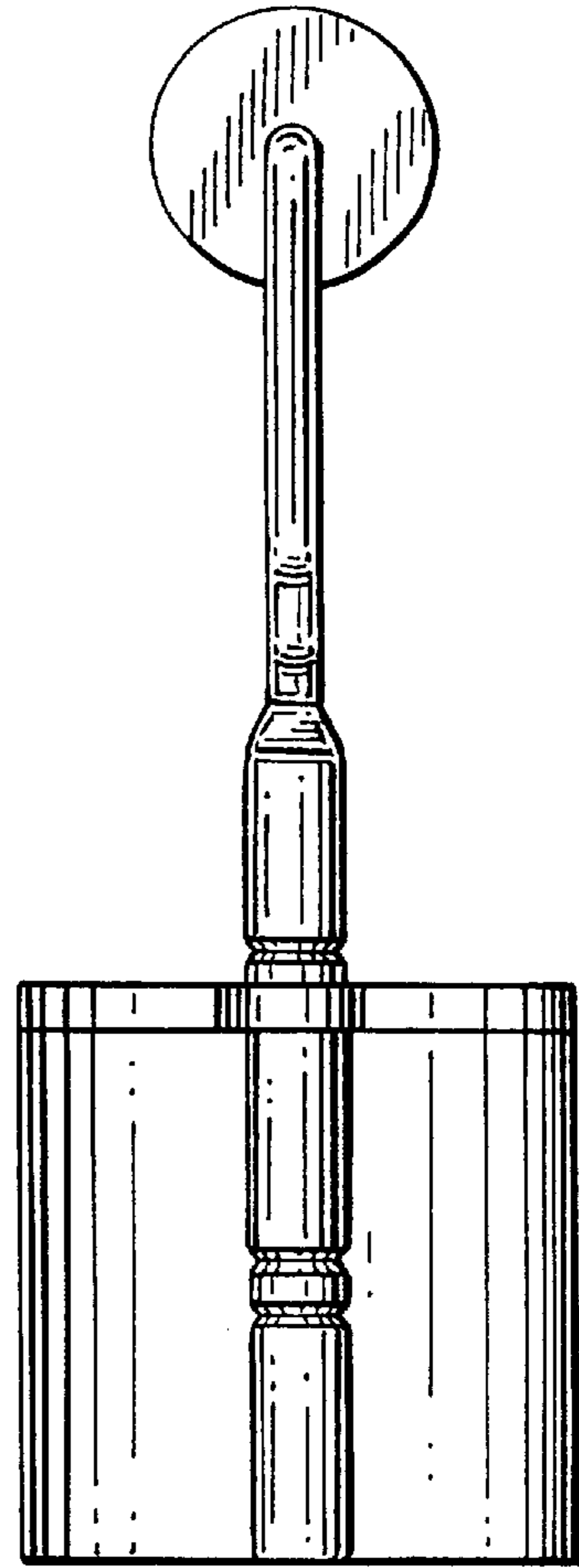
*FIG. 8*



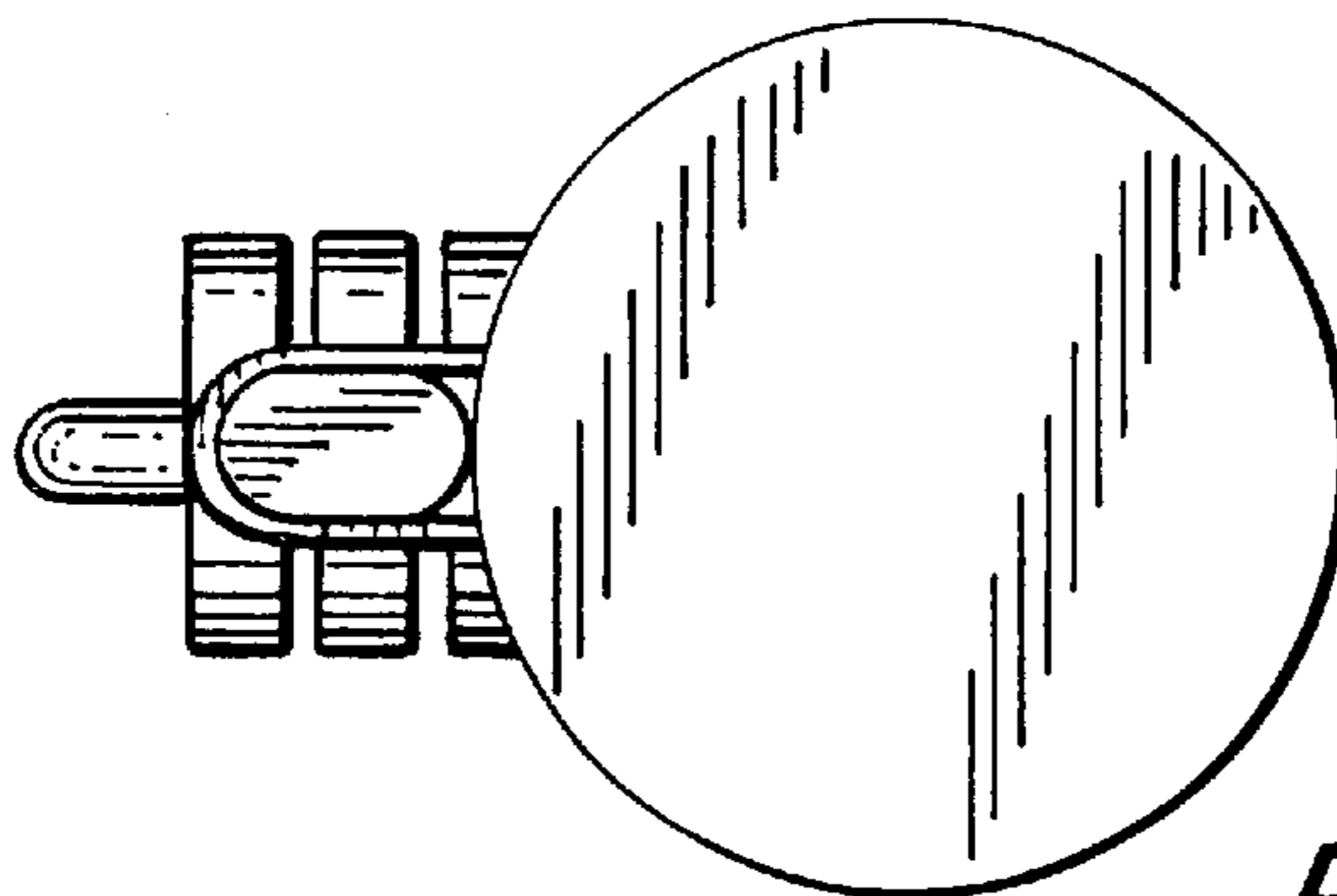
*FIG. 9*



*FIG. 10*



*FIG. 11*



*FIG. 12*