



US00D467773S

(12) **United States Design Patent**
Wright

(10) **Patent No.:** **US D467,773 S**

(45) **Date of Patent:** **** Dec. 31, 2002**

(54) **SPICE MILL**

(75) **Inventor:** **Sabrena Wright, Bellevue, WA (US)**

(73) **Assignee:** **Progressive International Corp., Kent, WA (US)**

(**) **Term:** **14 Years**

(21) **Appl. No.:** **29/152,471**

(22) **Filed:** **Dec. 18, 2001**

(51) **LOC (7) Cl.** **07-06**

(52) **U.S. Cl.** **D7/679**

(58) **Field of Search** D7/372, 373, 591-597,
D7/679; 222/142.1-142.9, 480; 241/168,
169, 169.1, 262, 286

(56) **References Cited**

U.S. PATENT DOCUMENTS

3,991,947 A * 11/1976 Schlessel 241/169.1

D349,432 S * 8/1994 Kibbe D7/679

D362,598 S * 9/1995 Kibbe D7/679

D372,643 S * 8/1996 Tang D7/679

D382,167 S * 8/1997 Husted D7/679

* cited by examiner

Primary Examiner—Terry A. Wallace

(74) *Attorney, Agent, or Firm*—Black Lowe & Graham PLLC

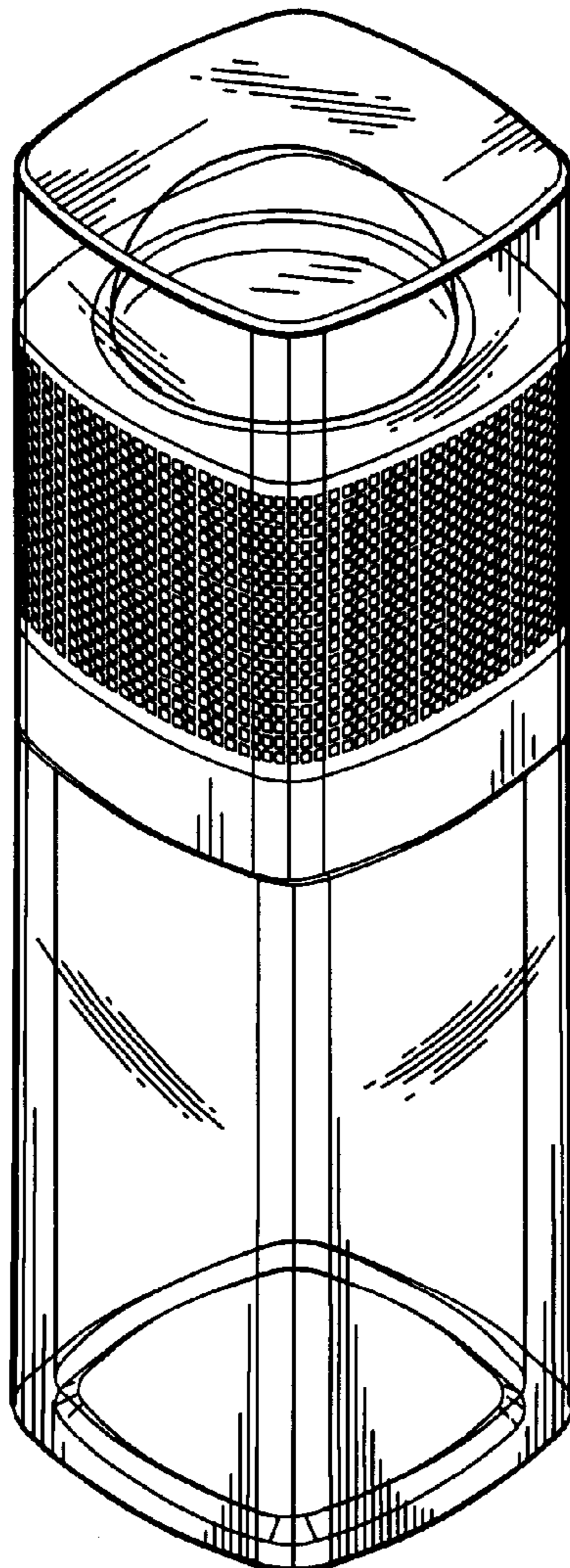
(57) **CLAIM**

The ornamental design of a spice mill, as shown and described.

DESCRIPTION

FIG. 1 is an isometric view of the spice mill;
FIG. 2 is a side view, all of the side views being substantially identical;
FIG. 3 is a top plan view; and,
FIG. 4 is a bottom plan view.

1 Claim, 1 Drawing Sheet



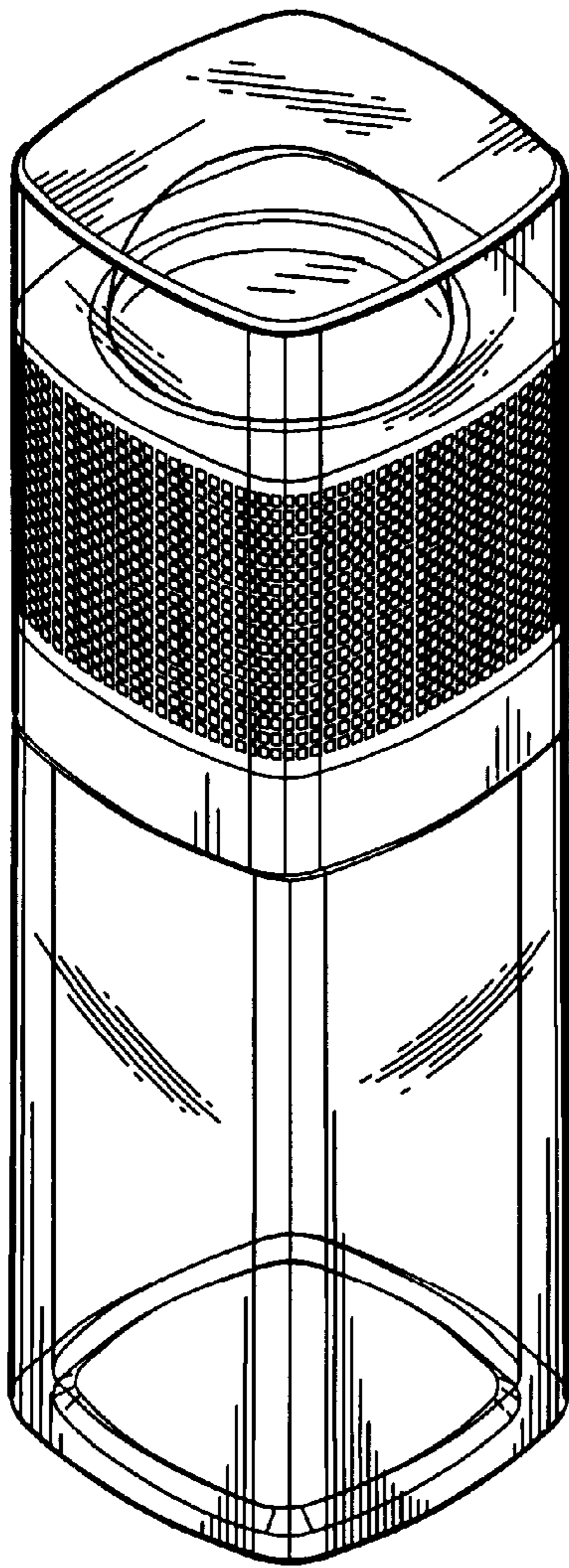


Fig. 1.

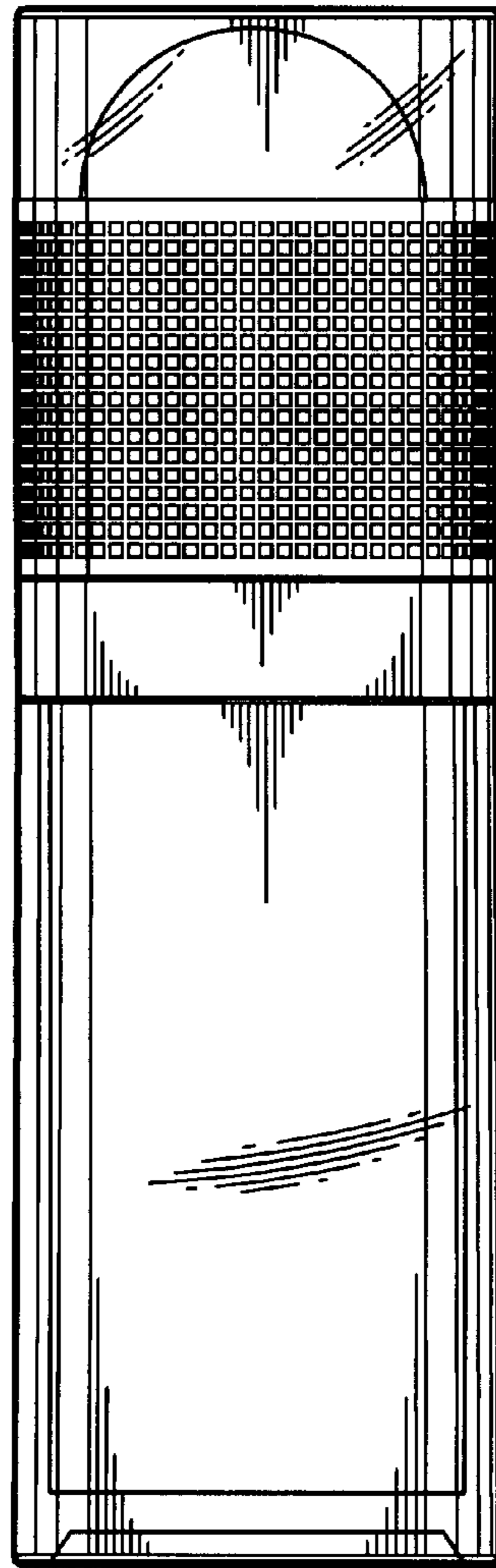


Fig. 2.

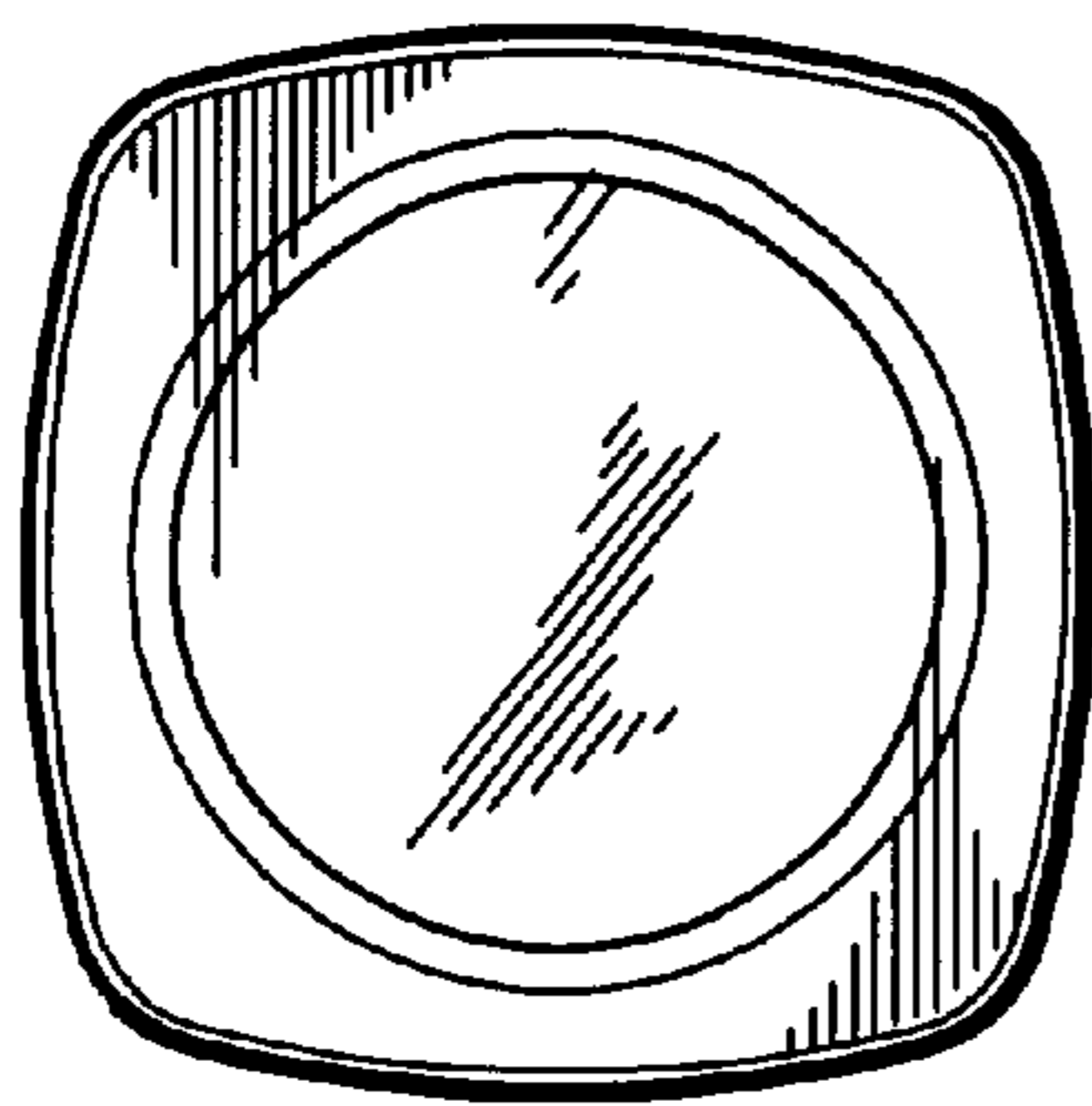


Fig. 3.

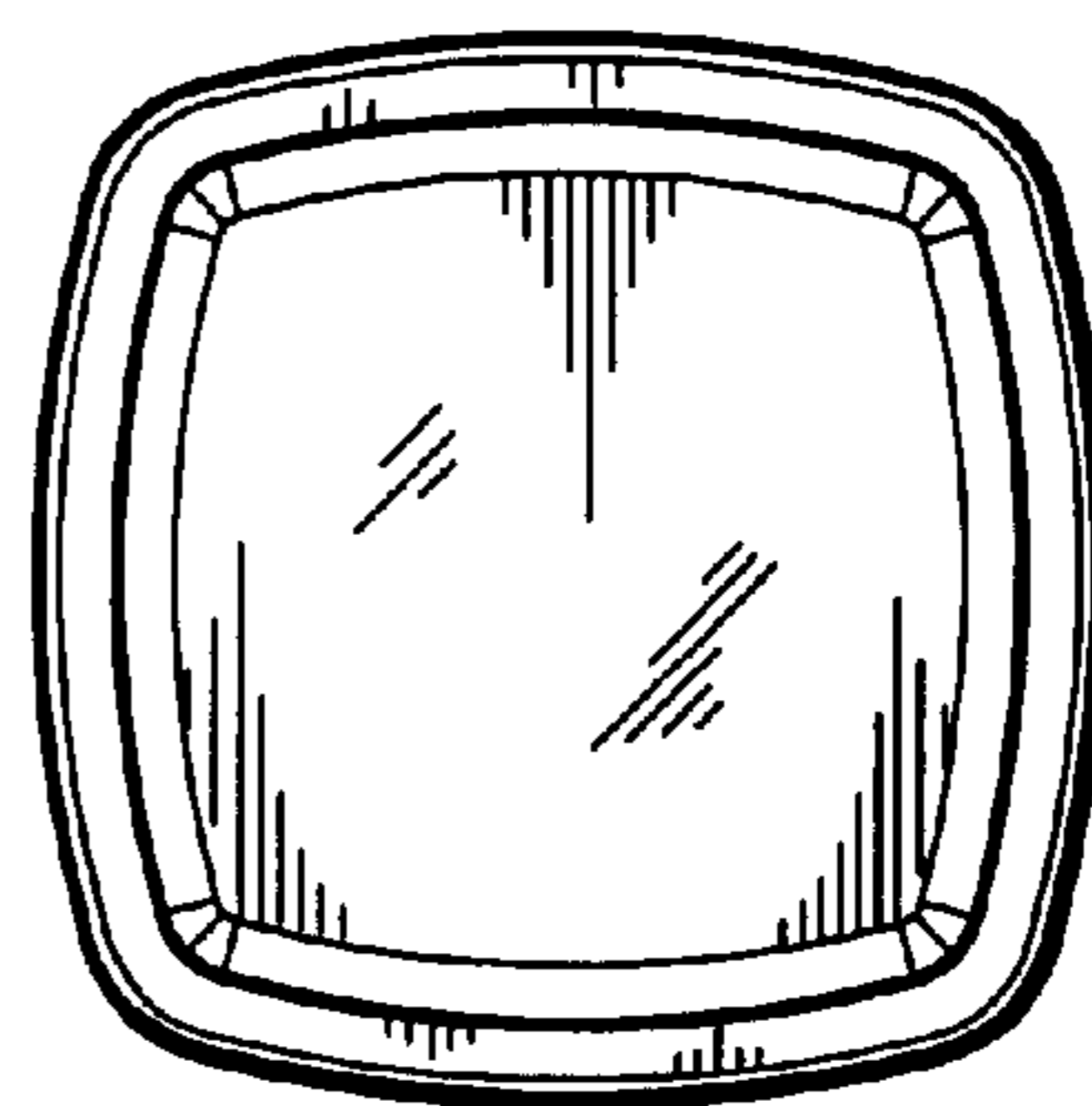


Fig. 4.