



US00D467771S

(12) **United States Design Patent**
Nemazi et al.

(10) **Patent No.:** **US D467,771 S**

(45) **Date of Patent:** **** Dec. 31, 2002**

(54) **COOLER**

5,154,158 A * 10/1992 Lindsey 62/457.7 X
D337,486 S * 7/1993 Maggiore D7/606 X

(76) Inventors: **John E. Nemazi**, 4373 Stoneleigh,
Bloomfield Hills, MI (US) 48302;
Kenneth Cantor, 4379 Strathdale, West
Bloomfield, MI (US) 48323

* cited by examiner

Primary Examiner—Terry A. Wallace
(74) *Attorney, Agent, or Firm*—Brooks & Kushman P. C.

(**) Term: **14 Years**

(57) **CLAIM**

(21) Appl. No.: **29/152,950**

The ornamental design for a cooler, as shown and described.

(22) Filed: **Dec. 27, 2001**

DESCRIPTION

(51) **LOC (7) Cl.** **07-01**

(52) **U.S. Cl.** **D7/606**

(58) **Field of Search** D7/605, 606, 391–392.1;
D9/307, 310, 434, 451; 62/457.1, 457.7,
371, 372; 220/592.2, 592.24, 592.25, 915.1,
915.2; D11/158

FIG. 1 is a top plan view of a cooler;
FIG. 2 is a front side elevational view thereof;
FIG. 3 is a rear side elevational view thereof;
FIG. 4 is a bottom plan view thereof;
FIG. 5 is a right side elevational view thereof; and,
FIG. 6 is a left side elevational view.

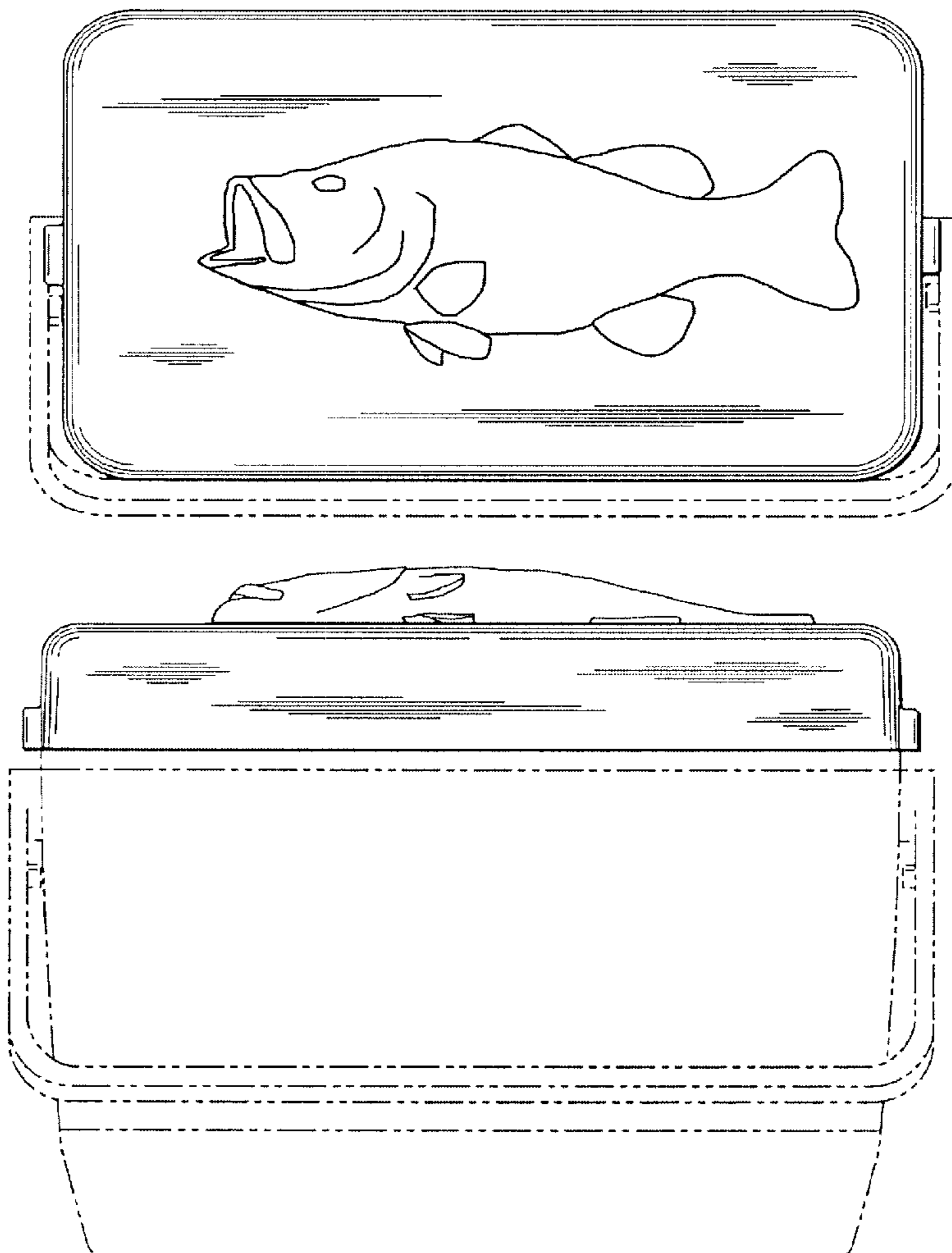
The broken lines are for illustrative purposes only and form no part of the claimed design.

(56) **References Cited**

U.S. PATENT DOCUMENTS

2,580,982 A * 1/1952 Weiss D9/310 X

1 Claim, 3 Drawing Sheets



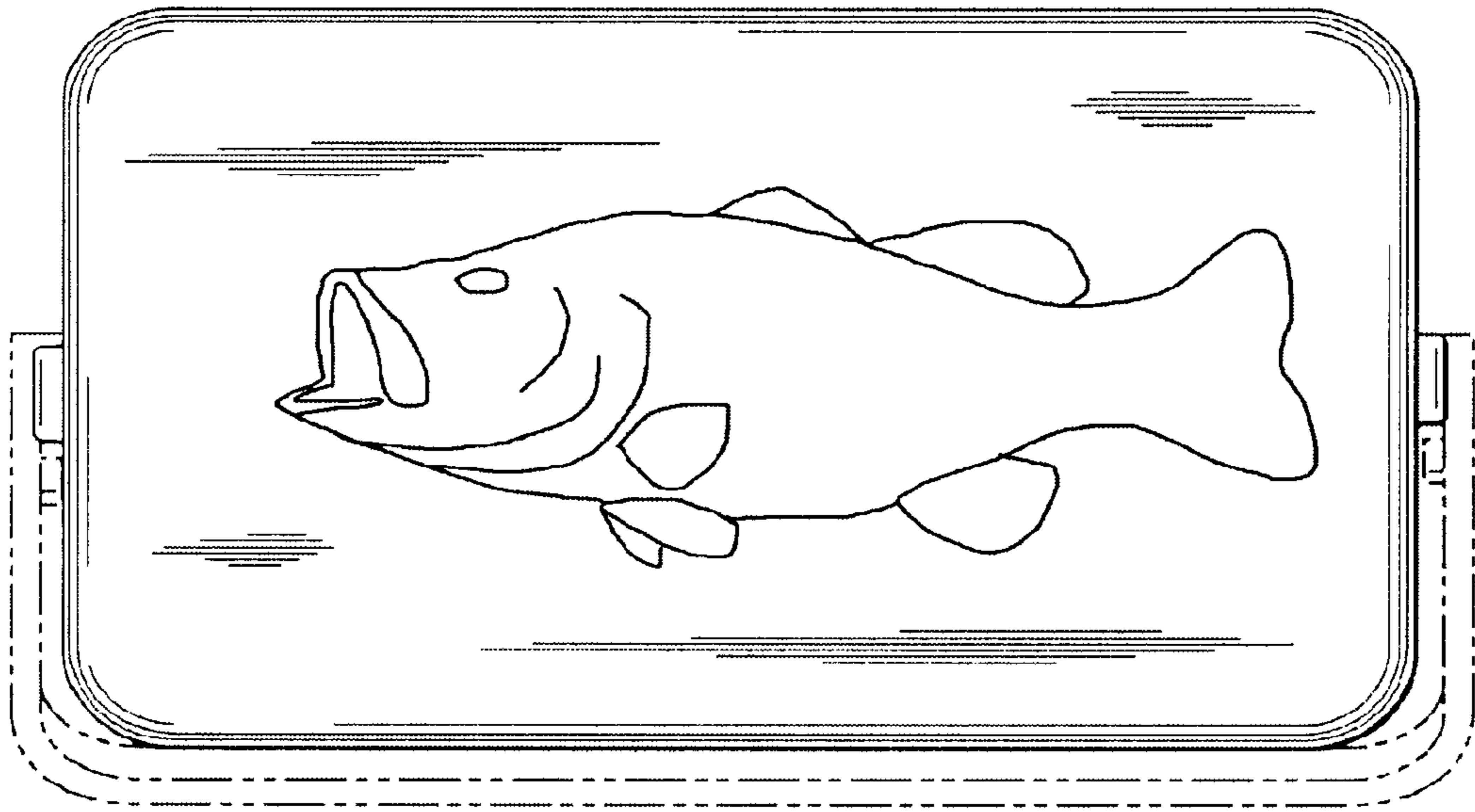


Fig. 1

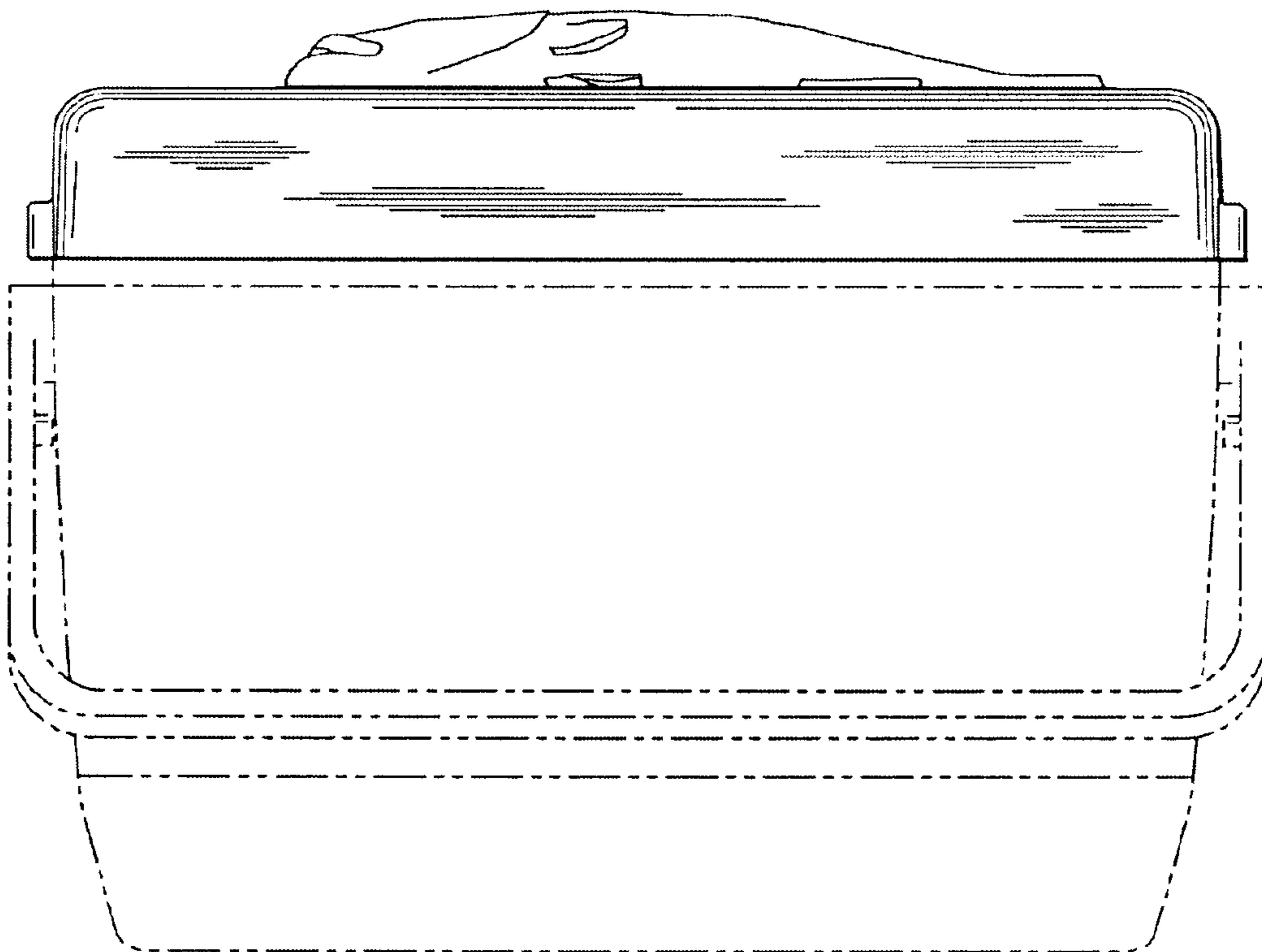


Fig. 2

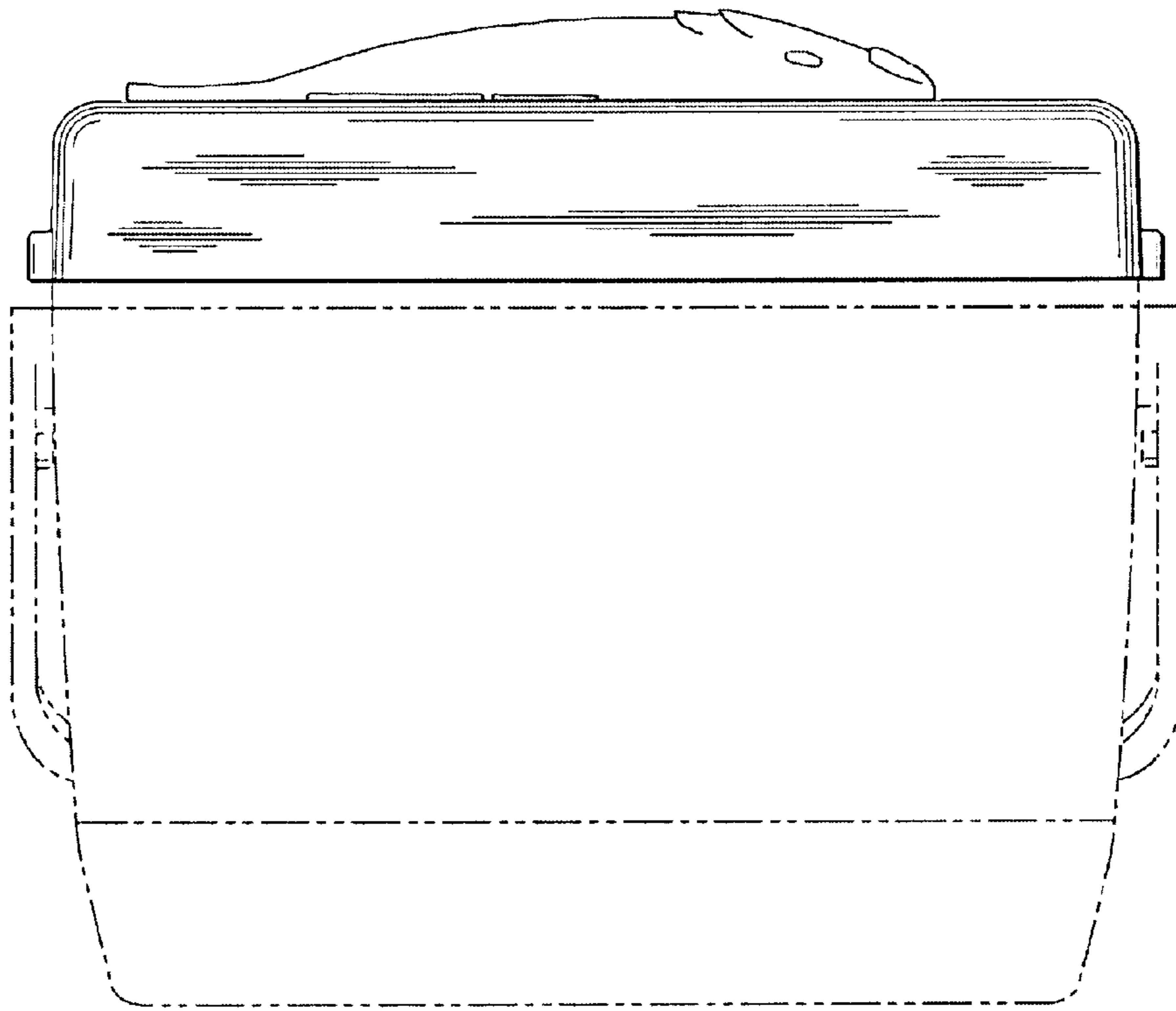


Fig. 3

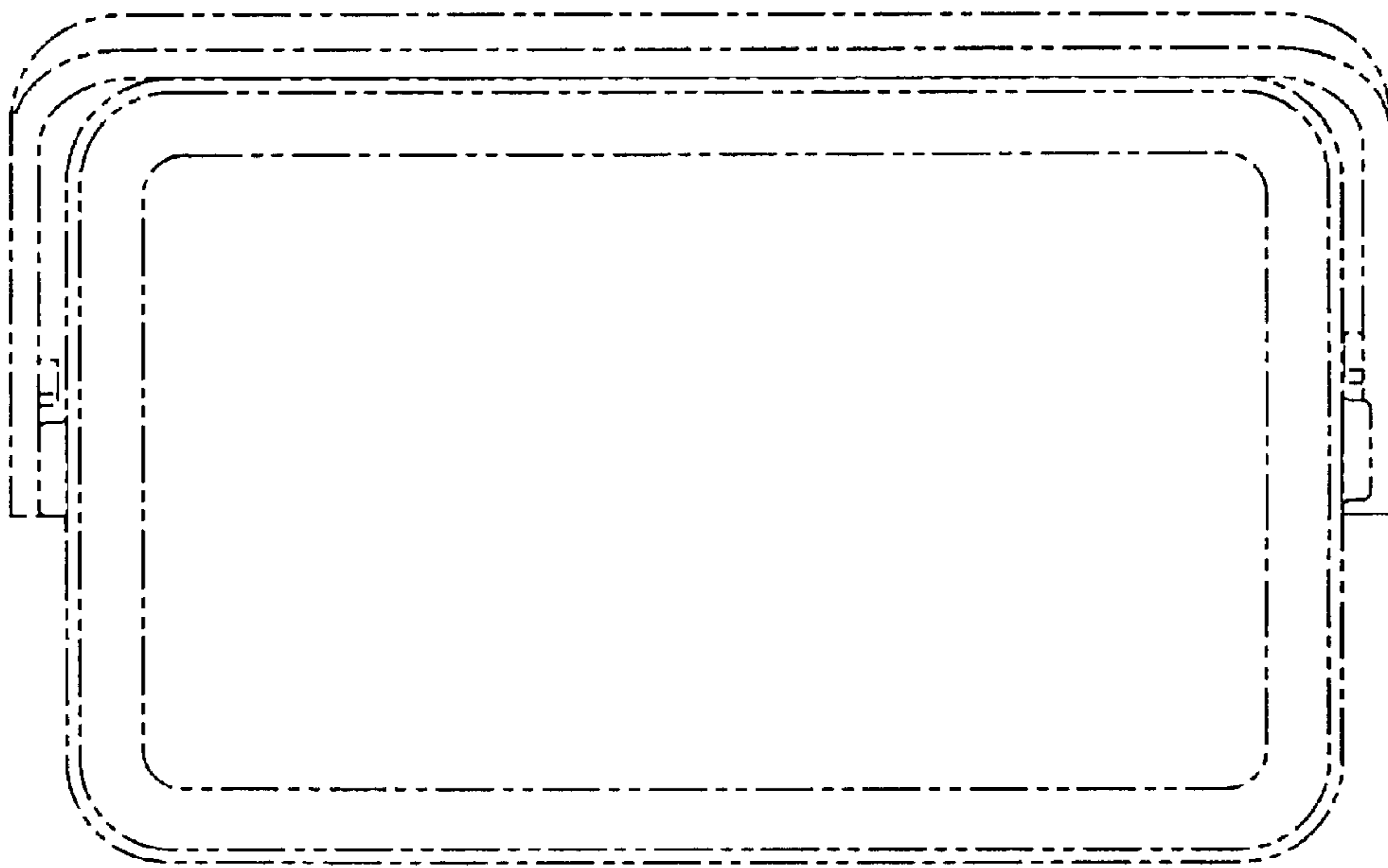


Fig. 4

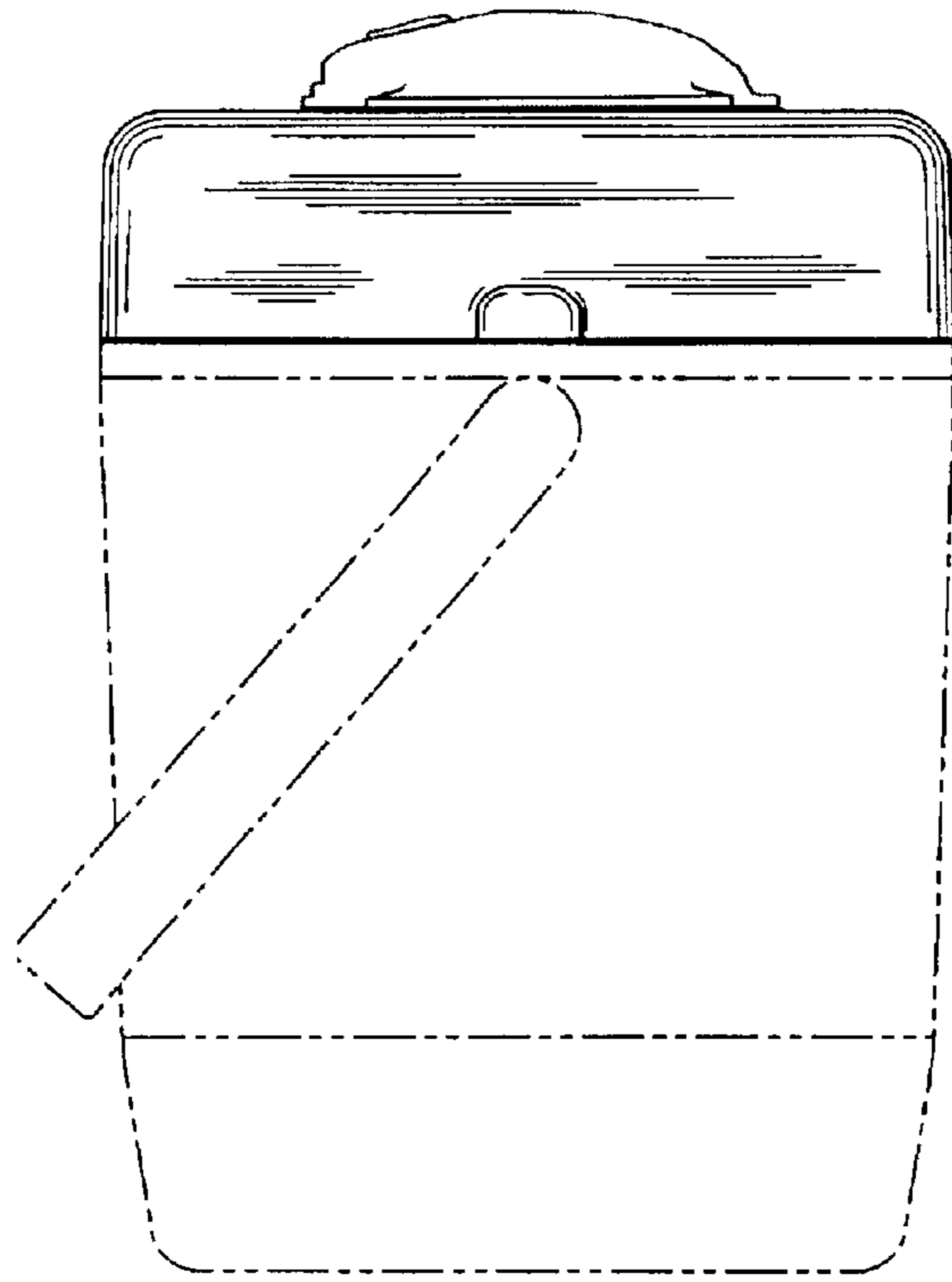


Fig. 5

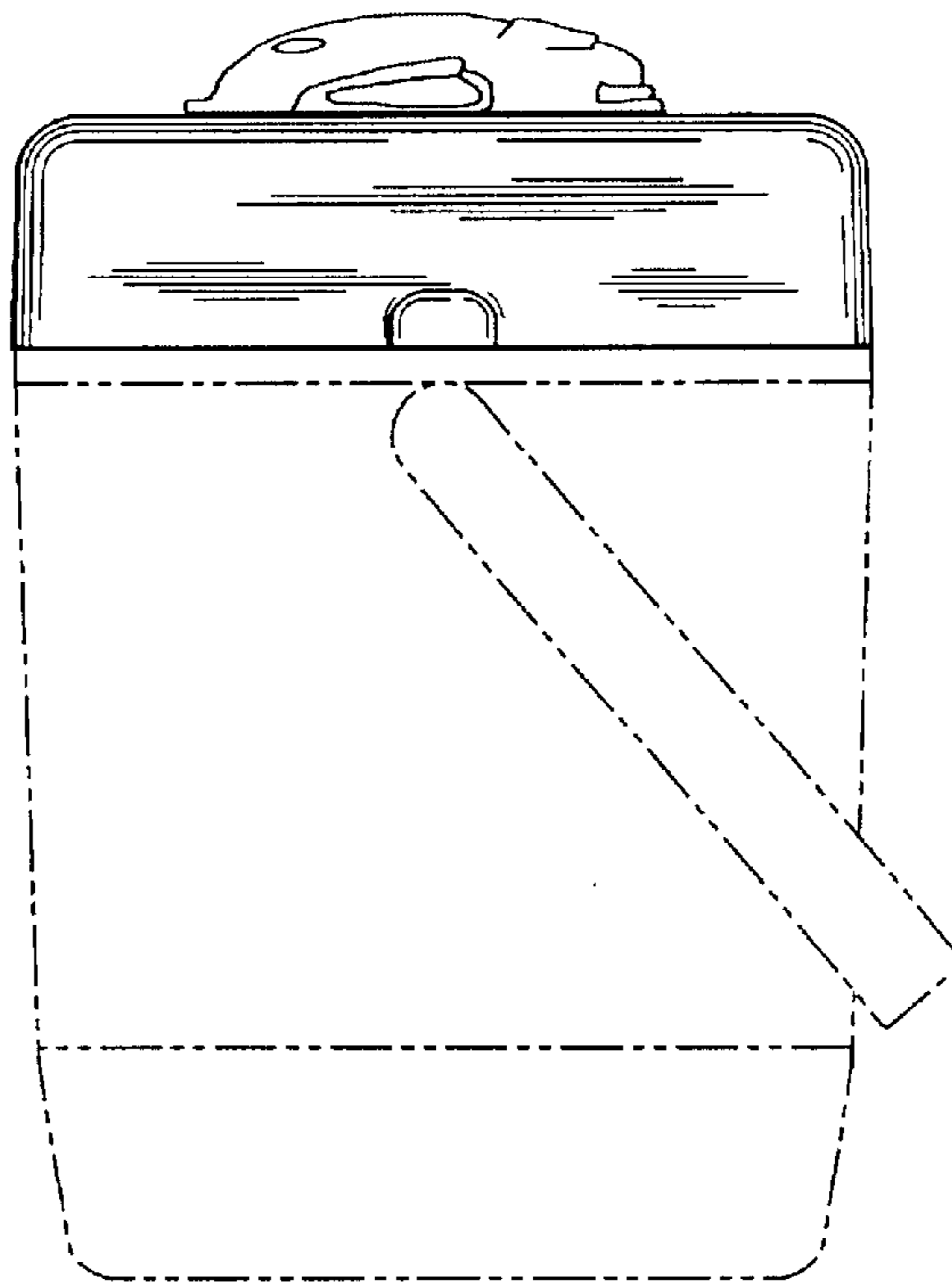


Fig. 6