



US00D467770S

(12) **United States Design Patent**  
**Blalock**

(10) **Patent No.:** **US D467,770 S**

(45) **Date of Patent:** **\*\* Dec. 31, 2002**

(54) **PORTABLE COOLER**

(76) Inventor: **Anthony L. Blalock**, 4607 Raleigh Rd.,  
Temple Hills, MD (US) 20748

(\*\*) Term: **14 Years**

(21) Appl. No.: **29/157,847**

(22) Filed: **Mar. 28, 2002**

(51) **LOC (7) Cl.** ..... **07-01**

(52) **U.S. Cl.** ..... **D7/605**

(58) **Field of Search** ..... D7/605-608; D34/12,  
D34/19, 24, 25; 62/457.1, 457.7, 371, 372;  
220/592.16, 592.2, 592.24-592.27, 915.1,  
915.2; 280/43.1, 43.24, 47.26, 47.34, 645,  
651, 652

(56) **References Cited**

**U.S. PATENT DOCUMENTS**

5,259,215 A \* 11/1993 Rocca ..... 62/371  
5,373,708 A \* 12/1994 Dumoulin ..... 62/457.7

D369,695 S \* 5/1996 Imotani ..... D7/605 X  
D415,658 S \* 10/1999 Frehse ..... D7/605  
D429,606 S \* 8/2000 Holub et al. .... D7/605

\* cited by examiner

*Primary Examiner*—Terry A. Wallace

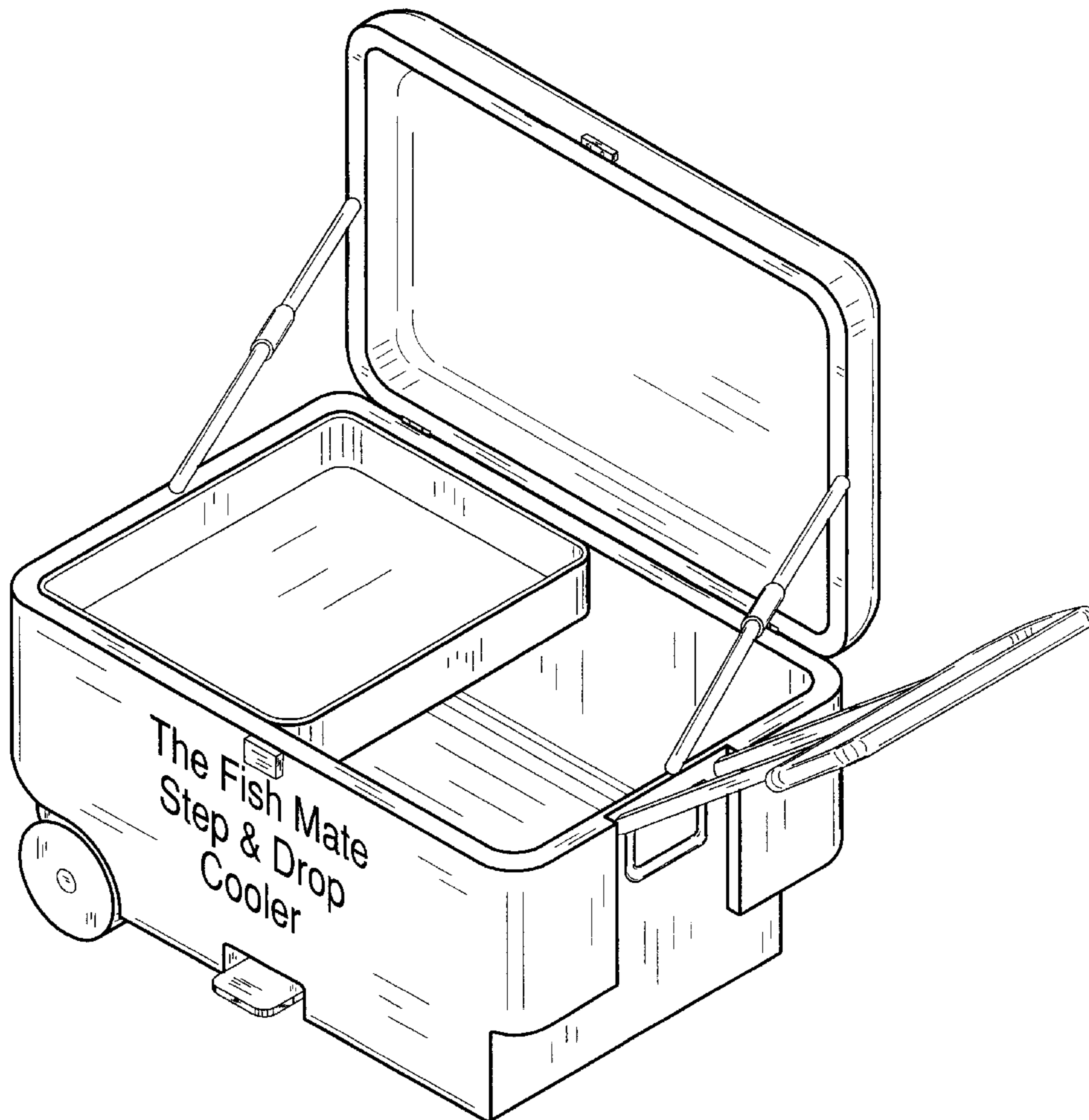
(57) **CLAIM**

The ornamental design for a portable cooler, as shown and described.

**DESCRIPTION**

FIG. 1 is a front elevation view of a portable cooler showing my new design;  
FIG. 2 is a rear elevation view thereof;  
FIG. 3 is a left side elevation view thereof;  
FIG. 4 is a right side elevation view thereof;  
FIG. 5 is a top plan view thereof;  
FIG. 6 is a bottom plan view thereof; and,  
FIG. 7 is a top perspective view thereof in an open position.

**1 Claim, 5 Drawing Sheets**



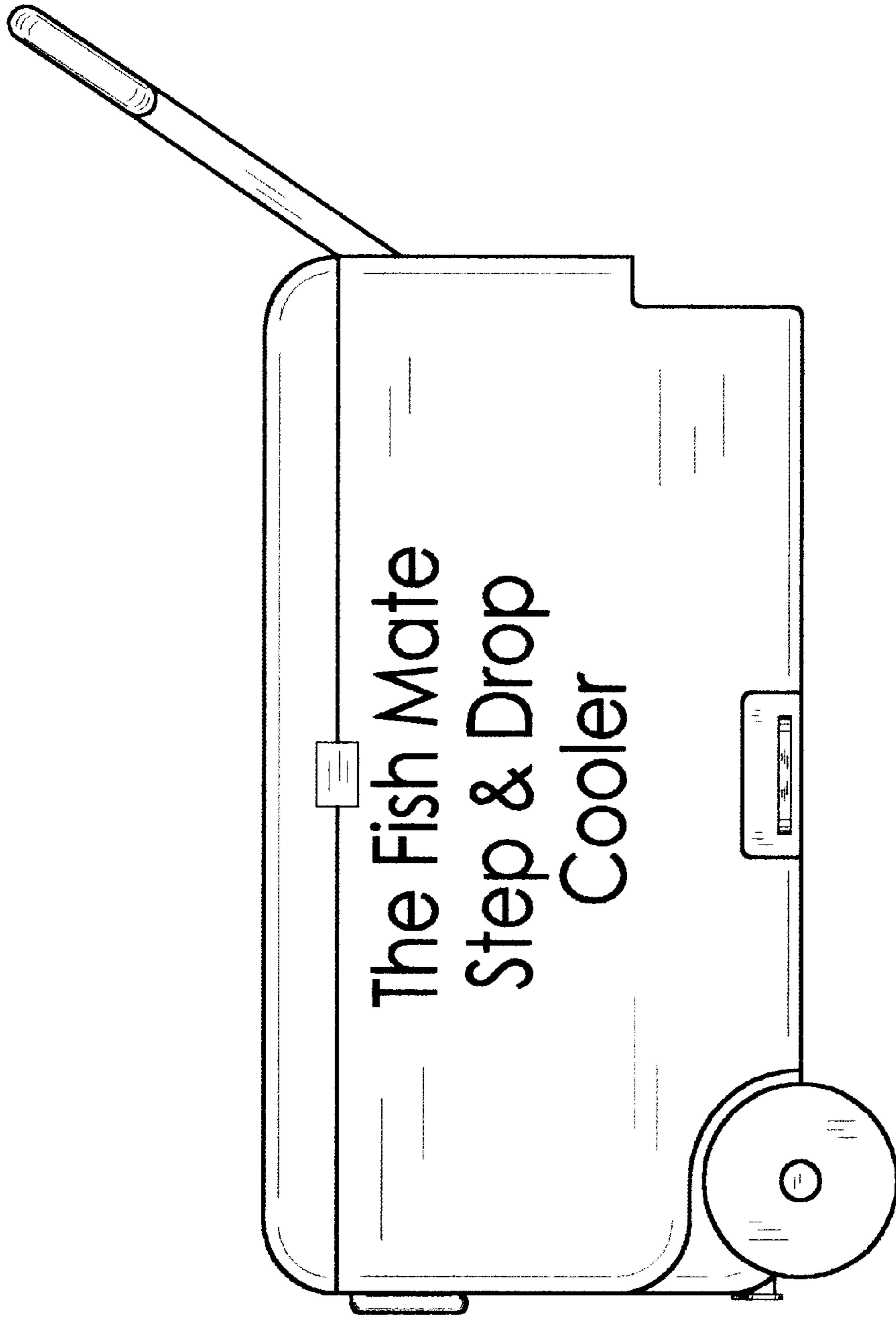


FIG. 1

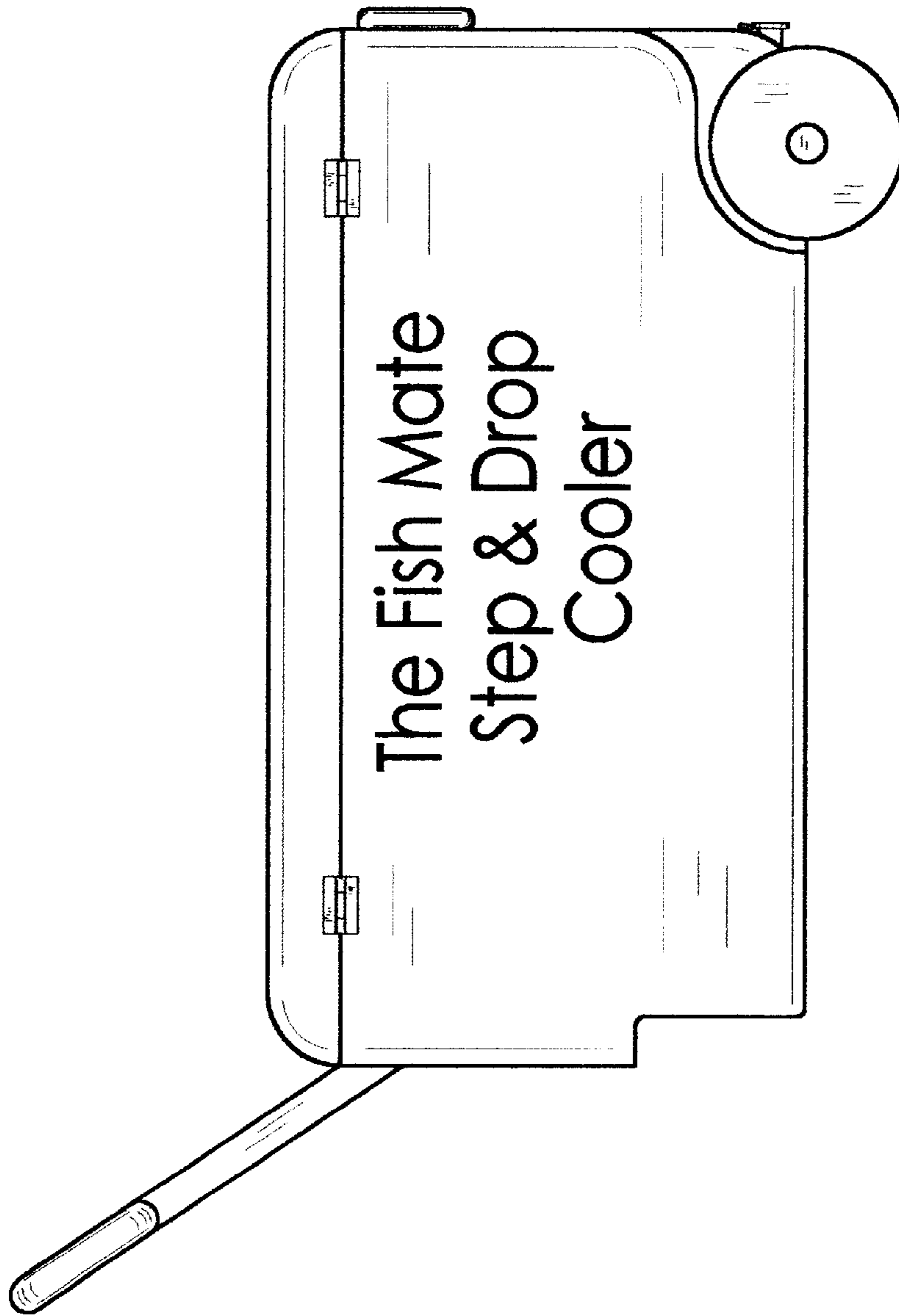


FIG. 2

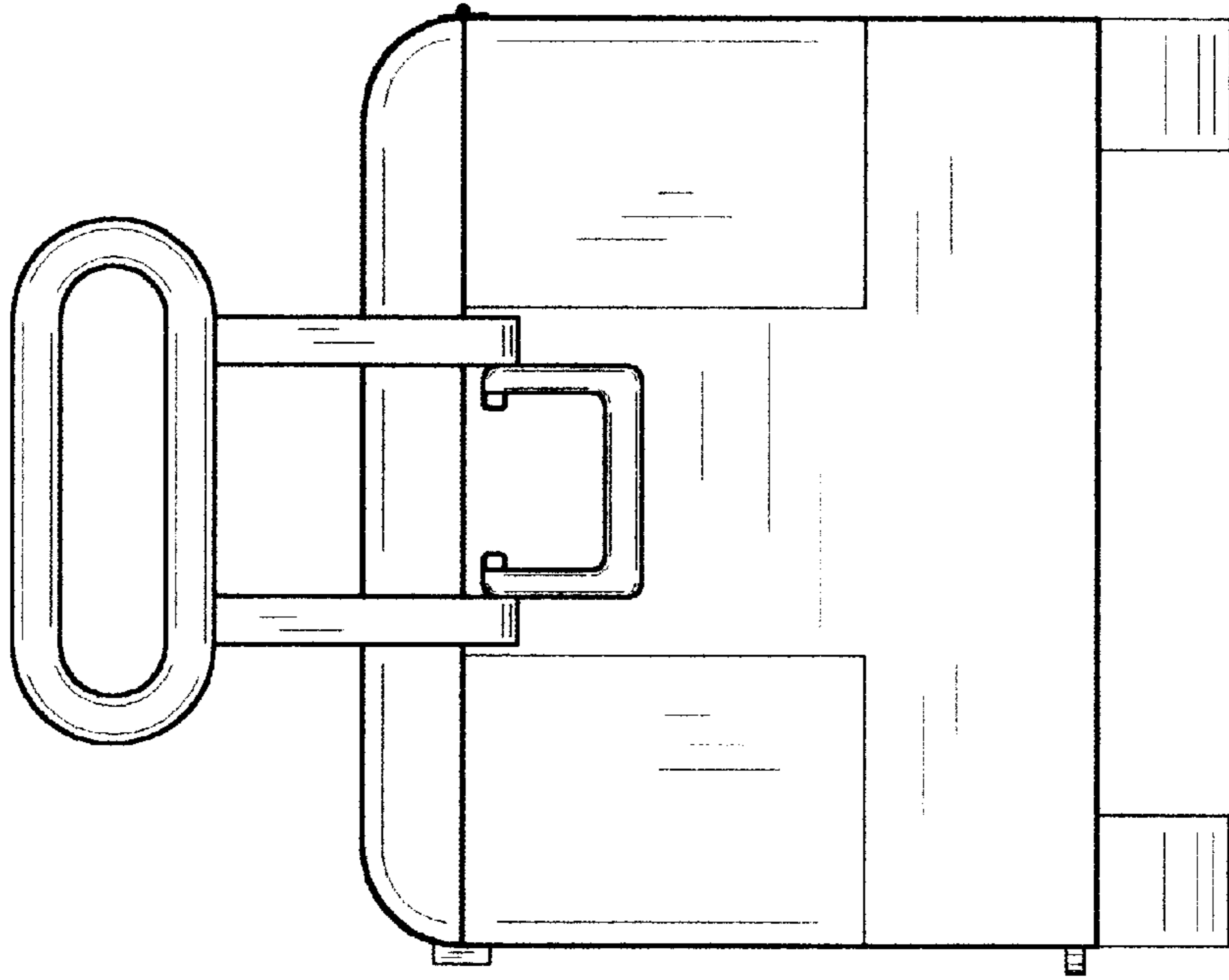


FIG. 3

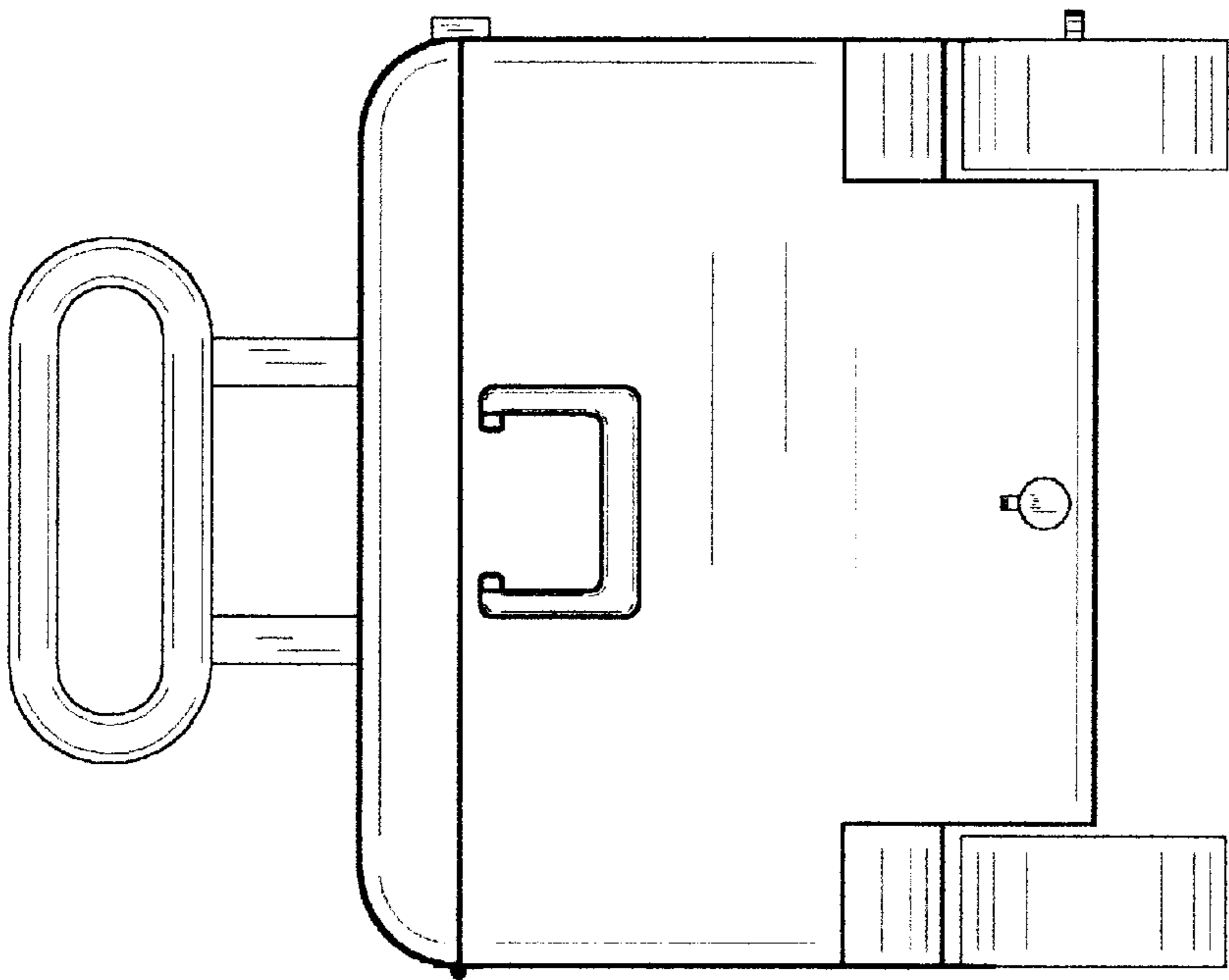


FIG. 4

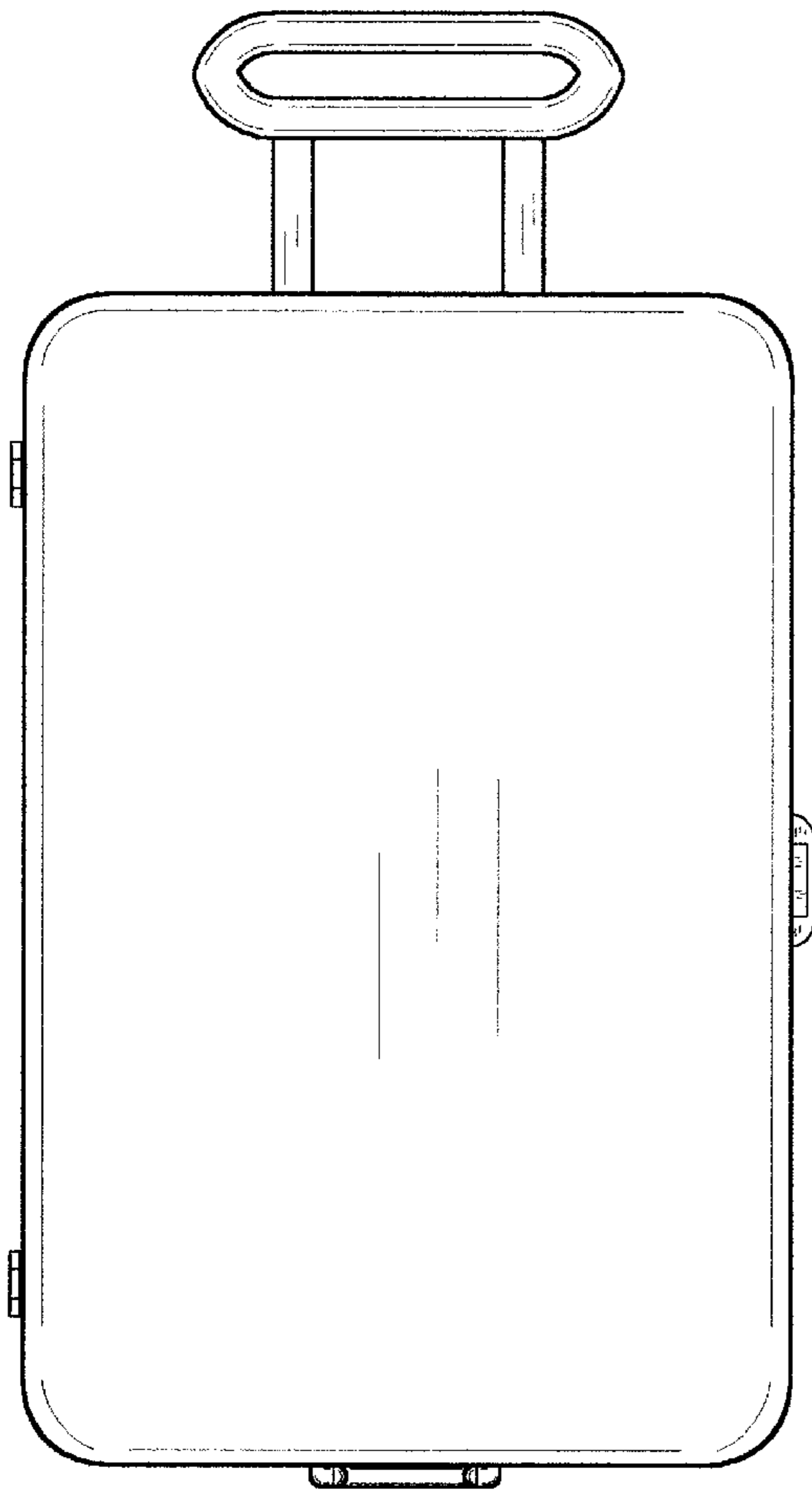


FIG. 5

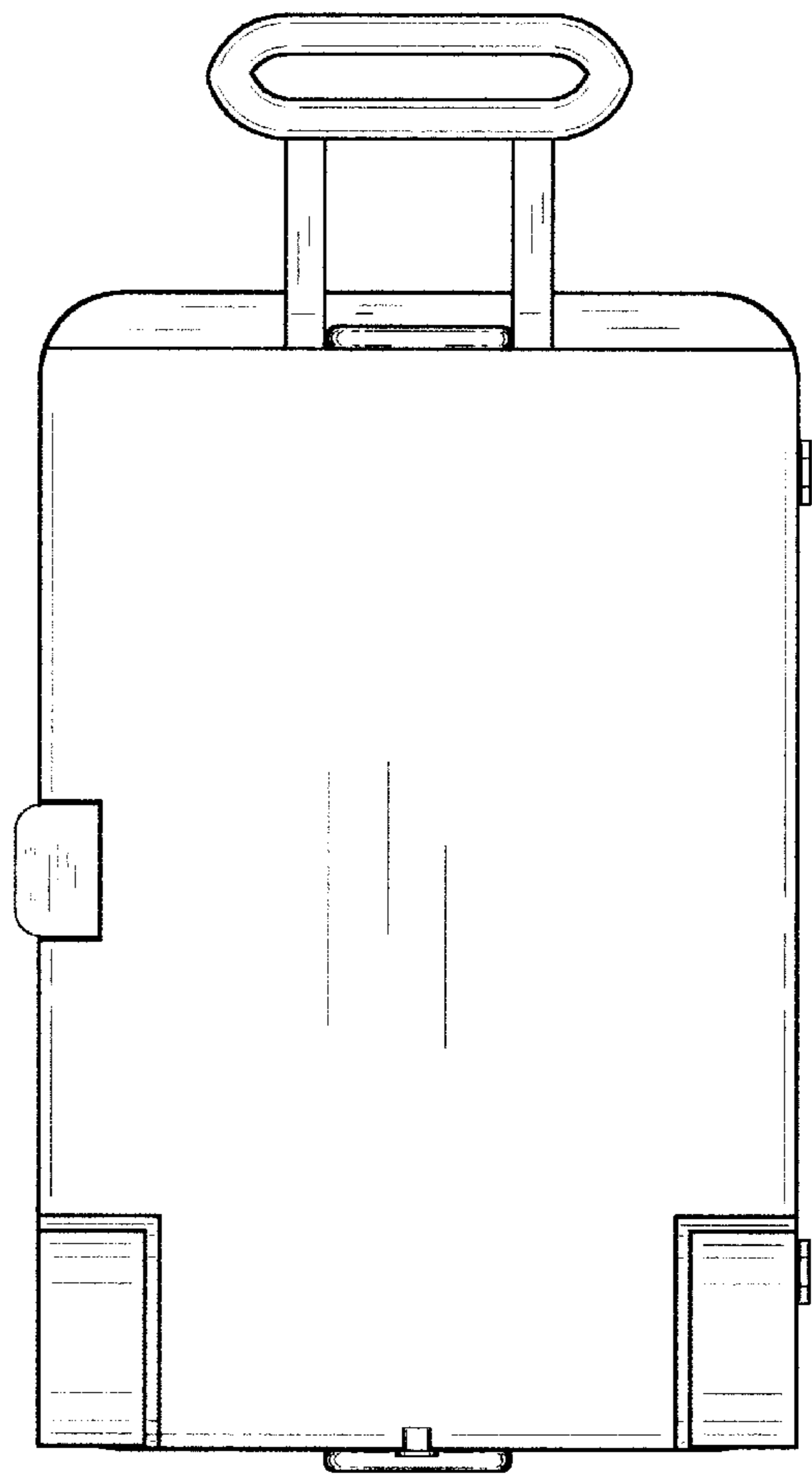


FIG. 6

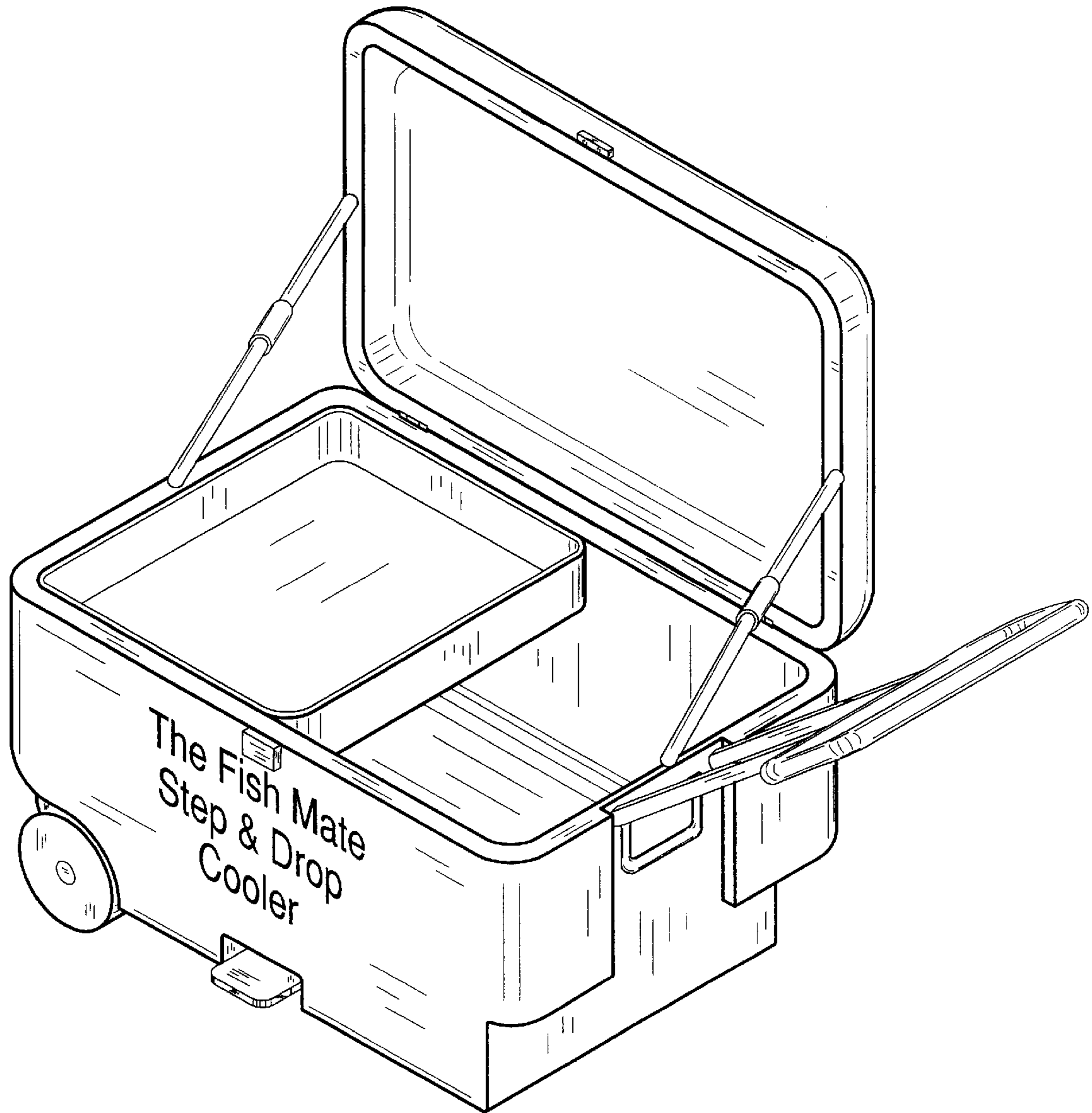


FIG. 7