



US00D467769S

(12) **United States Design Patent**  
**Riendeau**

(10) **Patent No.:** **US D467,769 S**

(45) **Date of Patent:** **\*\* Dec. 31, 2002**

(54) **ADJUSTABLE LIQUID DISPENSING VALVE**

D410,845 S \* 6/1999 Anderson ..... D9/447

(76) **Inventor:** **Calvin Riendeau**, 3682 Caldwell Street,  
Nanaimo, British Columbia (CA), V9T  
3X6

\* cited by examiner

(\*\*) **Term:** **14 Years**

*Primary Examiner*—Dominic Simone  
(74) *Attorney, Agent, or Firm*—Oyen Wiggs Green &  
Mutala

(21) **Appl. No.:** **29/148,880**

(22) **Filed:** **Sep. 27, 2001**

(57) **CLAIM**

The ornamental design for a adjustable liquid dispensing valve, as shown and described.

(30) **Foreign Application Priority Data**

**DESCRIPTION**

Apr. 26, 2001 (CA) ..... 2001-1090

(51) **LOC (7) Cl.** ..... **02-07**

(52) **U.S. Cl.** ..... **D7/447; D9/449; D9/450**

(58) **Field of Search** ..... D9/434, 435, 447,  
D9/449, 450, 452, 499; 220/288; 222/519

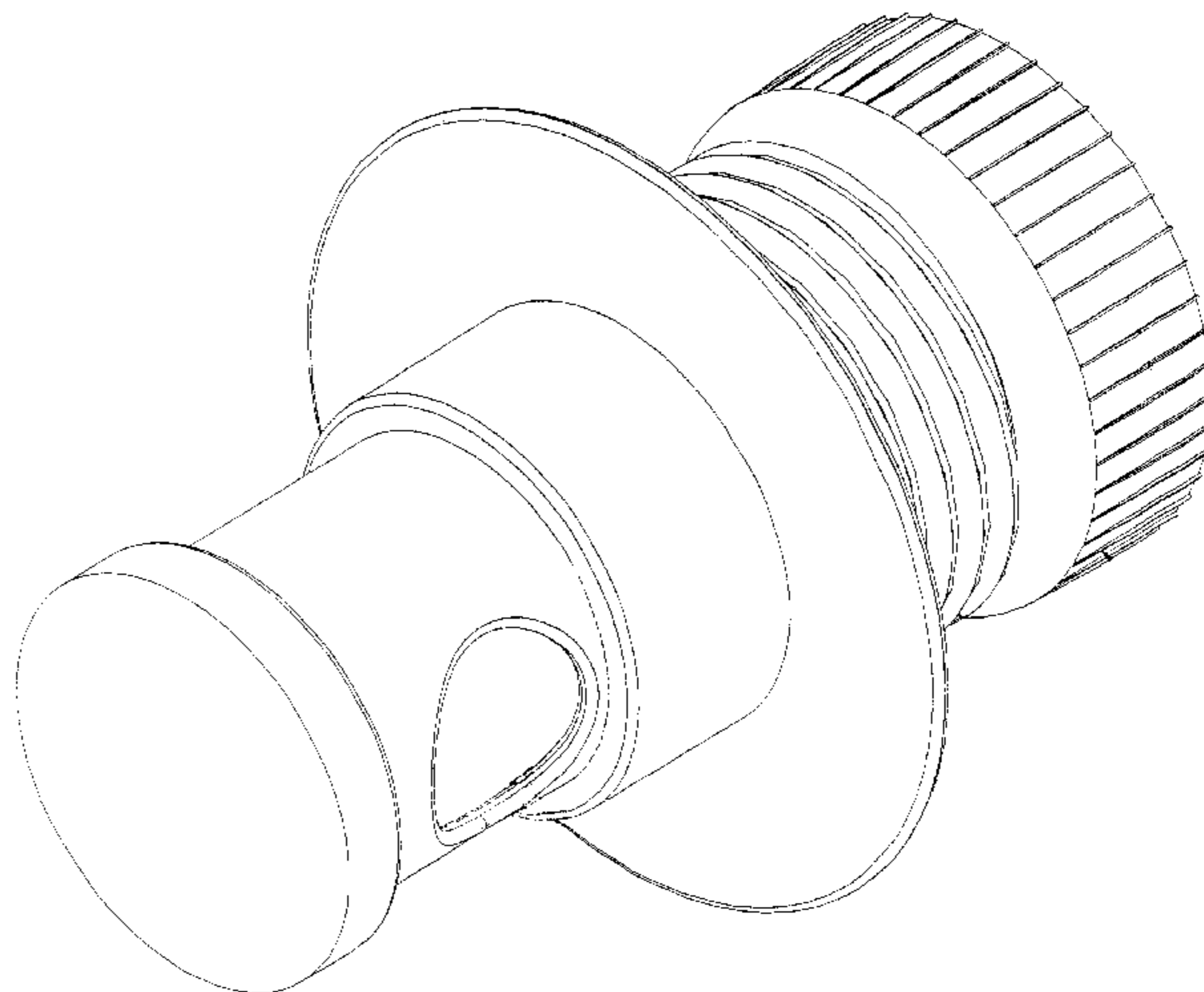
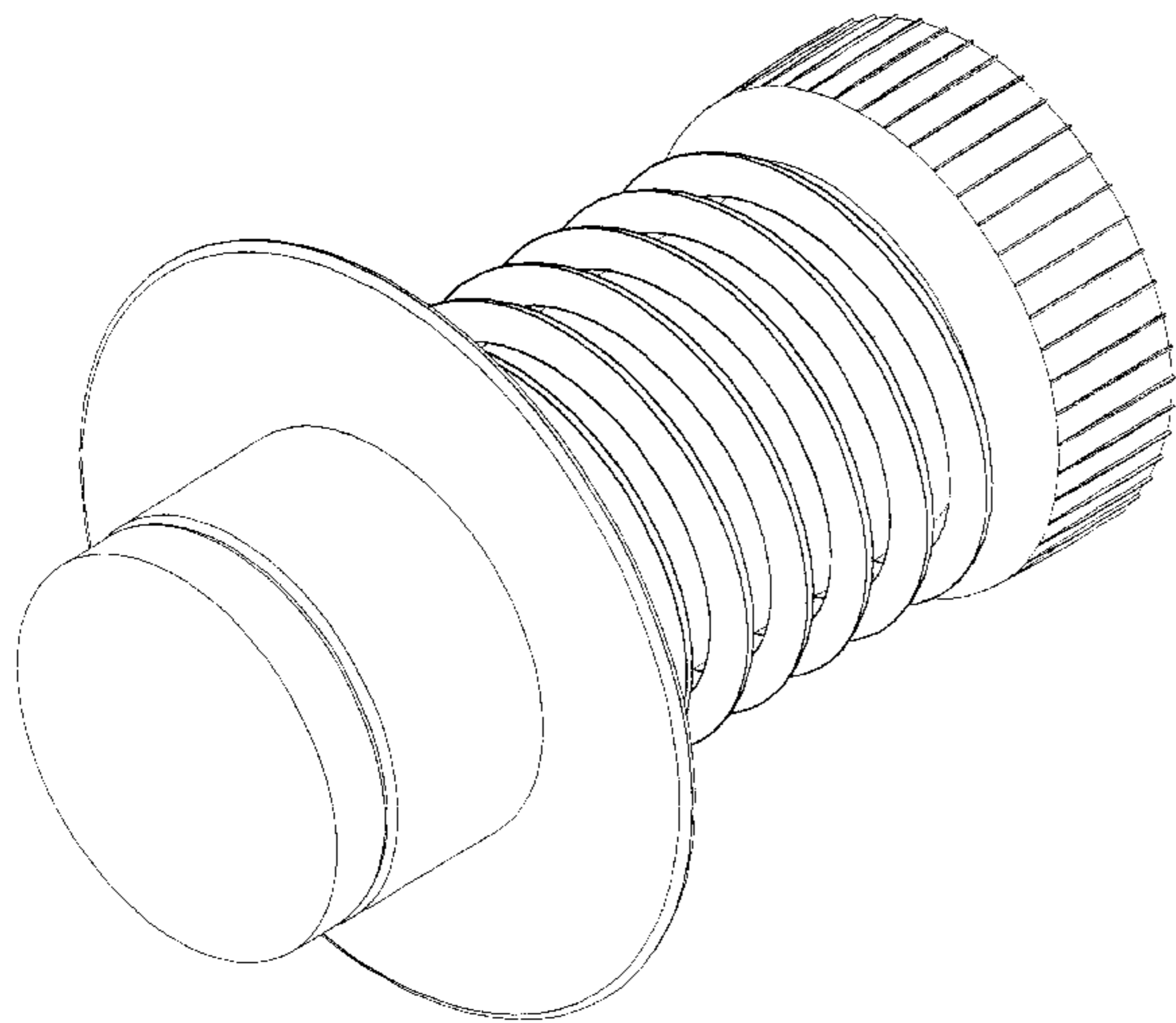
FIG. 1 is a front perspective view of the applicant's adjustable liquid dispensing valve in its closed position;  
FIG. 2 is a rear perspective view thereof;  
FIG. 3 is a top plan view thereof;  
FIG. 4 is a bottom plan view thereof;  
FIG. 5 is a right side elevational view thereof;  
FIG. 6 is a left side elevational view thereof;  
FIG. 7 is a front elevational view thereof;  
FIG. 8 is a rear elevational view thereof;  
FIG. 9 is a front perspective of the applicant's adjustable liquid dispensing valve in its open position;  
FIG. 10 is a rear perspective view thereof;  
FIG. 11 is a top plan view thereof;  
FIG. 12 is a right side elevational view thereof;  
FIG. 13 is a left side elevational view thereof;  
FIG. 14 is front perspective exploded view of the applicant's adjustable liquid dispensing valve; and,  
FIG. 15 is a front perspective view showing the applicant's adjustable liquid dispensing valve in the closed position connected to a liquid container shown in dotted outline as environment.

(56) **References Cited**

**U.S. PATENT DOCUMENTS**

- D130,603 S \* 12/1941 Pullen ..... D9/447
- 2,346,181 A \* 4/1944 Overend ..... 220/288
- 2,379,853 A \* 7/1945 Smith ..... 222/519
- 2,721,004 A \* 10/1955 Schultz ..... 222/519
- 3,197,090 A \* 7/1965 Wallace ..... 222/519
- 4,014,472 A 3/1977 Bennett
- 4,421,297 A 12/1983 Pongrass et al.
- D284,553 S \* 7/1986 Collister ..... D9/435
- D286,506 S \* 11/1986 Poore et al. .... D9/447 X
- D324,175 S \* 2/1992 Beck ..... D9/449
- 5,085,258 A 2/1992 Fink, Jr. et al.
- 5,240,155 A \* 8/1993 Mueller et al. .... 222/519
- 5,645,116 A 7/1997 McDonald
- D407,977 S \* 4/1999 Farris ..... D9/447

**1 Claim, 15 Drawing Sheets**



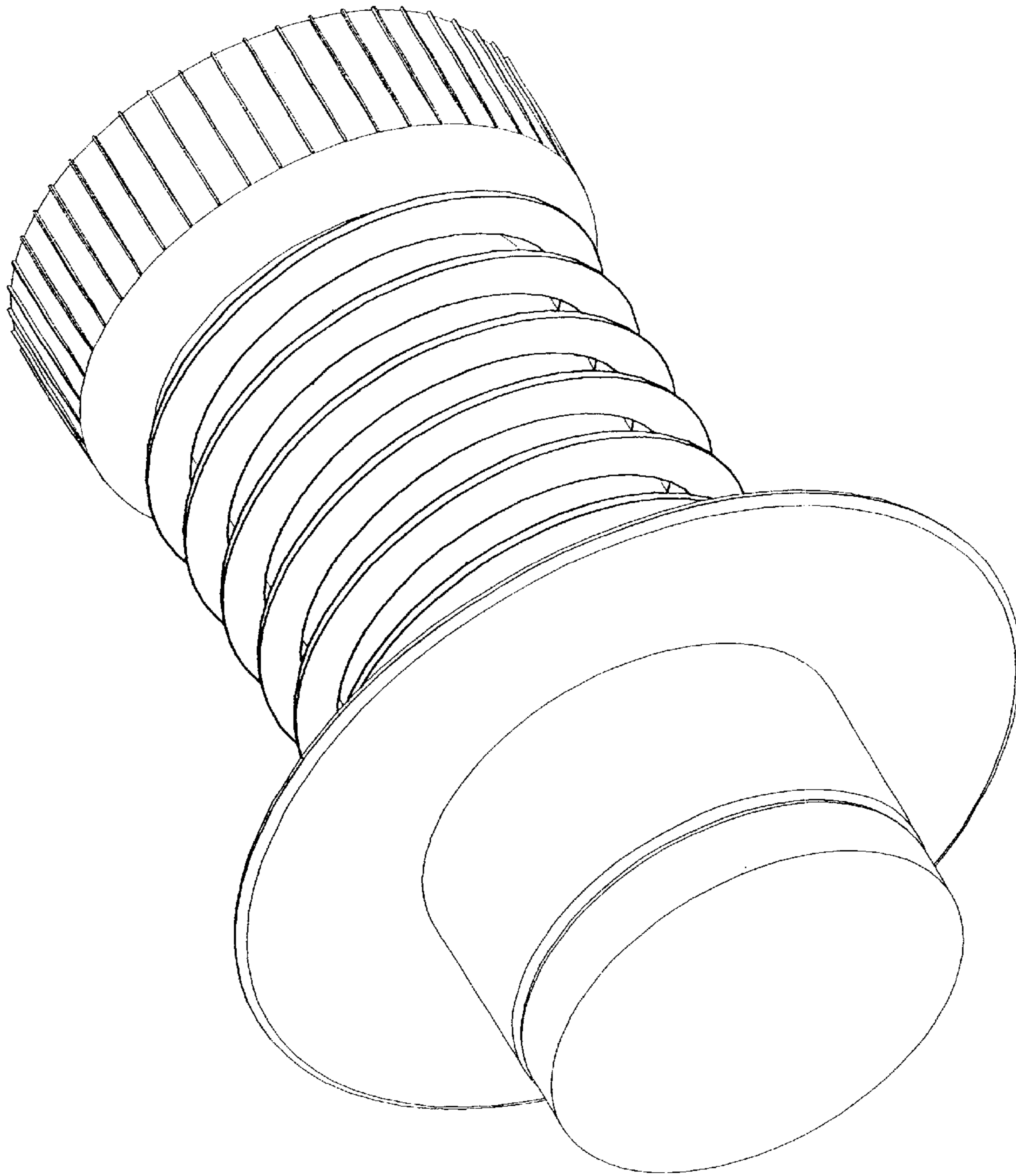


FIGURE 1

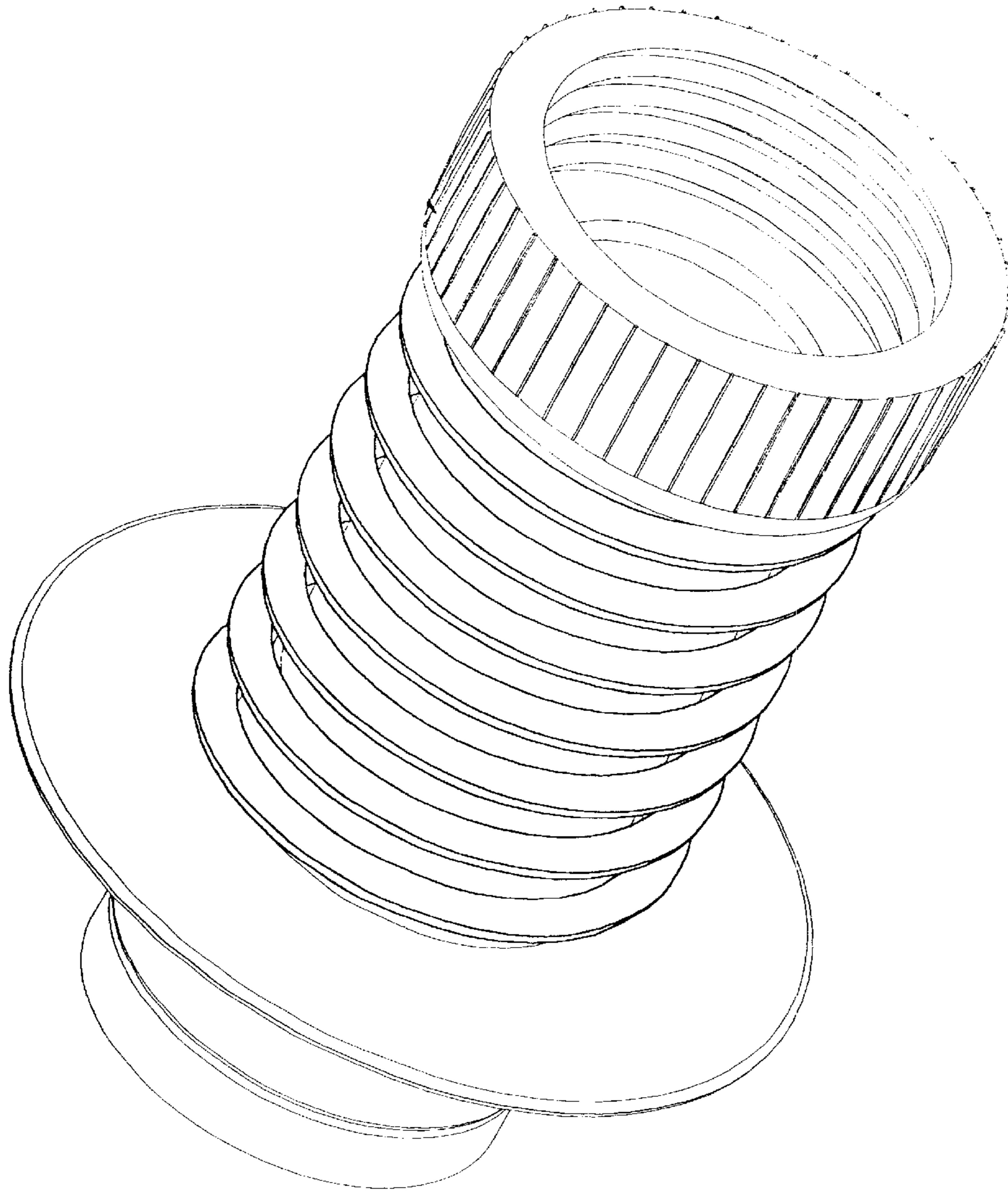


FIGURE 2

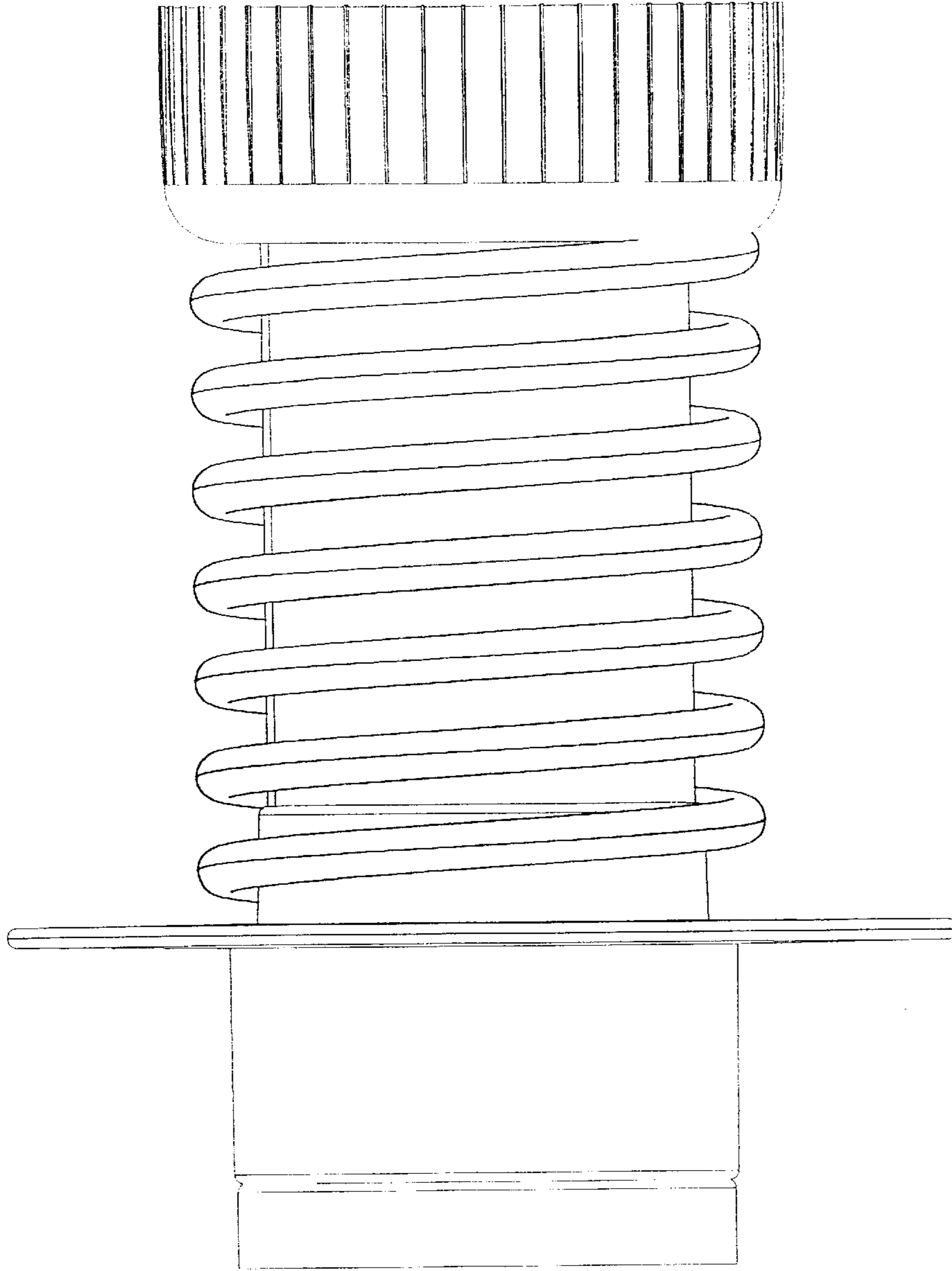


FIGURE 3



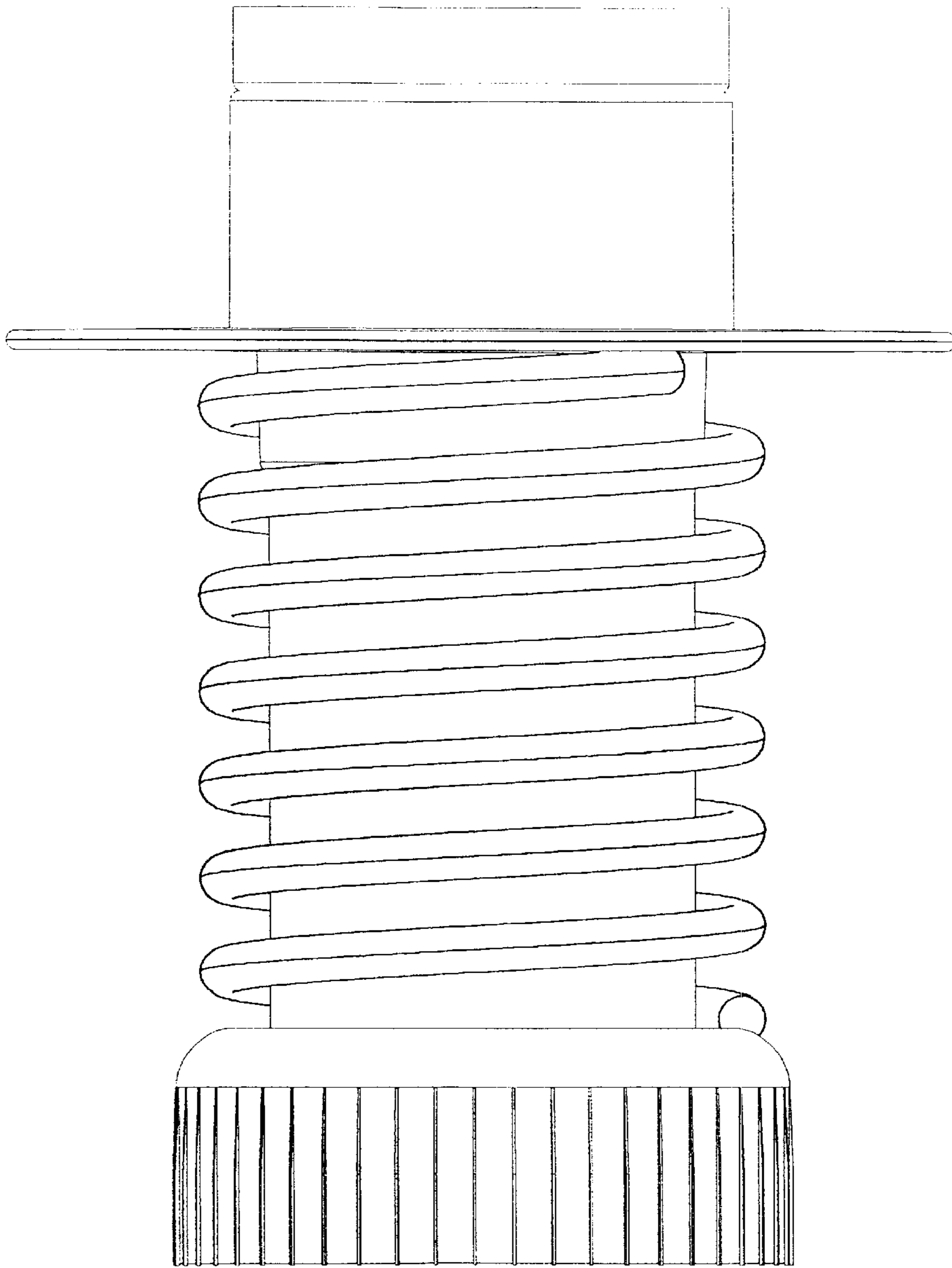


FIGURE 4

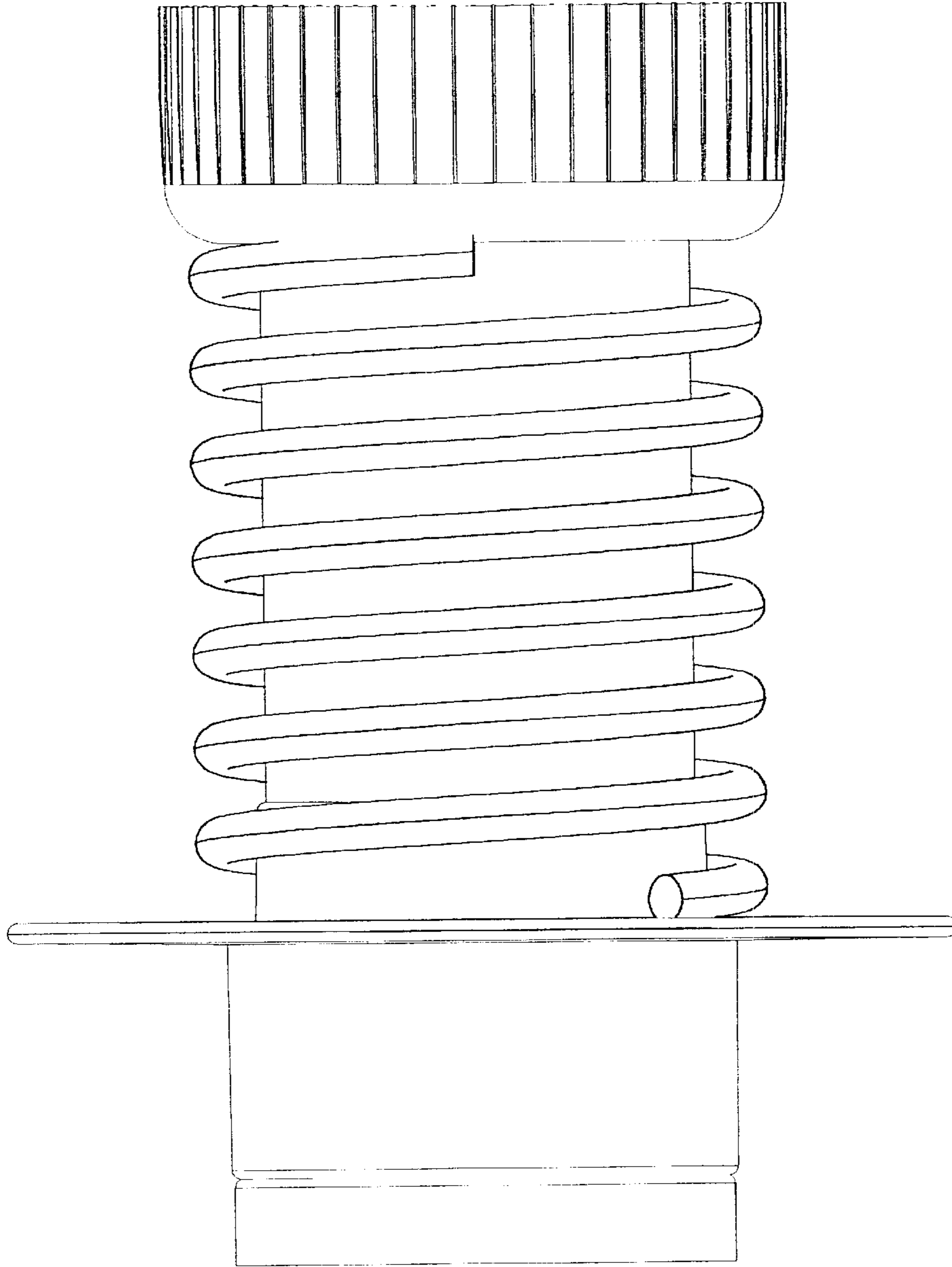


FIGURE 5

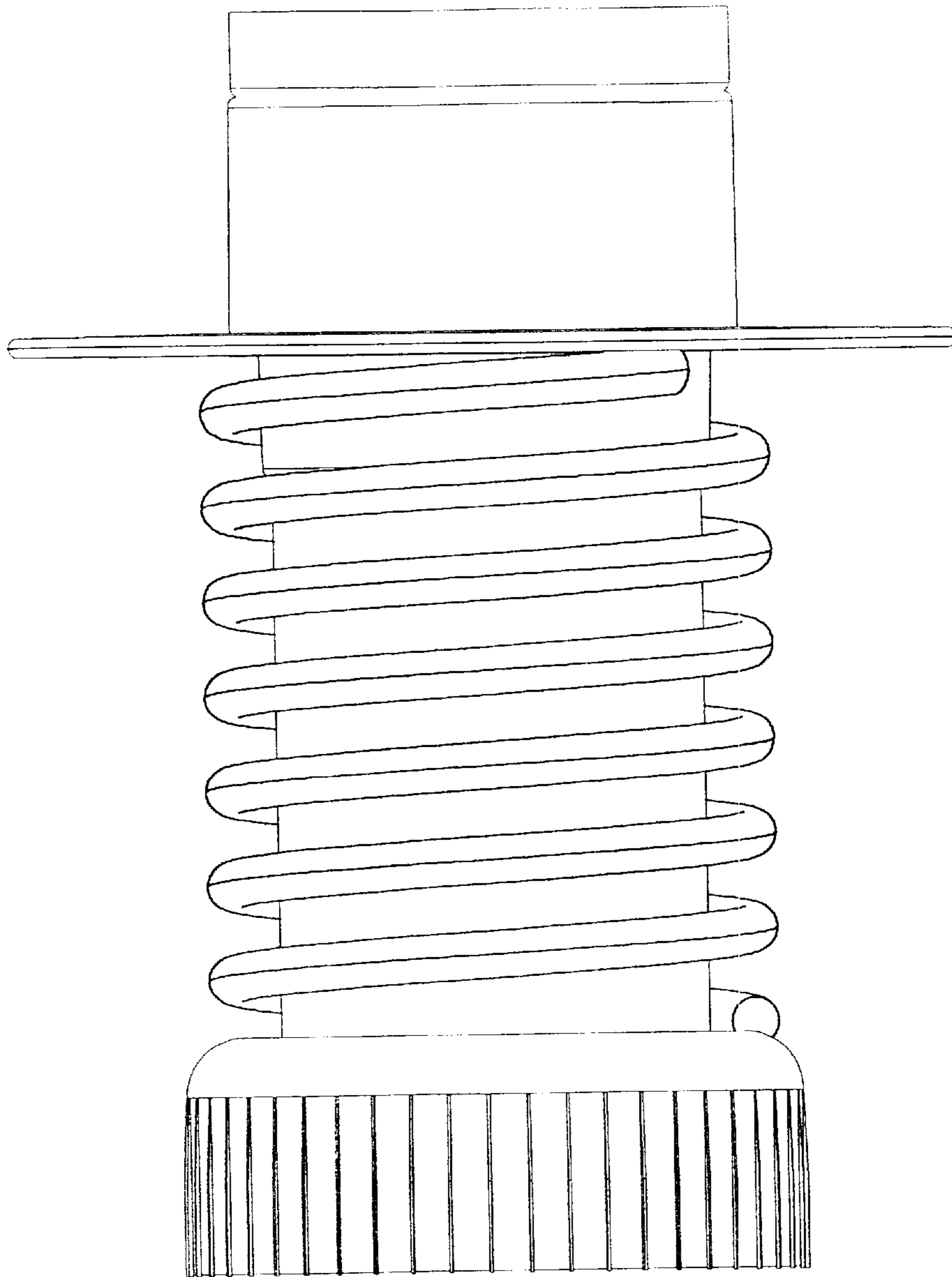


FIGURE 6

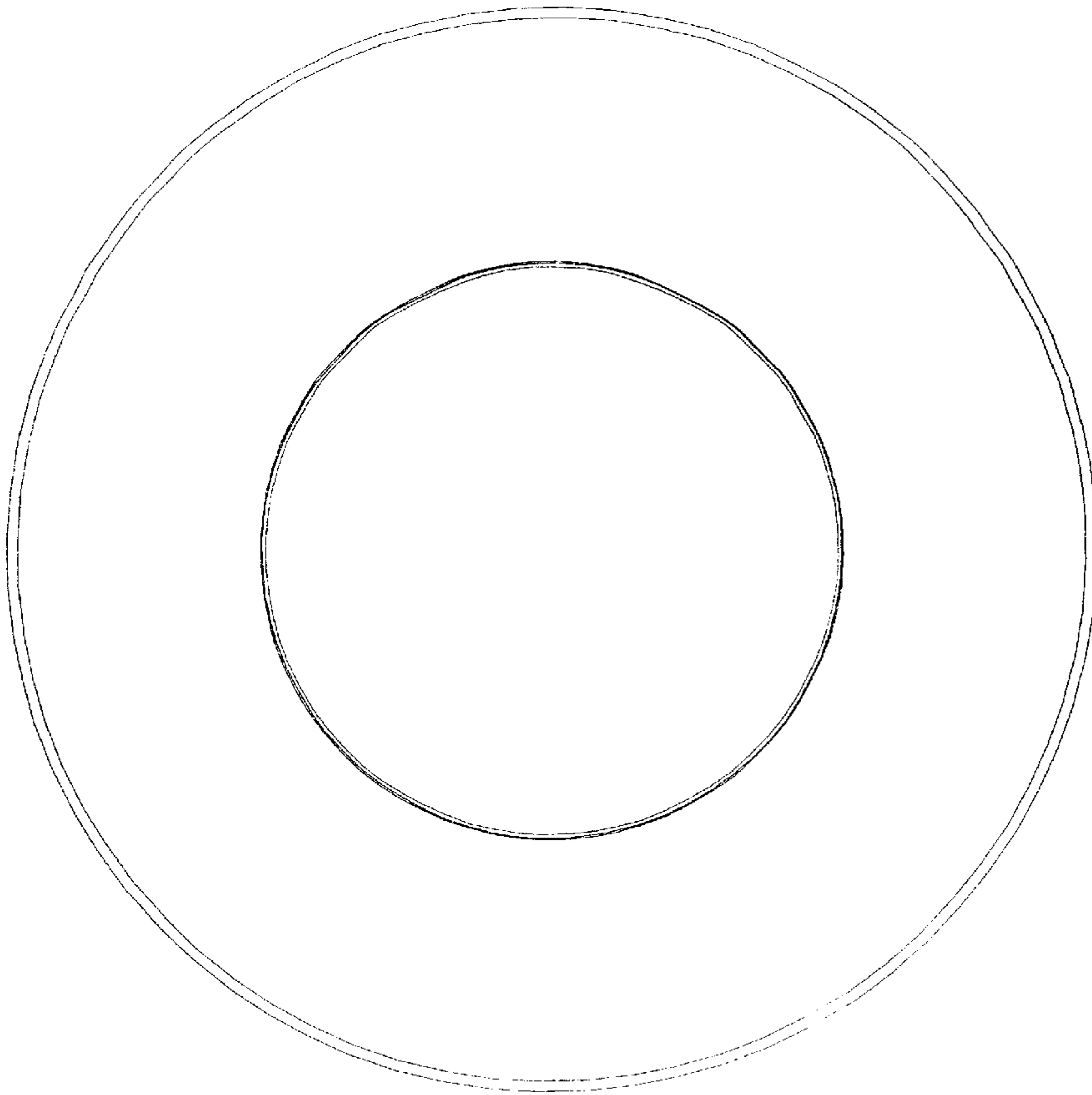


FIGURE 7



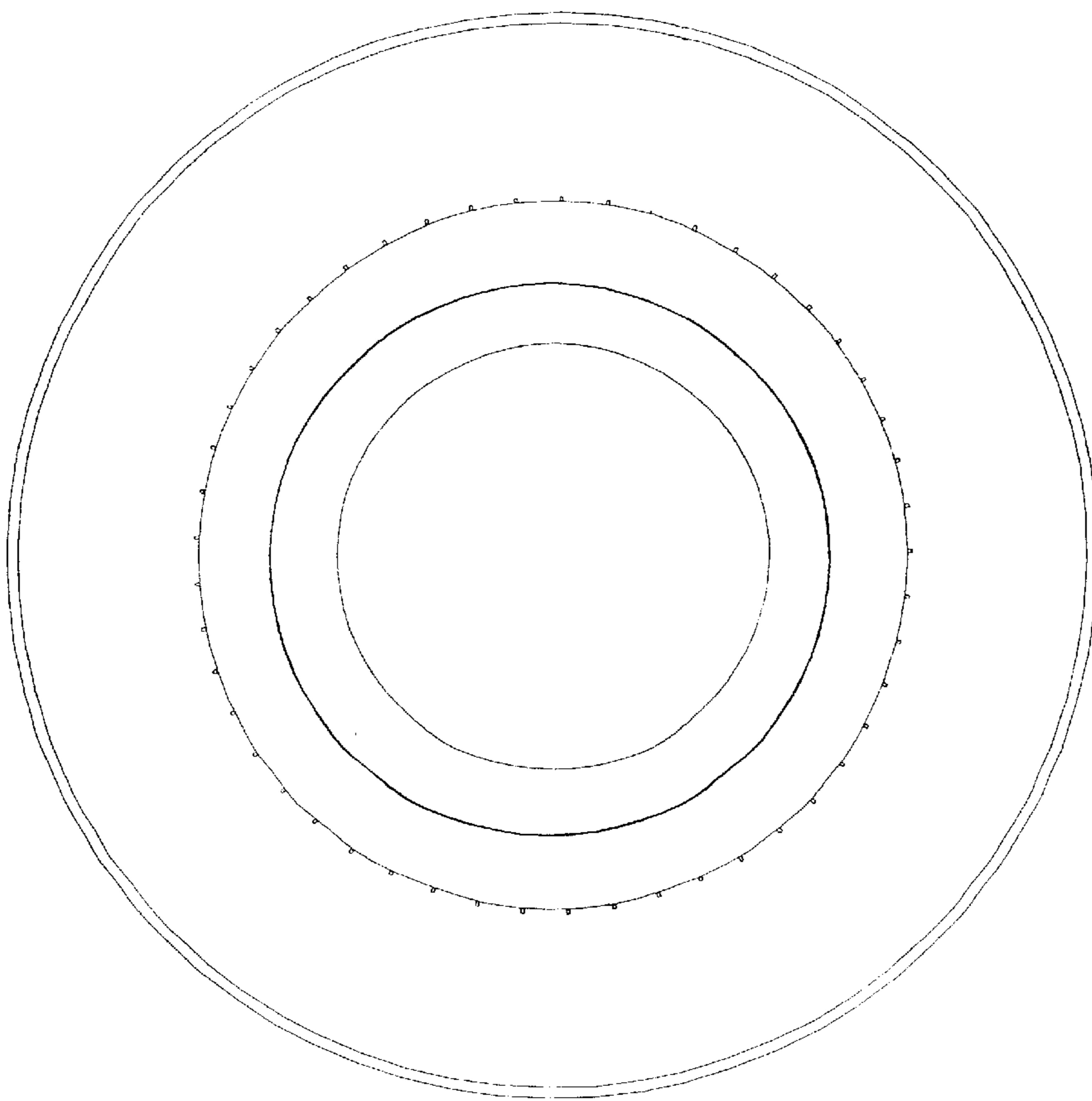


FIGURE 8

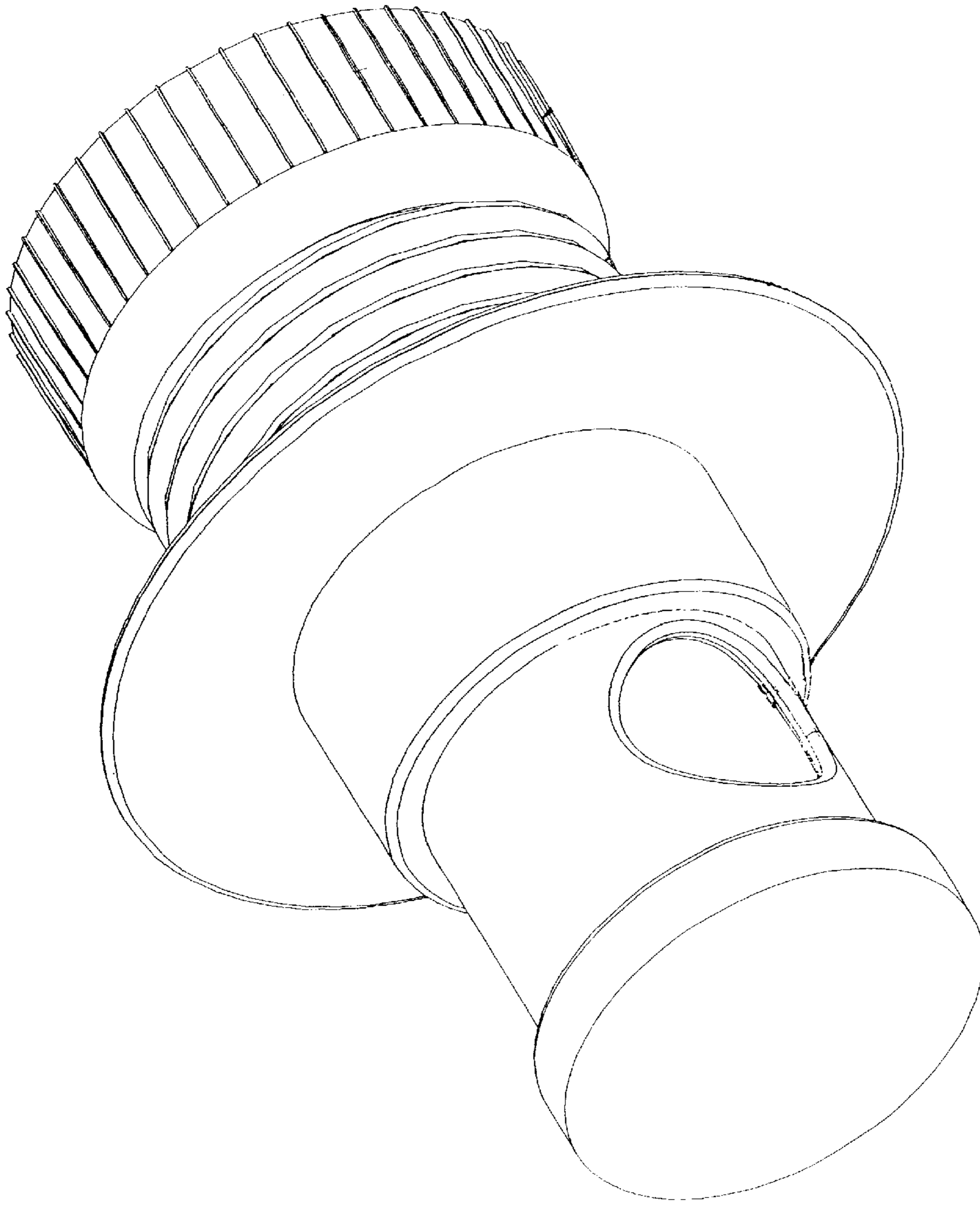


FIGURE 9

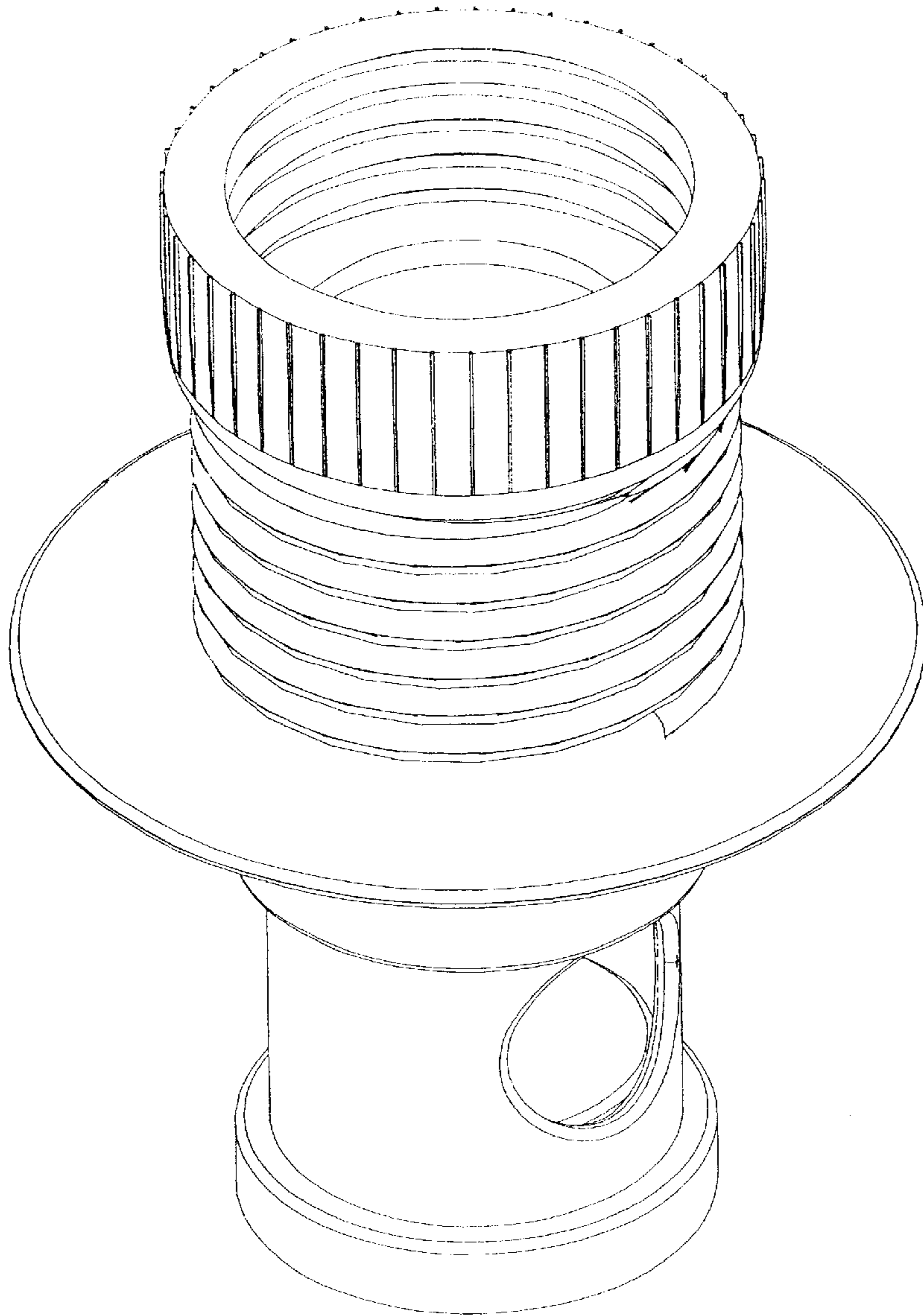


FIGURE 10

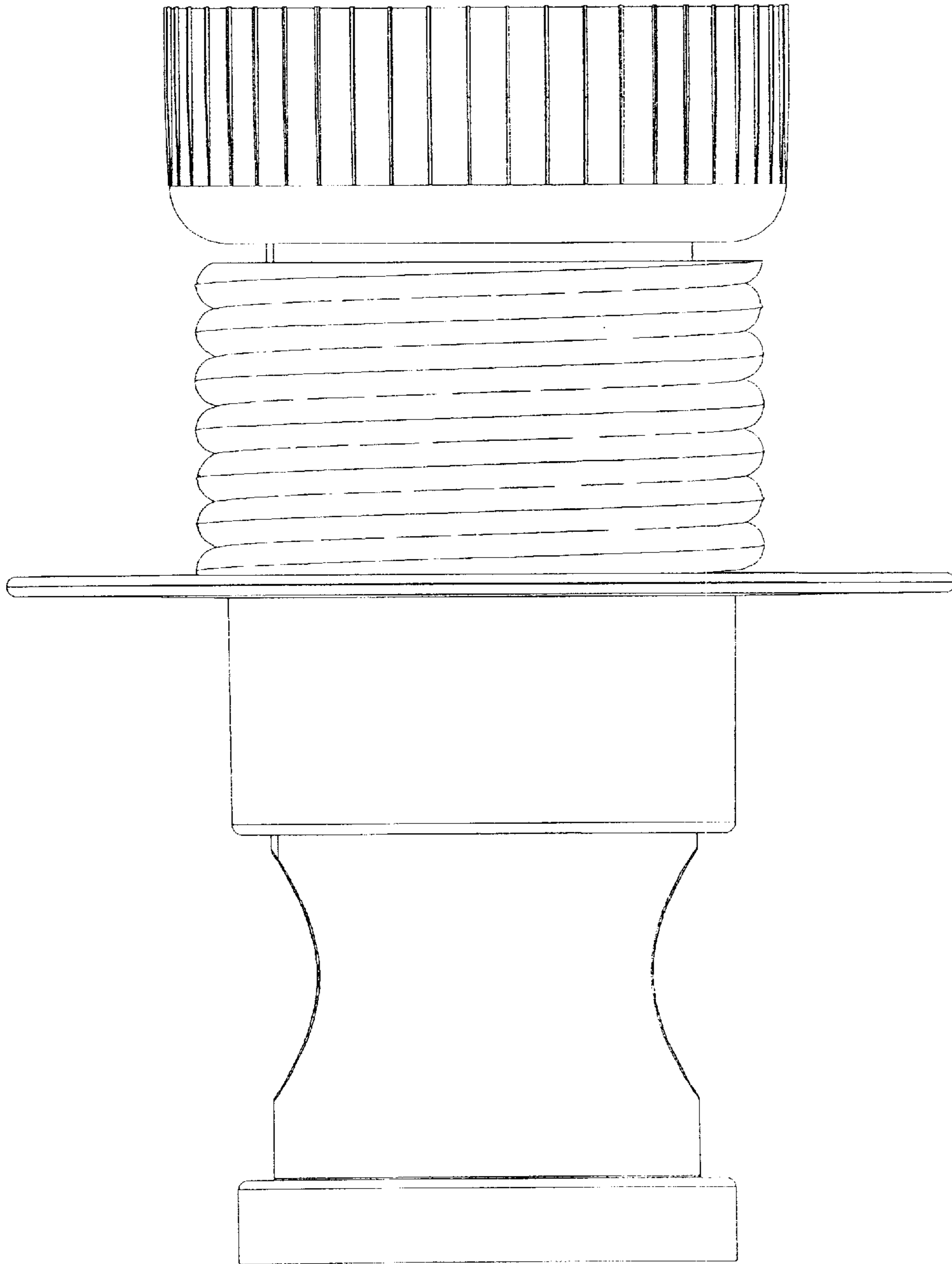


FIGURE 11

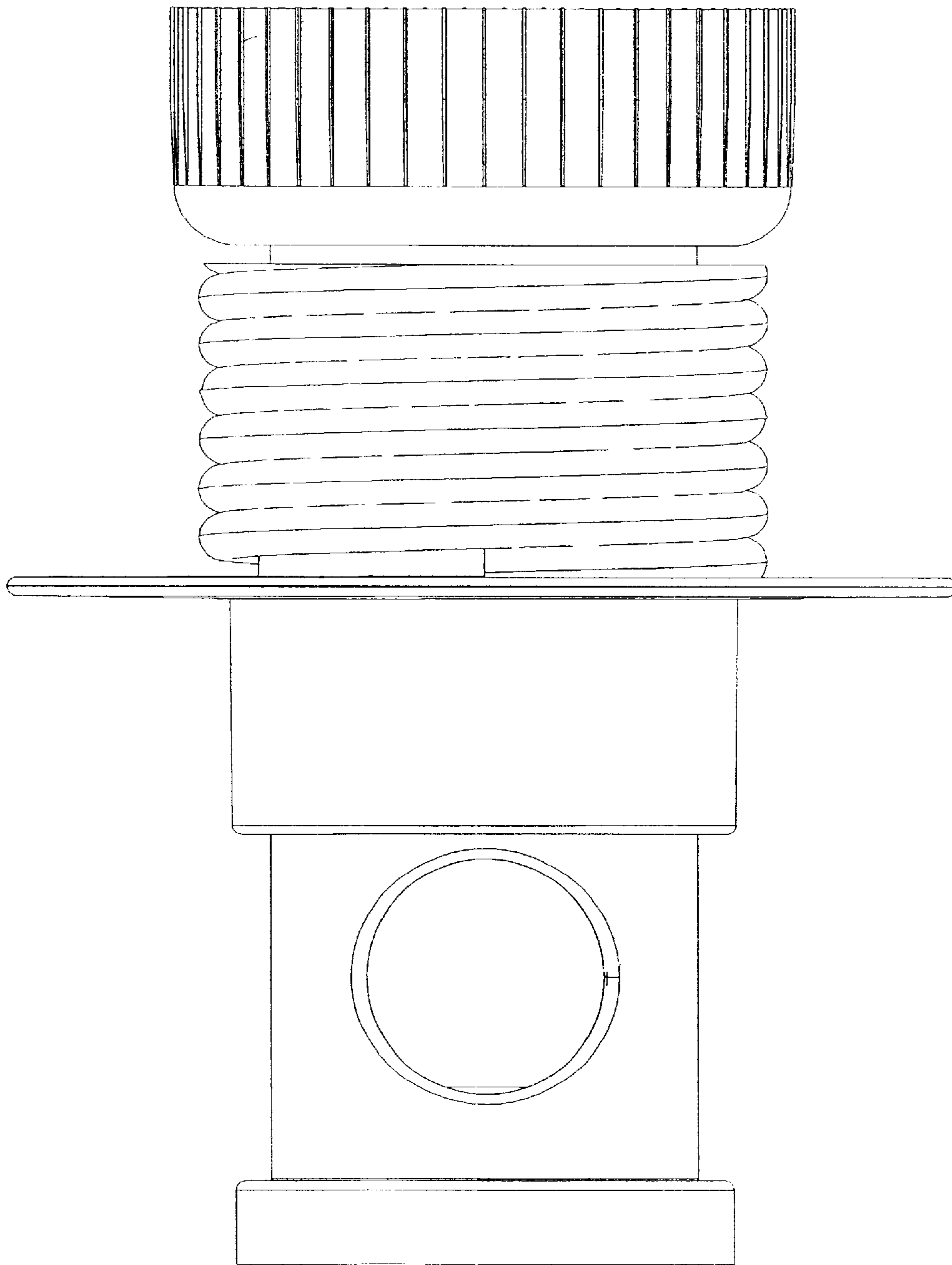


FIGURE 12



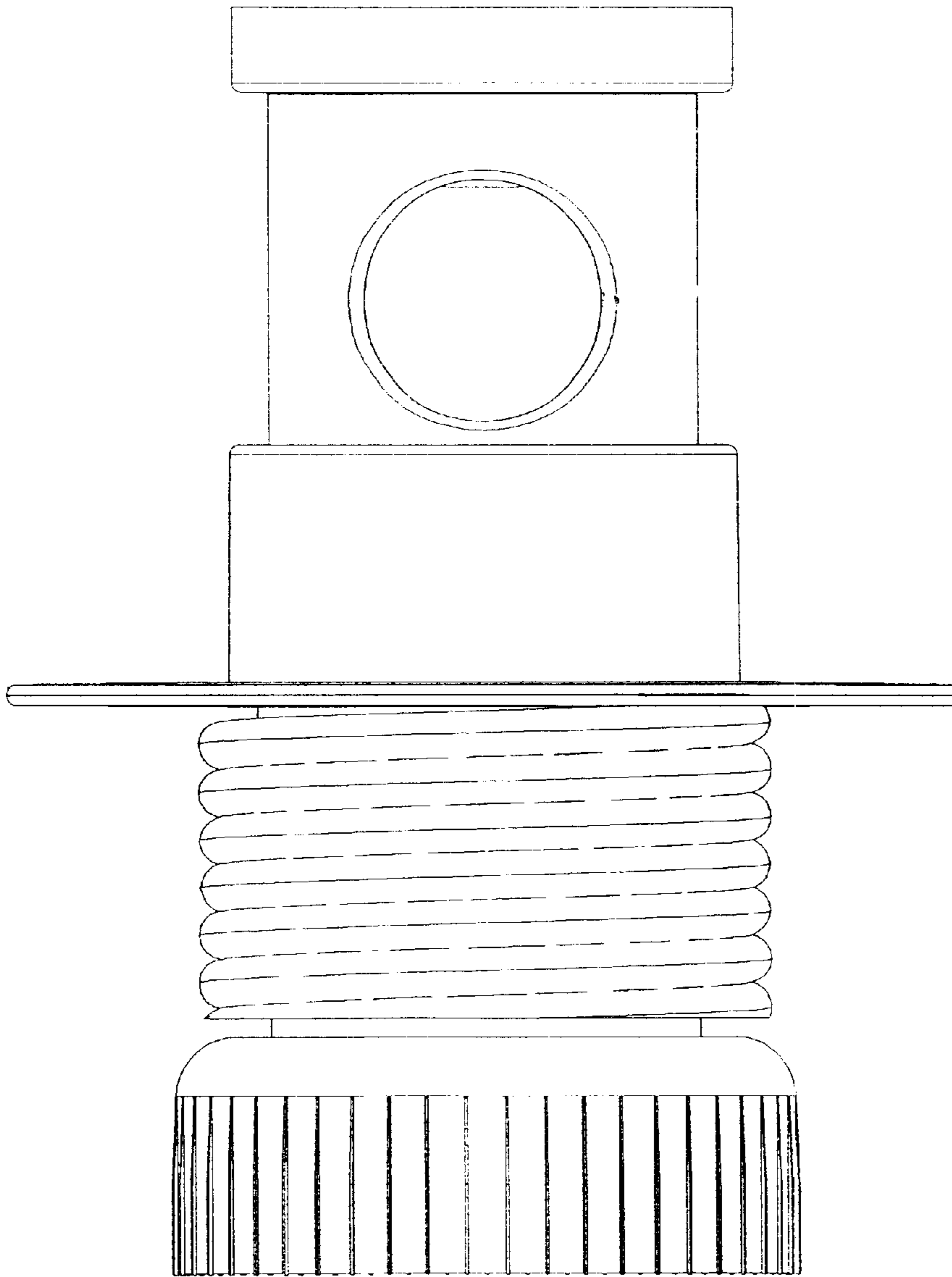
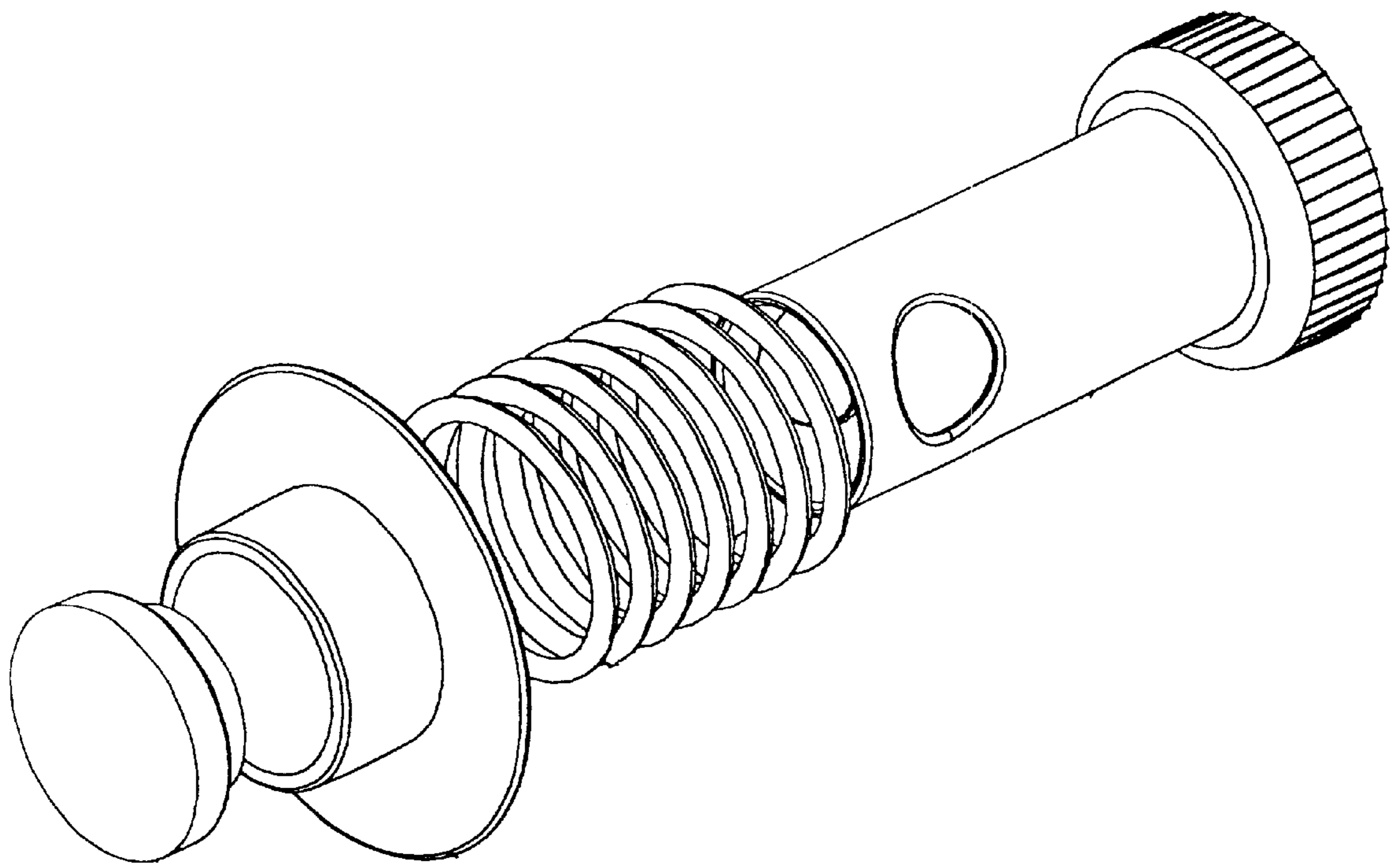


FIGURE 13

FIGURE 14



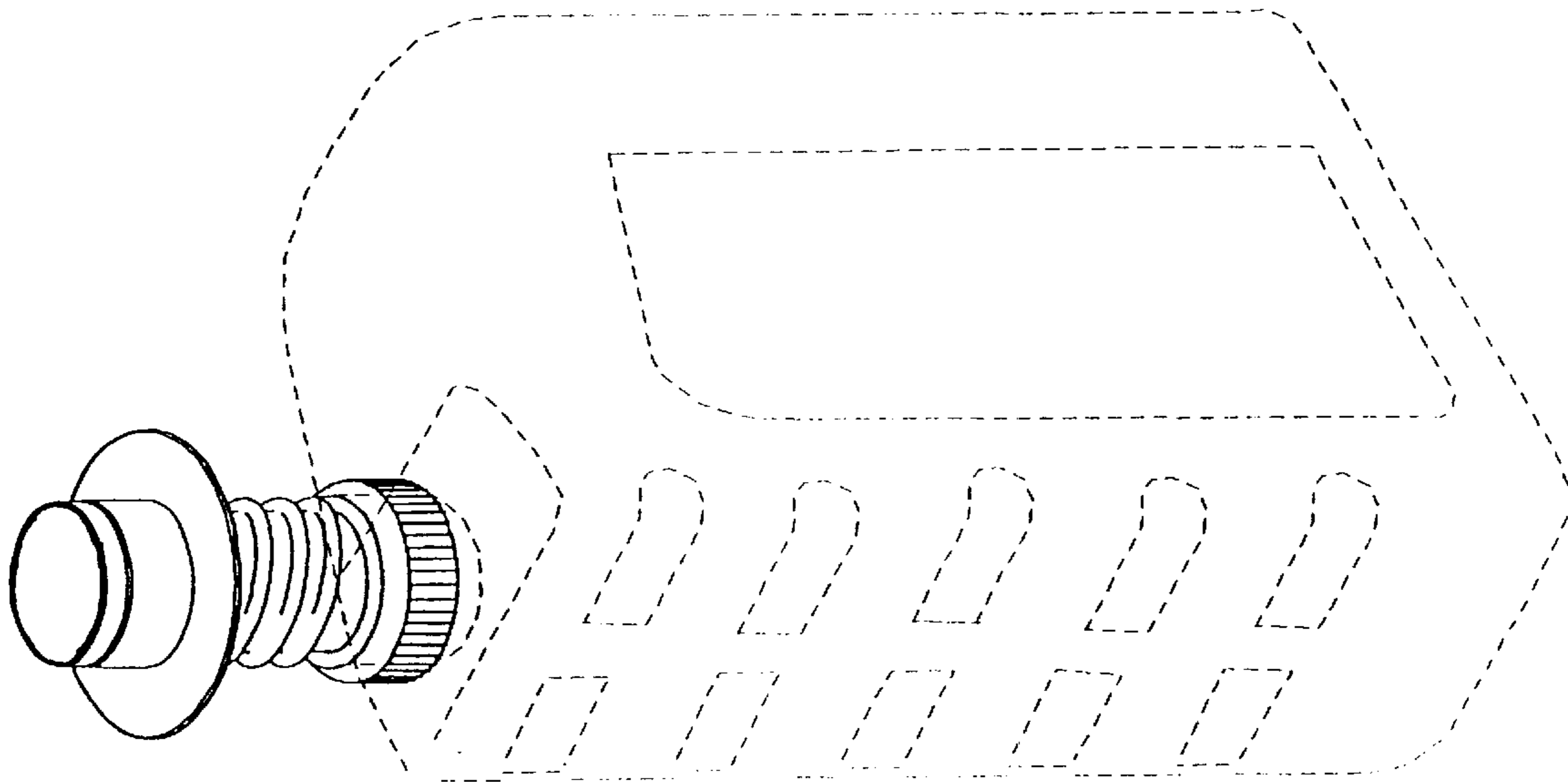


FIGURE 15