



US00D467767S

(12) **United States Design Patent**
Ancona et al.

(10) **Patent No.:** **US D467,767 S**

(45) **Date of Patent:** **** Dec. 31, 2002**

(54) **MACHINE FOR DOMESTIC USE FOR MAKING, CUTTING AND SHAPING PASTA**

D370,383 S * 6/1996 Brefka D7/376
D444,669 S * 7/2001 Prot D7/376

(75) Inventors: **Enrico Ancona**, Buttigliera Alta (IT);
Roberto Cheula, Turin (IT)

FOREIGN PATENT DOCUMENTS

GB 1048536 * 2/1988

(73) Assignee: **Imperia Trading S.r.l.**, Rome (IT)

* cited by examiner

(**) Term: **14 Years**

Primary Examiner—Caron D. Veynar

(74) *Attorney, Agent, or Firm*—Keil & Weinkauff

(21) Appl. No.: **29/143,786**

(57) **CLAIM**

(22) Filed: **Jun. 21, 2001**

The ornamental design for a machine for domestic use for making, cutting and shaping pasta, as shown.

(30) **Foreign Application Priority Data**

DESCRIPTION

Dec. 21, 2000 (IT) TO0000349

FIG. 1 is a perspective view of the machine for domestic use for making, cutting and shaping pasta showing our new design;

(51) **LOC (7) Cl.** **31-00**

(52) **U.S. Cl.** **D7/376; D7/381**

FIG. 2 is a right side view thereof;

(58) **Field of Search** D7/376, 381, 383,

D7/384, 412; 241/46.15, 101.01, 301; 83/879, 883, 884, 886, 887, 57, 68, 859

FIG. 3 is a left side view thereof;

FIG. 4 is a top view thereof;

FIG. 5 is a bottom view thereof;

FIG. 6 is an anterior view thereof; and,

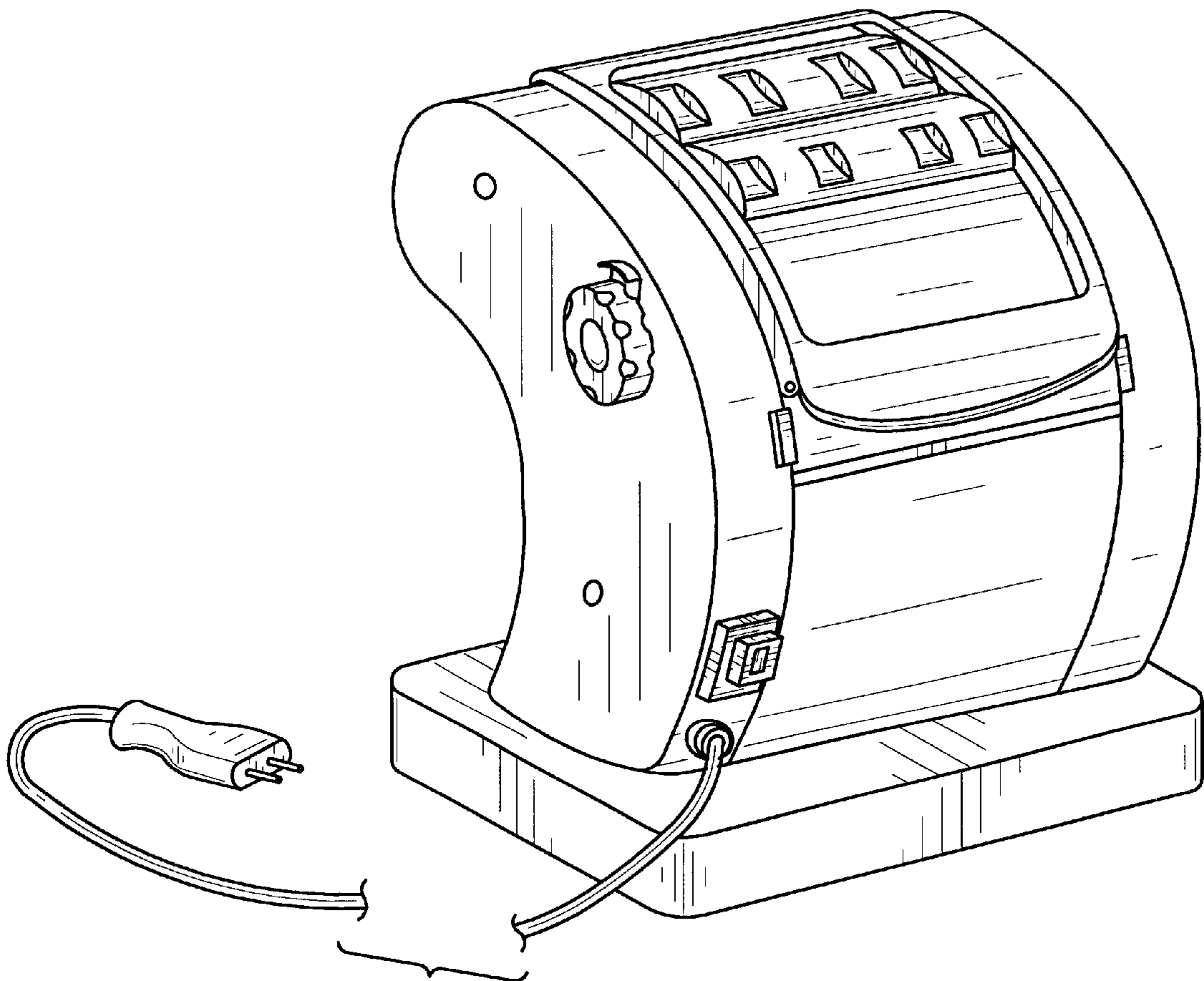
FIG. 7 is a posterior view thereof.

(56) **References Cited**

U.S. PATENT DOCUMENTS

D192,704 S * 5/1962 Giunta D7/383

1 Claim, 7 Drawing Sheets



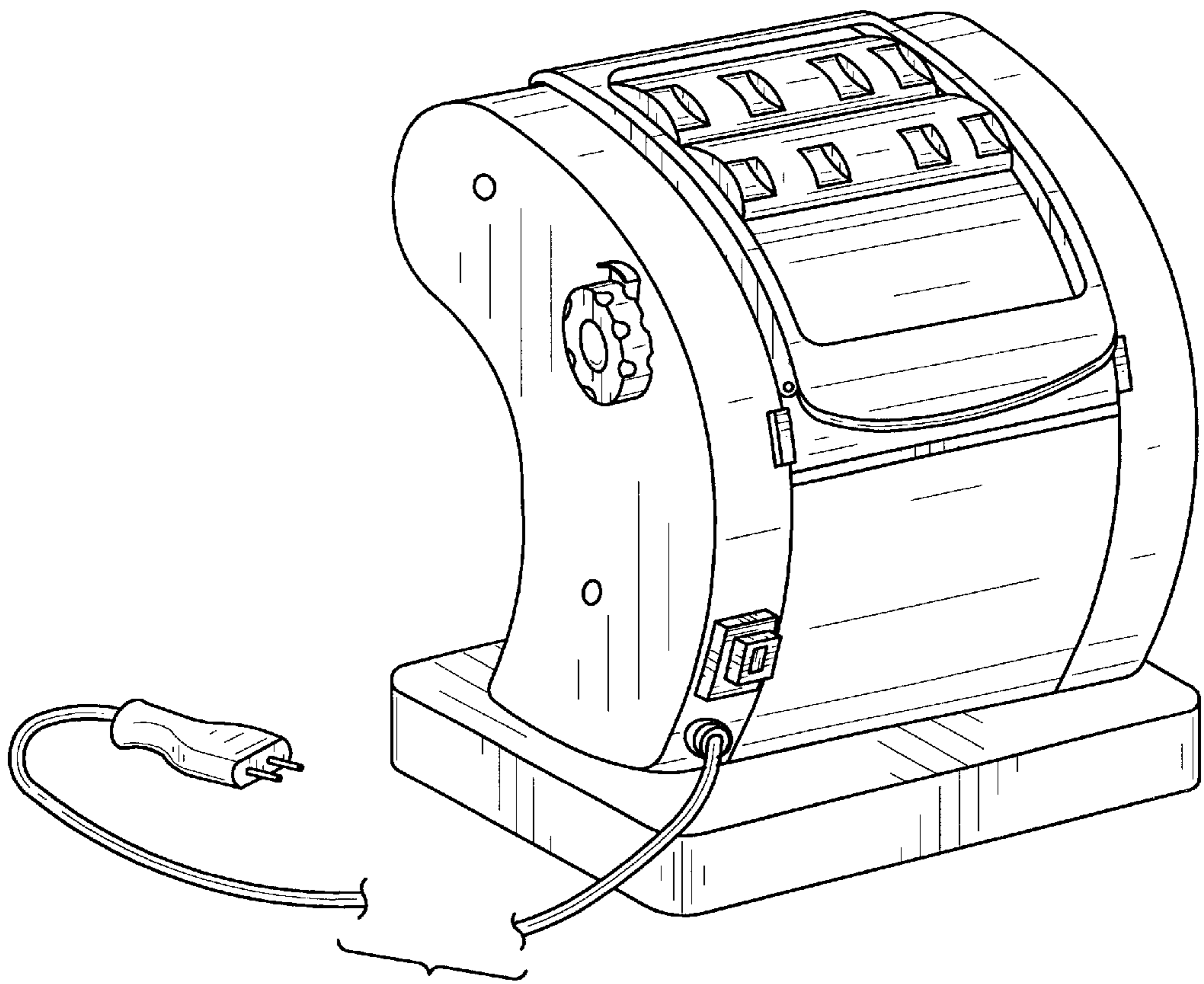


FIG. 1

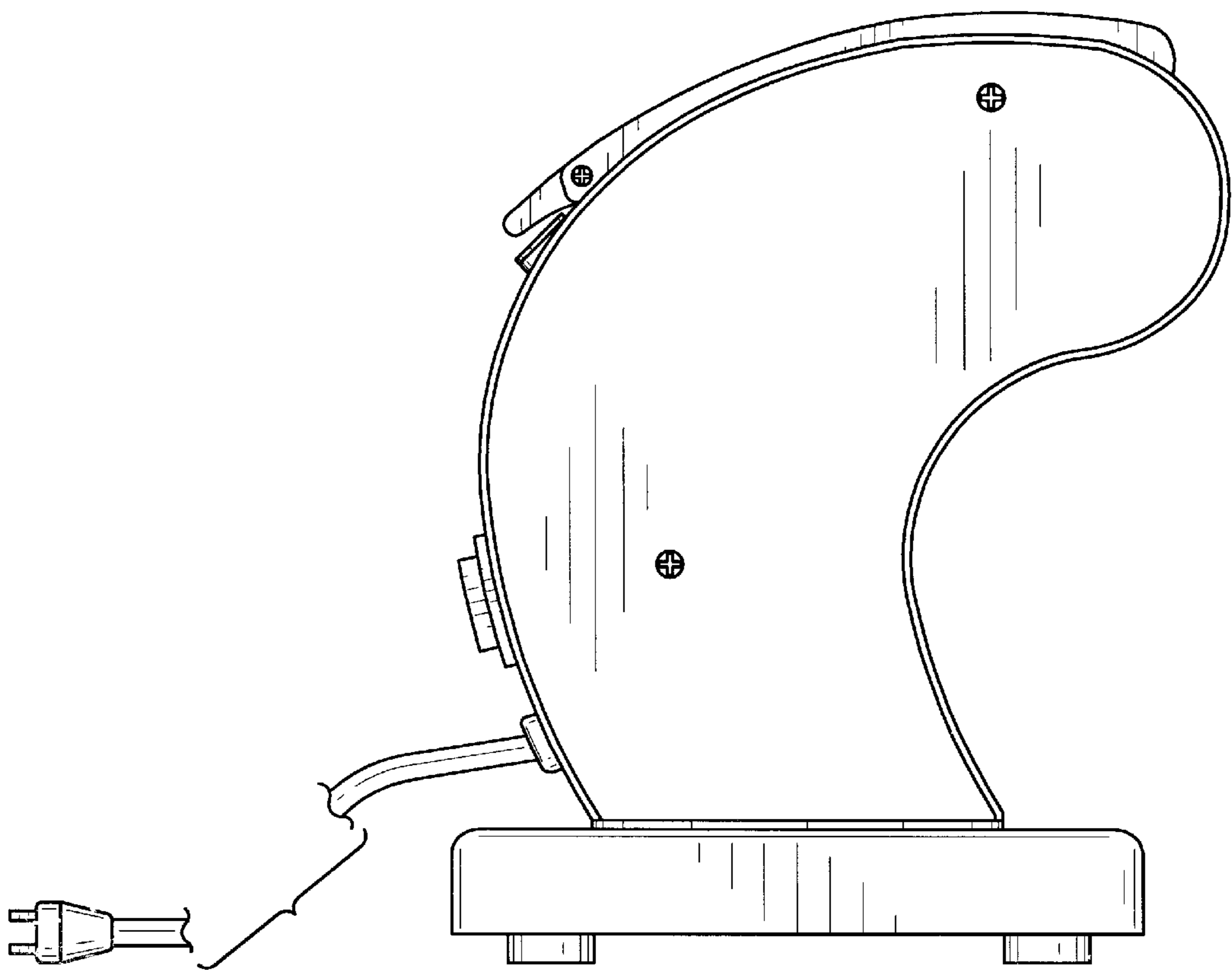


FIG. 2

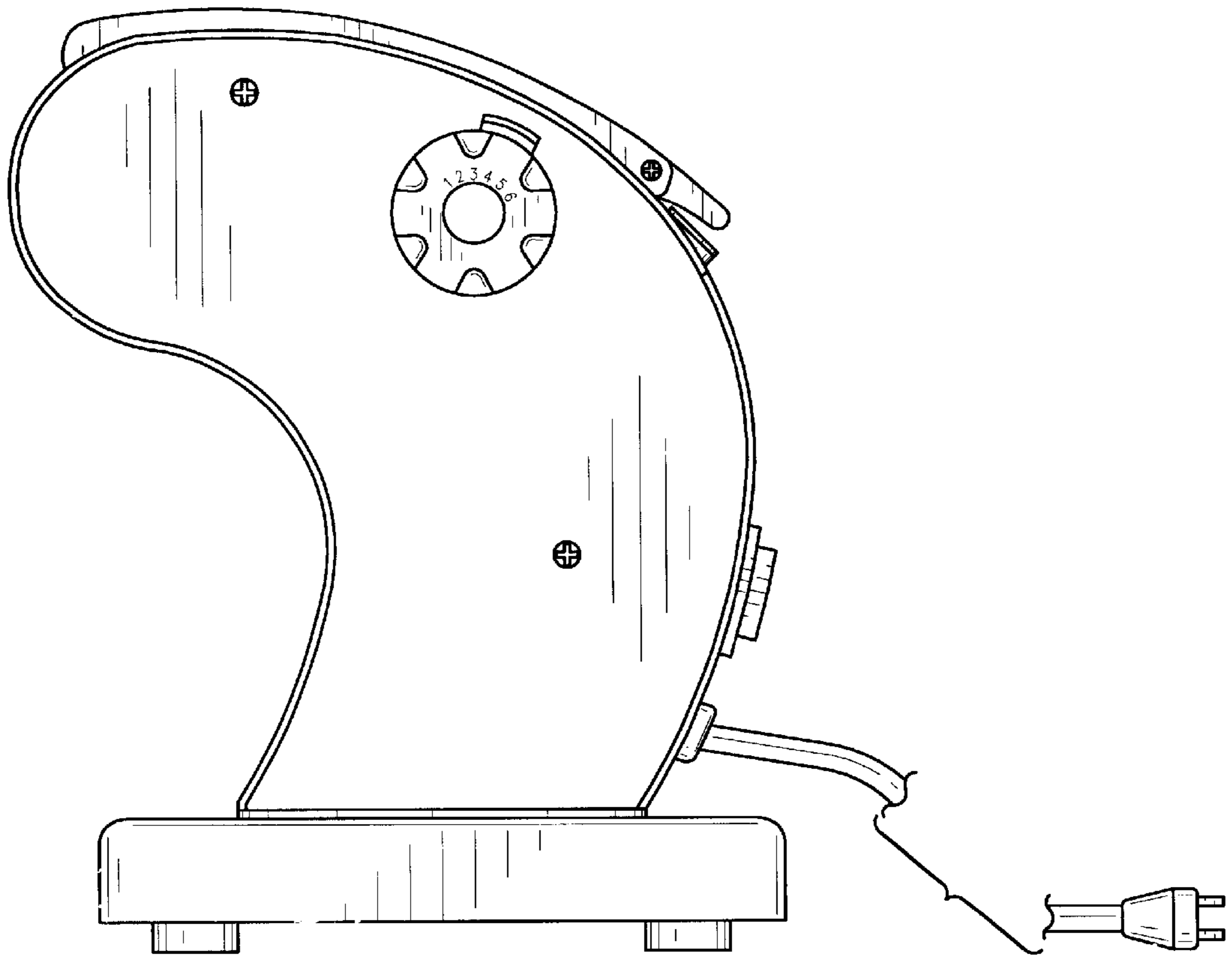


FIG. 3

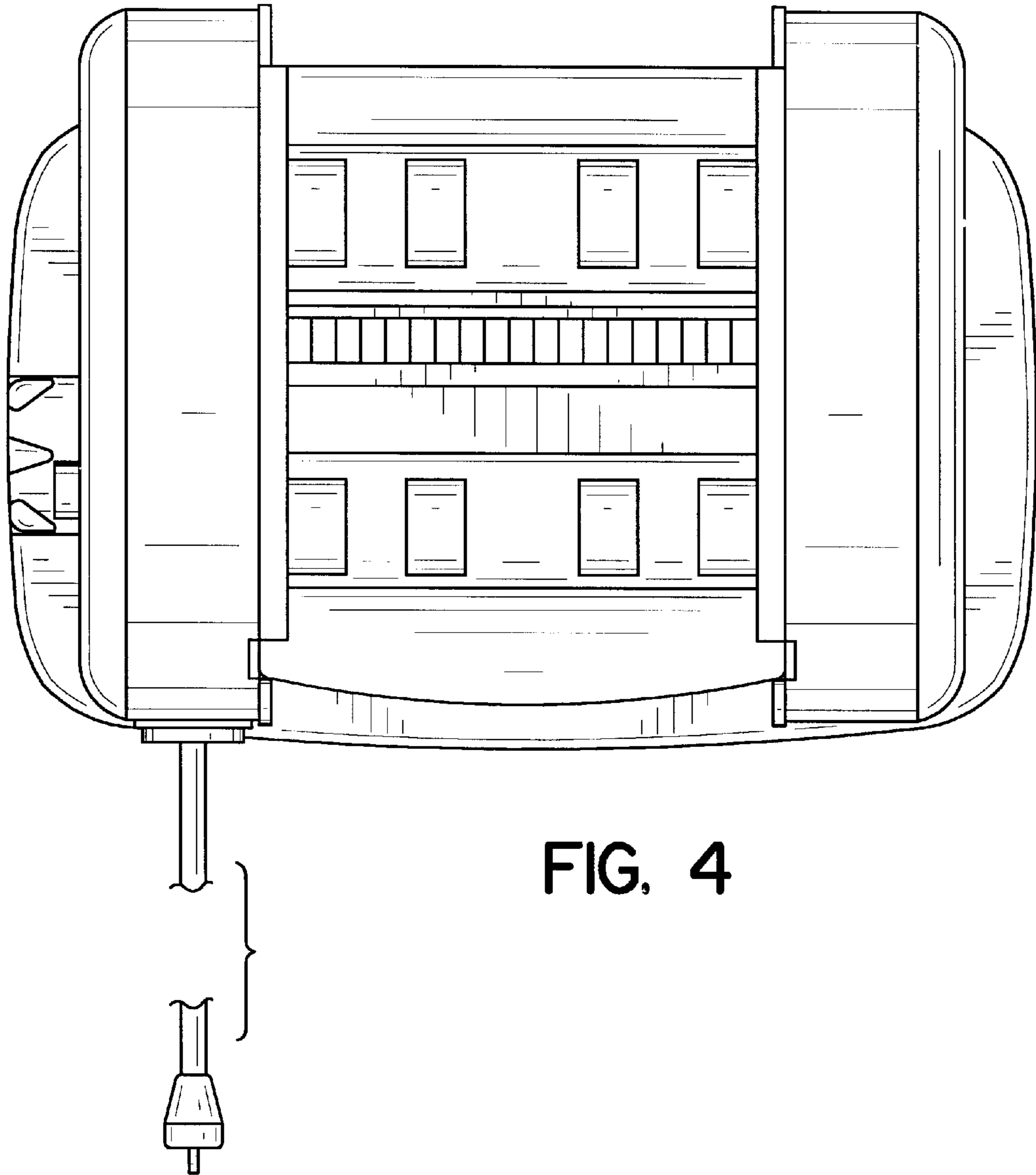


FIG. 4

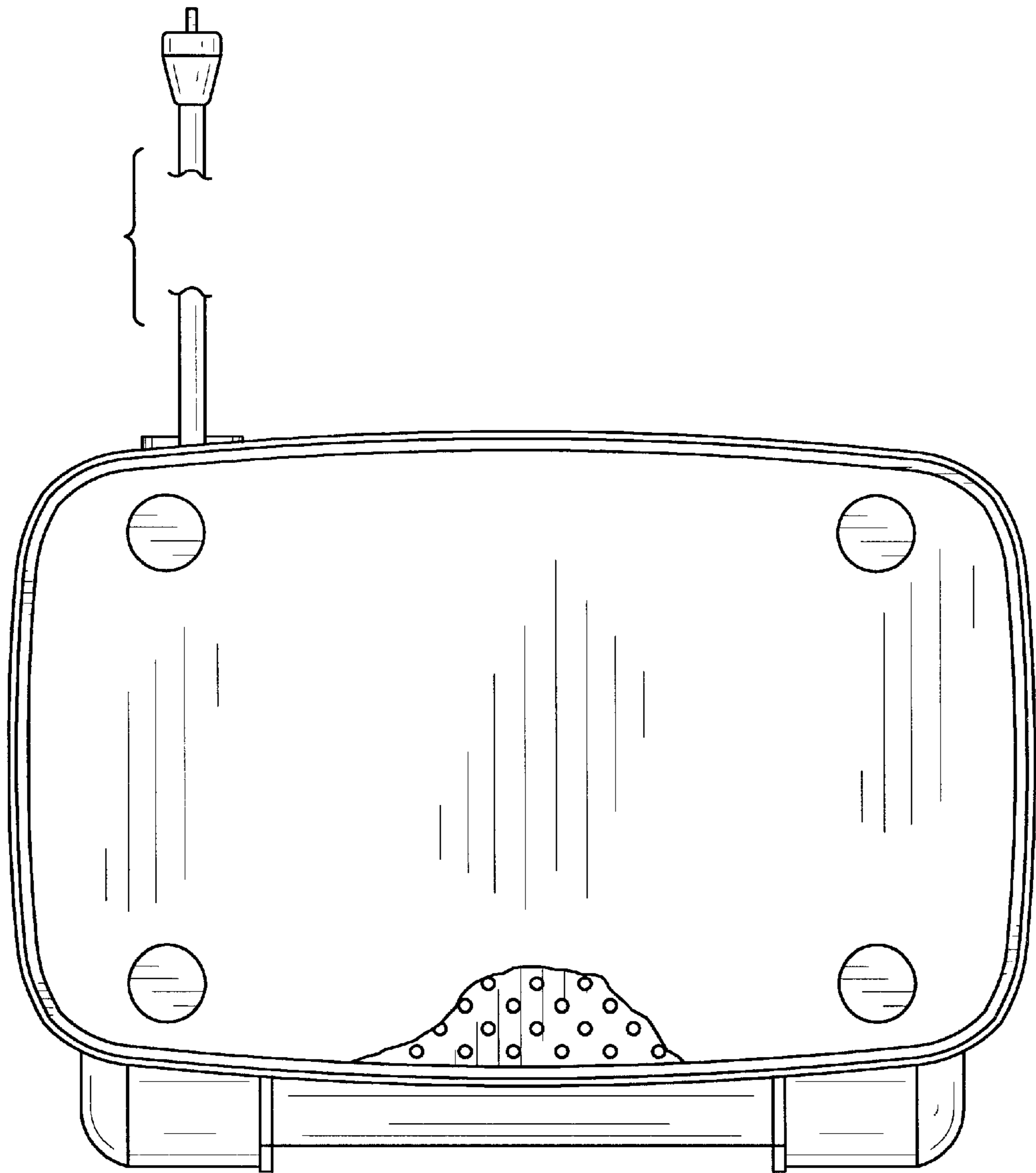


FIG. 5

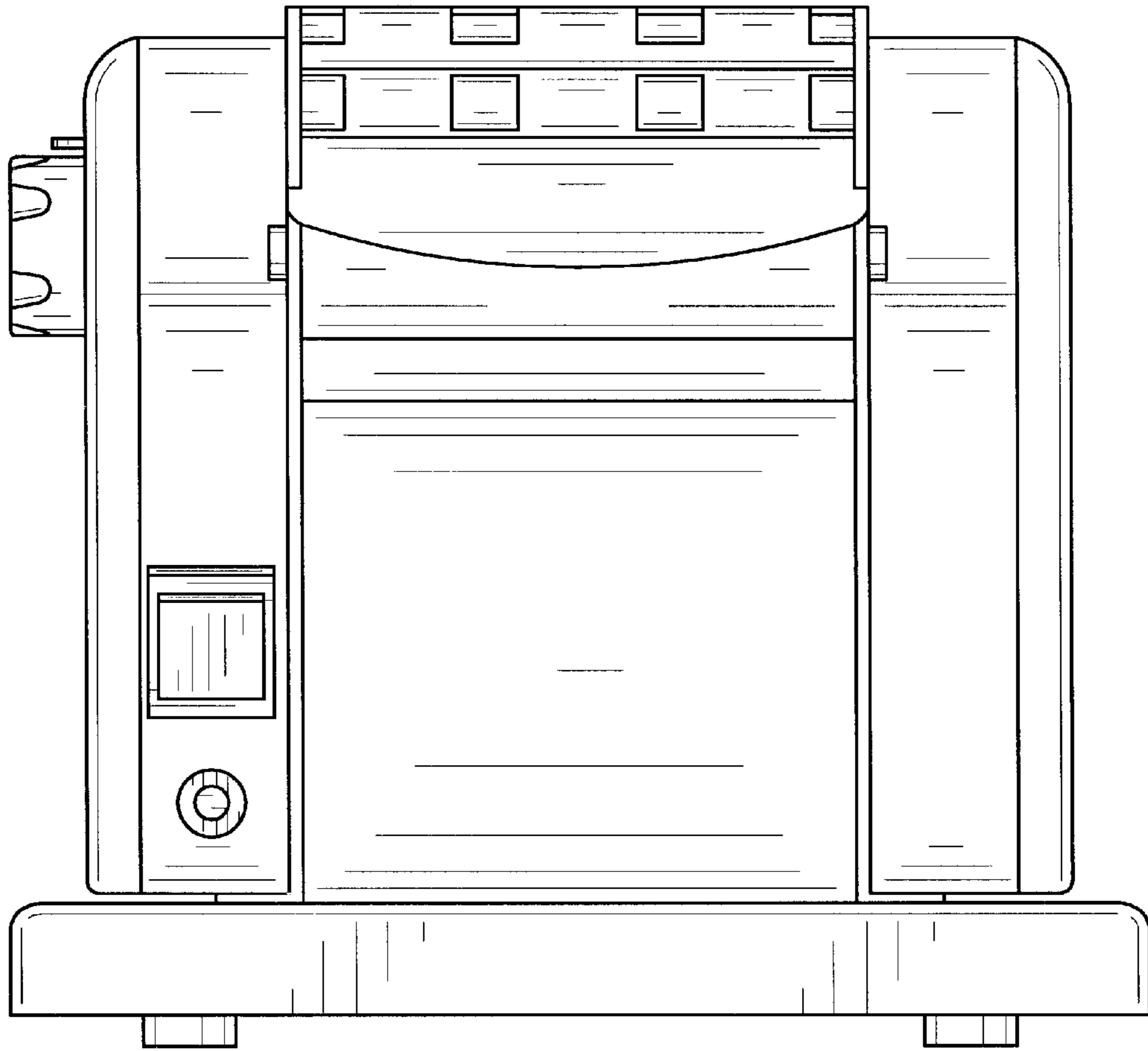


FIG. 6

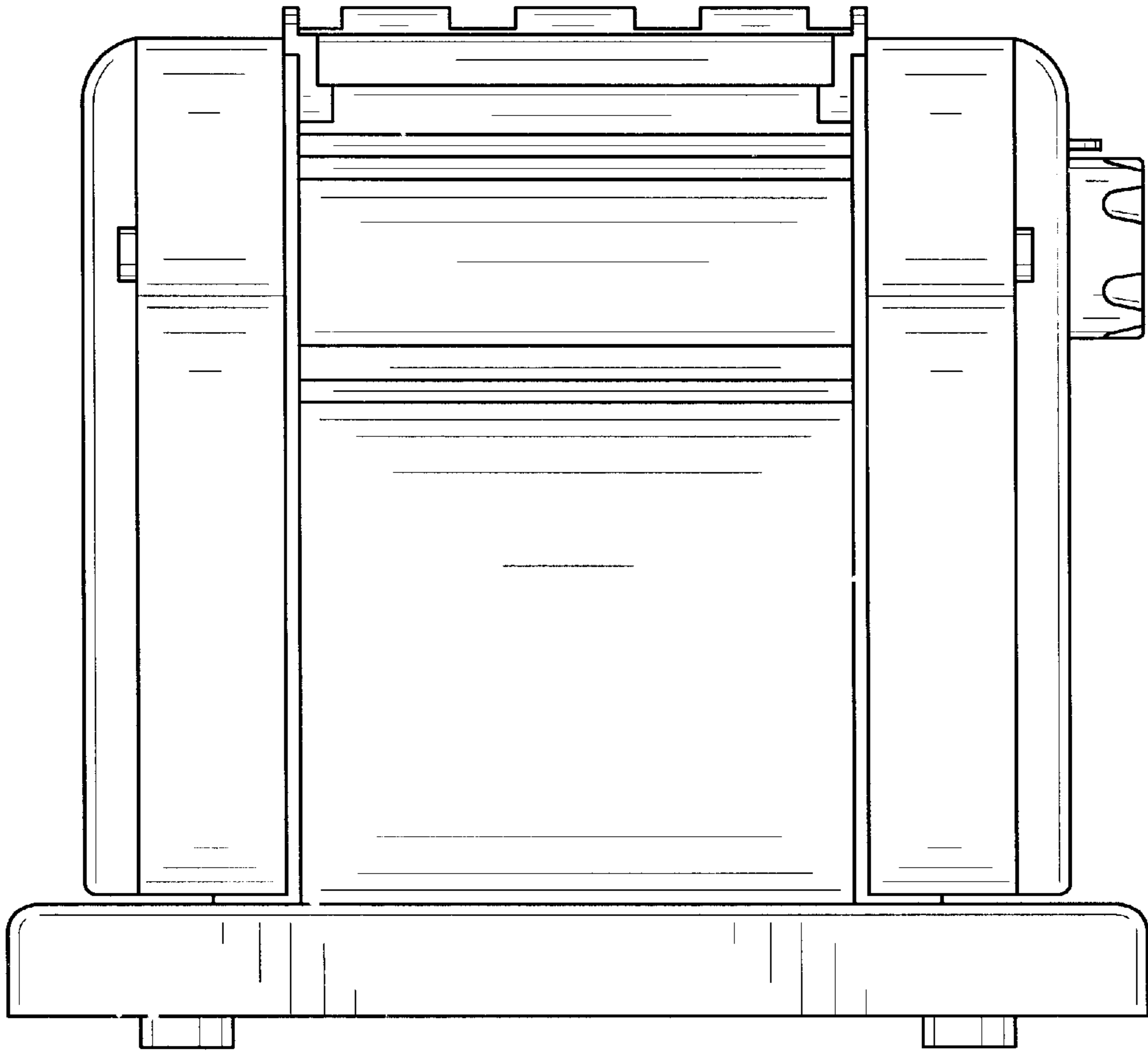


FIG. 7