



US00D467765S

(12) **United States Design Patent**
Yeh et al.

(10) **Patent No.:** **US D467,765 S**

(45) **Date of Patent:** **** Dec. 31, 2002**

(54) **CHARCOAL GRILL**

(75) Inventors: **Yuan-Hung Yeh**, Taipei Hsien (TW);
Yi-Ming Yang, Taipei Hsien (TW);
I-Ko Song, Taipei Hsien (TW)

(73) Assignee: **Hens Specialty Co., Ltd.**, Taipei Hsien (TW)

(**) Term: **14 Years**

(21) Appl. No.: **29/153,614**

(22) Filed: **Jan. 14, 2002**

(51) **LOC (7) Cl.** **07-02**

(52) **U.S. Cl.** **D7/337**

(58) **Field of Search** D7/332-338, 402-404,
D7/407-409; 126/25 R, 9 R, 41 R, 38,
40, 50; 99/422, 425, 444

(56) **References Cited**

U.S. PATENT DOCUMENTS

D284,929 S * 8/1986 Schlosser et al. D7/332
D376,510 S * 12/1996 Ting D7/332
D395,785 S * 7/1998 Lin D7/332

D420,546 S * 2/2000 Pai D7/332
D427,840 S * 7/2000 Pai D7/332
D435,753 S * 1/2001 Pai D7/332
D459,141 S * 6/2002 Hung D7/332
D459,629 S * 7/2002 Pai D7/332

* cited by examiner

Primary Examiner—Ruth McInroy

(74) *Attorney, Agent, or Firm*—Rabin & Berdo, P.C.

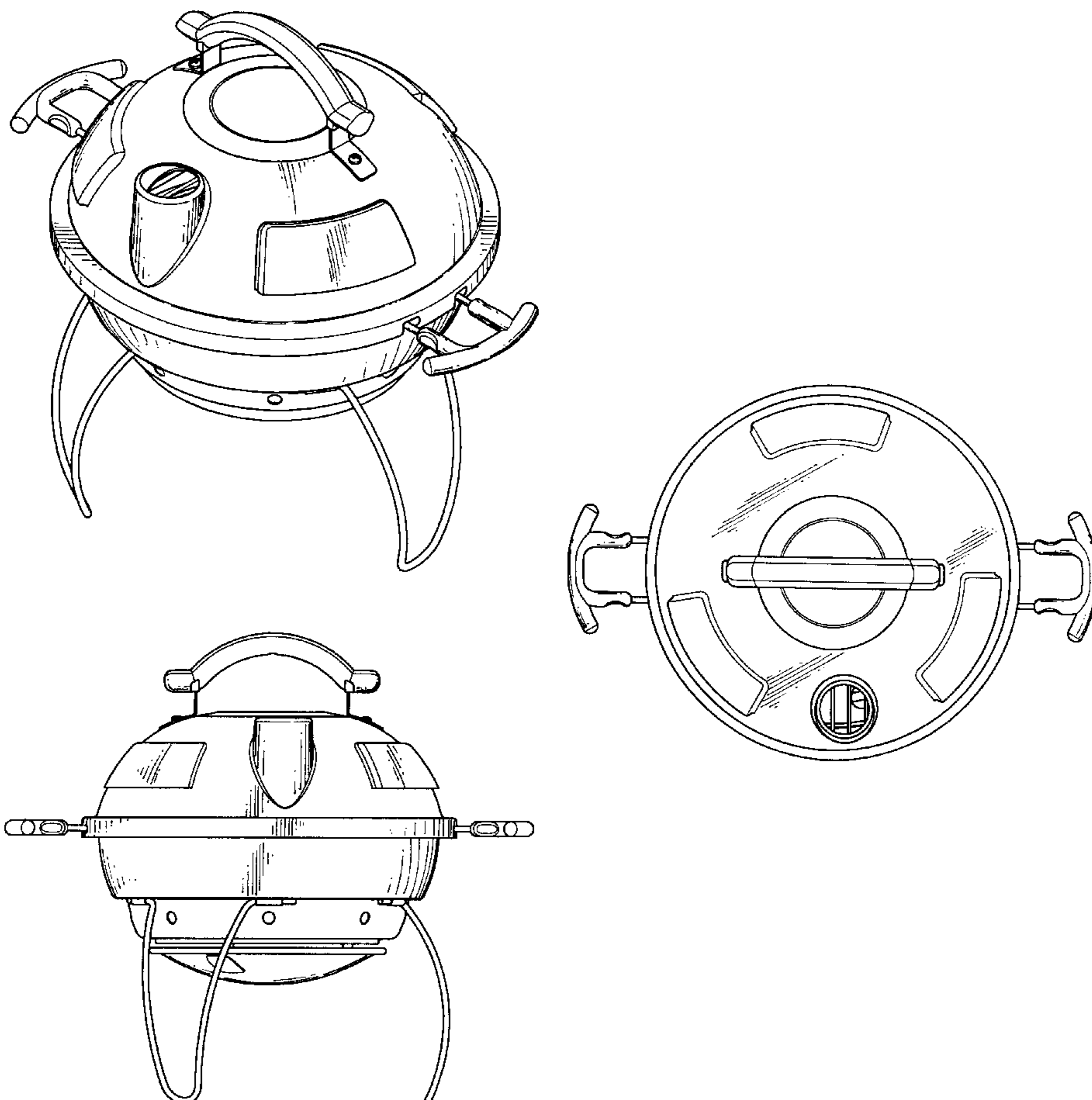
(57) **CLAIM**

The ornamental design for a charcoal grill, as shown and described.

DESCRIPTION

FIG. 1 is a perspective view of a charcoal grill showing my new design;
FIG. 2 is a front elevation view thereof;
FIG. 3 is a rear elevation view thereof;
FIG. 4 is a left side elevation view thereof;
FIG. 5 is a right side elevation view thereof;
FIG. 6 is a top plan view thereof; and,
FIG. 7 is a bottom plan view thereof.

1 Claim, 4 Drawing Sheets



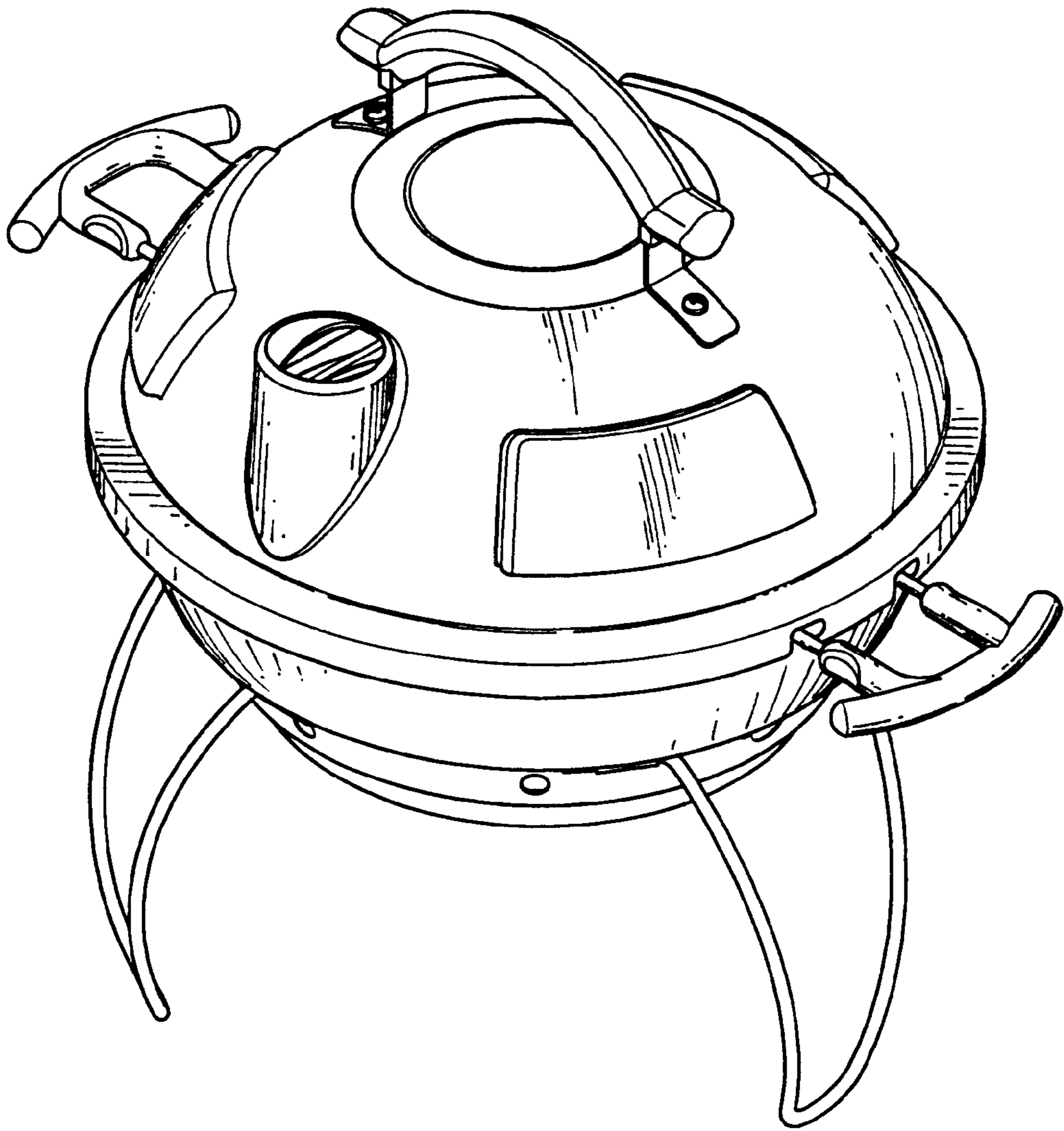


Fig.1

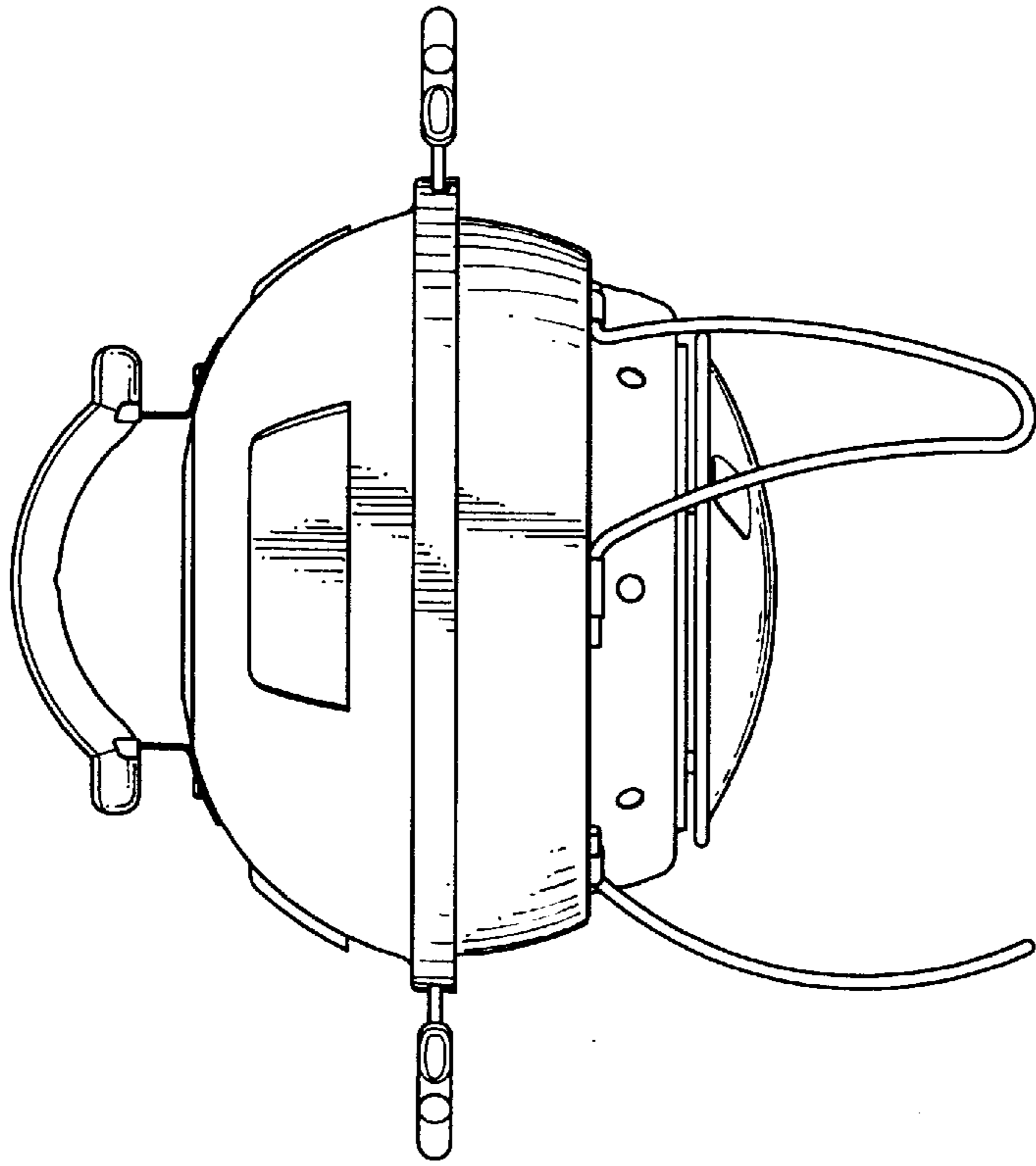


Fig.3

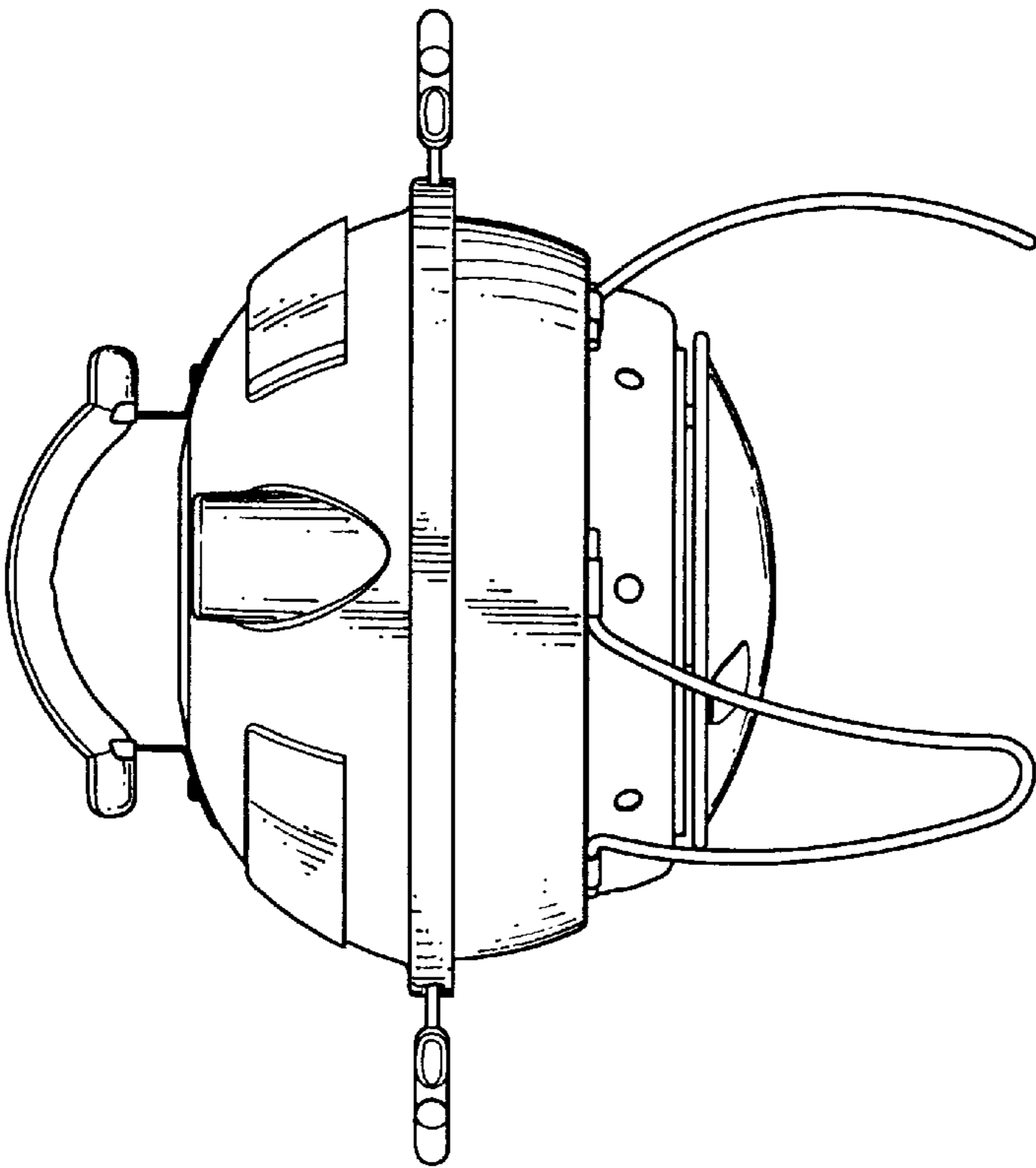


Fig.2

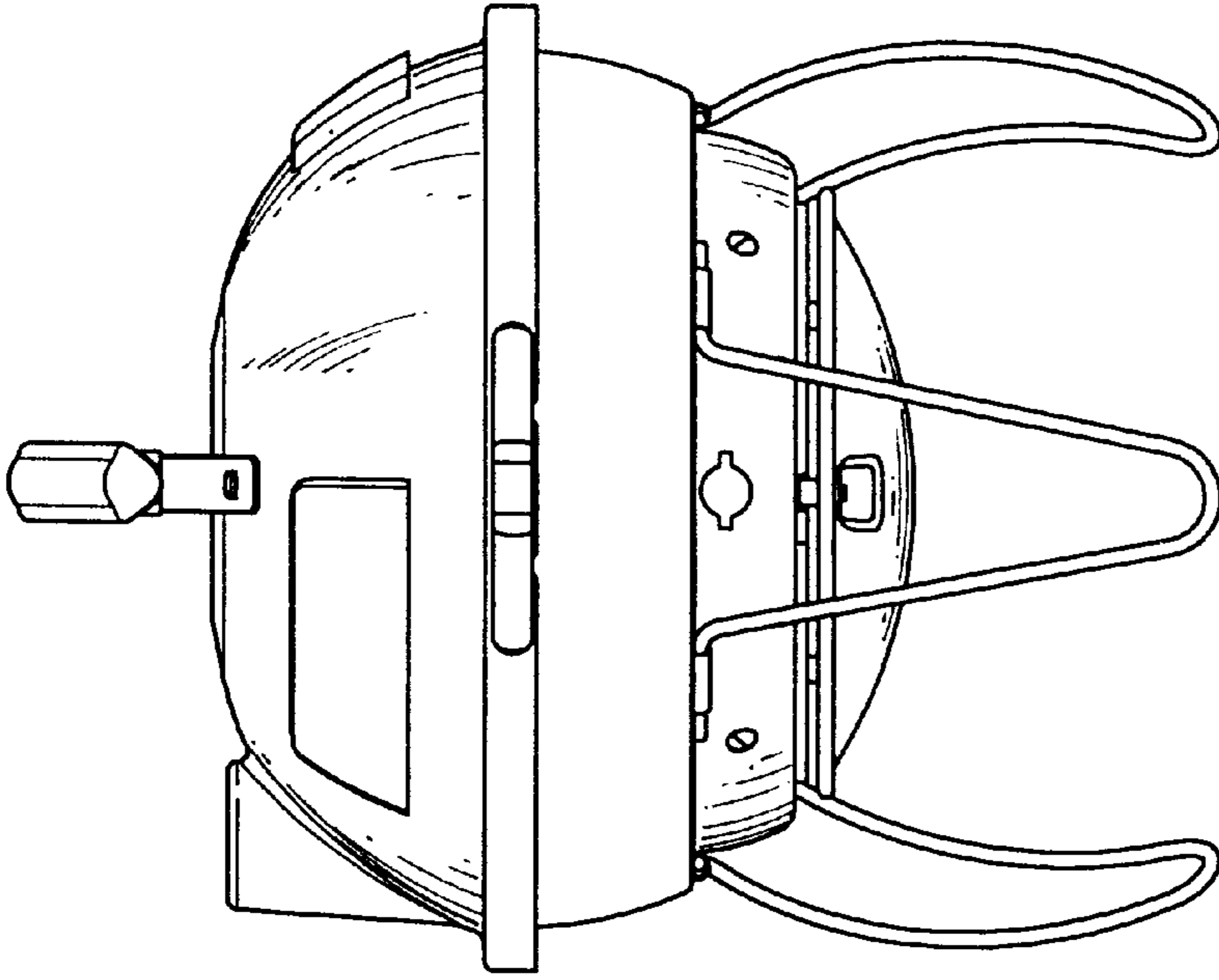


Fig.5

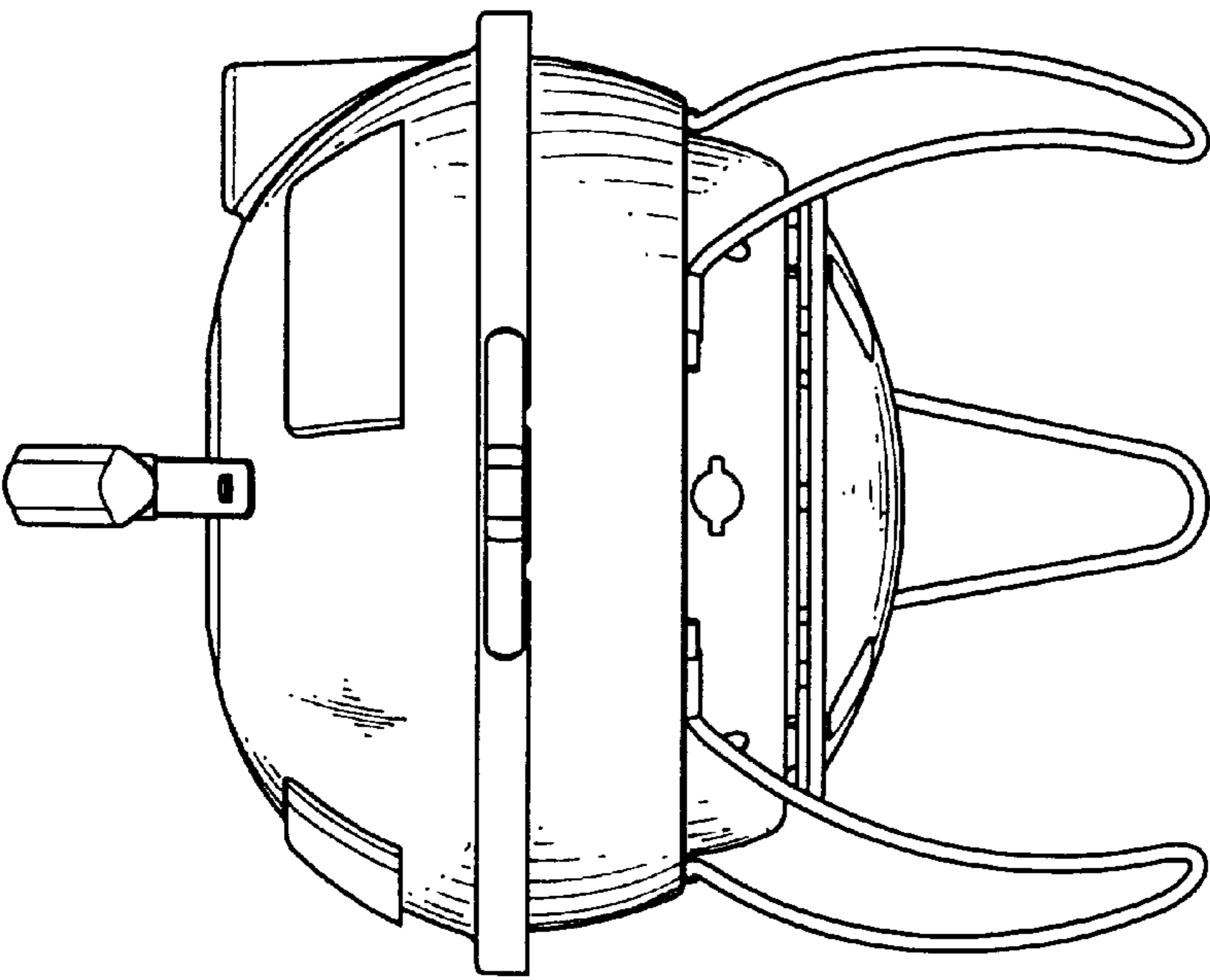


Fig.4

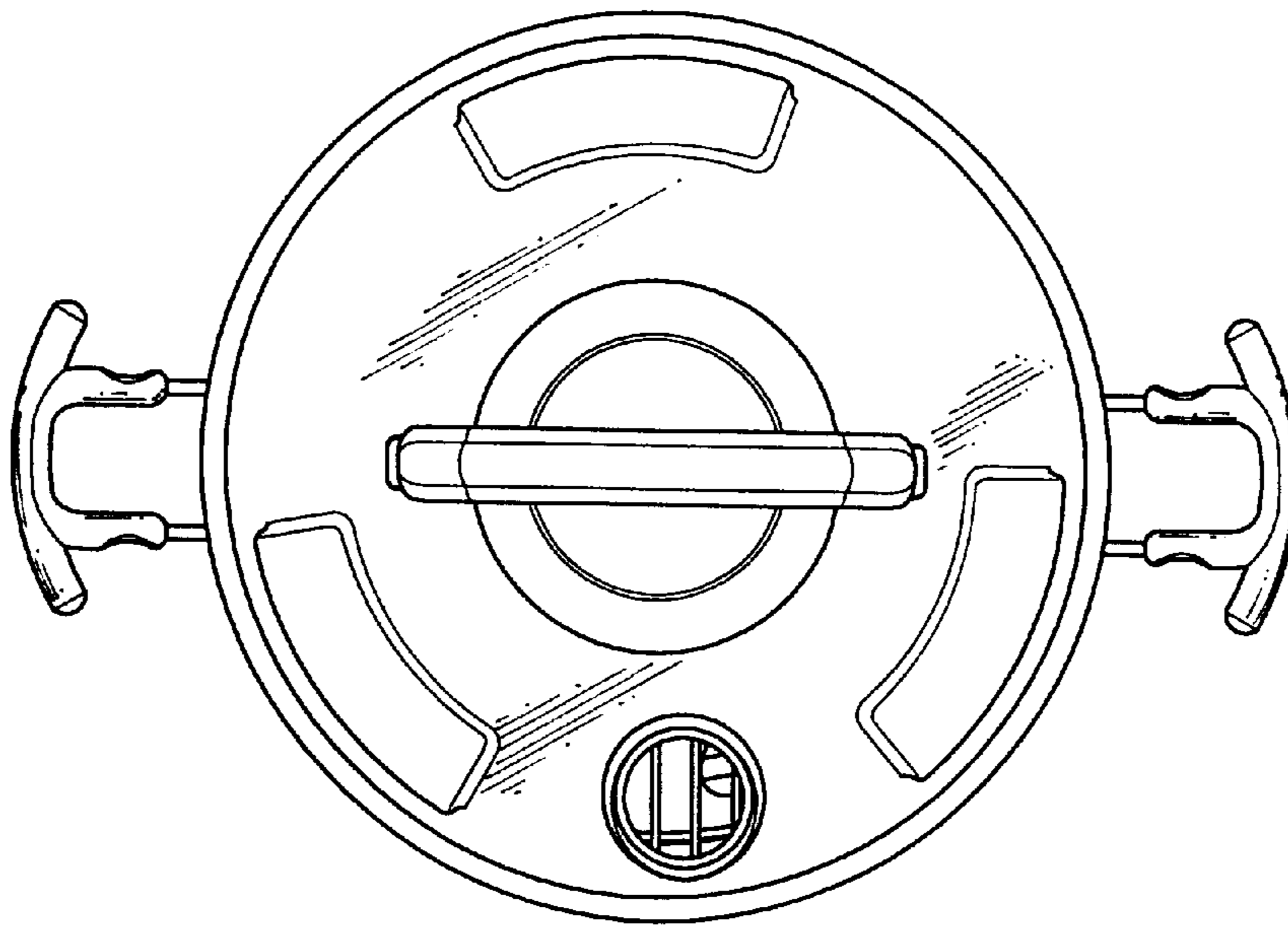


Fig.6

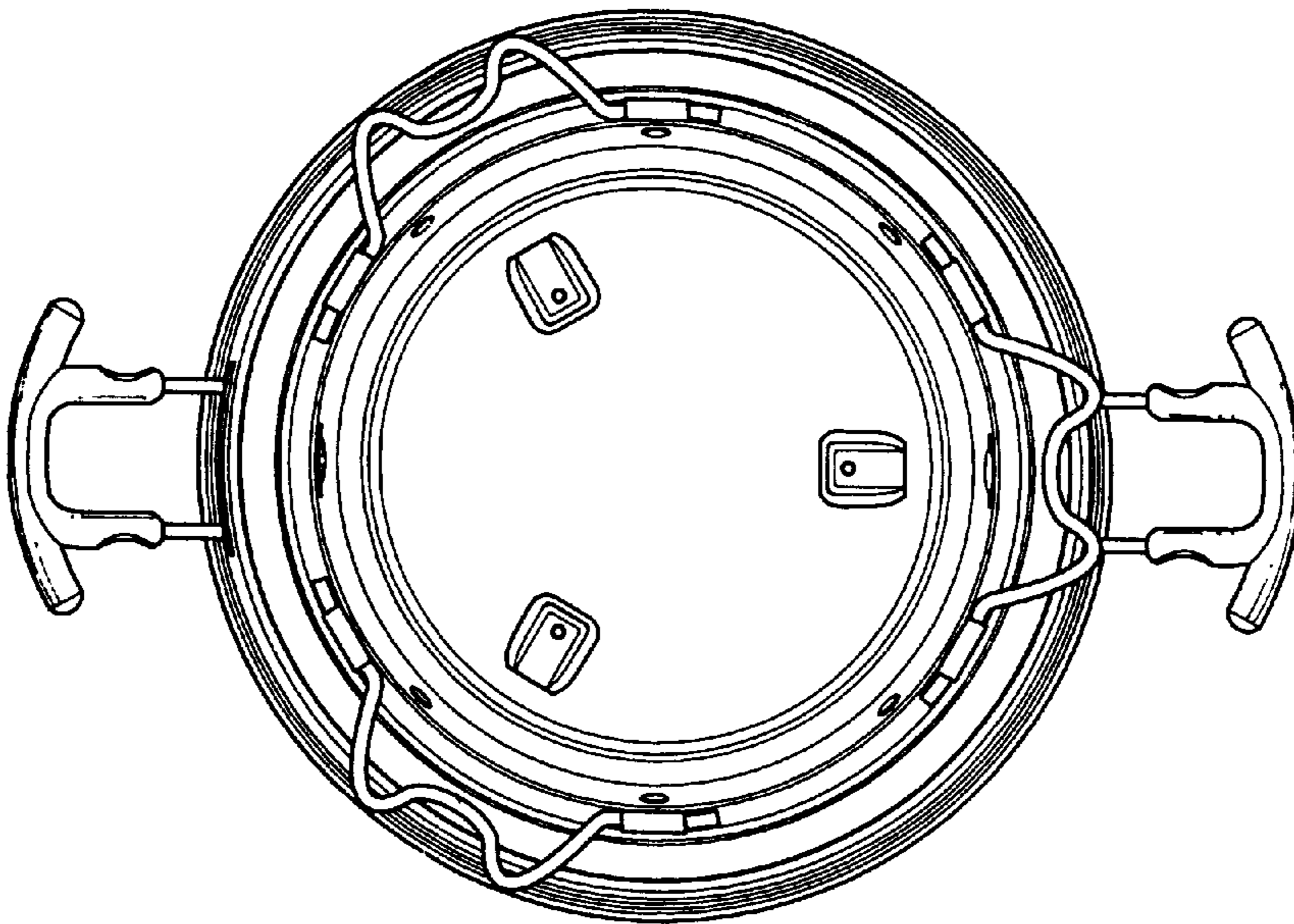


Fig.7