



US00D467760S

(12) **United States Design Patent** (10) **Patent No.:** **US D467,760 S**
Marshall et al. (45) **Date of Patent:** **** Dec. 31, 2002**

(54) **ROCKER MECHANISM**
(75) Inventors: **Richard E. Marshall**, Monroe, MI (US); **Michael E. Mohn**, Monroe, MI (US); **Larry P. LaPointe**, Temperance, MI (US)

(73) Assignee: **La-Z-Boy Incorporated**, Monroe, MI (US)

(**) Term: **14 Years**

(21) Appl. No.: **29/149,802**

(22) Filed: **Oct. 17, 2001**

(51) **LOC (7) Cl.** **06-06**

(52) **U.S. Cl.** **D6/500**

(58) **Field of Search** D6/334, 335, 344, D6/364, 365, 367, 495, 374, 375, 379, 500-502; 297/265.1, 270.1, 273, 281, 282, 344.21, 344.26

(56) **References Cited**

U.S. PATENT DOCUMENTS

354,044	A	*	12/1886	Connolly	297/265.1
2,313,559	A		3/1943	Larsen et al.		
2,353,737	A		7/1944	Lorenz		
2,362,746	A		11/1944	De Vries		
3,053,570	A		9/1962	Fox		
3,297,360	A		1/1967	Holmstrom		
3,337,265	A		8/1967	Benzing		
3,548,810	A	*	12/1970	Hoyer	297/265.1
3,773,383	A		11/1973	Ekornes		
3,912,327	A		10/1975	Johnson		
4,372,606	A	*	2/1983	Faull	297/265.1
4,411,468	A		10/1983	Apissomian		
4,577,907	A		3/1986	Talmon et al.		
D291,846	S	*	9/1987	Conn	D6/344
4,718,723	A		1/1988	Bottemiller		
D295,583	S	*	5/1988	Conn	D6/364
4,786,106	A		11/1988	Bottemiller		
D299,986	S	*	2/1989	Doughty	D6/365
D300,090	S	*	3/1989	Frinier	D6/344

4,984,846	A		1/1991	Ekornes		
D316,936	S		5/1991	Ekornes et al.		
5,039,164	A		8/1991	Gibbs		
5,040,846	A		8/1991	Finney et al.		
5,112,106	A		5/1992	Asbjornsen et al.		
D335,038	S	*	4/1993	Tseng	D6/365
D335,039	S	*	4/1993	Tseng	D6/365
D340,361	S	*	10/1993	Tseng	D6/365
5,263,677	A	*	11/1993	Puerner	248/370
5,472,261	A		12/1995	Oplenskdal et al.		
5,599,064	A		2/1997	Vanderminden, Sr.		
D384,228	S	*	9/1997	Desnoyer	D6/495
D414,947	S	*	10/1999	Liu	D6/344
D457,335	S	*	5/2002	Desnoyer	D6/365

* cited by examiner

Primary Examiner—Stacia Cadmus

Assistant Examiner—Mimosa De

(74) *Attorney, Agent, or Firm*—Harness, Dickey & Pierce, P.L.C.

(57) **CLAIM**

The ornamental design for a rocker mechanism, as shown and described.

DESCRIPTION

FIG. 1 is a front perspective view of the rocker mechanism in accordance with the present invention, and further illustrating the environmental structure of a chair in broken lines; FIG. 2 is a front perspective view of the rocker mechanism of the present invention; FIG. 3 is a top plan view of the present invention; FIG. 4 is a bottom plan view of the present invention; FIG. 5 is a rear elevational view of the present invention; and FIG. 6 is a front elevational view of the present invention; FIG. 7 is a left elevational view of the present invention; and, FIG. 8 is a right elevational view of the present invention. It will be understood that the broken lines shown in FIG. 1 illustrate environmental structure associated with the present invention and form no part of the claimed design.

1 Claim, 5 Drawing Sheets





Figure 1

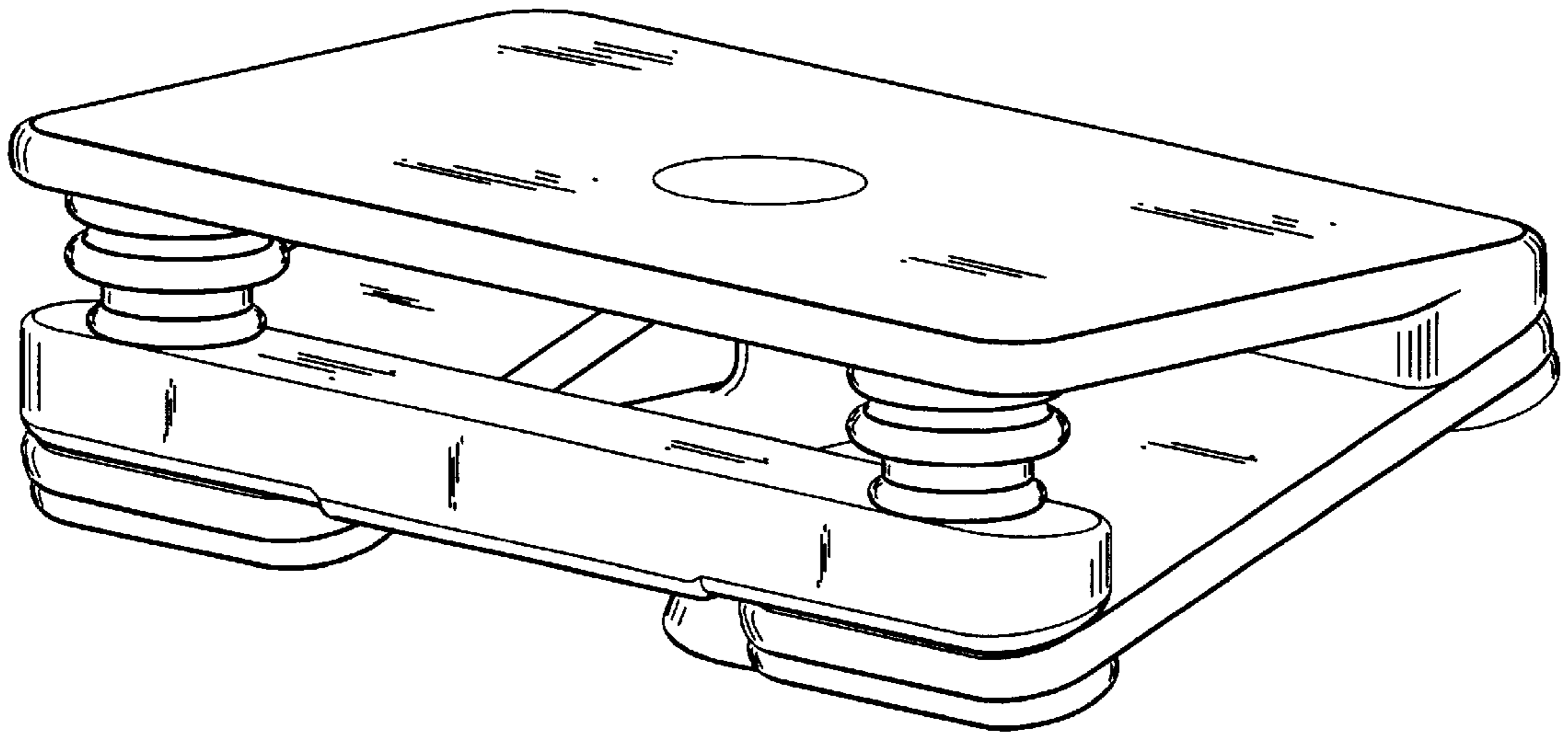


Figure 2

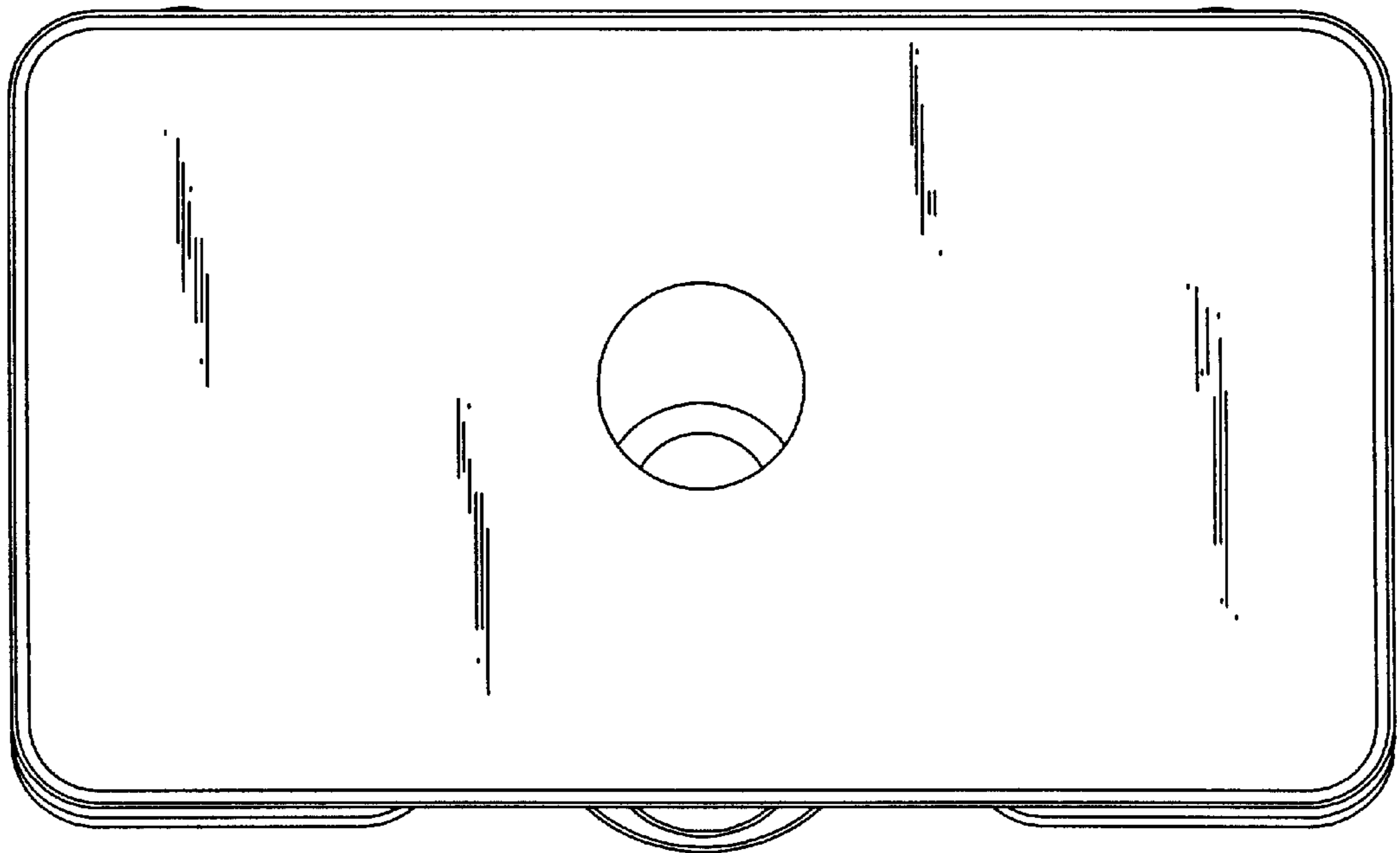


Figure 3

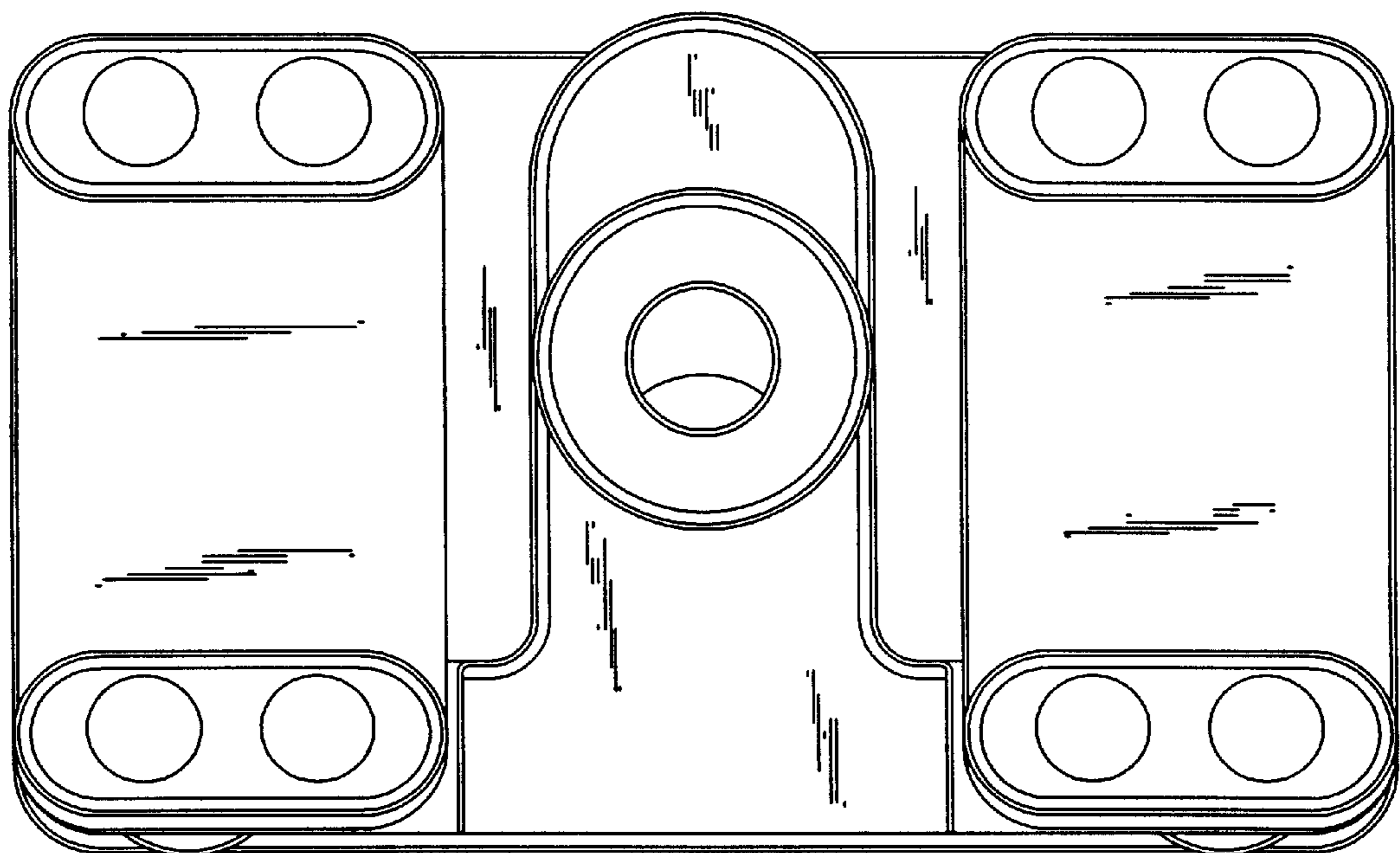


Figure 4

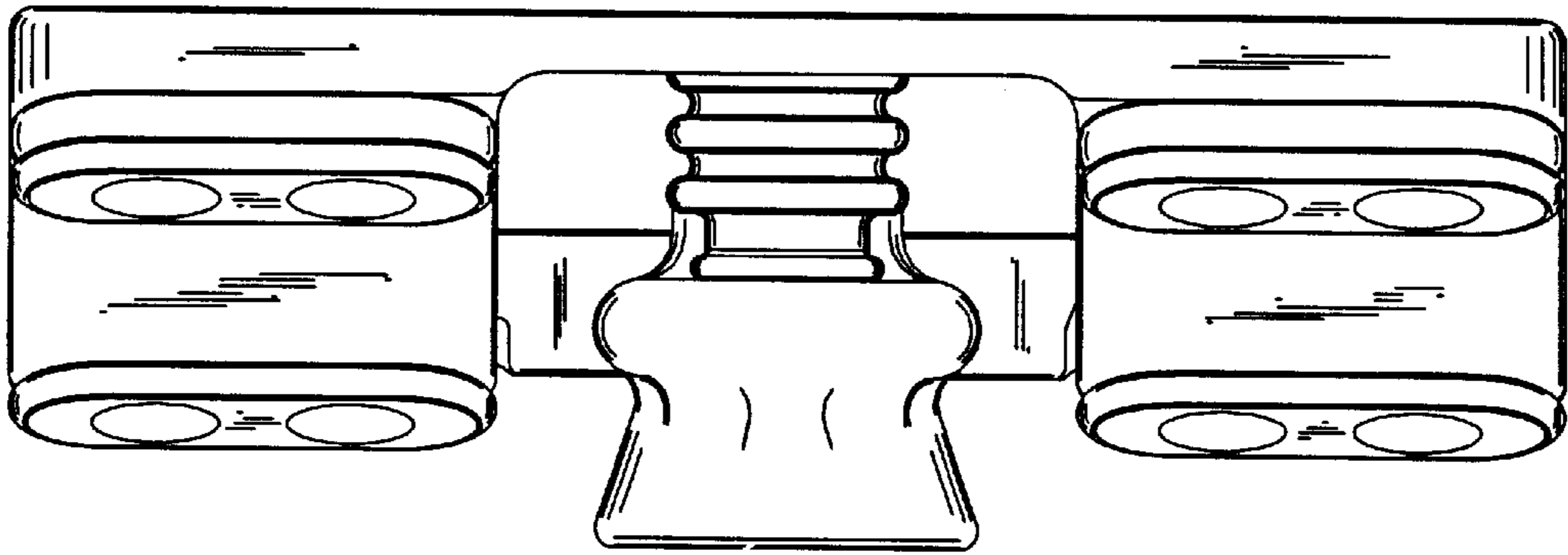


Figure 5

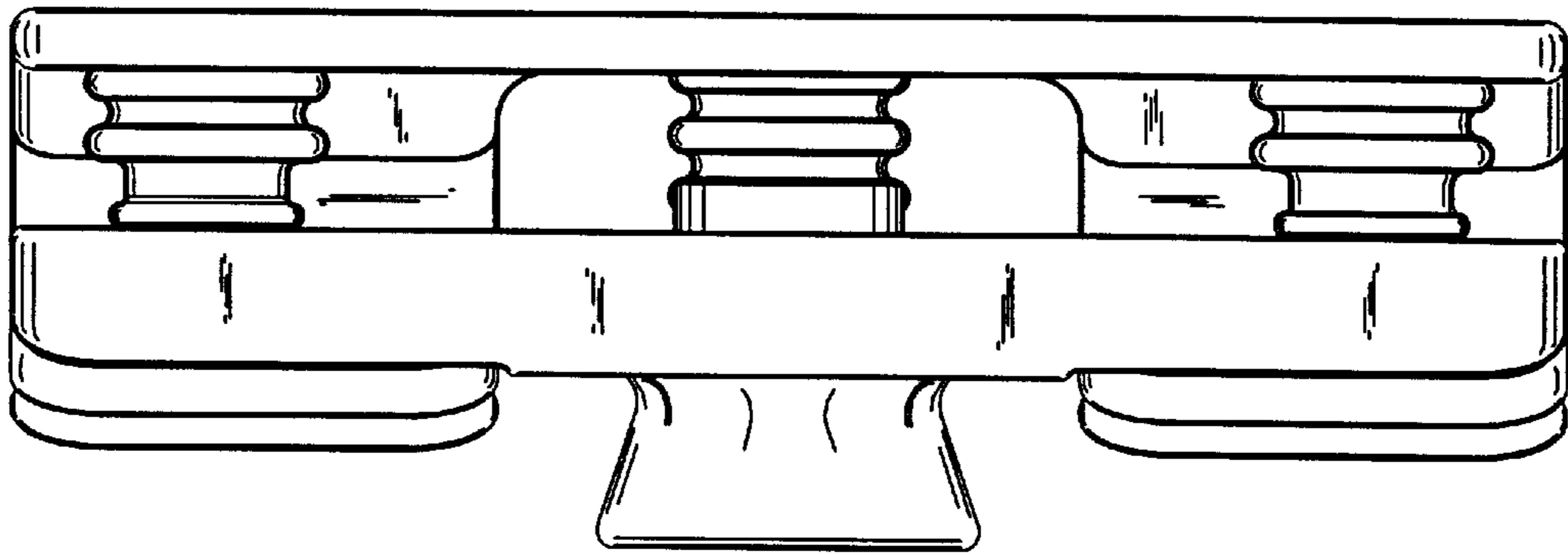


Figure 6

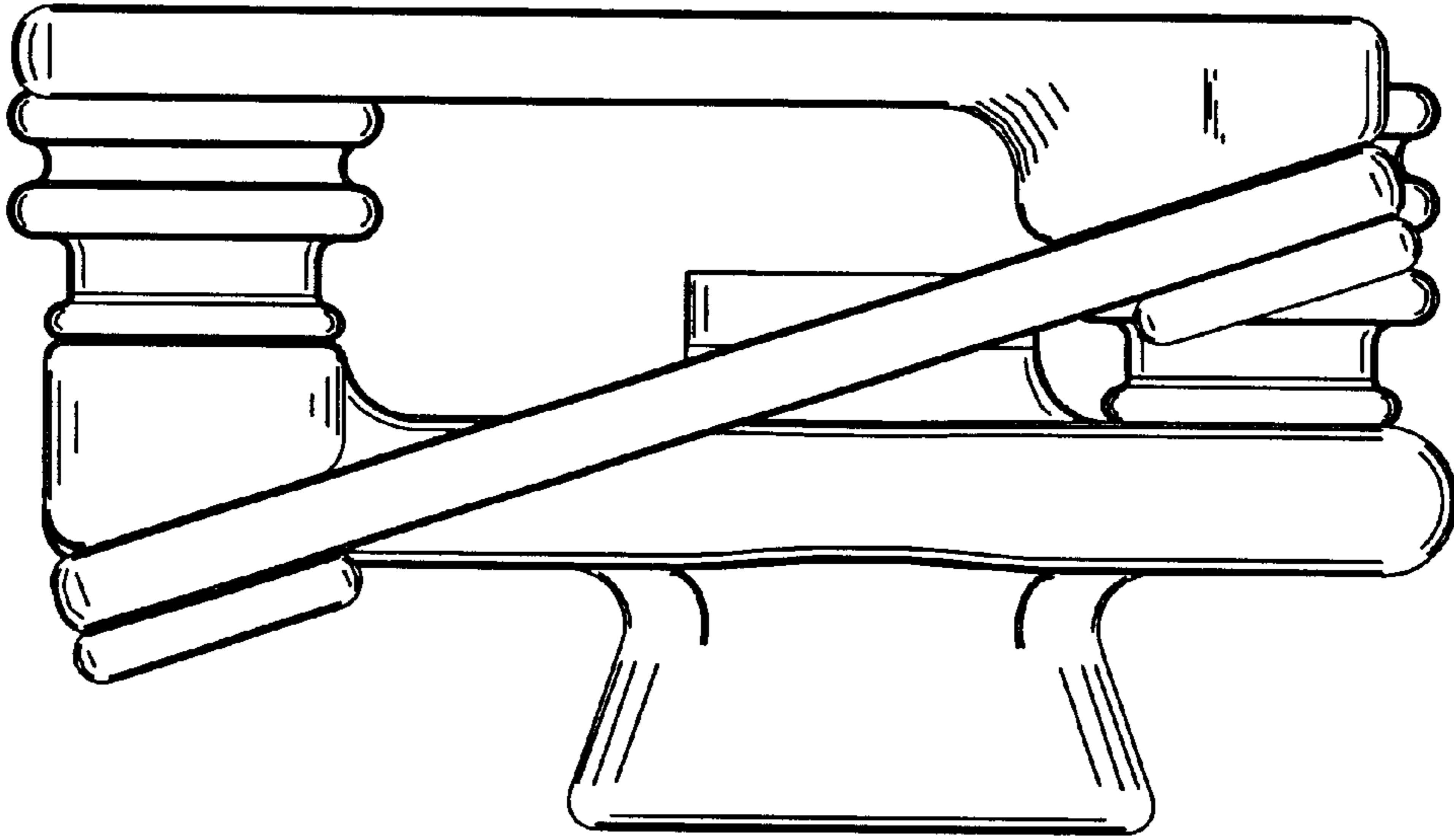


Figure 7

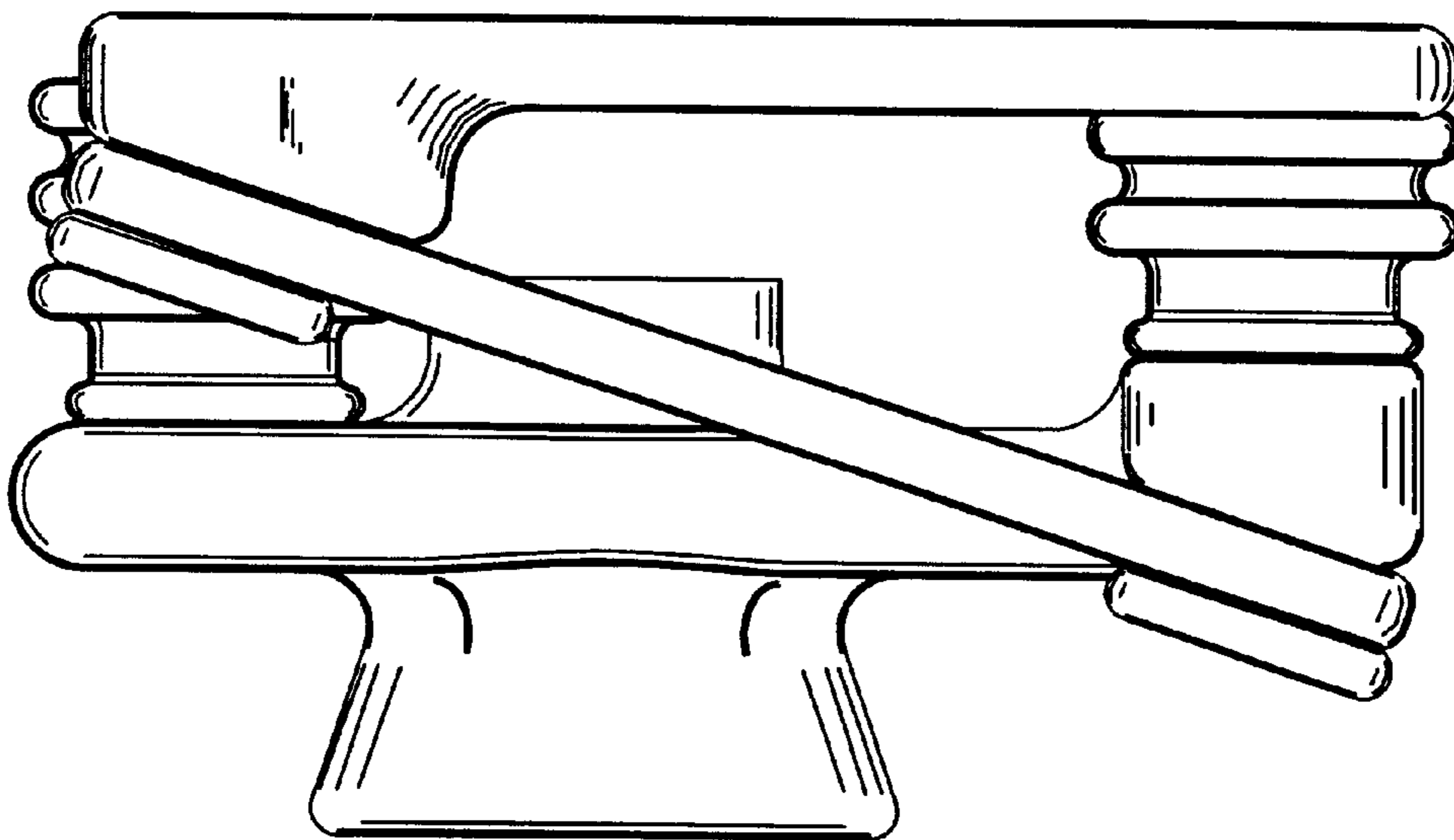


Figure 8