



US00D467759S

(12) **United States Design Patent**
Dellinger

(10) **Patent No.:** **US D467,759 S**

(45) **Date of Patent:** **** Dec. 31, 2002**

(54) **FOLDING BARSTOOL LEGS**

(75) **Inventor:** **James Scott Dellinger**, Johnson City, TN (US)

(73) **Assignee:** **Meco Corporation**, Greeneville, TN (US)

(**) **Term:** **14 Years**

(21) **Appl. No.:** **29/158,323**

(22) **Filed:** **Apr. 3, 2002**

(51) **LOC (7) Cl.** **06-01**

(52) **U.S. Cl.** **D6/496; D6/368**

(58) **Field of Search** D6/334, 335, 368, D6/369, 370, 376, 379, 380, 496, 500-502; 297/16.1, 40, 41, 55, 58, 445.1, 446.1, 452.62, 452.63, 452.64

(56) **References Cited**

U.S. PATENT DOCUMENTS

2,233,749	A	*	3/1941	Salomon	297/55
D160,006	S	*	9/1950	Nordmark	D6/368
2,694,442	A	*	11/1954	Nordmark	297/55
2,729,280	A	*	1/1956	Adler	297/55
2,877,829	A	*	3/1959	Ferfar et al.	297/55
2,954,073	A	*	9/1960	Junkunc	297/41
D206,154	S	*	11/1966	Bradley	D6/369

D340,632 S * 10/1993 Kiel D6/368

D390,028 S * 2/1998 Caldwell D6/376

D447,355 S * 9/2001 Copeland D6/380

* cited by examiner

Primary Examiner—Doris V. Coles

Assistant Examiner—Mimosa De

(74) *Attorney, Agent, or Firm*—Roberts, Abokhair & Mardula LLC

(57) **CLAIM**

The ornamental design for folding barstool legs, as shown and described.

DESCRIPTION

FIG. 1 is a front view of folding barstool legs showing my new design;

FIG. 2 is a back view thereof;

FIG. 3 is a top plan view thereof;

FIG. 4 is a bottom plan view thereof;

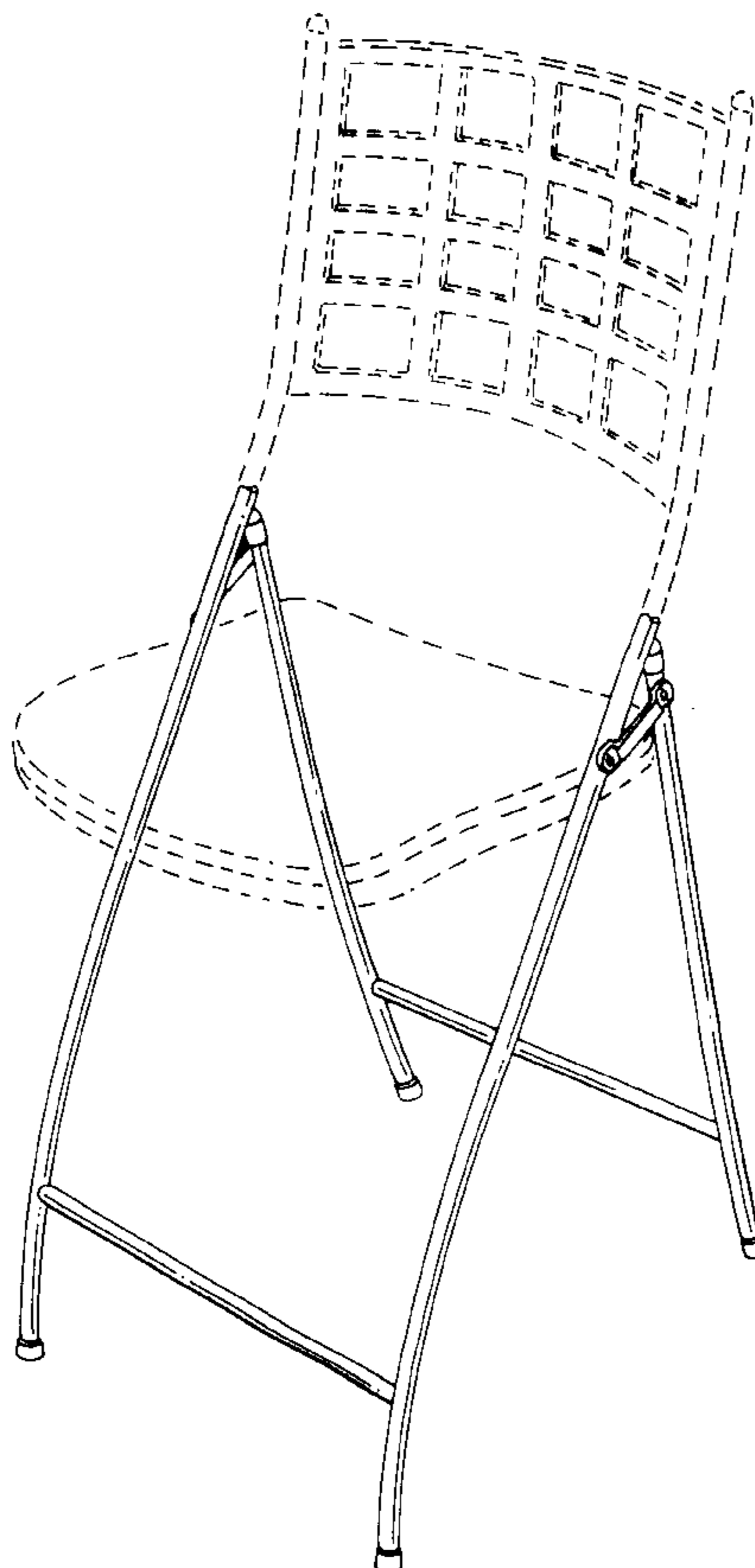
FIG. 5 is a left side elevational view thereof, the right side being a mirror image;

FIG. 6 is a perspective view thereof; and,

FIG. 7 is a left side elevational view thereof.

The broken line showing of a seat and a backrest is for illustrative purposes only and forms no part of the claimed design.

1 Claim, 5 Drawing Sheets



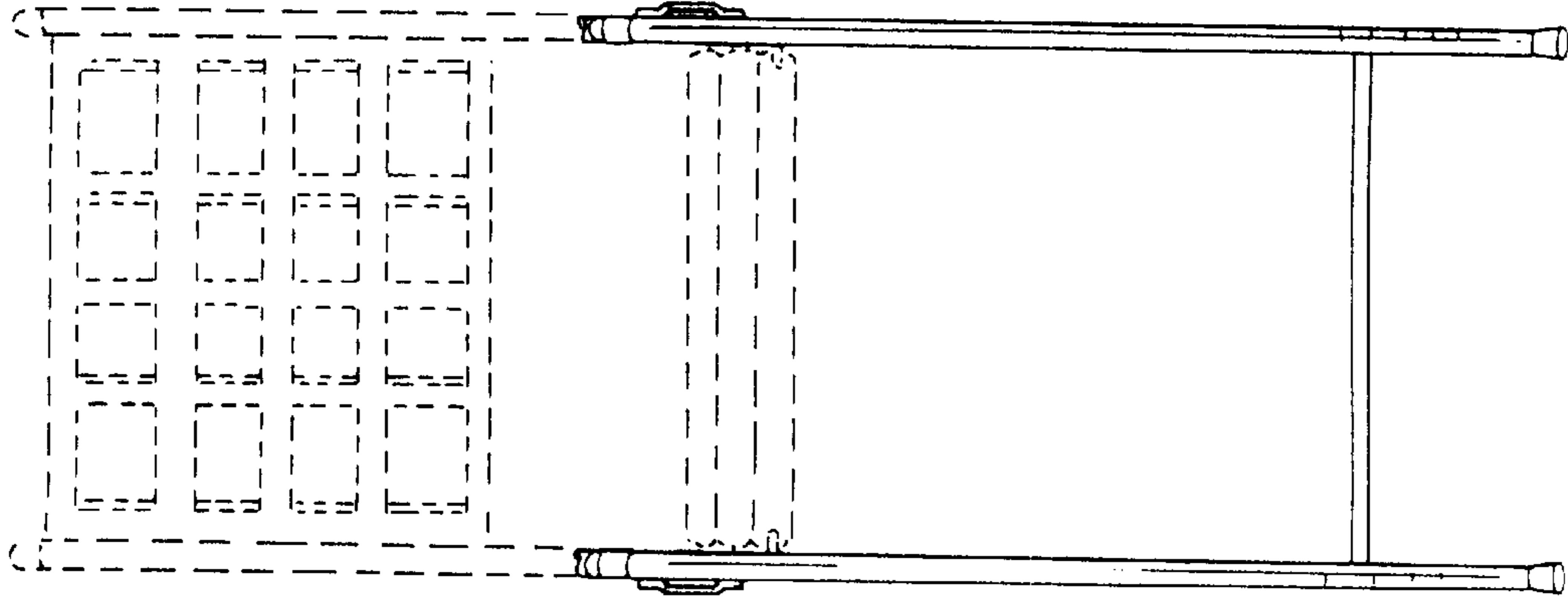


Fig. 1

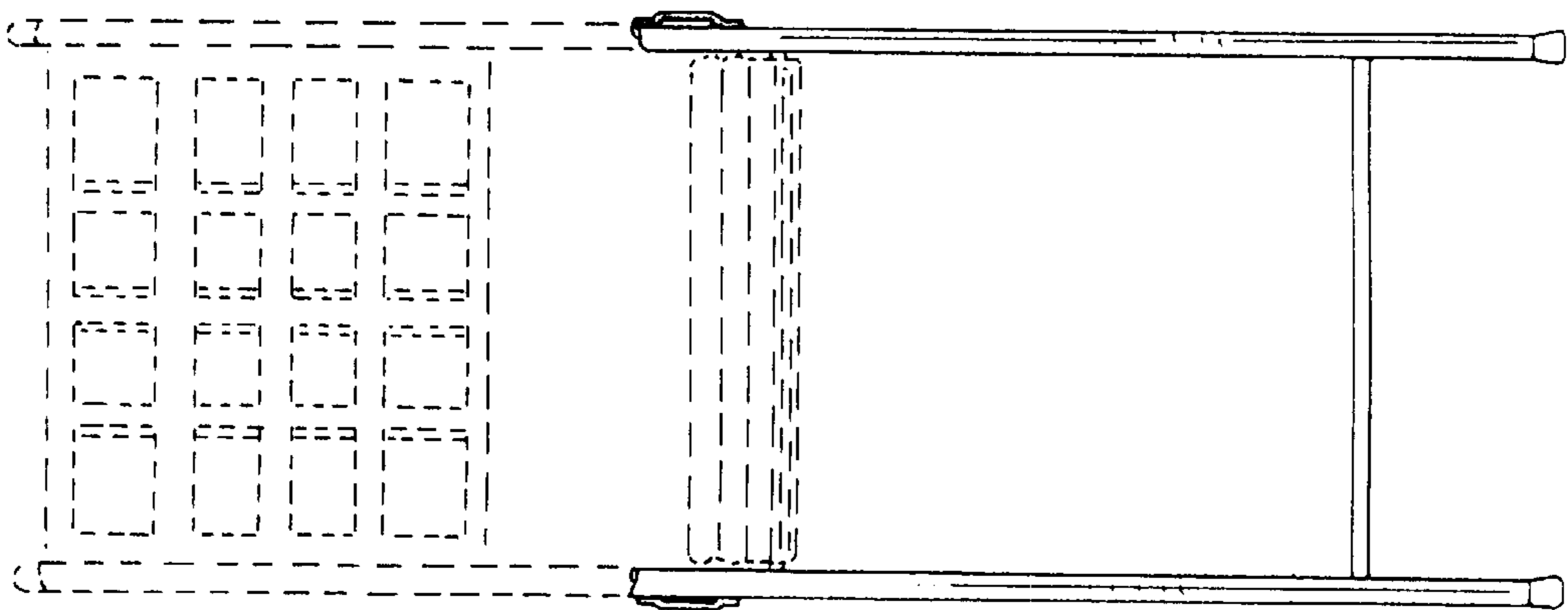


Fig. 2

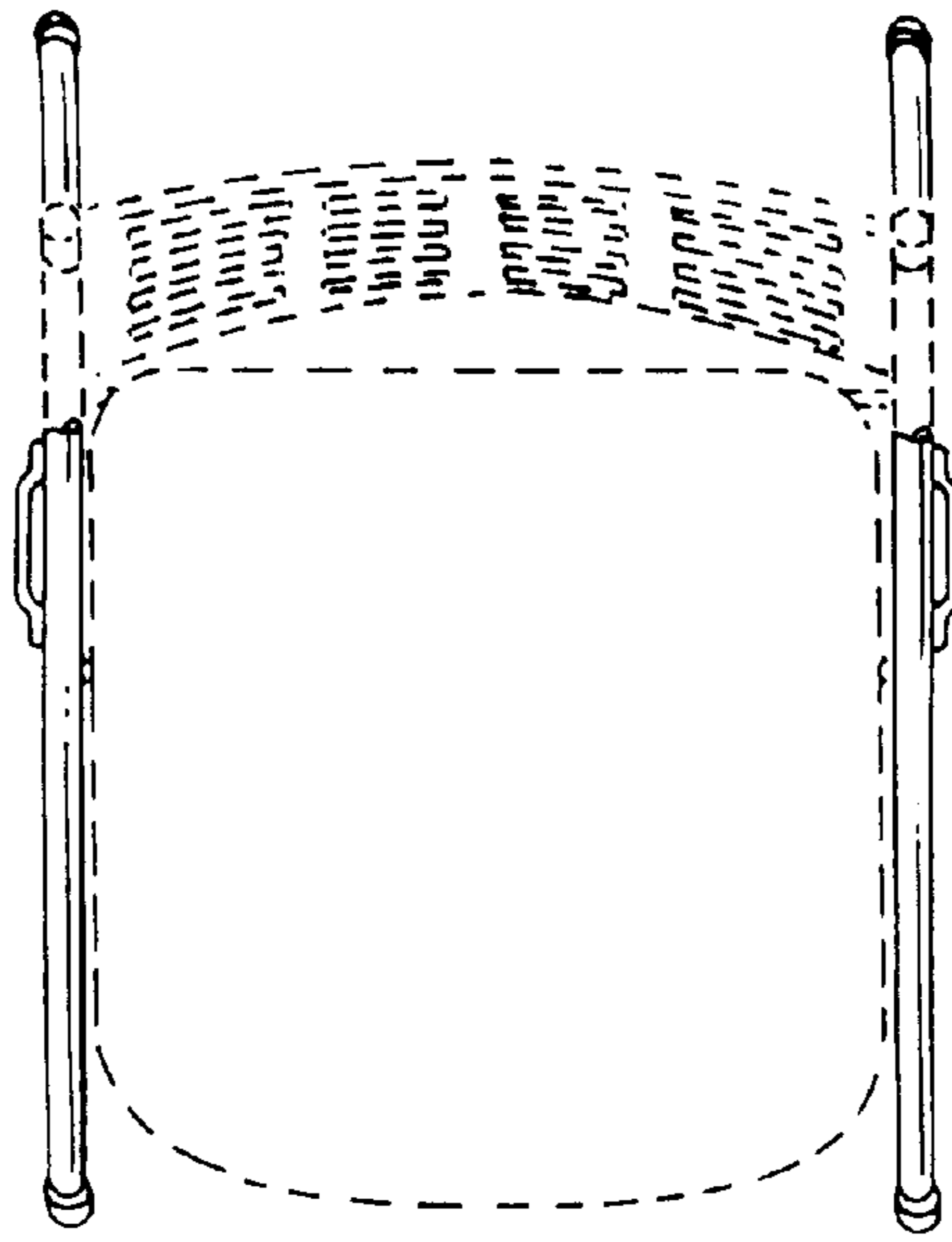


Fig. 3

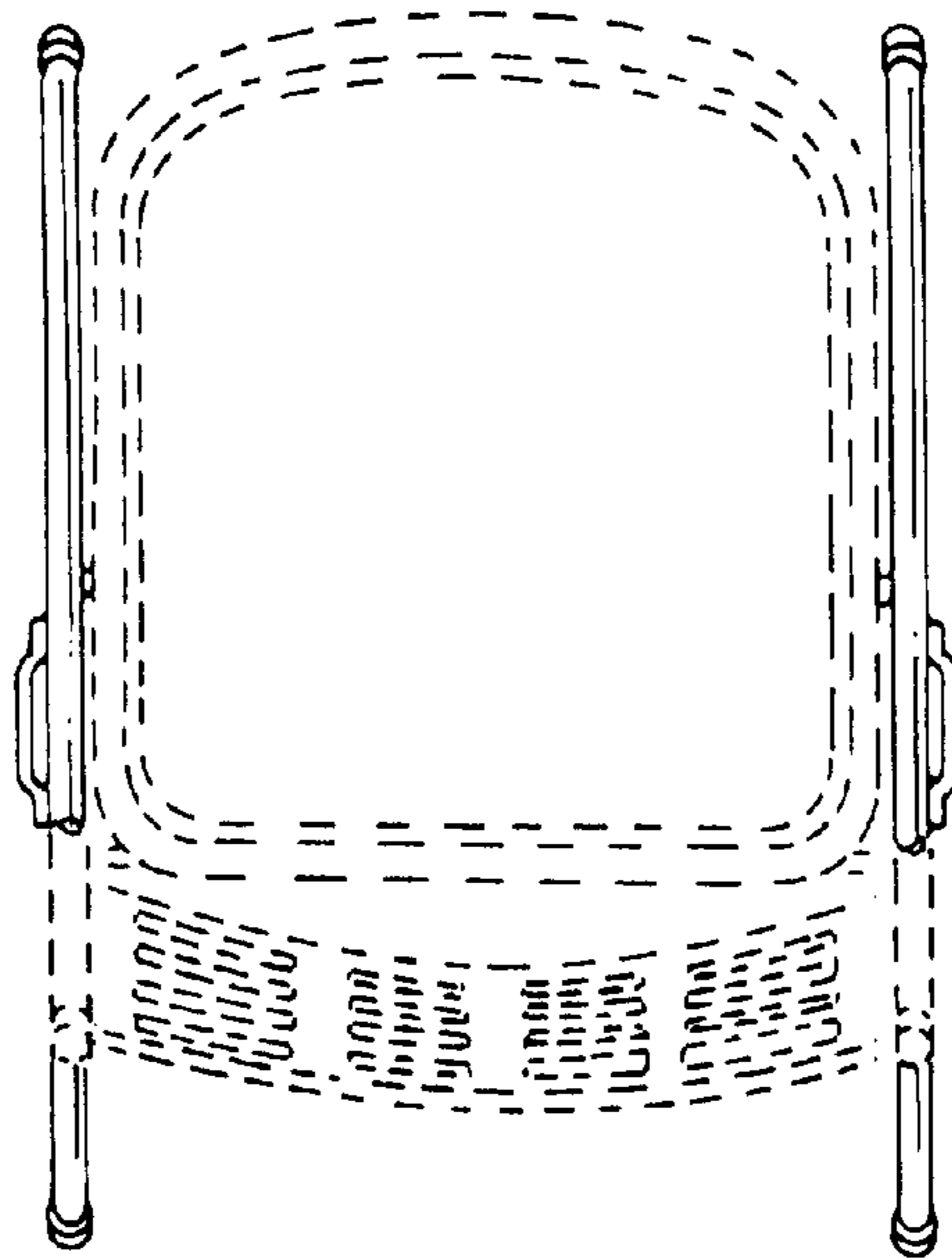


Fig. 4

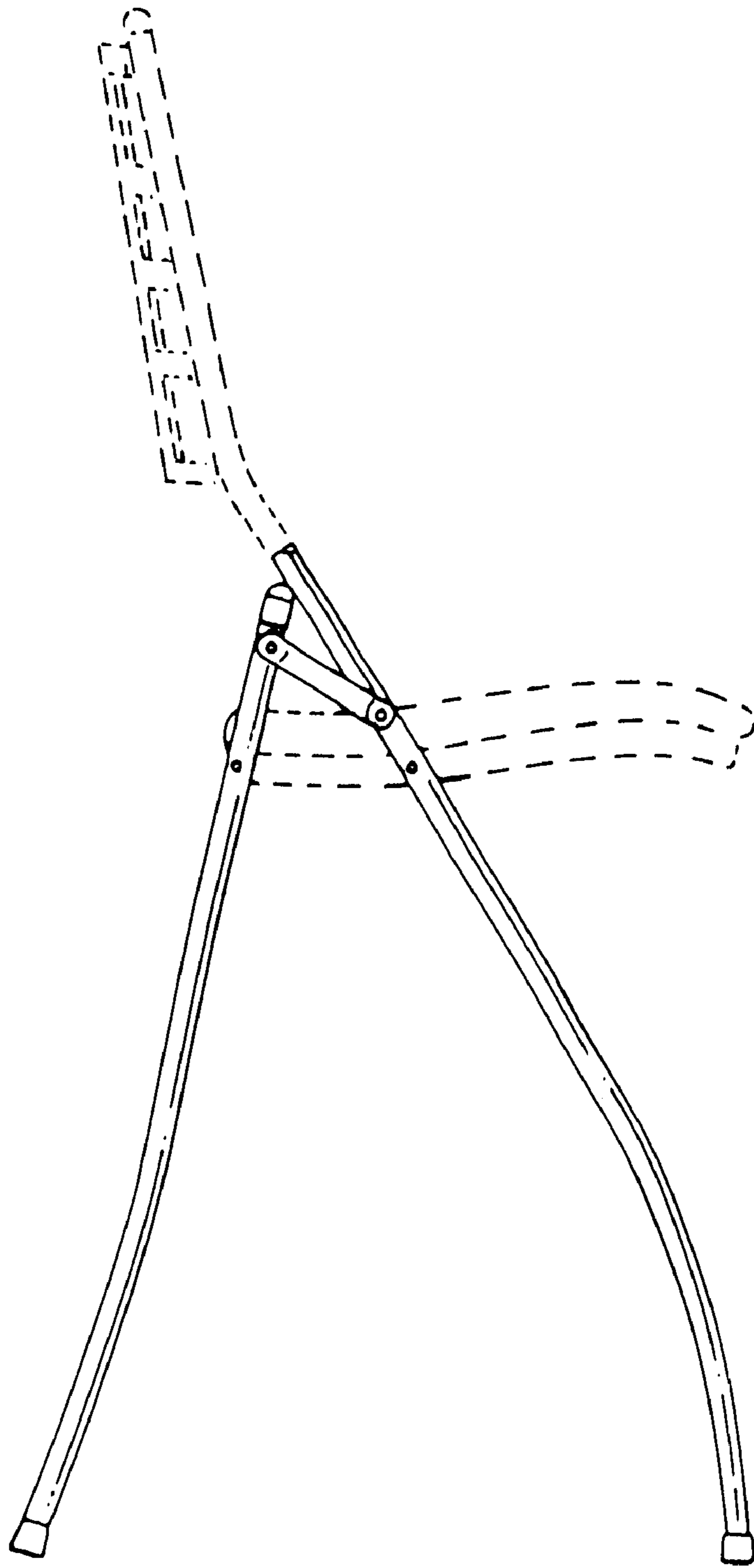


Fig. 5

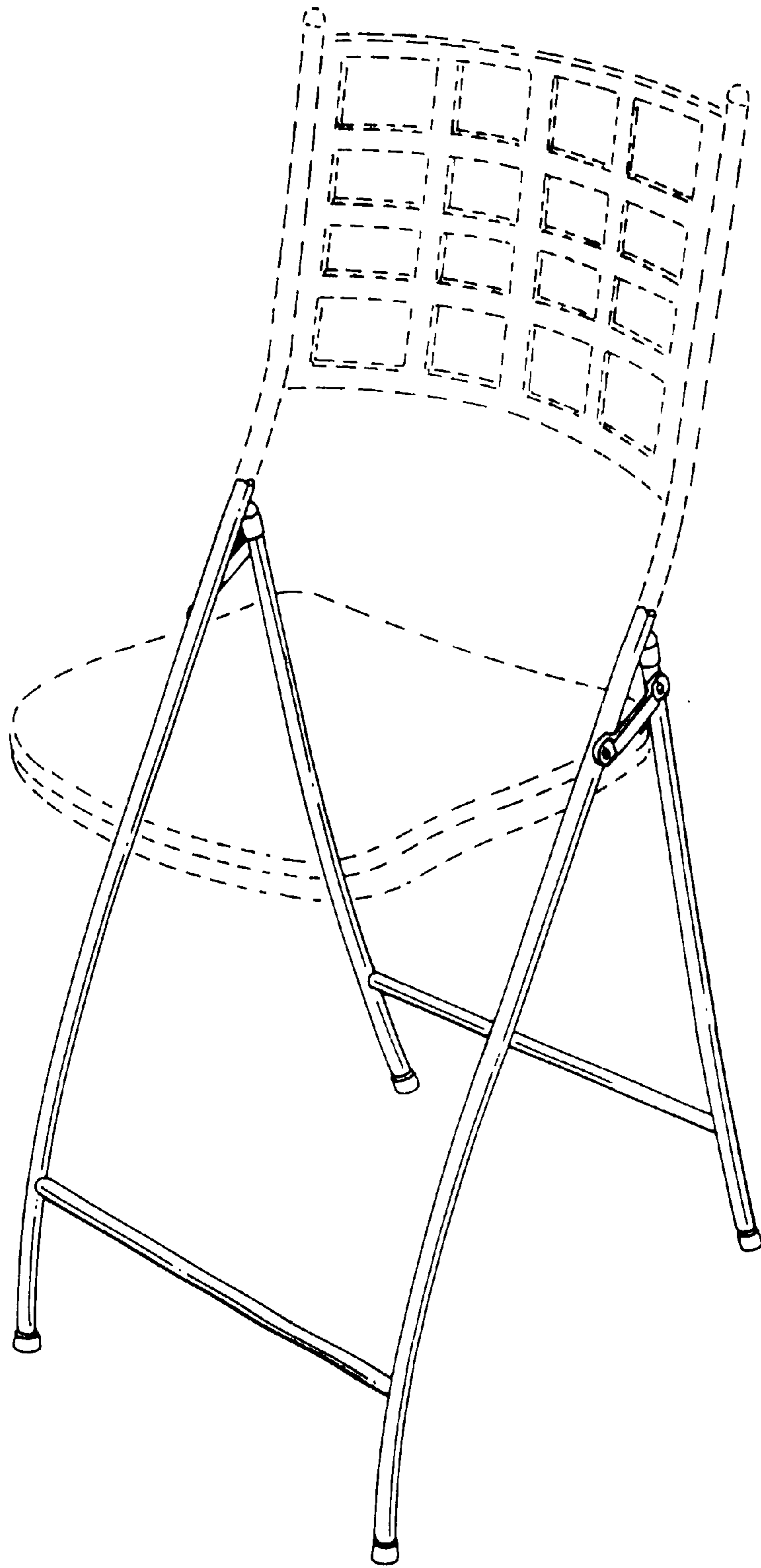


Fig. 6

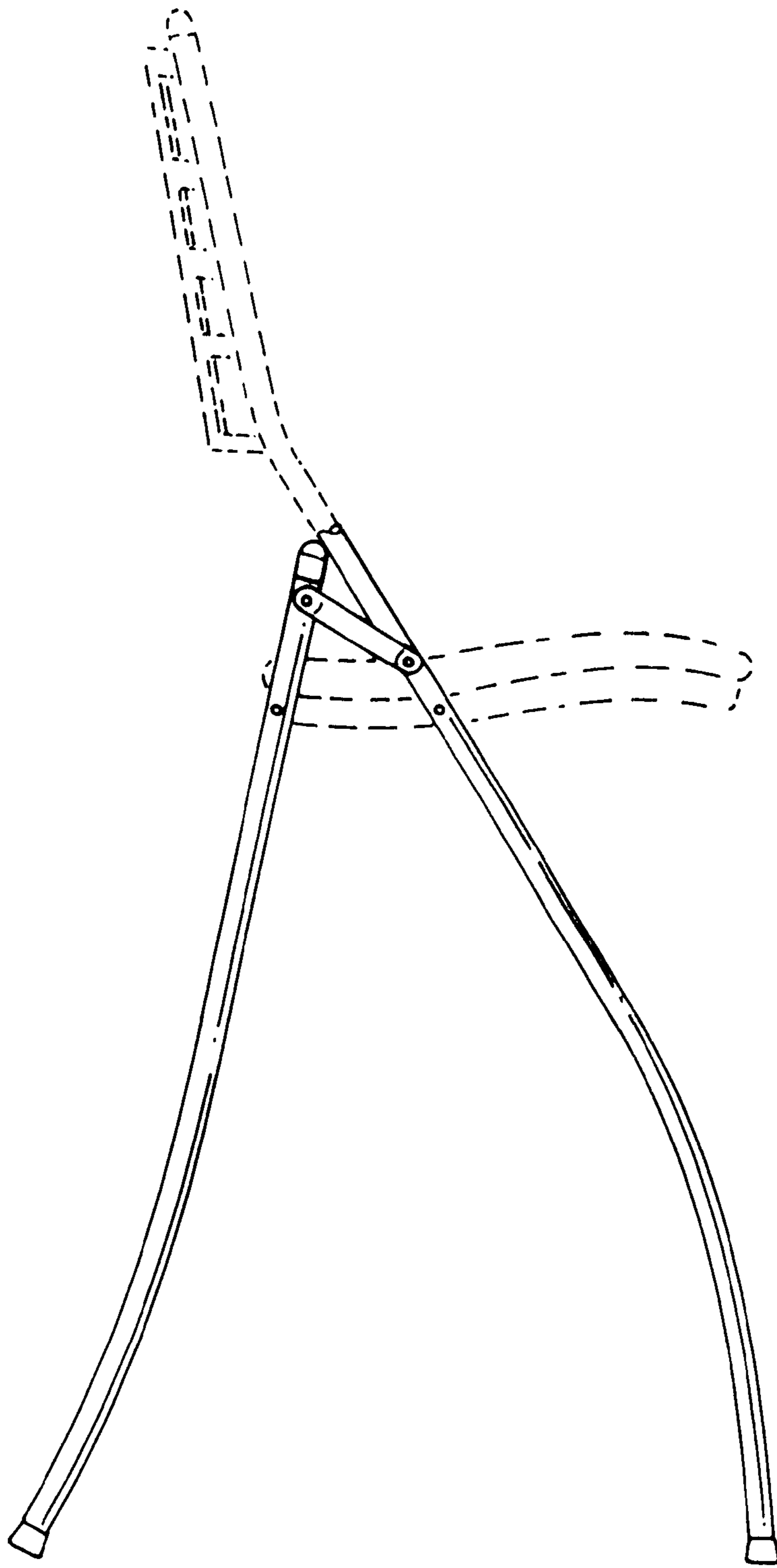


Fig. 7