



US00D467754S

(12) **United States Design Patent**
Chen

(10) **Patent No.:** **US D467,754 S**

(45) **Date of Patent:** **** Dec. 31, 2002**

(54) **UTILITY DESK**

(76) Inventor: **Simon Chen**, #5 Feng Ping 1st Rd.,
Kaohsiung (TW)

(**) Term: **14 Years**

(21) Appl. No.: **29/152,251**

(22) Filed: **Oct. 22, 2001**

(51) **LOC (7) Cl.** **06-03**

(52) **U.S. Cl.** **D6/429; D6/486**

(58) **Field of Search** D6/480-489, 495-499,
D6/429-430; 108/150, 153.1, 155, 156,
161, 50.01, 50.02, 144.11, 144.18, 147.19,
146, 147.2; 248/188, 188.1, 188.8, 454,
458

(56) **References Cited**

U.S. PATENT DOCUMENTS

4,077,333	A	*	3/1978	Ballas	108/6
D270,588	S	*	9/1983	Kemple	D6/486
5,144,898	A	*	9/1992	Posly	108/148
D385,731	S	*	11/1997	Yurk	D6/487
D418,997	S	*	1/2000	Leveen et al.	D6/429

* cited by examiner

Primary Examiner—Janice E. Seeger

(74) *Attorney, Agent, or Firm*—Sheldon & Mak; Denton L. Anderson

(57) **CLAIM**

The ornamental design for a utility desk, as shown and described.

DESCRIPTION

FIG. 1 is a perspective view of a utility desk having features of the invention;

FIG. 2 is a first side view in partial perspective of the utility desk illustrated in FIG. 1;

FIG. 3 is a reverse side view in partial perspective of the utility desk illustrated in FIG. 1;

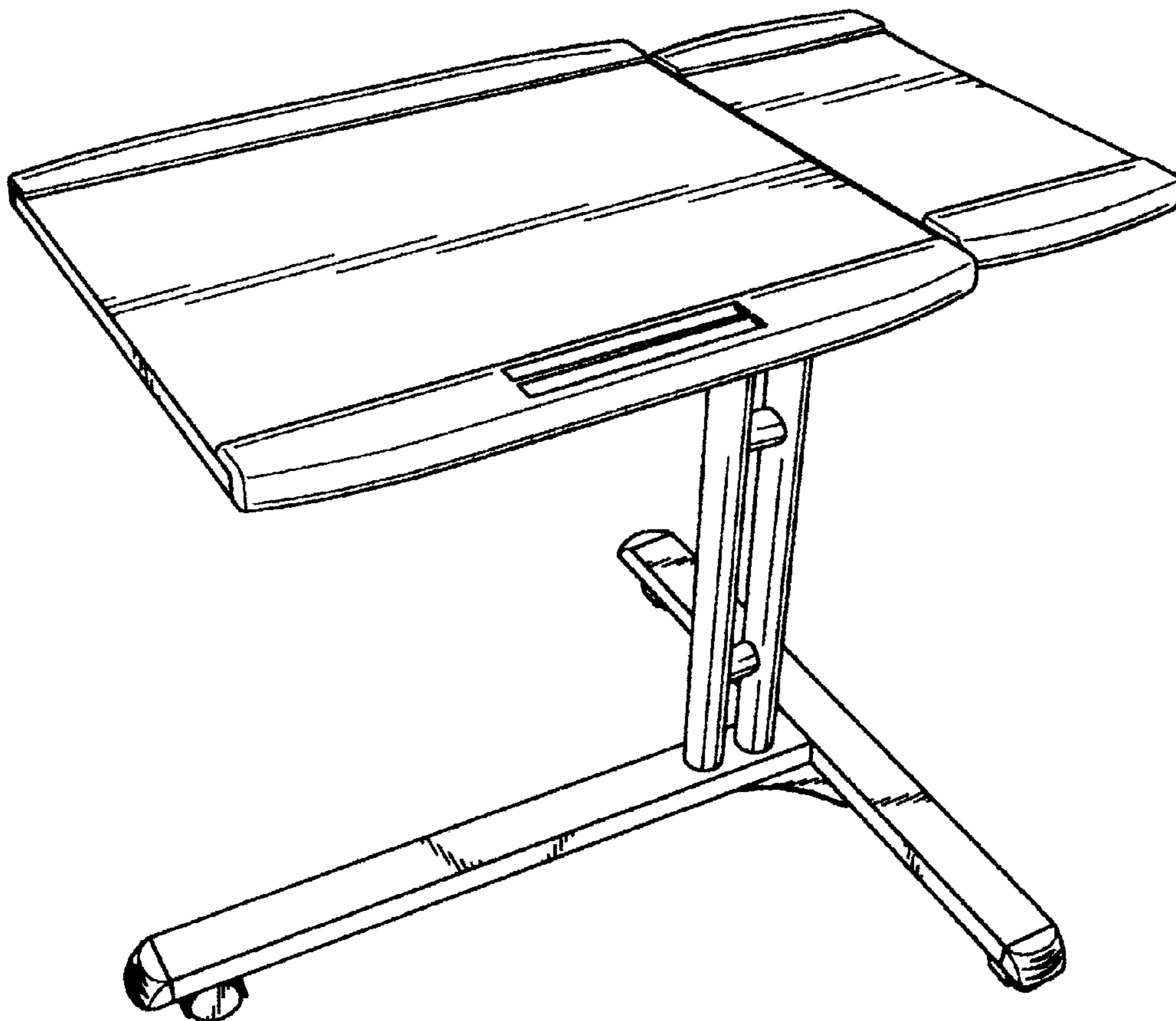
FIG. 4 is a front view in partial perspective of the utility desk illustrated in FIG. 1;

FIG. 5 is a perspective front view of the utility desk illustrated in FIG. 1;

FIG. 6 is a top view of the utility desk illustrated in FIG. 1; and,

FIG. 7 is a second perspective of the utility desk illustrated in FIG. 1, wherein one of the two planar surfaces is shown in a canted position.

1 Claim, 4 Drawing Sheets



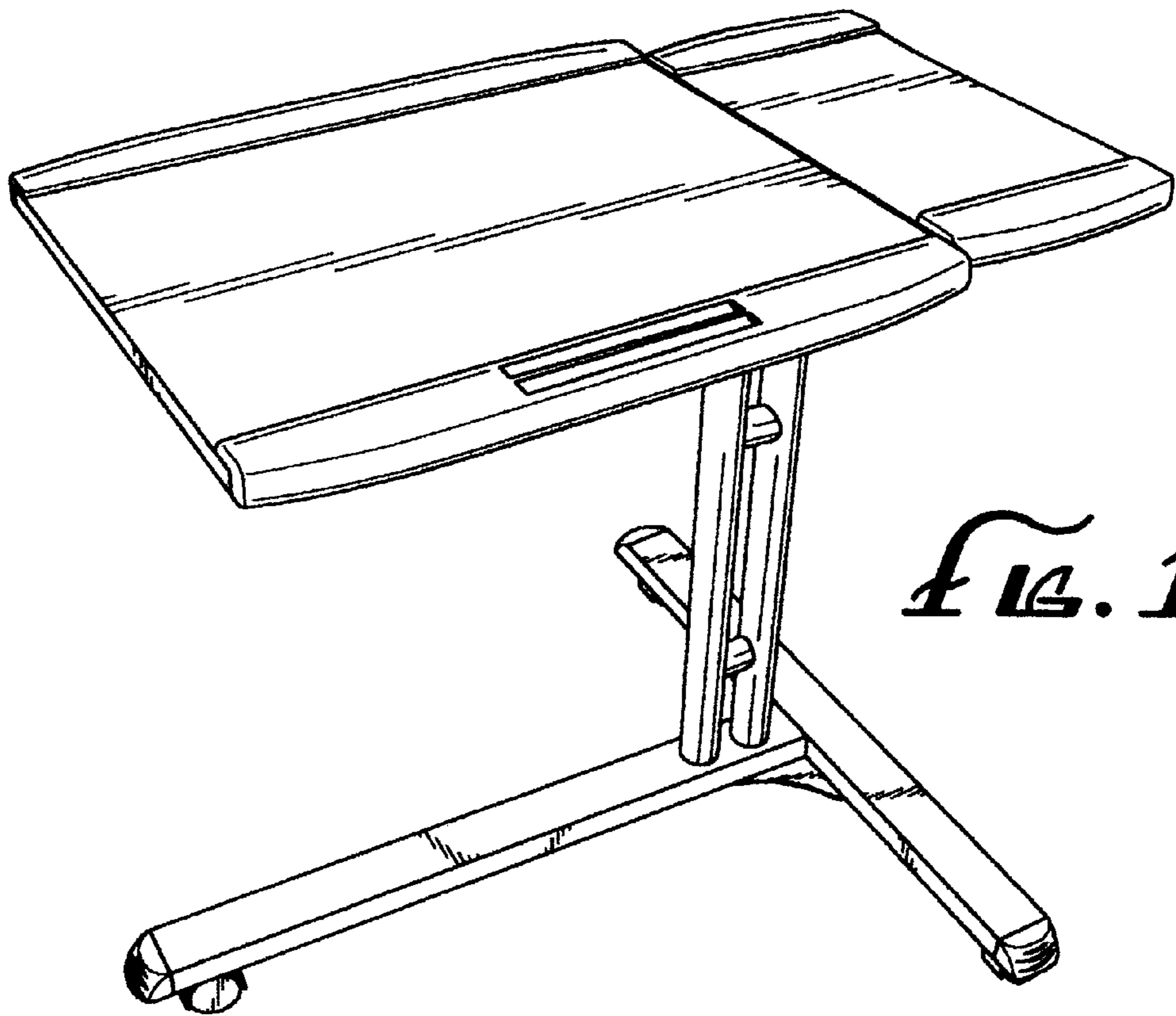


FIG. 1

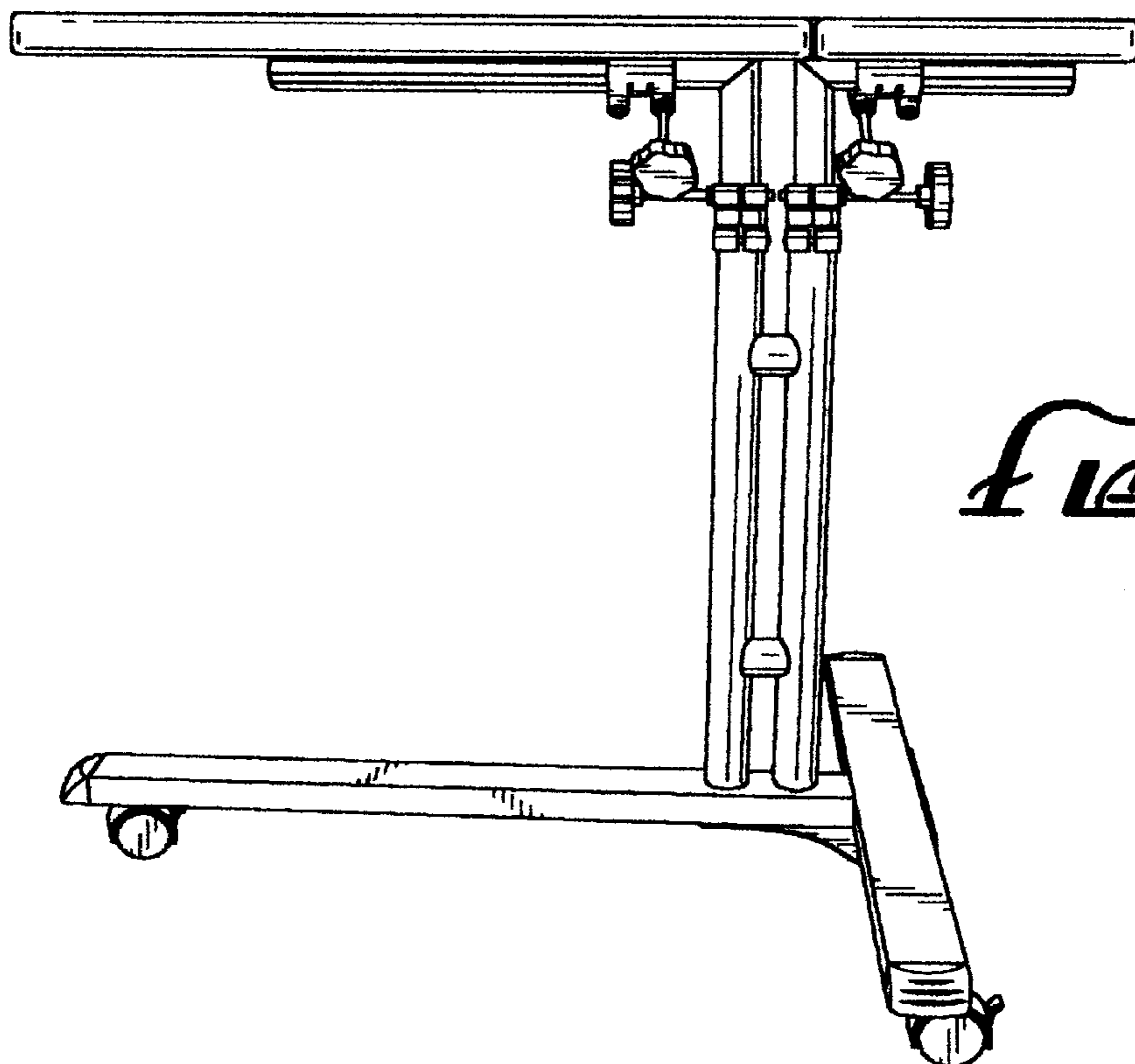


FIG. 2

FIG. 3

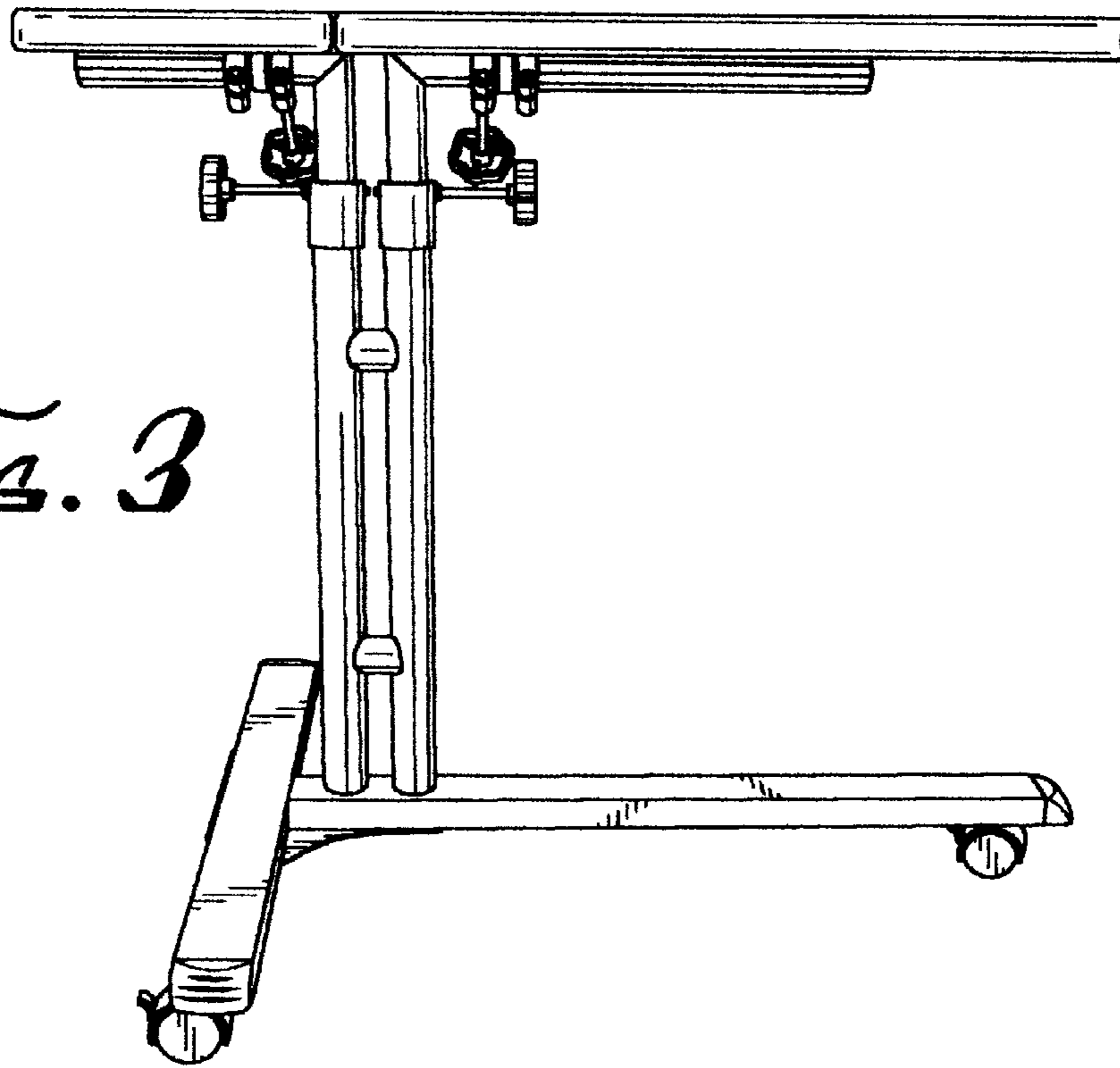
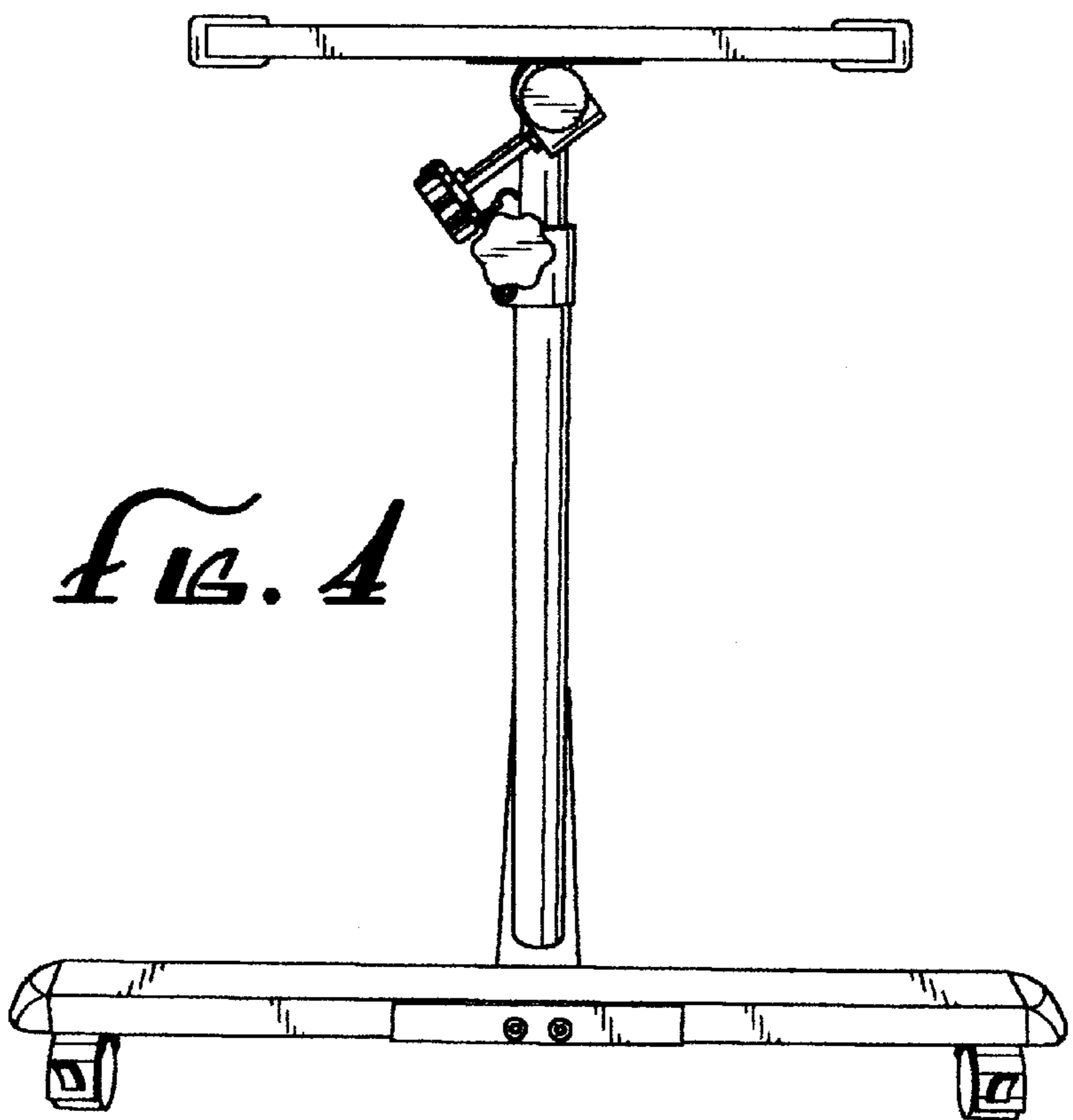


FIG. 4



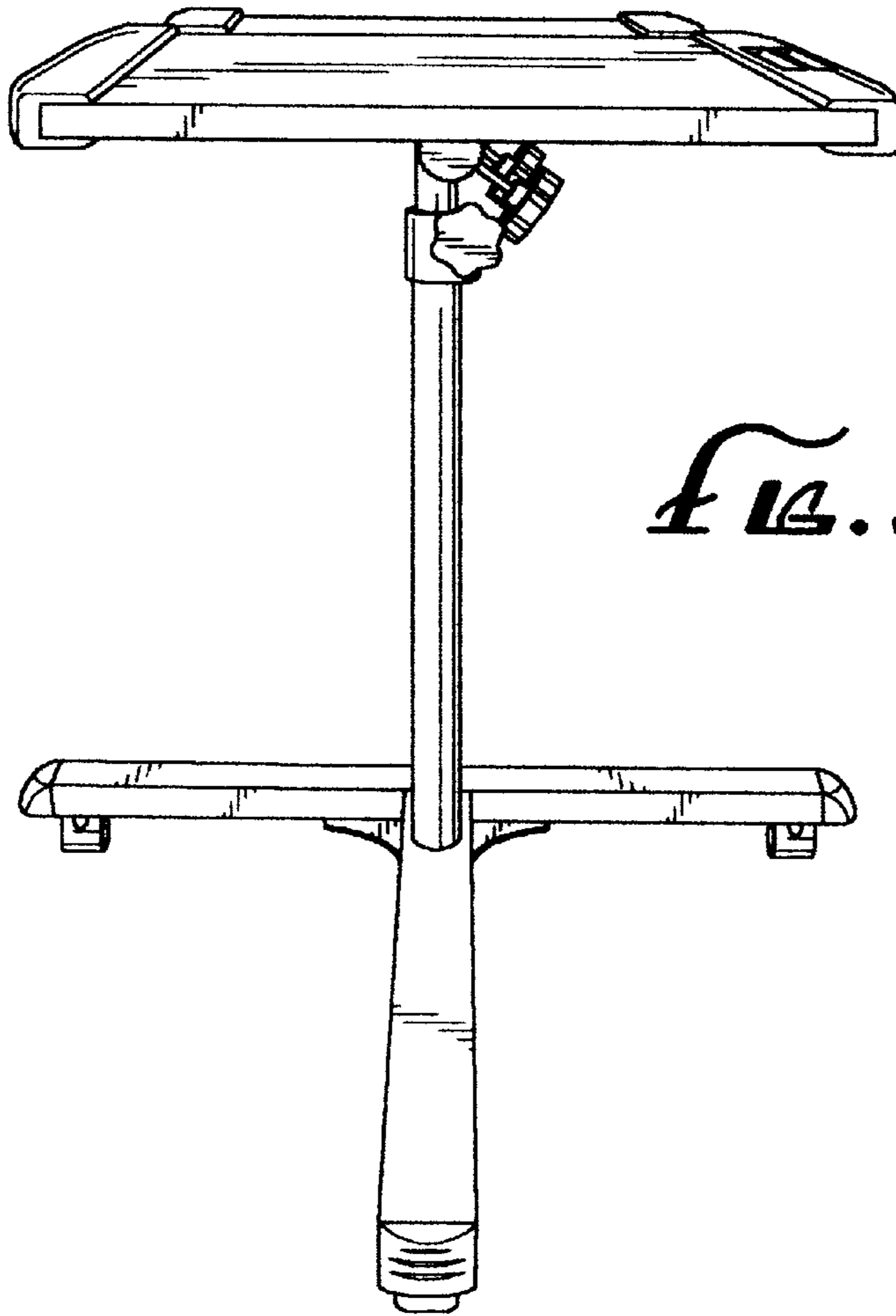
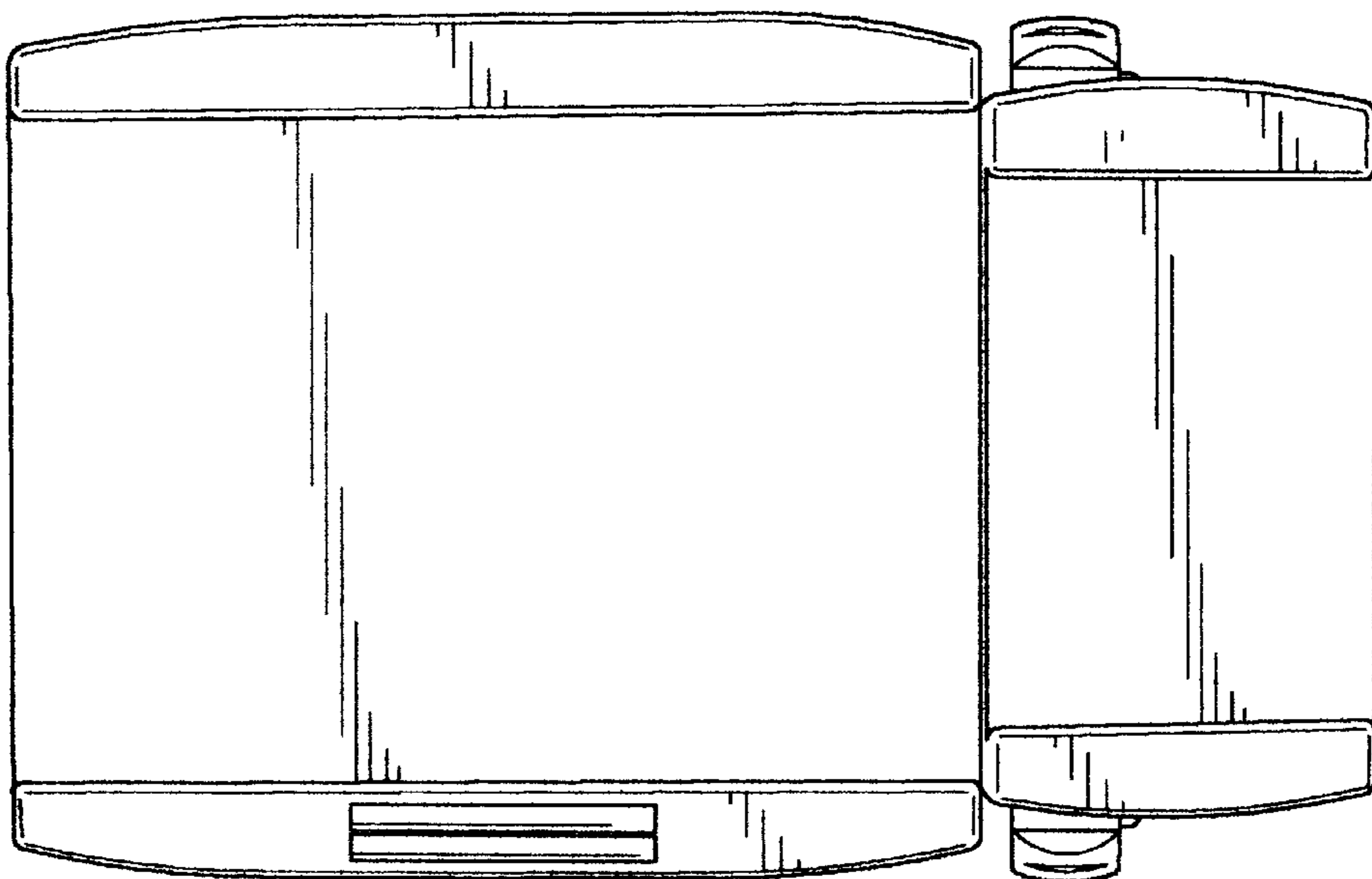


FIG. 5

FIG. 6



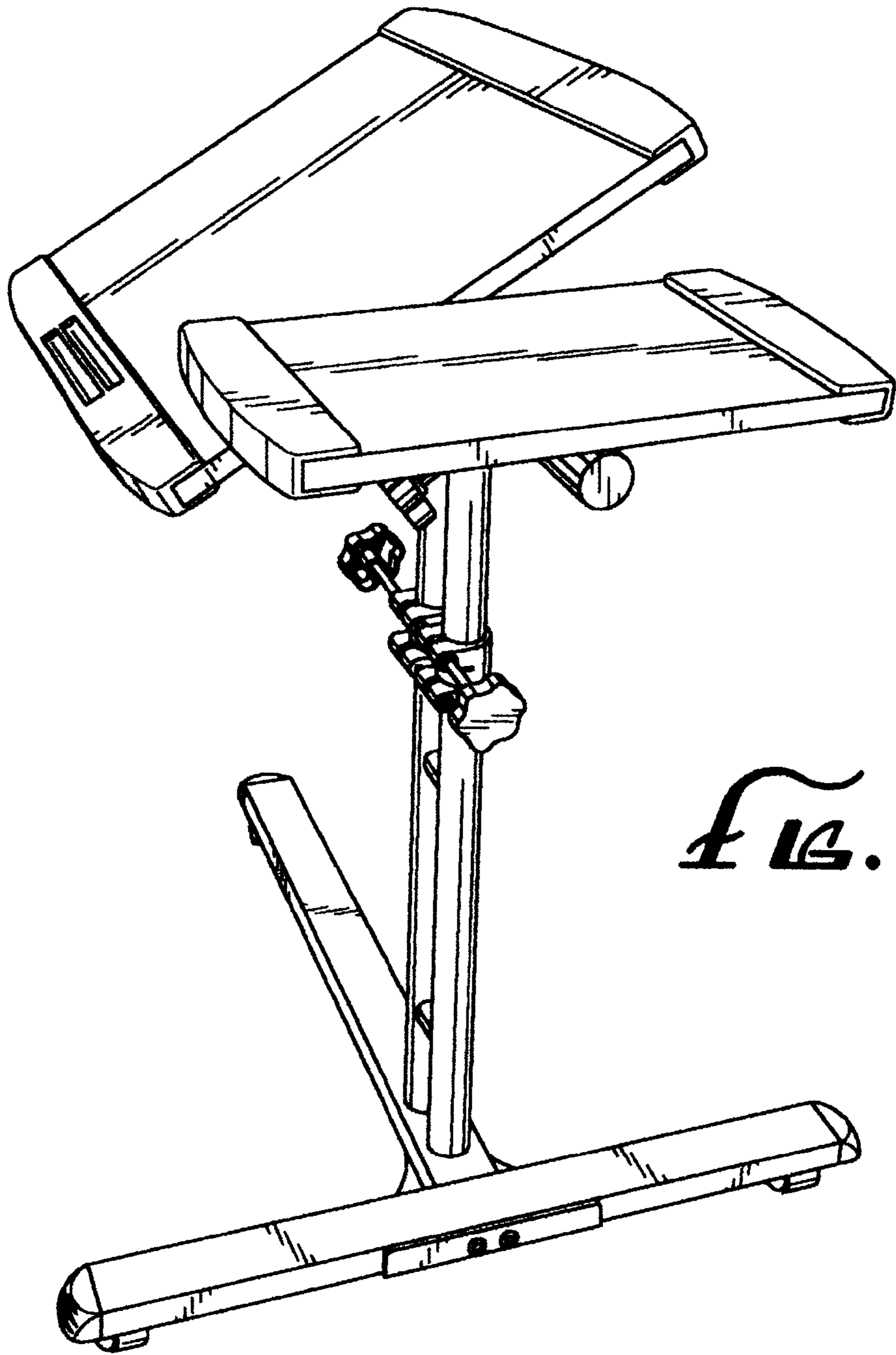


FIG. 7