



US00D467753S

(12) **United States Design Patent**
Simpson

(10) **Patent No.:** **US D467,753 S**

(45) **Date of Patent:** **** Dec. 31, 2002**

(54) **KIOSK**

D393,760 S * 4/1998 Allon D6/422
D408,084 S * 4/1999 Davis, Jr. et al. D25/16

(75) Inventor: **Kevin Robert Simpson**, Dunfermline
(GB)

* cited by examiner

(73) Assignee: **POD303 Limited** (GB)

Primary Examiner—Doris Clark

(**) Term: **14 Years**

(74) *Attorney, Agent, or Firm*—Gifford, Krass, Groh,
Sprinkle, Anderson & Citkowski, P.C.

(21) Appl. No.: **29/126,806**

(57) **CLAIM**

(22) Filed: **Jul. 25, 2000**

The ornamental design for a kiosk, as shown.

(30) **Foreign Application Priority Data**

DESCRIPTION

Jan. 25, 2000 (GB) 2089745
Jan. 25, 2000 (GB) 2089746

FIG. 1 is a top view of a first embodiment of a kiosk according to my design in a first configuration;

(51) **LOC (7) Cl.** **06-03**

FIG. 2 is a right side view of the kiosk of FIG. 1;

(52) **U.S. Cl.** **D6/397**

FIG. 3 is a left side view of the kiosk of FIG. 1;

(58) **Field of Search** D25/16; D6/396,
D6/397, 399, 422

FIG. 4 is a top view of the kiosk of FIG.1 in a second configuration;

(56) **References Cited**

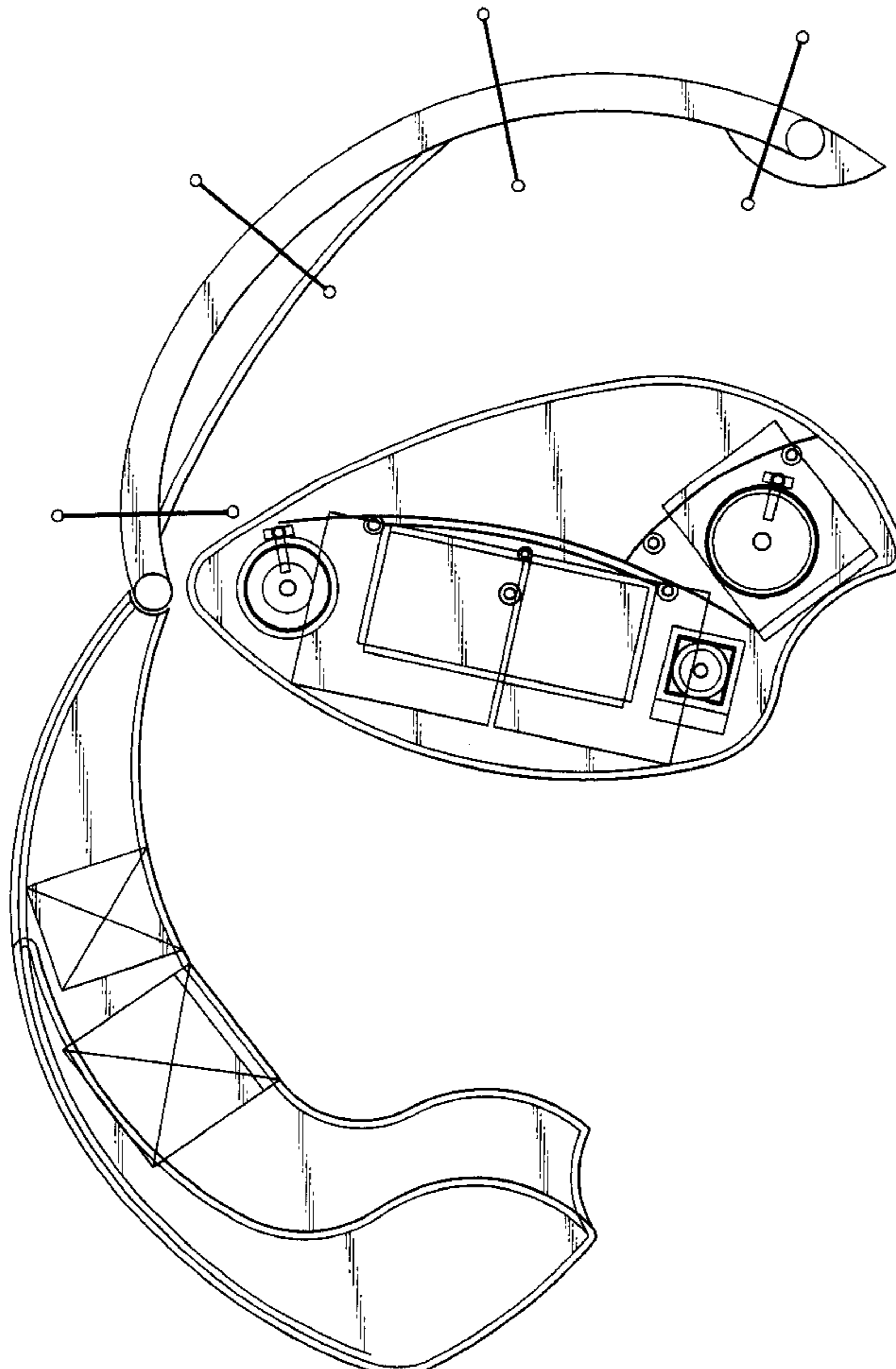
FIG. 5 is a right side view of the kiosk of FIG. 4; and,

FIG. 6 is a left side view of the kiosk of FIG. 4.

U.S. PATENT DOCUMENTS

D335,780 S * 5/1993 Gordon D6/397

1 Claim, 6 Drawing Sheets



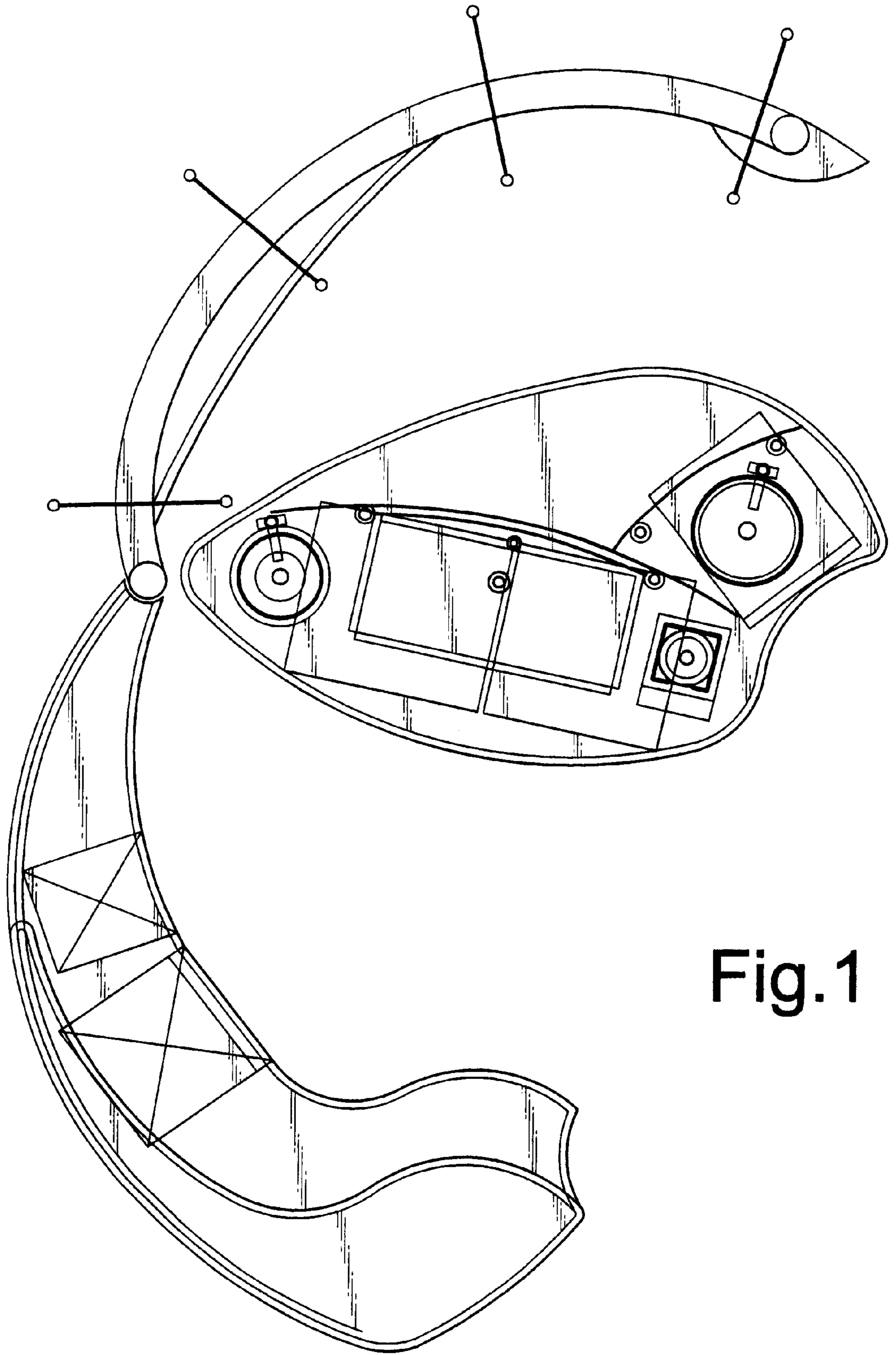
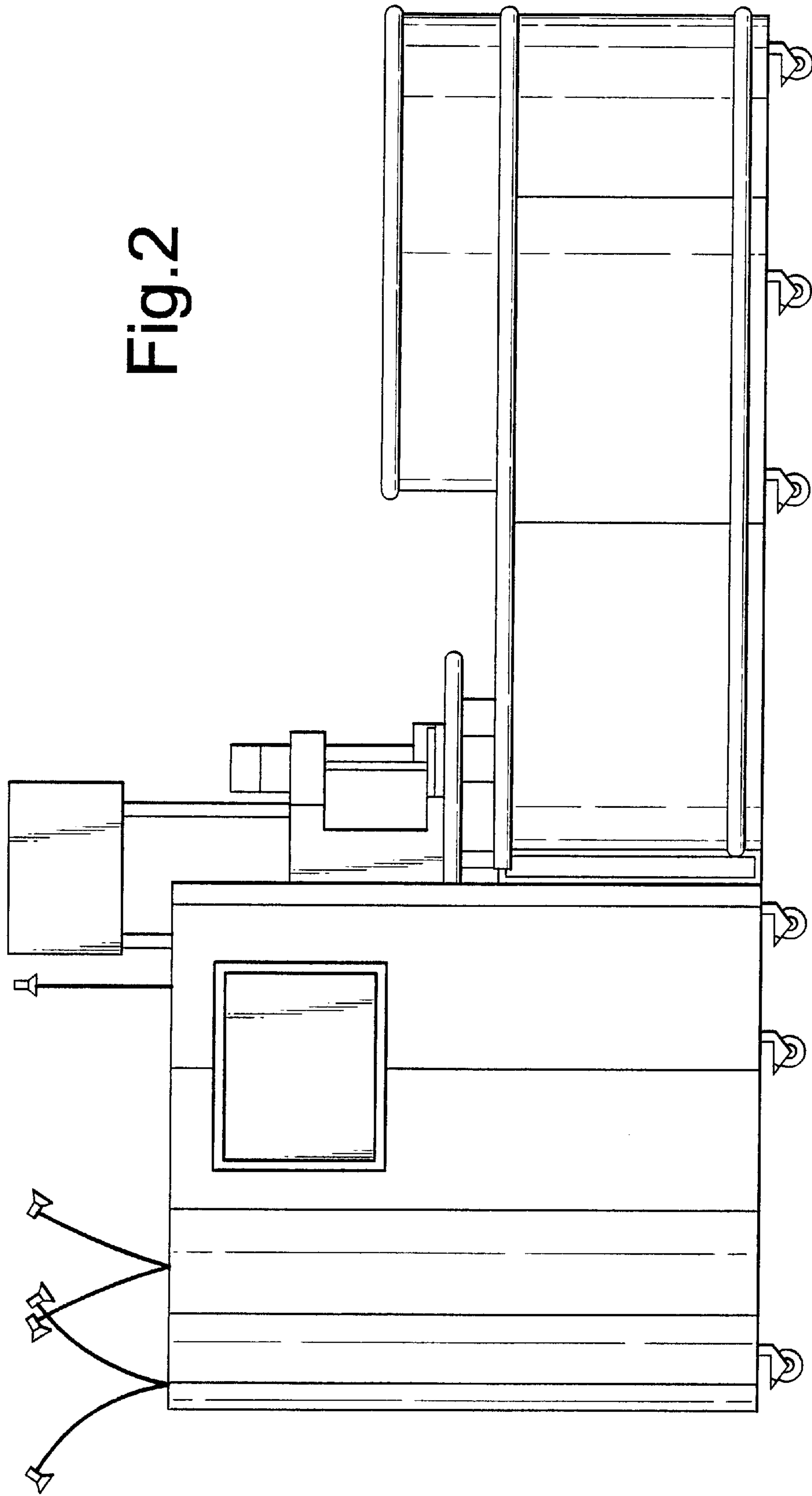


Fig. 1

Fig. 2



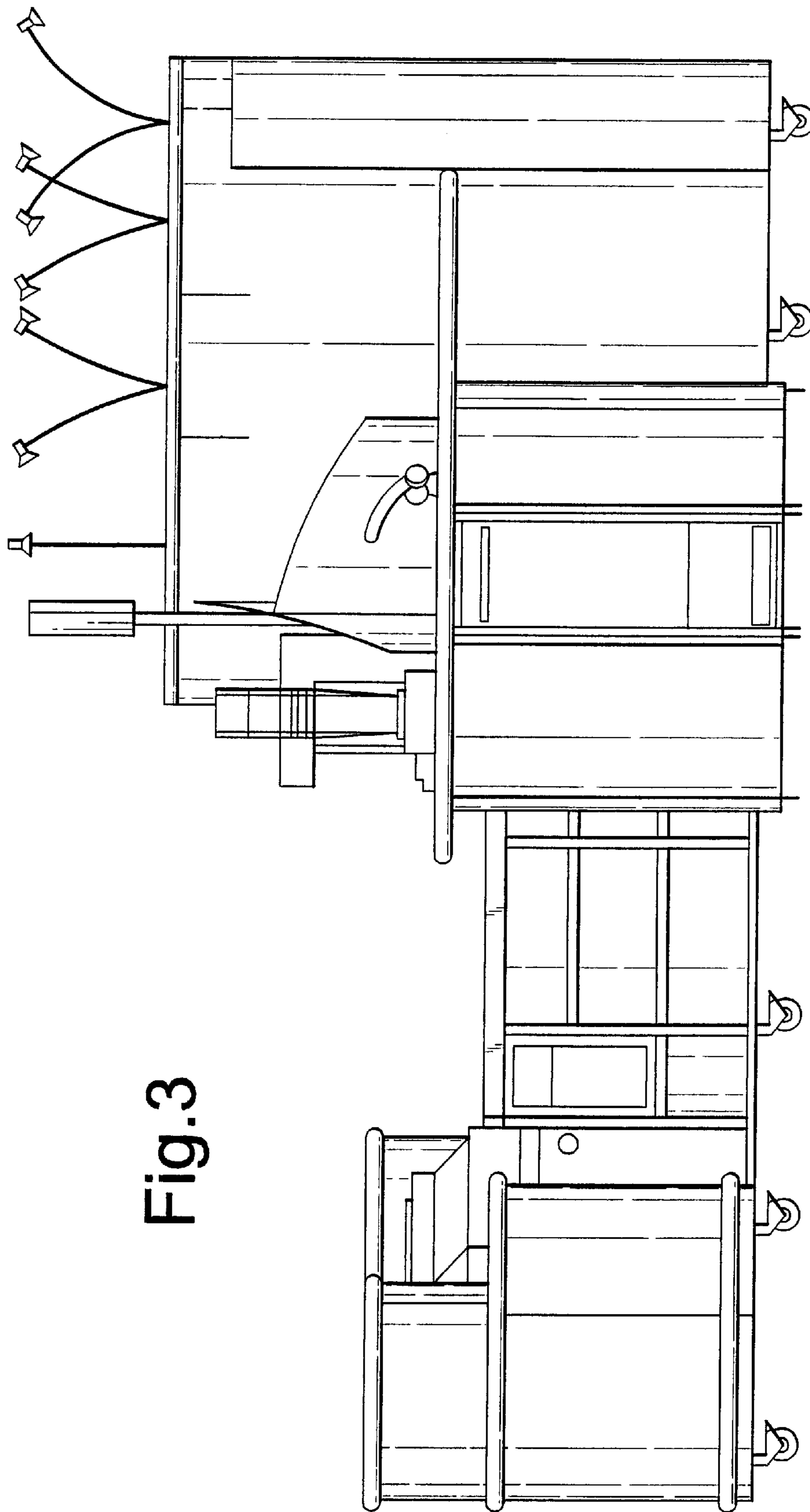


Fig. 3

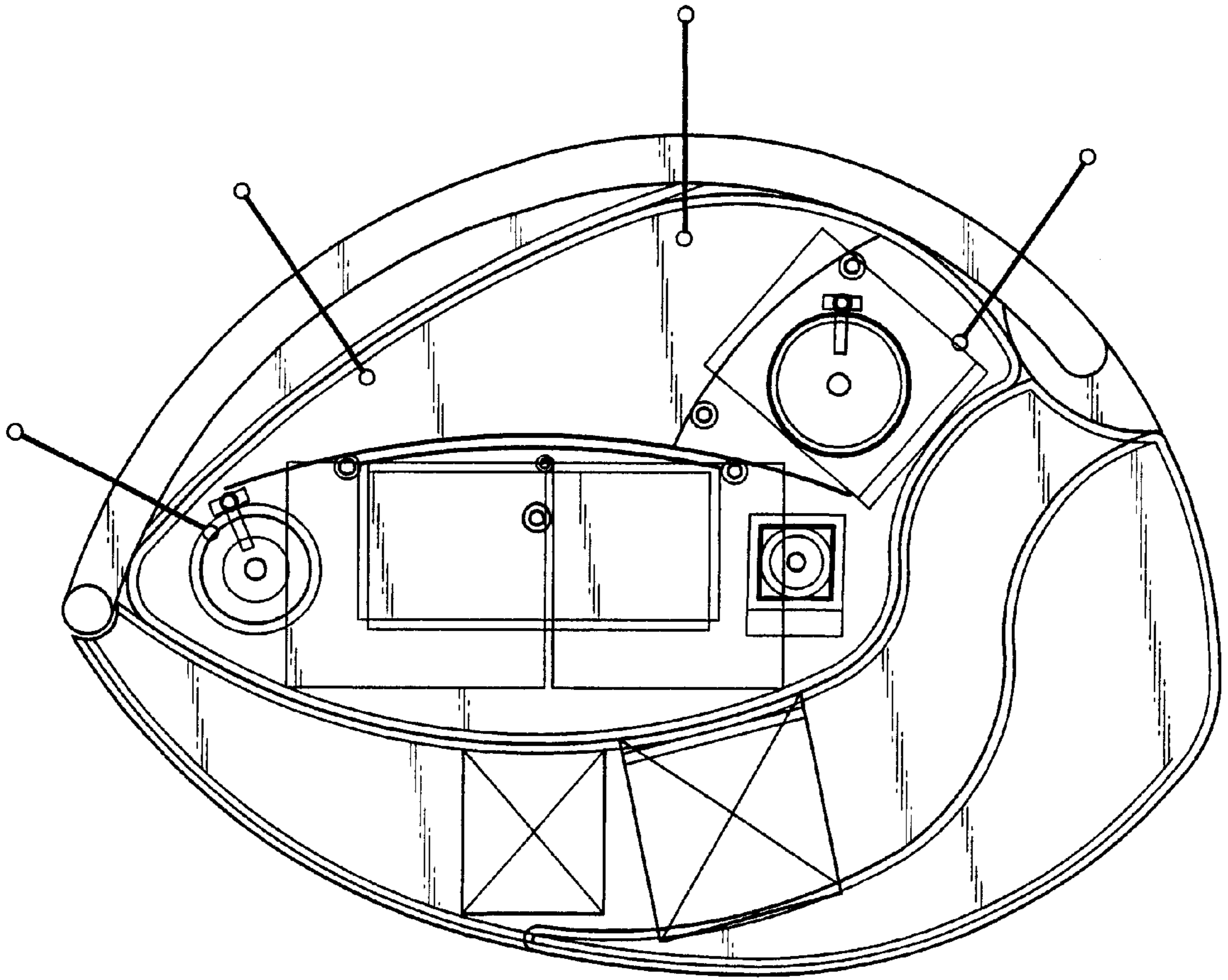


Fig.4

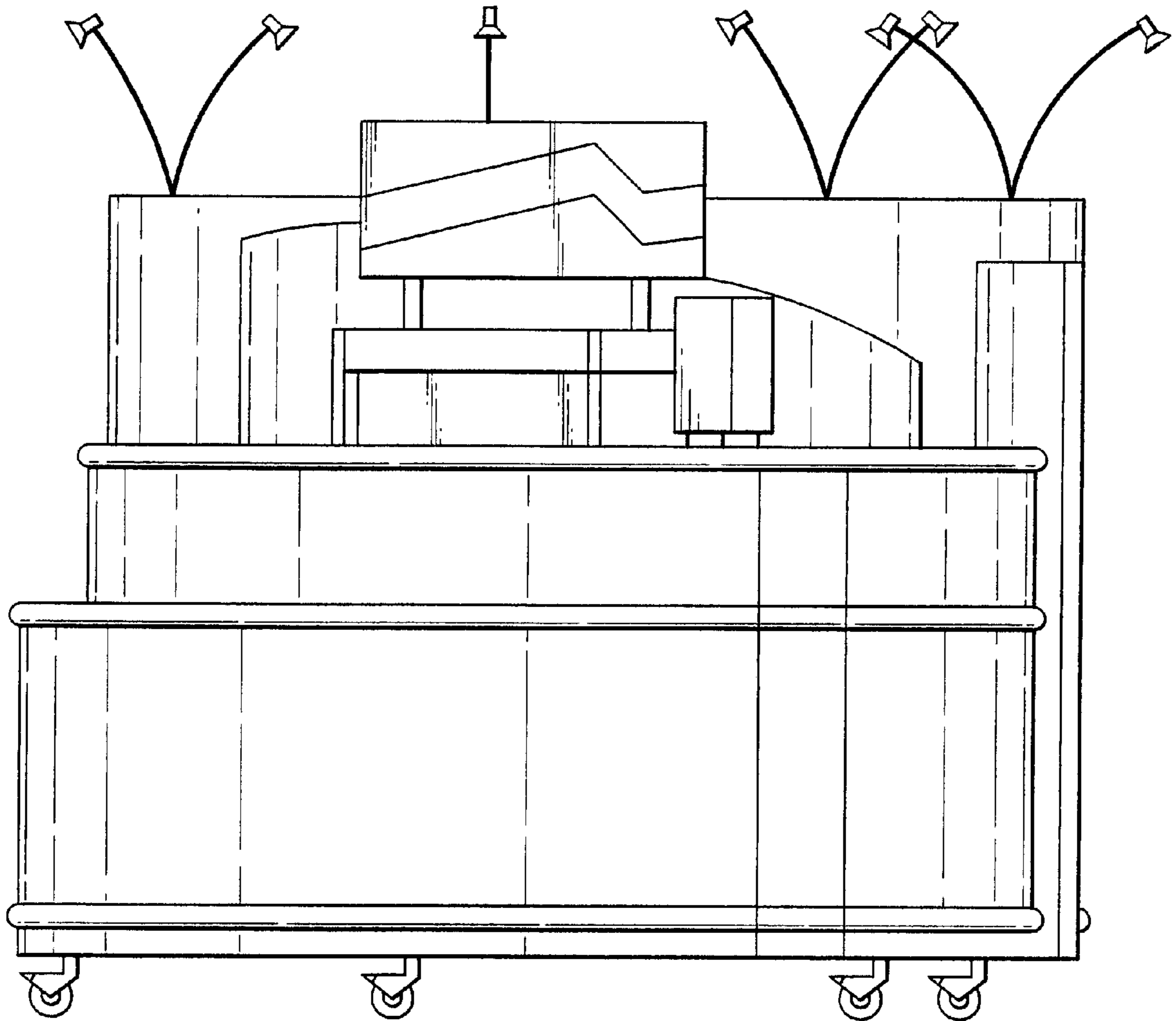


Fig.5

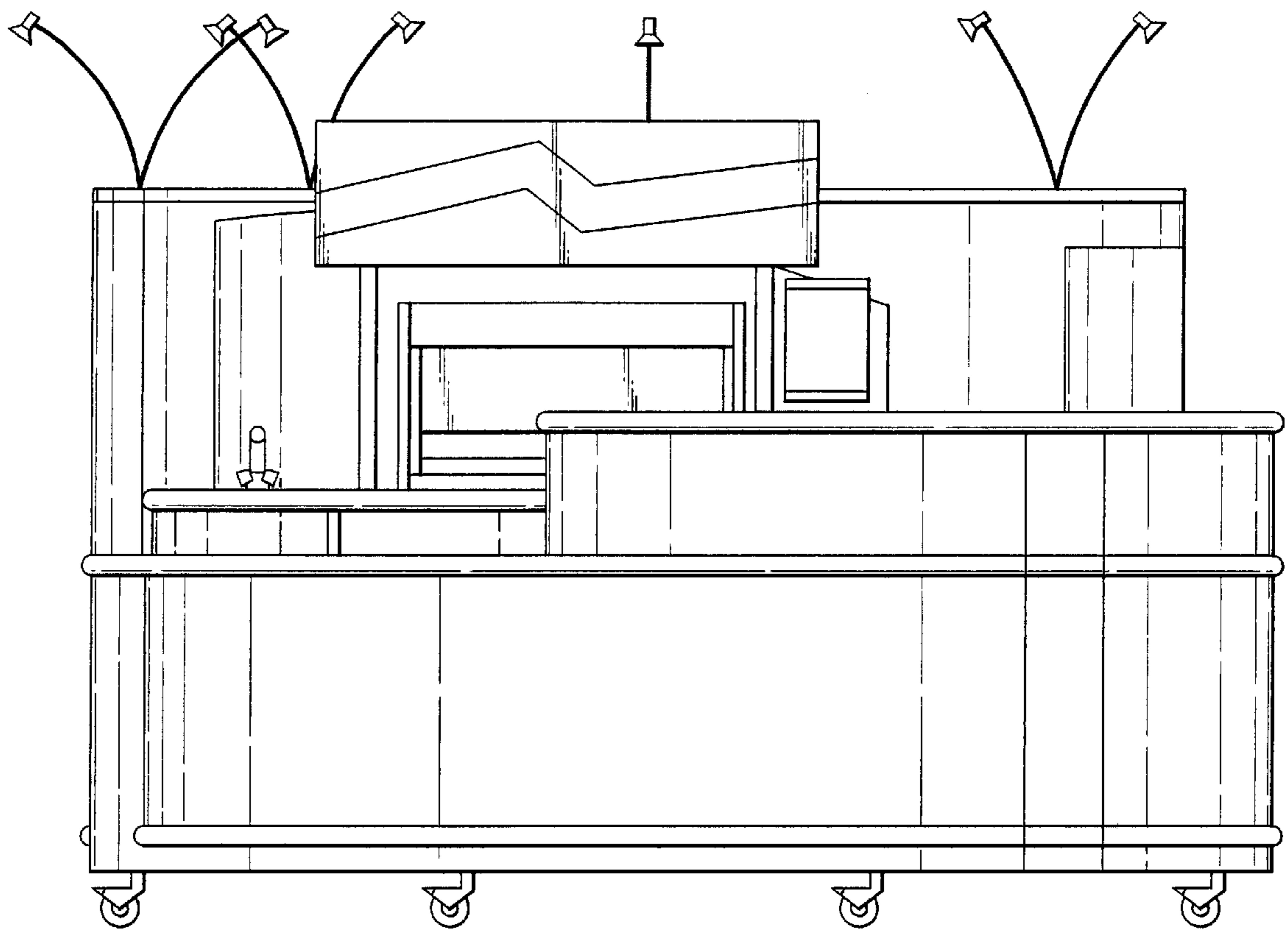


Fig.6