



US00D467741S

(12) **United States Design Patent**  
**Pomeroy et al.**

(10) **Patent No.:** **US D467,741 S**

(45) **Date of Patent:** **\*\* Dec. 31, 2002**

(54) **DOUBLE GLIDER**

(75) Inventors: **Charles Pomeroy**, South Bend, IN  
(US); **John T. Bycraft**, South Bend, IN  
(US)

(73) Assignee: **Jack-Post Corporation**, Buchanan, MI  
(US)

(\*\*) Term: **14 Years**

(21) Appl. No.: **29/154,776**

(22) Filed: **Jan. 27, 2002**

(51) **LOC (7) Cl.** ..... **06-01**

(52) **U.S. Cl.** ..... **D6/346**

(58) **Field of Search** ..... D6/334, 335, 336,  
D6/344, 346, 347, 360, 370, 381, 500-502;  
297/157.1, 148, 160, 171-173, 174 R, 232,  
280-282, 287, 452.2; 472/118, 125

(56) **References Cited**

**U.S. PATENT DOCUMENTS**

D92,012 S	4/1934	McGowen	
D98,065 S	1/1936	Hardy	
D99,375 S	4/1936	Spangler	
D99,530 S	5/1936	Spencer, III	
D103,956 S	4/1937	Rink	
D110,560 S	7/1938	Goldberg	
D117,622 S	* 11/1939	Smith	D6/346
D121,462 S	7/1940	Tabb	
D135,777 S	6/1943	Smith	
D141,676 S	* 6/1945	Cosme	D6/346
D141,705 S	6/1945	Slaughter	D6/69
D149,900 S	* 6/1948	Mock	D6/346
D153,162 S	3/1949	Nelems	D6/347
D154,356 S	7/1949	Allmand	D6/52
2,567,612 A	9/1951	McGehee	155/61
D165,835 S	2/1952	Glass	D6/146
3,078,101 A	2/1963	Reese	280/30

D256,744 S	9/1980	Mark	D6/45
D257,653 S	12/1980	Berlic	D6/177
D259,308 S	5/1981	Sroub	D6/52
D263,908 S	4/1982	Imber	D6/146
D265,952 S	8/1982	Theodore	D6/45
D276,927 S	* 12/1984	Bolin	D6/346
D281,376 S	11/1985	Gregory, III	D6/379
D281,378 S	11/1985	Parker	D6/344

(List continued on next page.)

**OTHER PUBLICATIONS**

1987 Jack-Post Catalog: Outdoor Furniture/Outdoor Products.

1988 Jack Post Catalog: Outdoor Furniture/Outdoor Products/Building Products.

(List continued on next page.)

*Primary Examiner*—Doris V. Coles

*Assistant Examiner*—Mimosa De

(74) *Attorney, Agent, or Firm*—Jenkins & Gilchrist

(57) **CLAIM**

The ornamental design for double glider, as shown and described.

**DESCRIPTION**

FIG. 1 is a side perspective view of the double glider showing our new design;

FIG. 2 is a side elevational view, the opposite side being a mirror image;

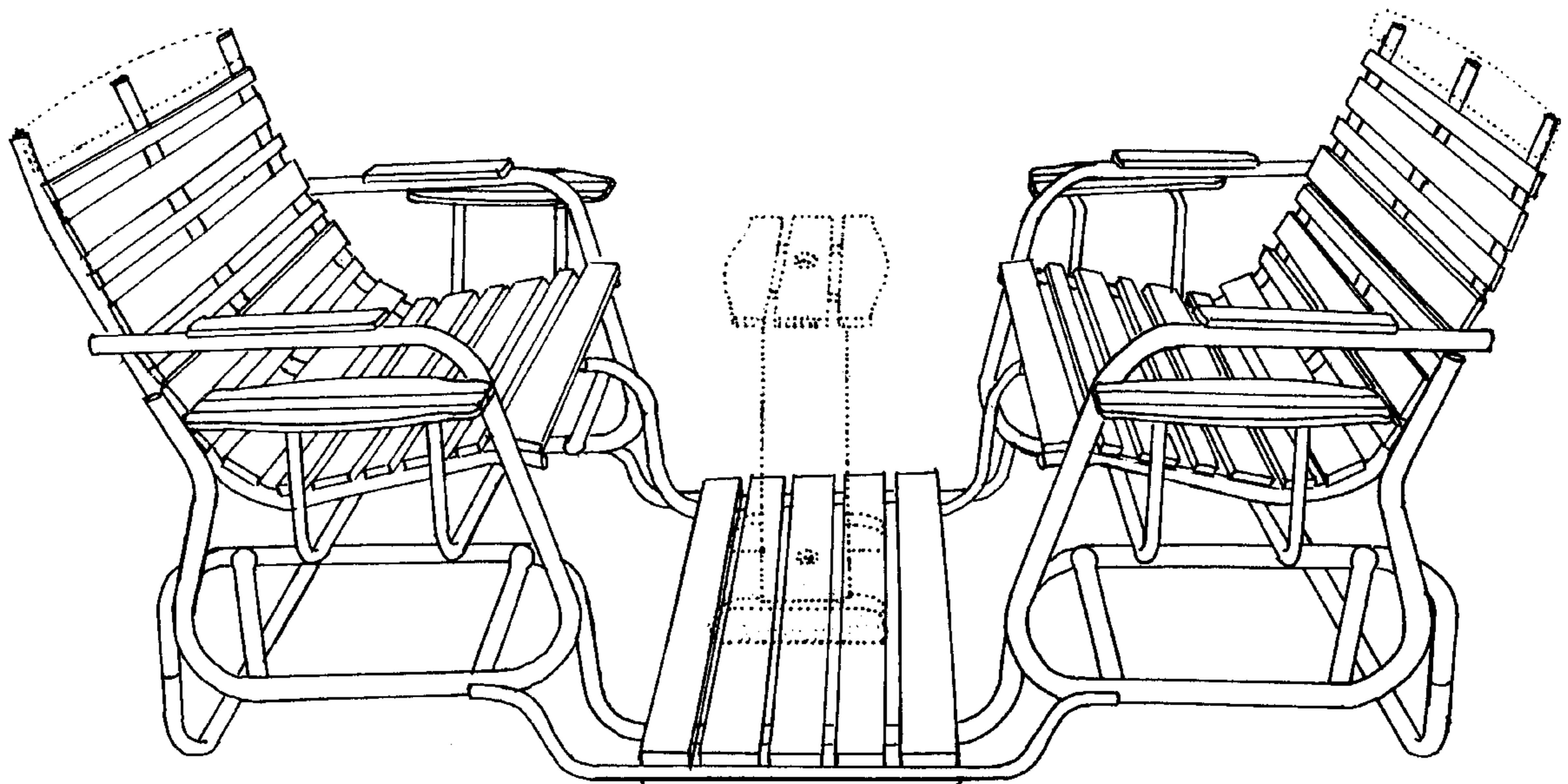
FIG. 3 is a rear elevational view, the front elevational view being a mirror image;

FIG. 4 is a top plan view; and,

FIG. 5 is a bottom plan view.

The broken lines showing of the table and the top slats of the gliders are for illustrative purposes only and form no part of the claimed design.

**1 Claim, 5 Drawing Sheets**



# US D467,741 S

Page 2

## U.S. PATENT DOCUMENTS

D290,911 S 7/1987 Pomeroy et al. .... D6/347  
D296,272 S 6/1988 Colby ..... D6/347  
D298,490 S 11/1988 Pomeroy et al. .... D6/347  
D306,530 S 3/1990 Vanderminden ..... D6/347  
D307,361 S 4/1990 Pomeroy et al. .... D6/347  
D307,362 S 4/1990 Pomeroy et al. .... D6/347  
D307,363 S 4/1990 Pomeroy et al. .... D6/347  
4,919,480 A 4/1990 Drew, III ..... 297/244  
D307,523 S 5/1990 Pomeroy et al. .... D6/347  
D310,604 S 9/1990 Pomeroy et al. .... D6/347  
D323,942 S \* 2/1992 Tatarchuck ..... D6/347  
D325,823 S 5/1992 Pomeroy et al. .... D6/335  
D327,584 S 7/1992 Braxton, III ..... D6/347  
D328,197 S 7/1992 Braxton, III ..... D6/347  
D334,485 S \* 4/1993 Pomeroy et al. .... D6/344  
D338,563 S 8/1993 Chiang ..... D6/344  
D341,037 S 11/1993 Pomeroy et al. .... D6/372  
D349,818 S 8/1994 Noll ..... D6/61  
D350,855 S \* 9/1994 Pomeroy et al. .... D6/344  
D361,673 S 8/1995 Pomeroy et al. .... D6/344  
D362,349 S 9/1995 Pomeroy et al. .... D6/344  
D365,692 S 1/1996 Pomeroy et al. .... D6/334  
5,667,273 A \* 9/1997 Noll ..... 297/282  
D400,720 S \* 11/1998 Pomeroy et al. .... D6/344  
D401,090 S 11/1998 Pomeroy et al. .... D6/500  
D410,340 S \* 6/1999 Pomeroy et al. .... D6/344  
D417,559 S 12/1999 Pomeroy et al. .... D6/344  
D430,743 S 9/2000 Pomeroy et al. .... D6/336  
D432,323 S 10/2000 Pomeroy et al. .... D6/344  
D433,242 S \* 11/2000 Langston ..... D6/346

D443,425 S 6/2001 Pomeroy et al. .... D6/344  
D449,454 S 10/2001 Pomeroy et al. .... D6/344  
D450,937 S 11/2001 Pomeroy et al. .... D6/344

## OTHER PUBLICATIONS

1989 Jack Post Catalog: Outdoor Furniture/Outdoor Products/Building Products.  
1990 Iron Mountain Catalog: Fine Outdoor and Patio Furniture; Iron Mountain.  
1991 Jack Post Catalog: Outdoor Furniture/Outdoor Products/Building Products.  
1992 Jack Post Catalog: Outdoor Furniture/Outdoor Products/Building Products.  
Leaflet: Mountaineer Outdoor Furniture; Iron Mountain Forge; date Mar. 9, 1986.  
Catalog: Luan Mahogany Furniture; Cardinal American of Bedford Hts., Ohio; 1985.  
1990 Jack-Post Catalog: Outdoor Furniture/Outdoor Products.  
1993 Jack Post Catalog: Outdoor Furniture/Outdoor Products/Building Products.  
1994 Jack Post Catalog: Thirtieth Anniversary.  
1995 Jack Post Catalog: Outdoor Furniture/Outdoor Products/Building Products.  
Flanders Industries, Inc. Royal Park Outdoor Furniture Glider from late 1980's.  
2000 Jack-Post Furniture Products Catalog pp. 2, 3, 4, 6.

\* cited by examiner

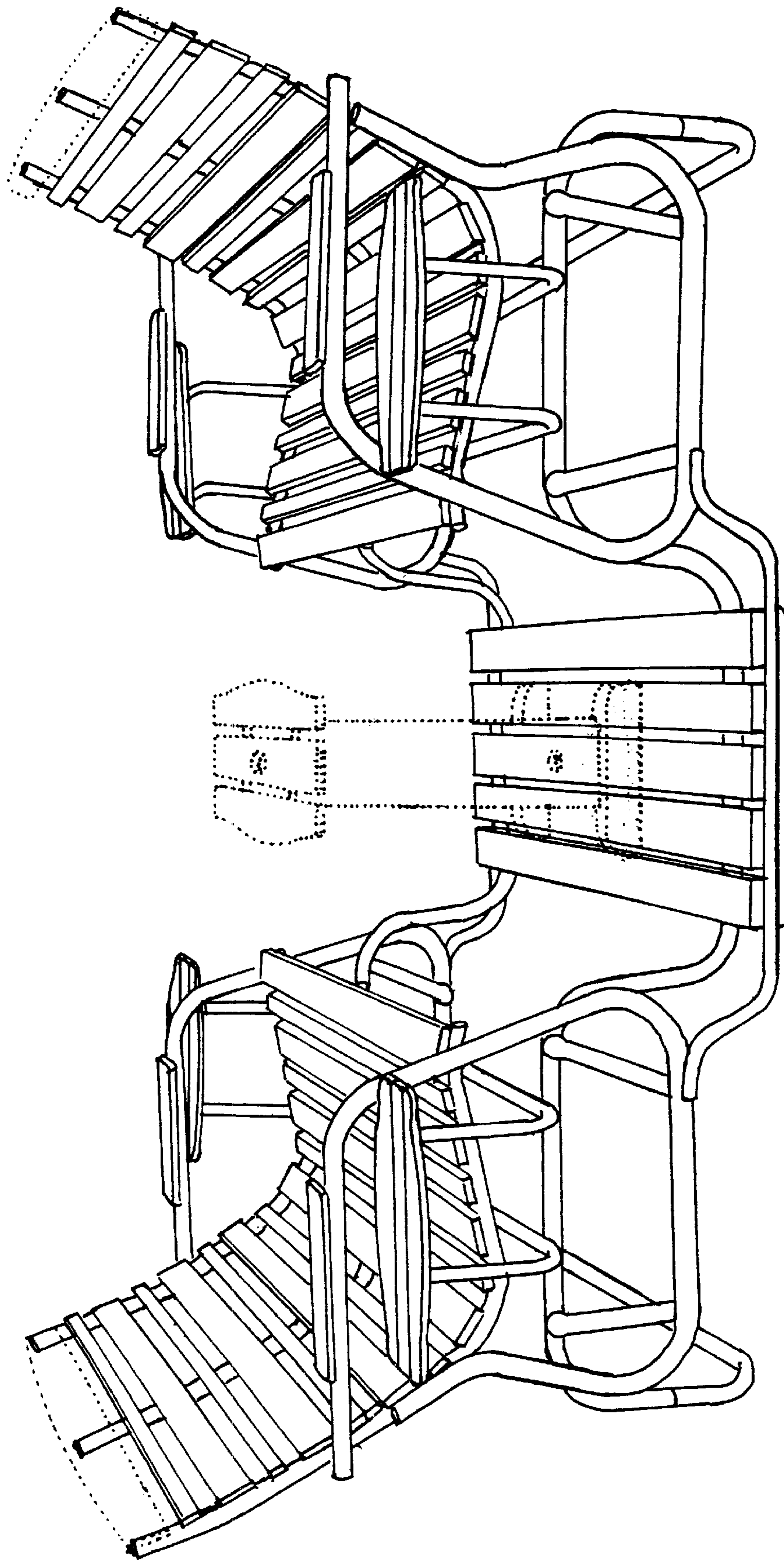


FIG. 1

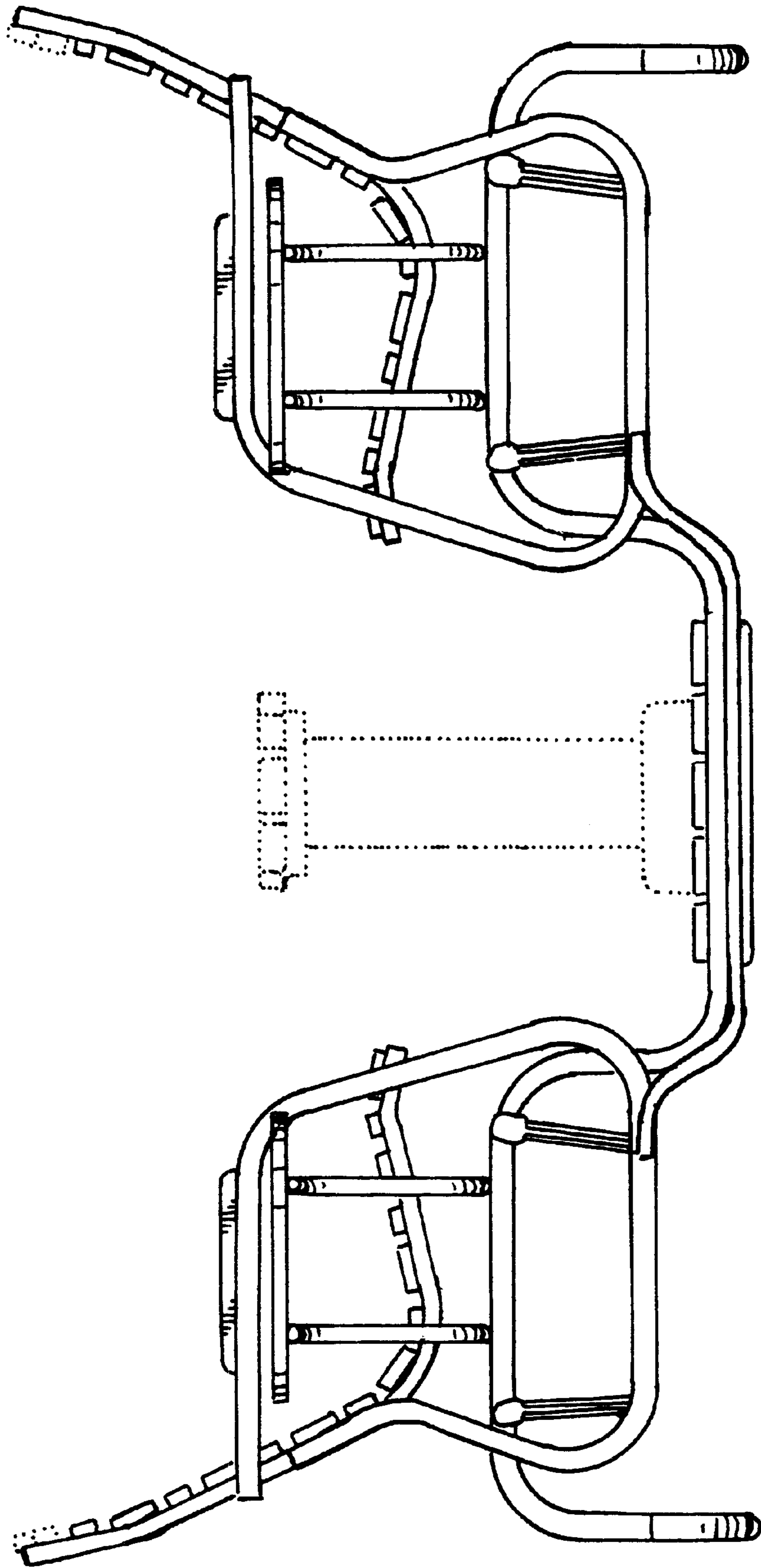


FIG. 2

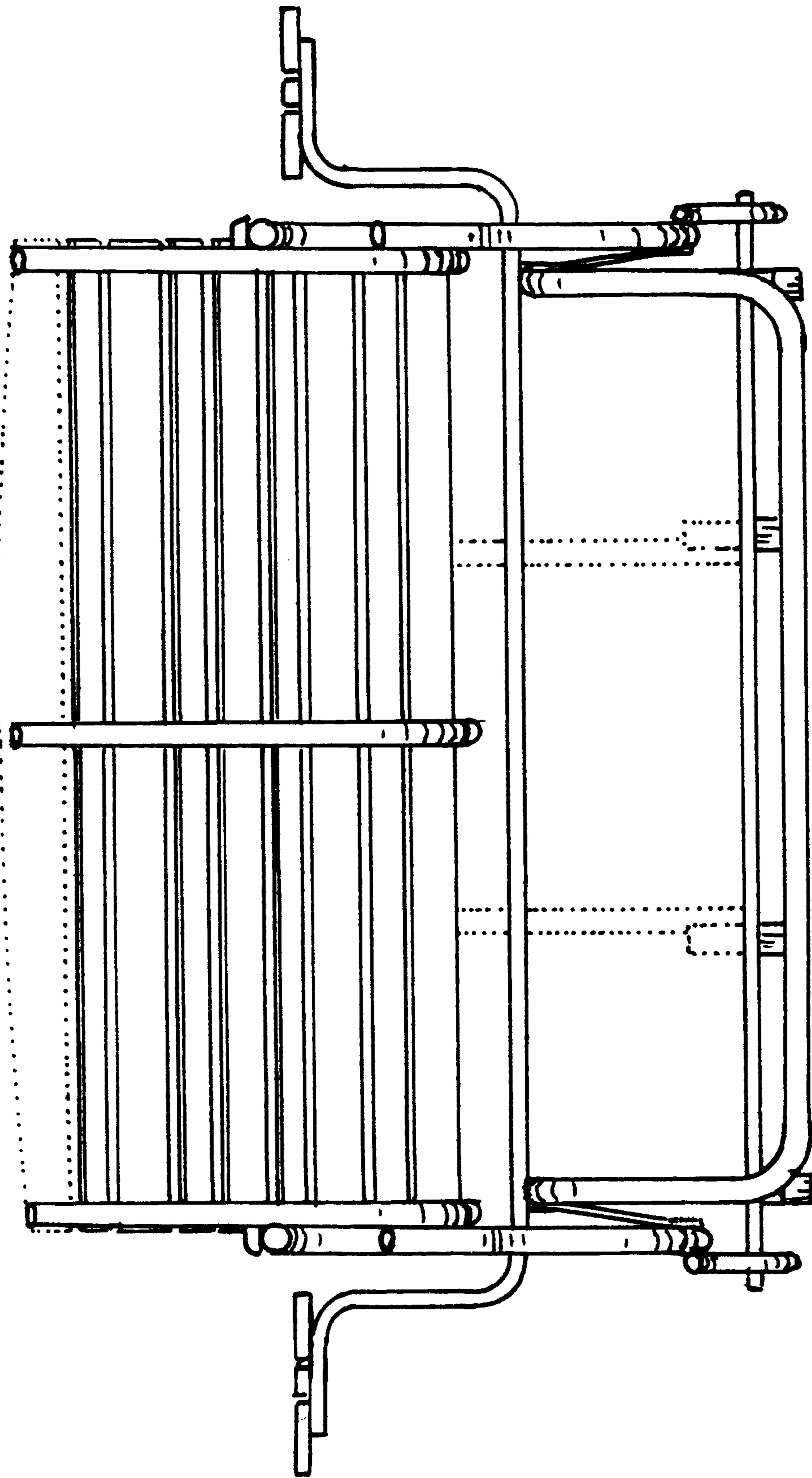


FIG. 3

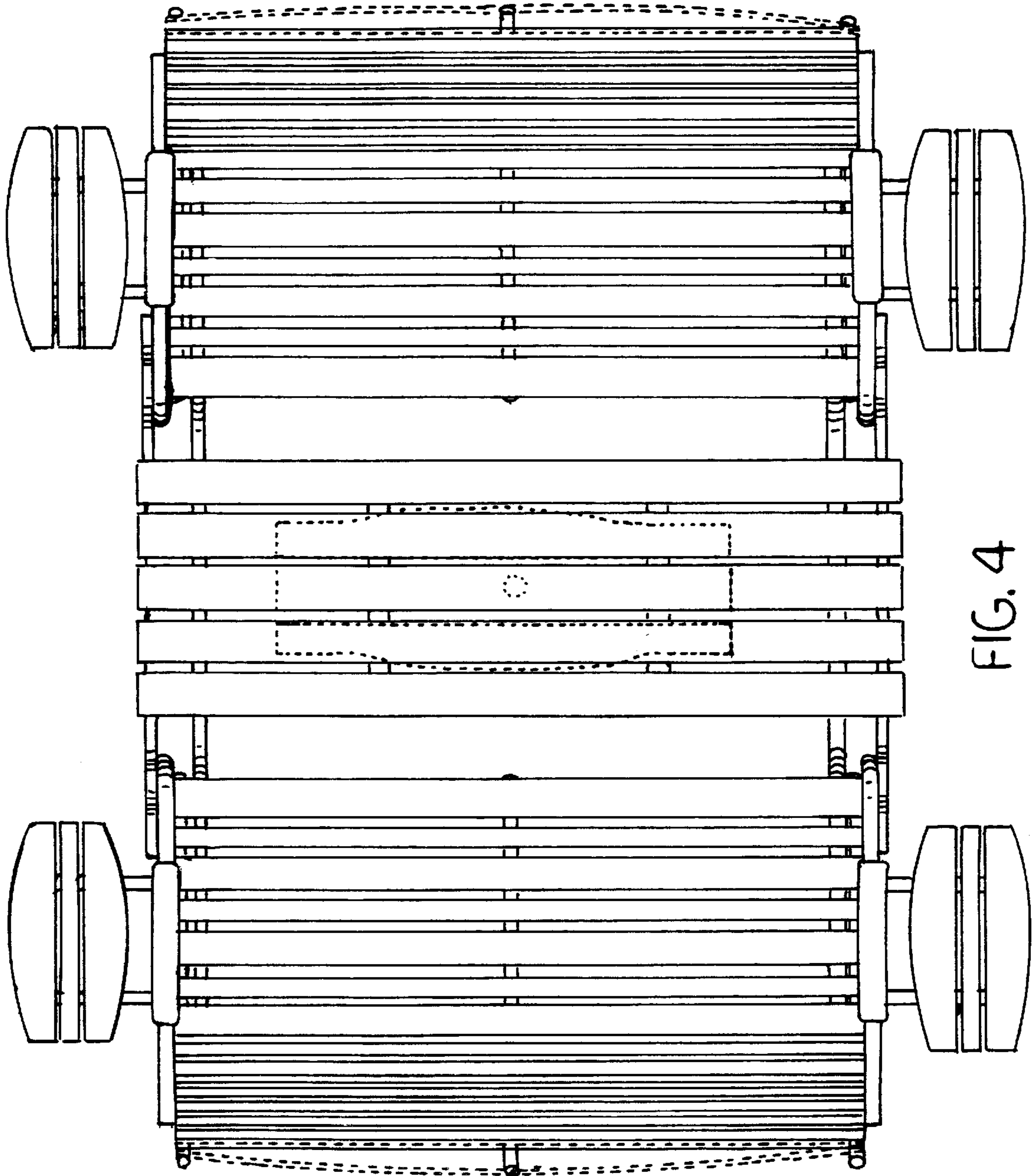


FIG. 4

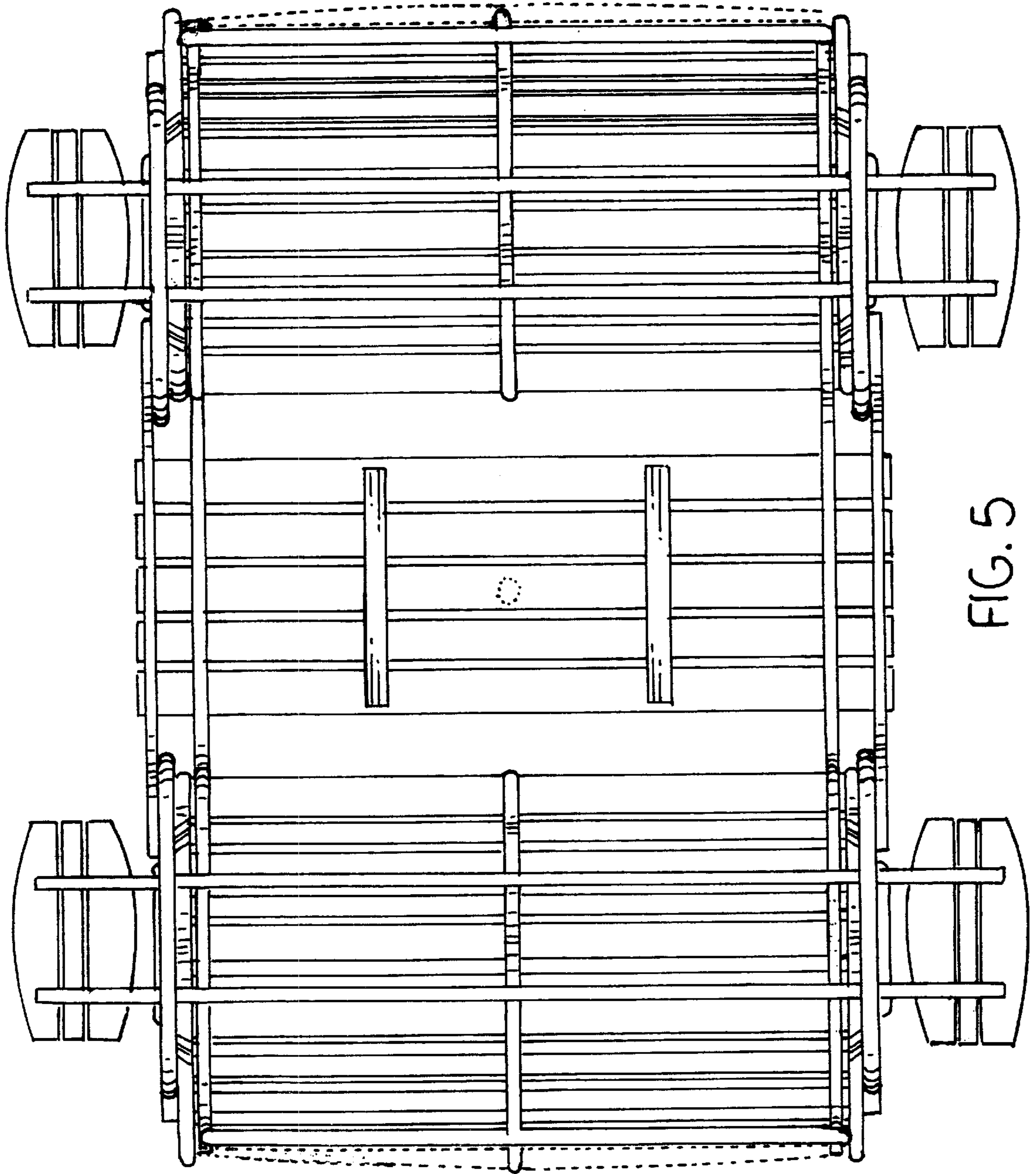


FIG. 5