



US00D467740S

(12) **United States Design Patent**  
**Noll**

(10) **Patent No.:** **US D467,740 S**

(45) **Date of Patent:** **\*\* Dec. 31, 2002**

(54) **GLIDER FRAME WITH CANOPY**

(74) *Attorney, Agent, or Firm*—Pearne & Gordon LLP

(76) **Inventor:** **Ronald C. Noll**, 25 Fairway Trail,  
Moreland Hills, OH (US) 44022

(57) **CLAIM**

The ornamental design for a glider frame with canopy, as shown and described.

(\*\*) **Term:** **14 Years**

**DESCRIPTION**

(21) **Appl. No.:** **29/155,580**

FIG. 1 is a perspective view of the first embodiment of a glider frame with canopy showing my new design;

(22) **Filed:** **Feb. 13, 2002**

FIG. 2 is a top plan view of the first embodiment thereof;

(51) **LOC (7) Cl.** ..... **06-01**

FIG. 3 is a right side elevation view of the first embodiment thereof; the left side being the same;

(52) **U.S. Cl.** ..... **D6/344**

FIG. 4 is a front elevation view of the first embodiment thereof;

(58) **Field of Search** ..... D6/334, 335, 344,  
D6/346, 347, 376, 381, 500–502; 297/232,  
273, 277, 280, 281, 282, 287, 452.2; 472/118,  
125

FIG. 5 is a rear elevation view of the first embodiment thereof;

(56) **References Cited**

**U.S. PATENT DOCUMENTS**

FIG. 6 is a bottom plan view of the first embodiment thereof;

|             |           |                |         |
|-------------|-----------|----------------|---------|
| 539,723 A   | 5/1895    | Caisse         |         |
| 3,825,299 A | 7/1974    | Gaucher        |         |
| 5,564,987 A | * 10/1996 | Ayrolles       | 472/118 |
| D396,564 S  | * 8/1998  | Tseng          | D6/347  |
| 5,803,818 A | * 9/1998  | Tseng          | 472/118 |
| 5,842,741 A | 12/1998   | Onorini        |         |
| D408,639 S  | * 4/1999  | Noll           | D6/347  |
| 5,938,283 A | 8/1999    | Babcock et al. |         |
| 5,957,780 A | * 9/1999  | Grazioli       | 472/118 |
| D439,423 S  | * 3/2001  | Tseng          | D6/344  |
| D450,194 S  | 11/2001   | Liu            |         |
| D450,938 S  | * 11/2001 | Liu            | D6/347  |
| D450,939 S  | * 11/2001 | Liu            | D6/347  |
| D455,908 S  | * 4/2002  | Liu            | D6/347  |

FIG. 7 is a perspective view of the second embodiment of a glider frame with canopy showing my new design;

**OTHER PUBLICATIONS**

FIG. 8 is is a top plan view of the second embodiment thereof;

Declaration of Ronald C. Noll, Executed Mar. 22, 2002.

FIG. 9 is a right side elevation view of the second embodiment thereof; the left side being the same;

\* cited by examiner

FIG. 10 is a front elevation view of the second embodiment thereof;

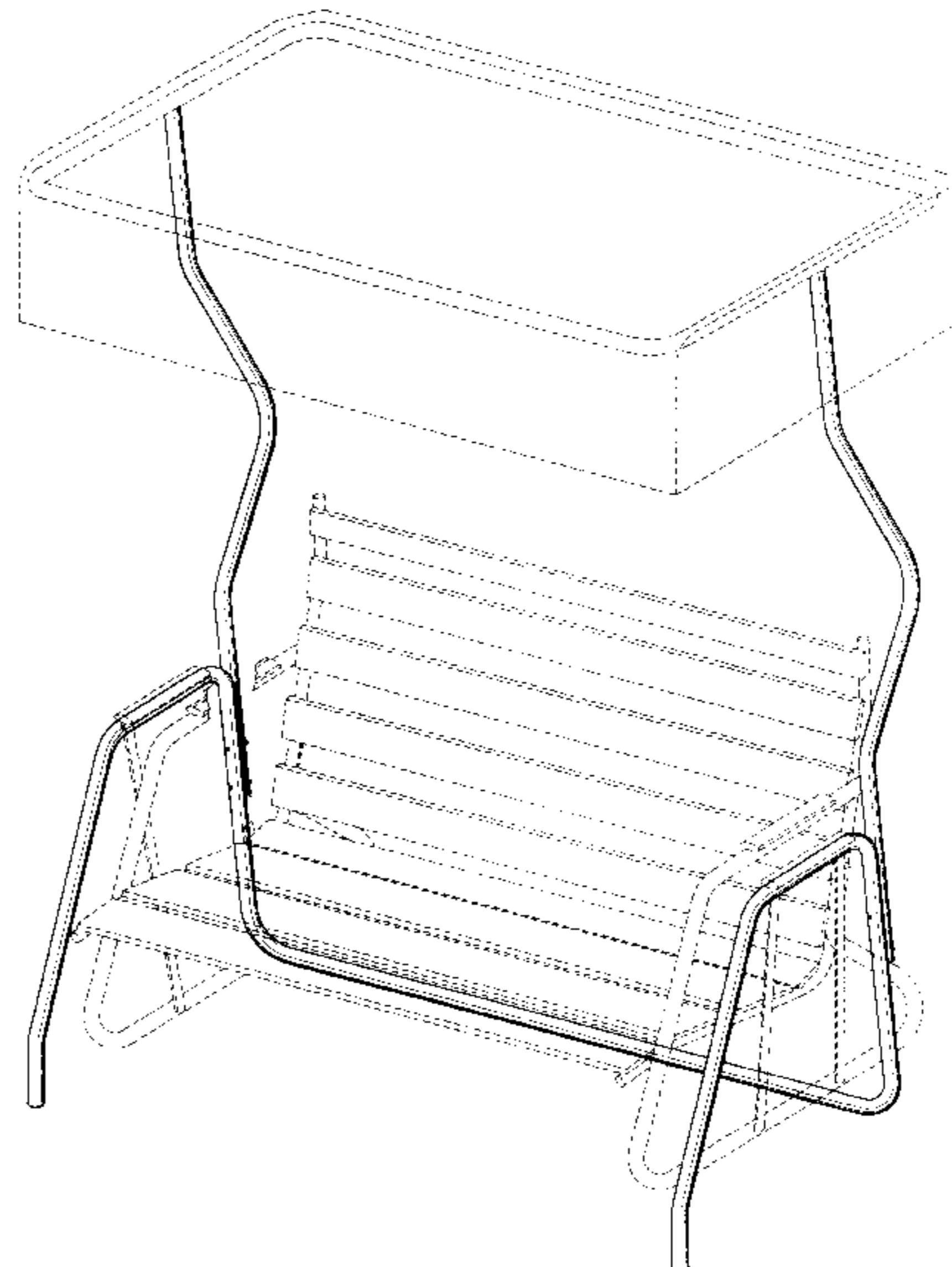
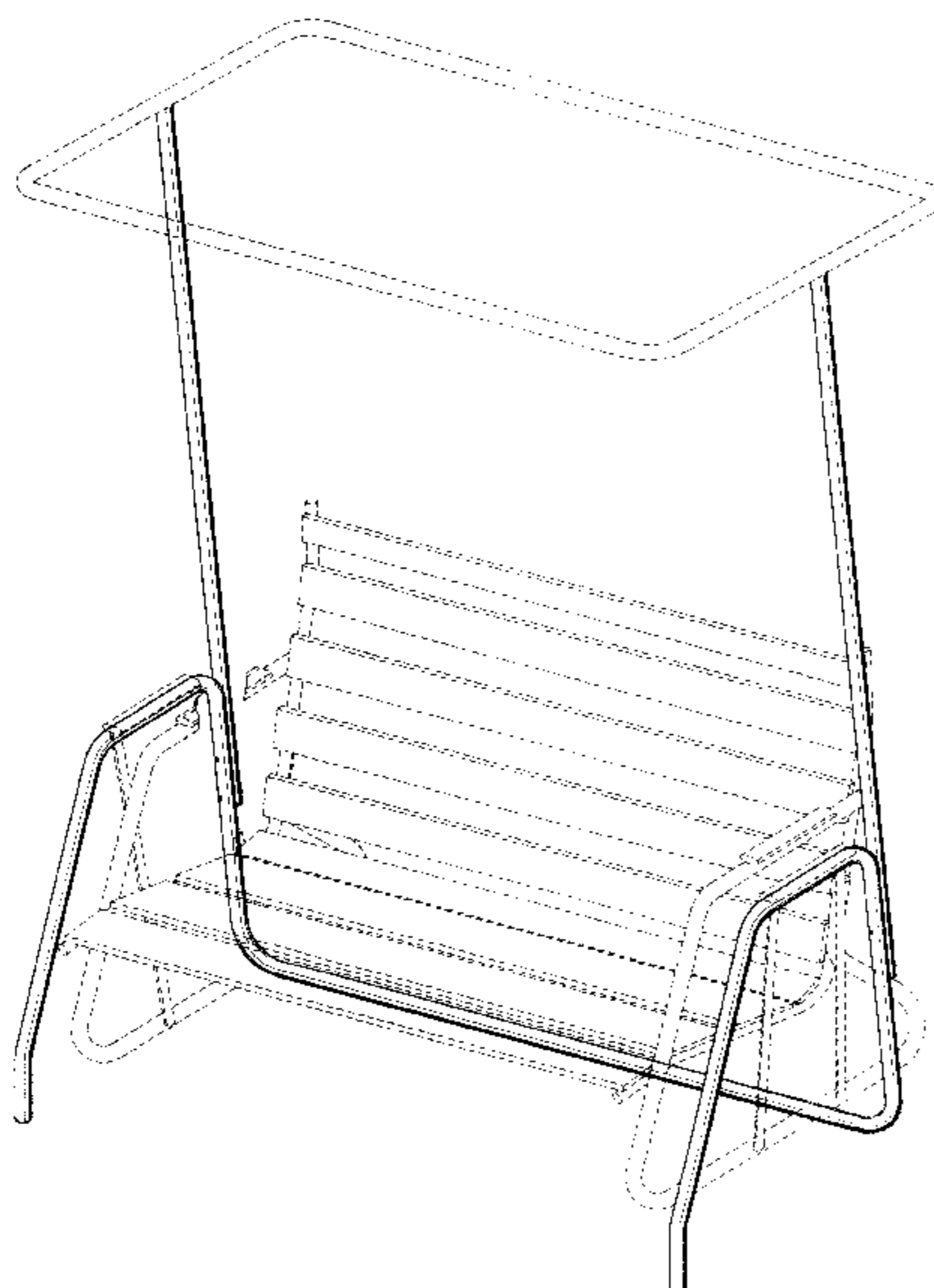
*Primary Examiner*—Doris V. Coles  
*Assistant Examiner*—Mimosa De

FIG. 11 is a rear elevation view of the second embodiment thereof; and,

FIG. 12 is a bottom plan view of the second embodiment thereof.

The broken line showing of a glider and a canopy is for illustrative purposes only and forms no part of the claimed design.

**1 Claim, 8 Drawing Sheets**



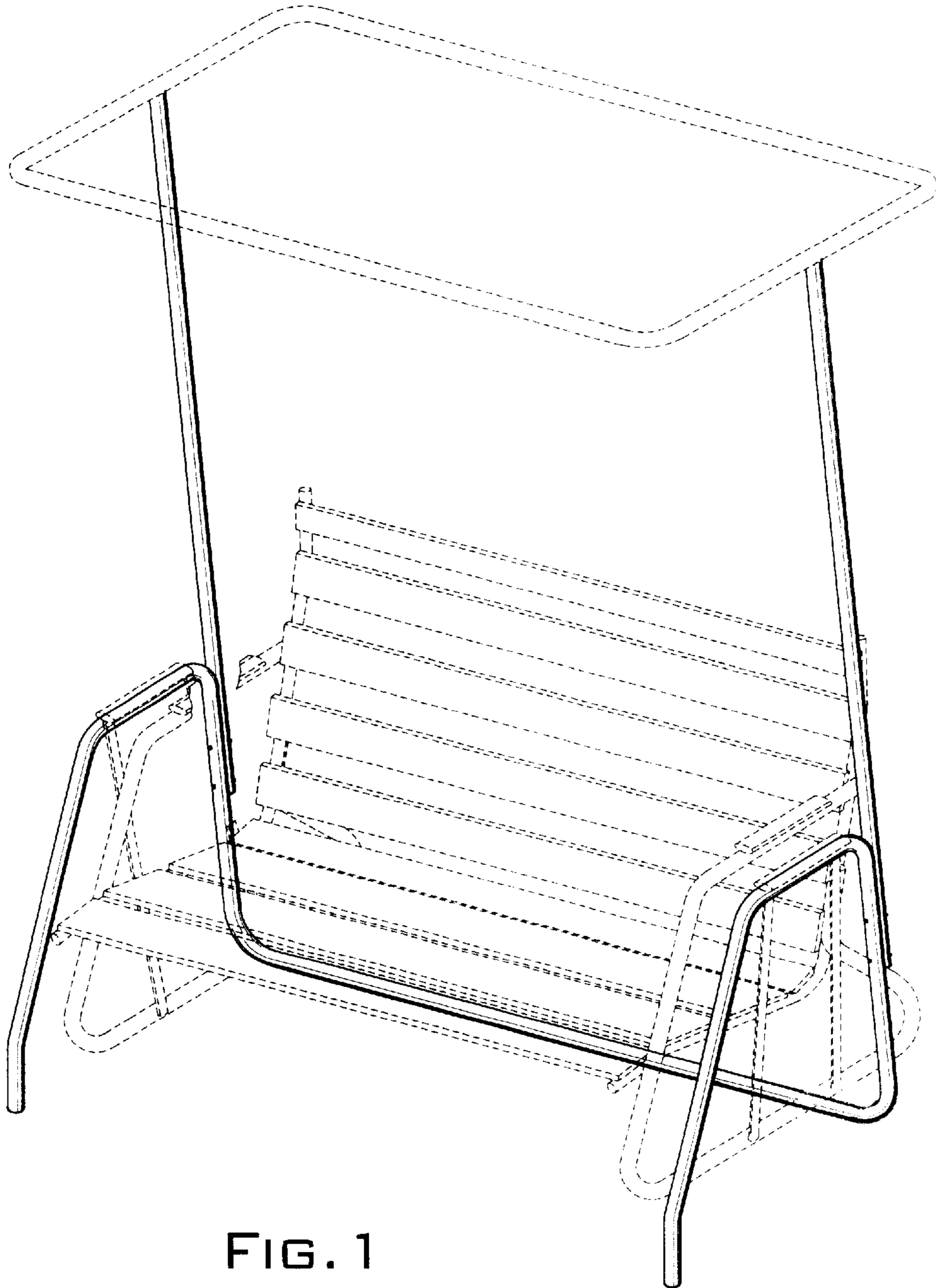


FIG. 1

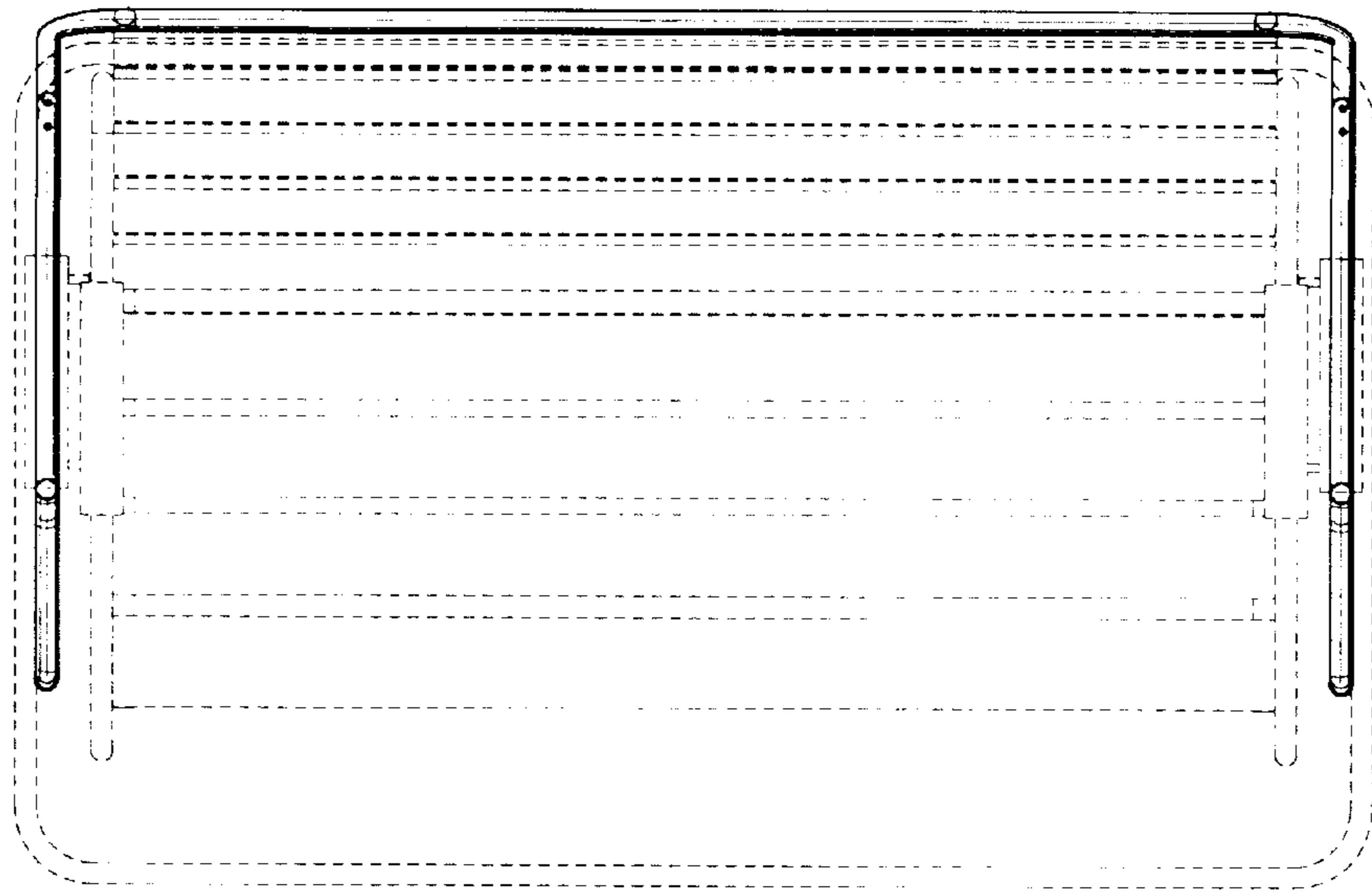


FIG. 2

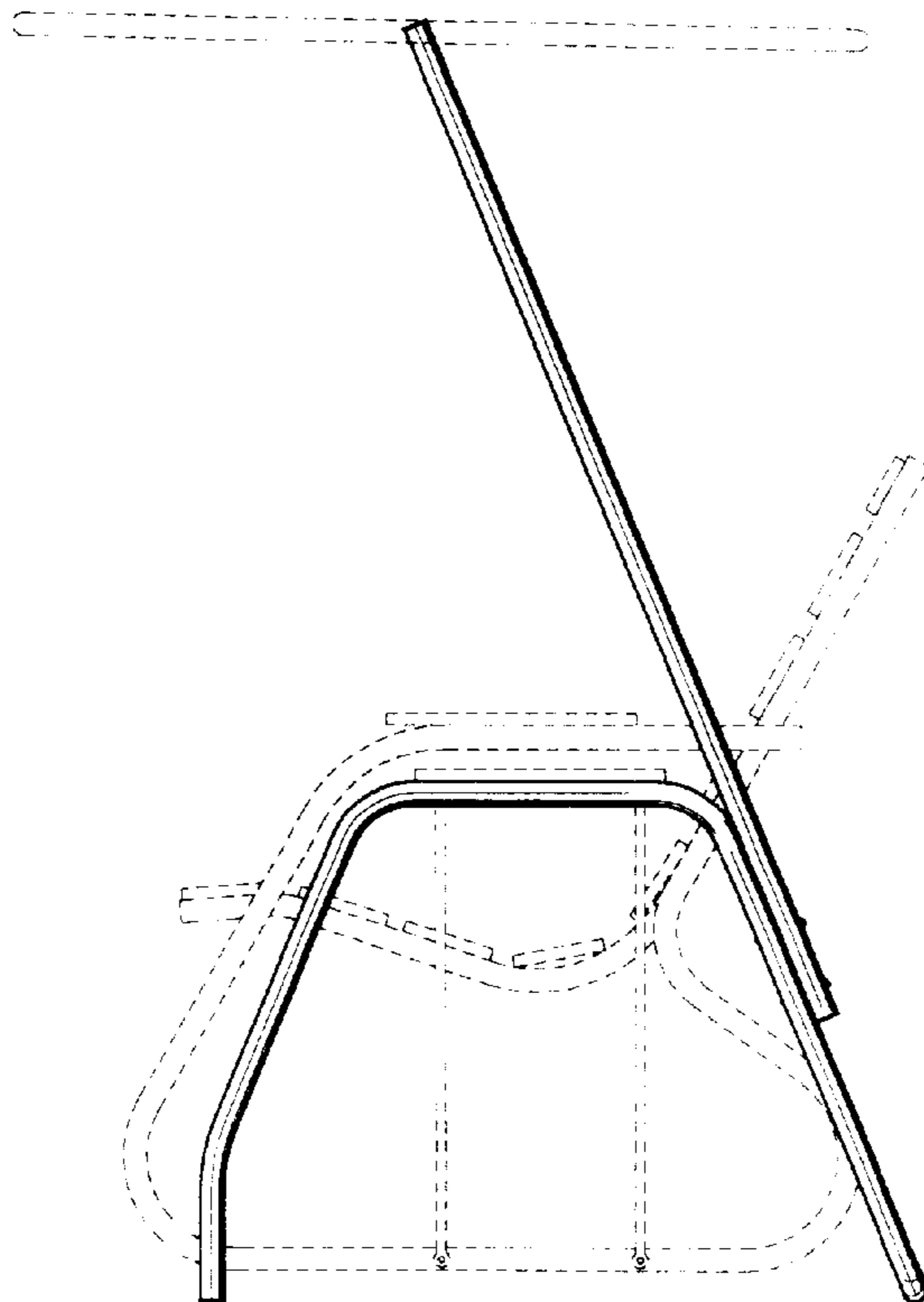


FIG. 3

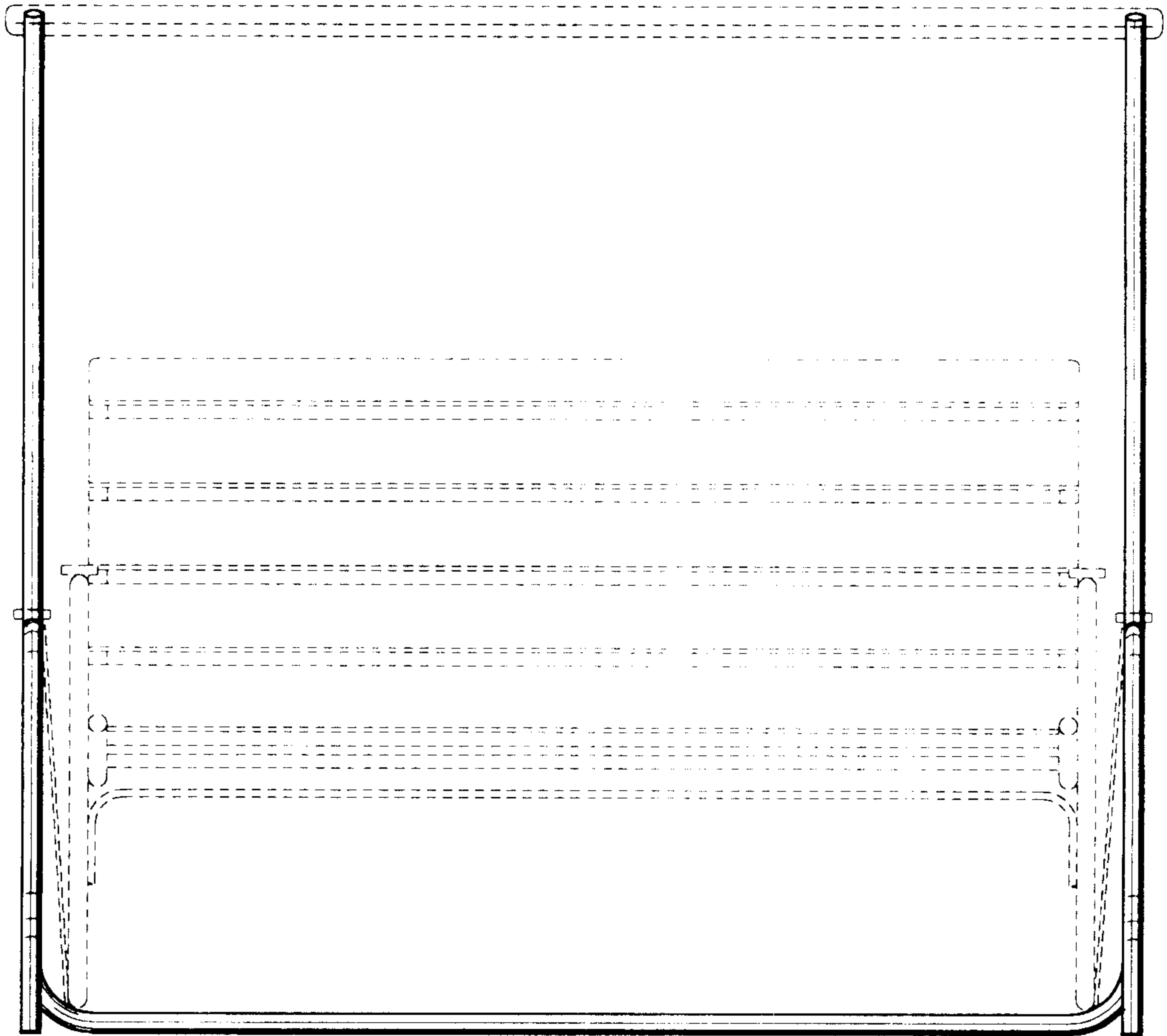


FIG. 4

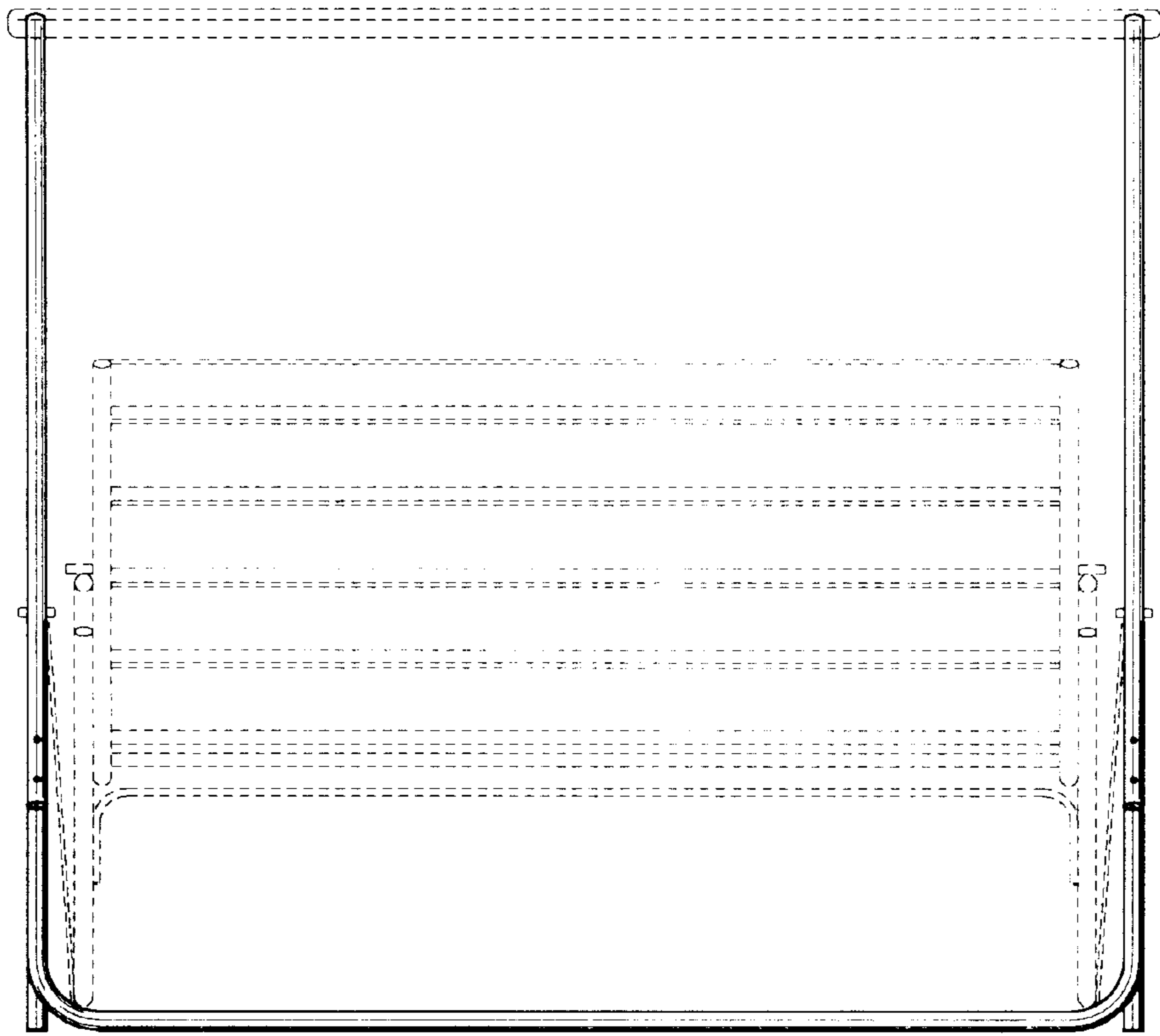


FIG. 5

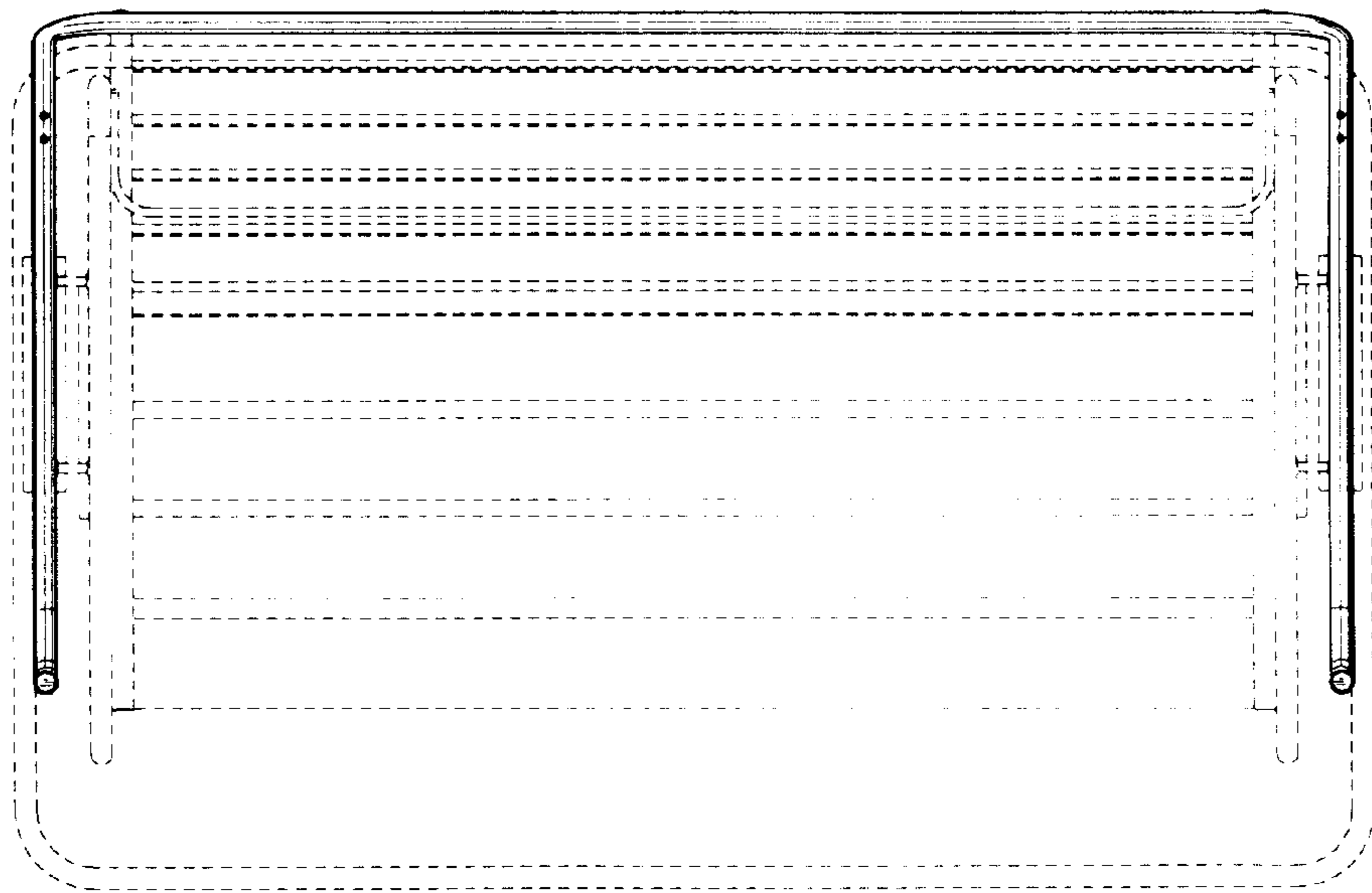


FIG. 6

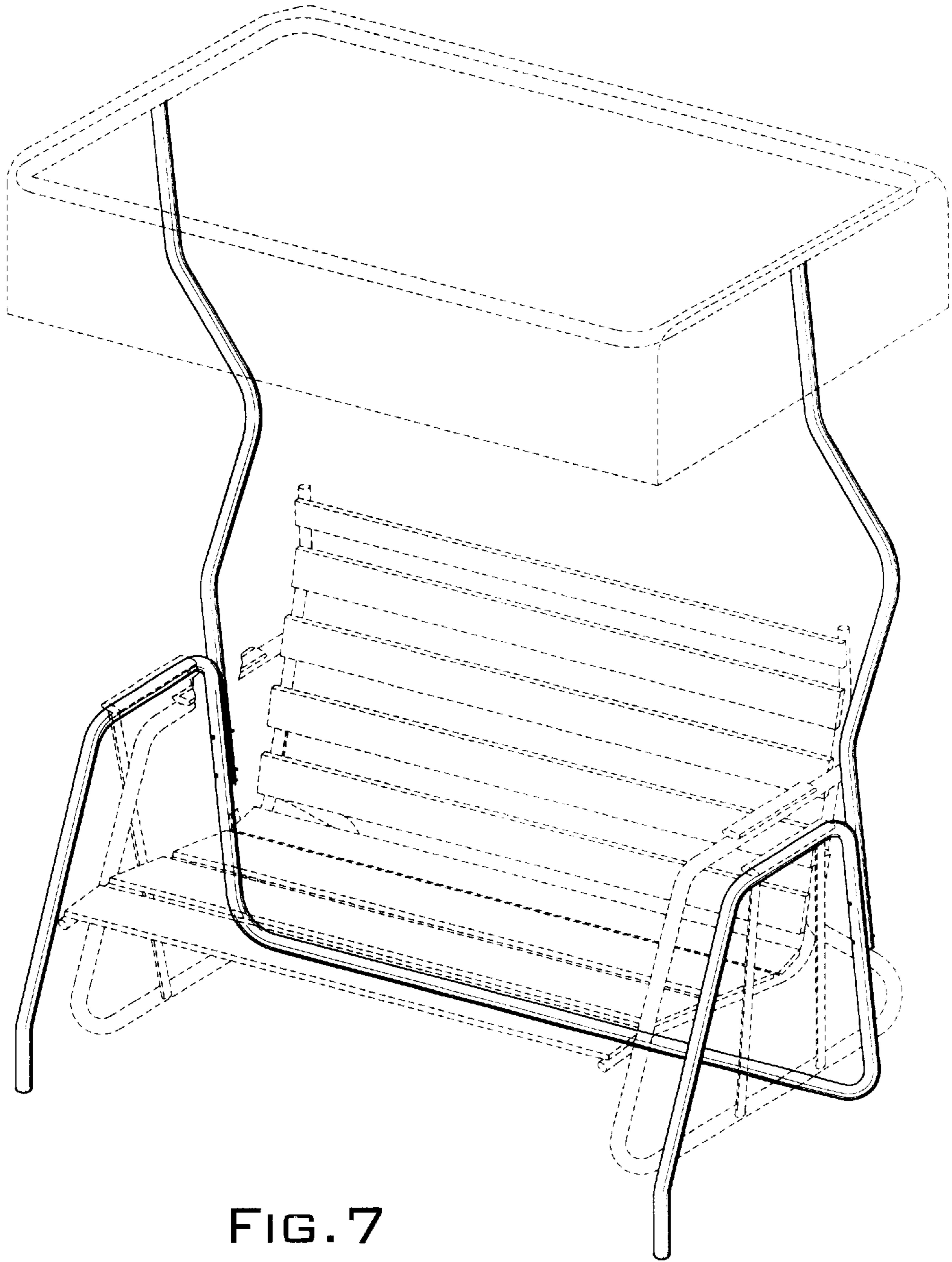


FIG. 7

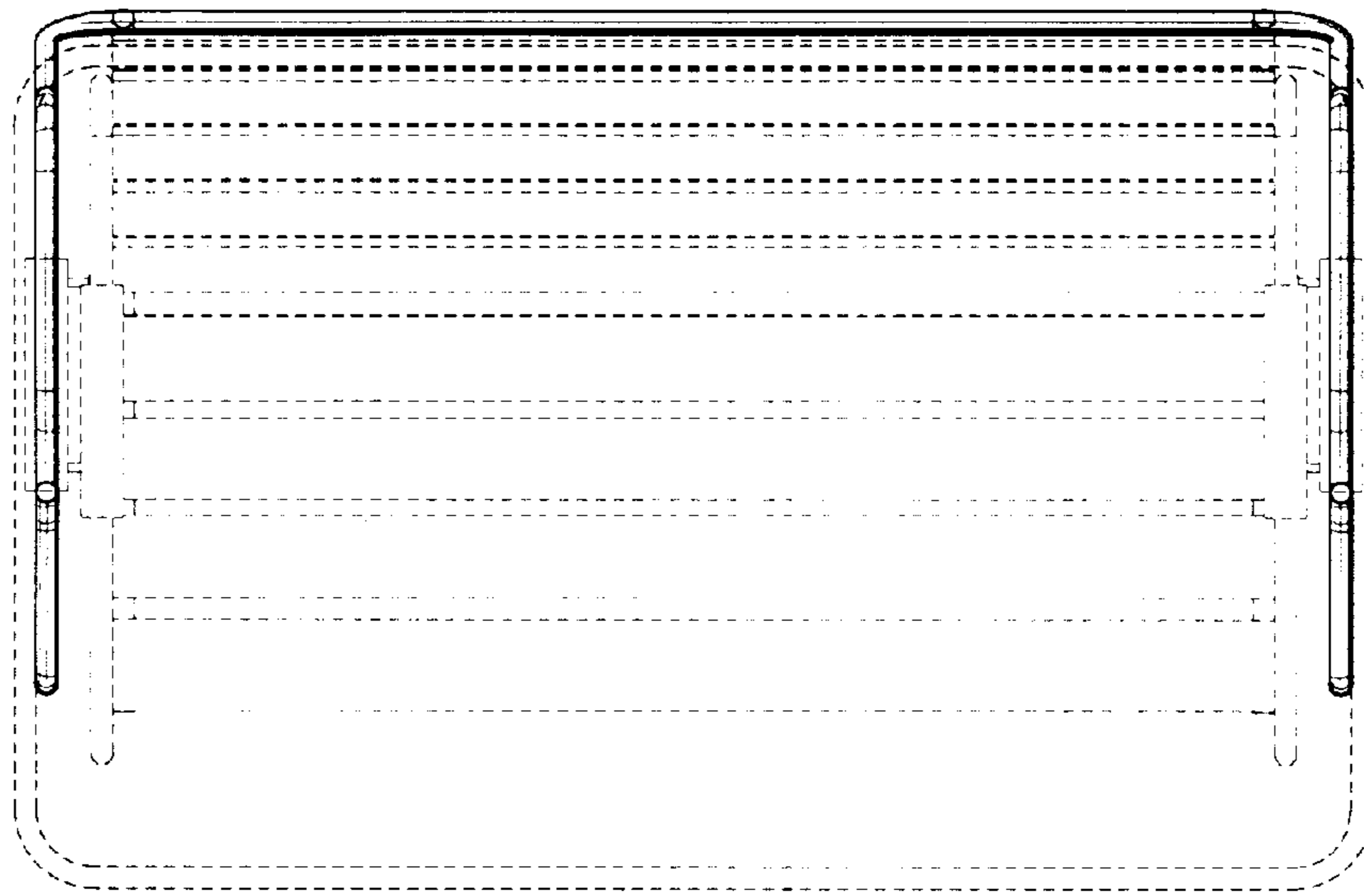


FIG. 8

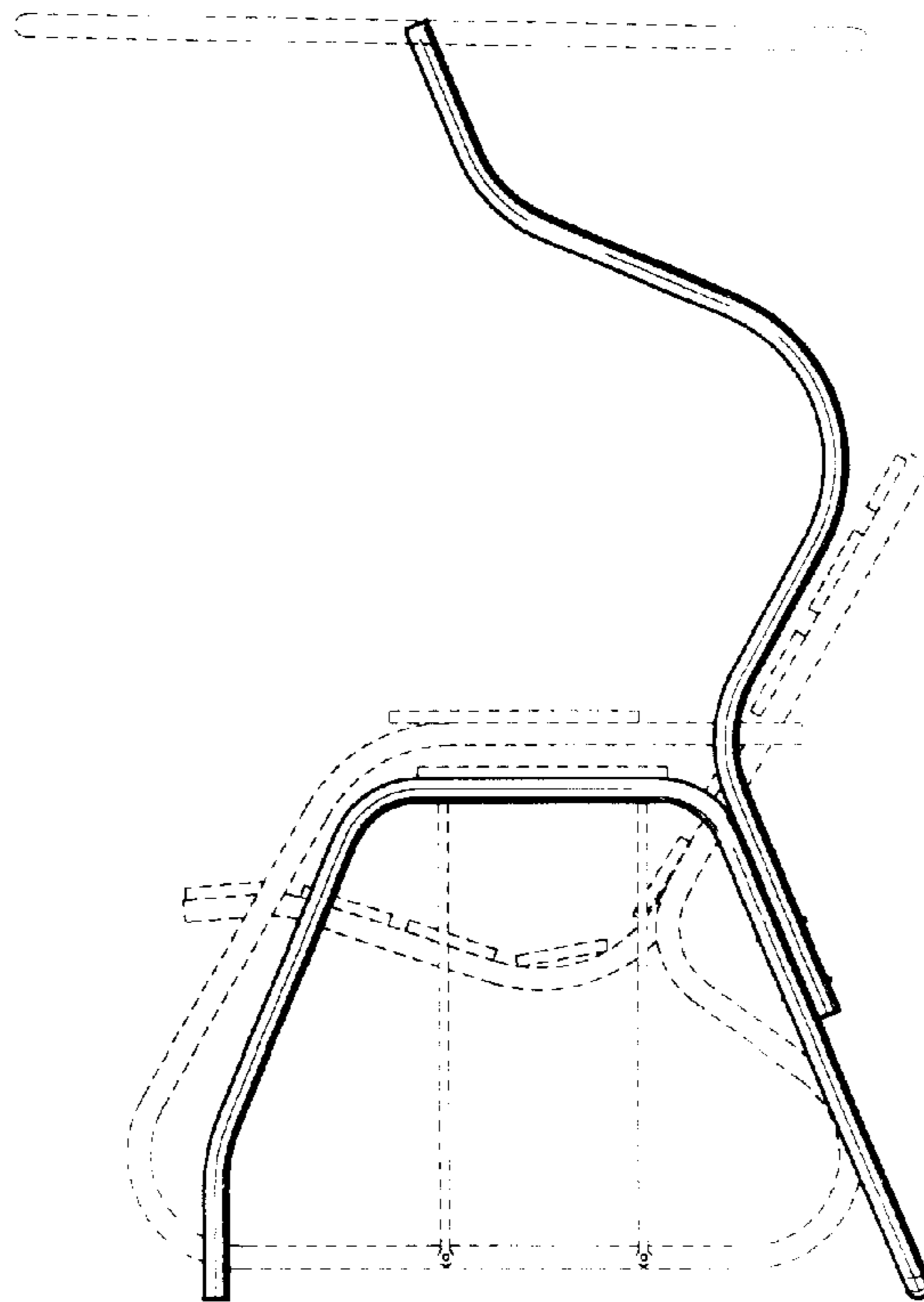


FIG. 9

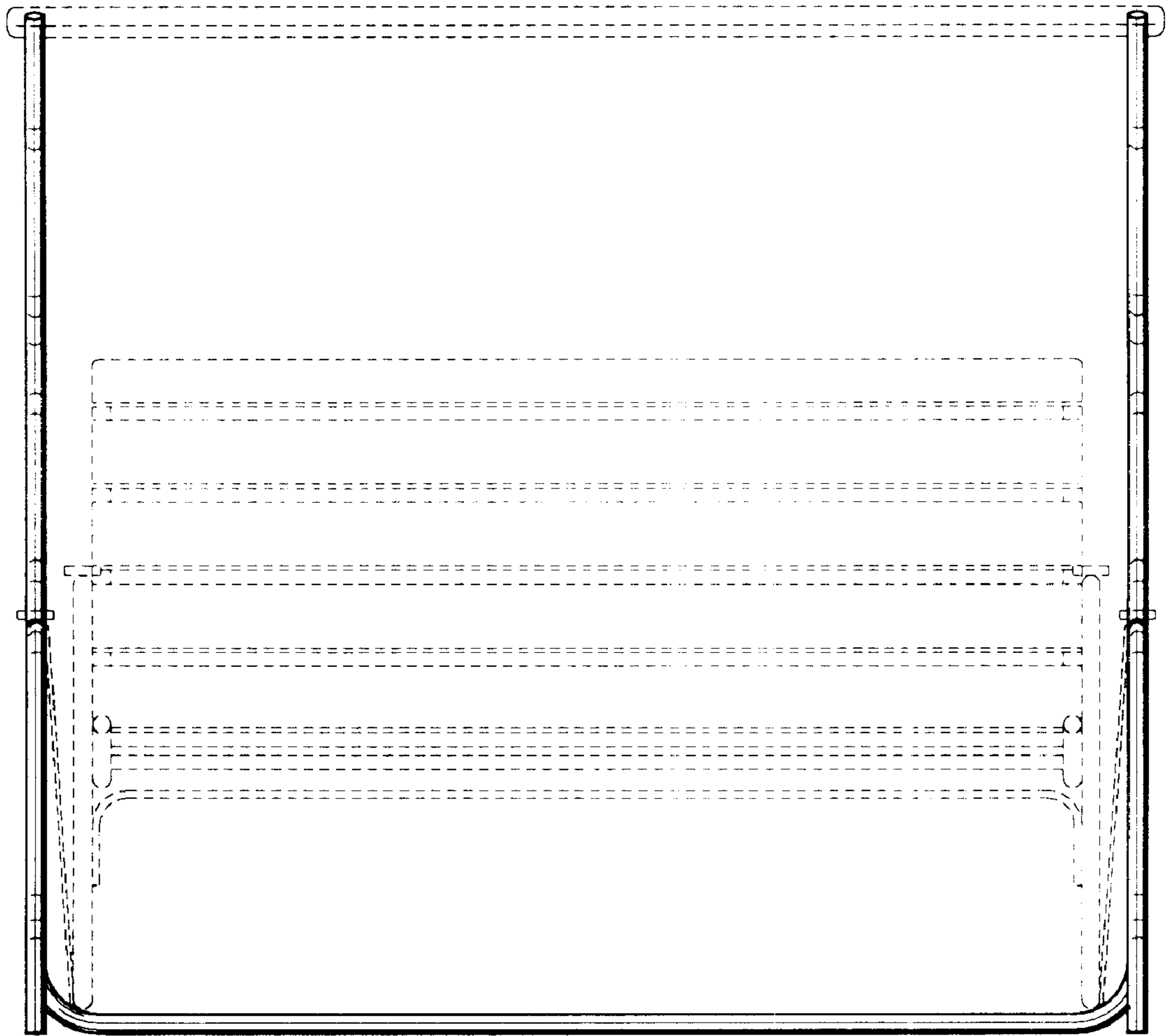


FIG. 10



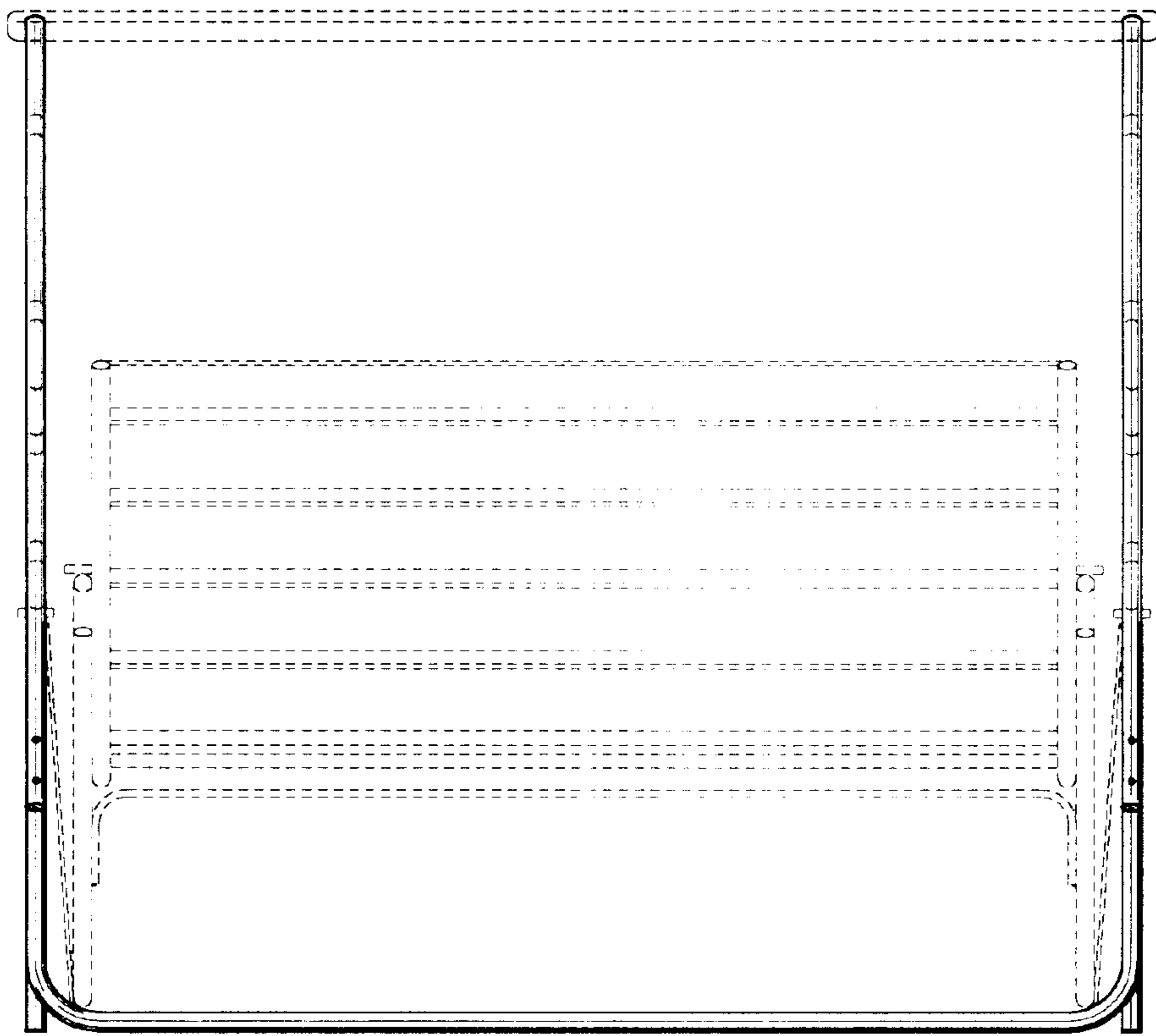


FIG. 1 1

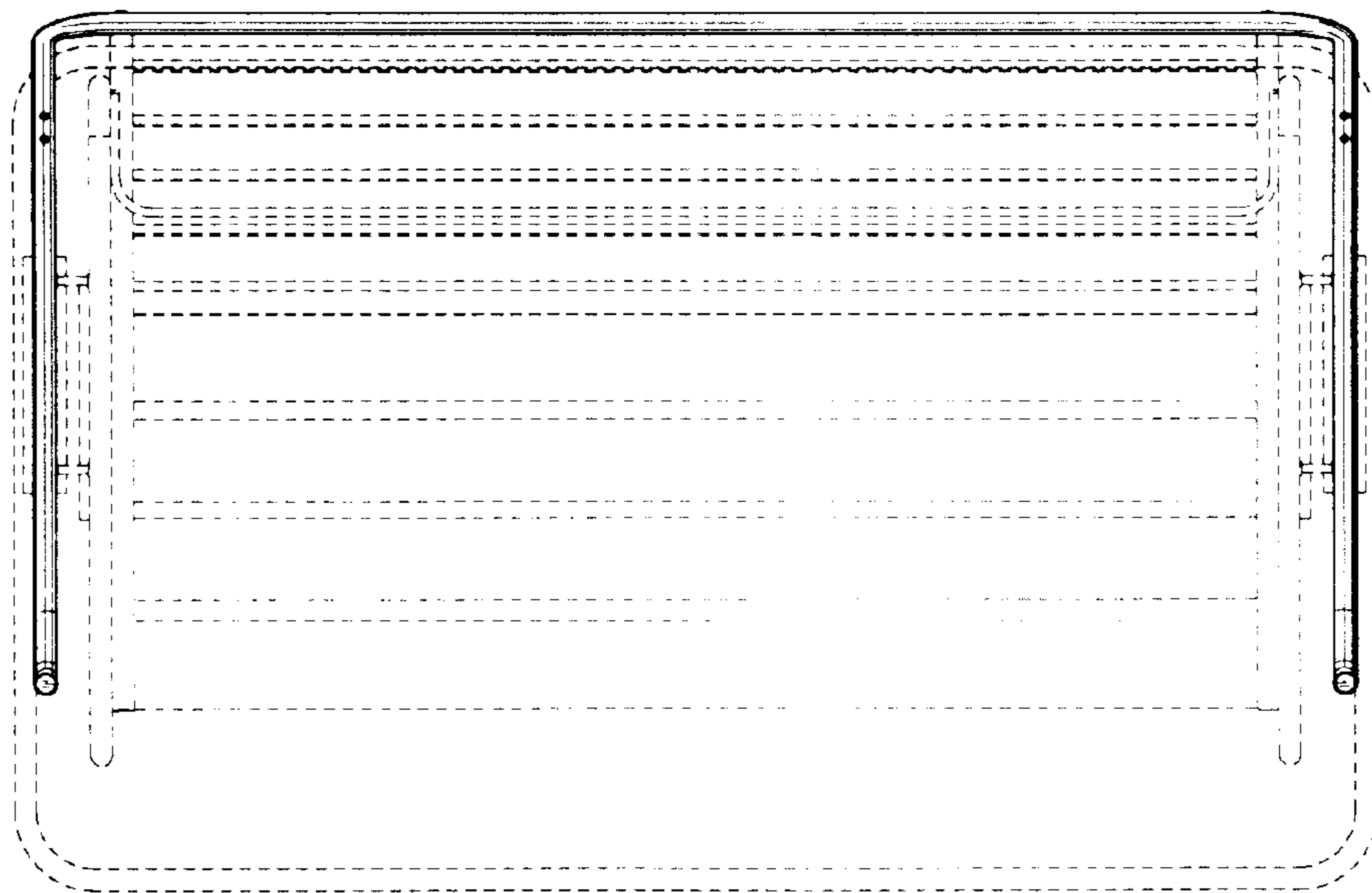


FIG. 1 2