



US00D467736S

(12) **United States Design Patent**
Russell

(10) **Patent No.:** **US D467,736 S**

(45) **Date of Patent:** **** Dec. 31, 2002**

- (54) **LINT ROLLER HANDLE**
- (75) **Inventor:** **Douglas Russell**, Syracuse, NY (US)
- (73) **Assignee:** **Cleaner's Supply. Inc.**, Conklin, NY (US)
- (**) **Term:** **14 Years**
- (21) **Appl. No.:** **29/162,459**
- (22) **Filed:** **Jun. 17, 2002**
- (51) **LOC (7) Cl.** **04-01**
- (52) **U.S. Cl.** **D4/122; D4/138**
- (58) **Field of Search** **D4/122, 138; 15/27, 15/104.001, 104.002, 143.1, 230.11; 16/110.1, 430; 492/13, 19**

- 4,570,280 A 2/1986 Roth
- 4,727,616 A 3/1988 Kucera et al.
- D295,833 S 5/1988 Roth
- 5,027,465 A 7/1991 McKay
- 5,261,142 A * 11/1993 Linn et al. 15/230.11 X
- D347,327 S * 5/1994 Ricciarelli et al. D4/138
- D349,608 S * 8/1994 O'Neil D4/138
- 5,388,300 A 2/1995 Hickey
- 5,878,457 A 3/1999 Cox et al.
- 6,055,695 A 5/2000 McKay, Jr.

* cited by examiner

Primary Examiner—Alan P. Douglas
Assistant Examiner—Lavone D. Tabor
 (74) *Attorney, Agent, or Firm*—Robert L. Epstein; Harold James; James & Franklin, LLP

(57) **CLAIM**

The ornamental design for a lint roller handle, substantially as shown and described.

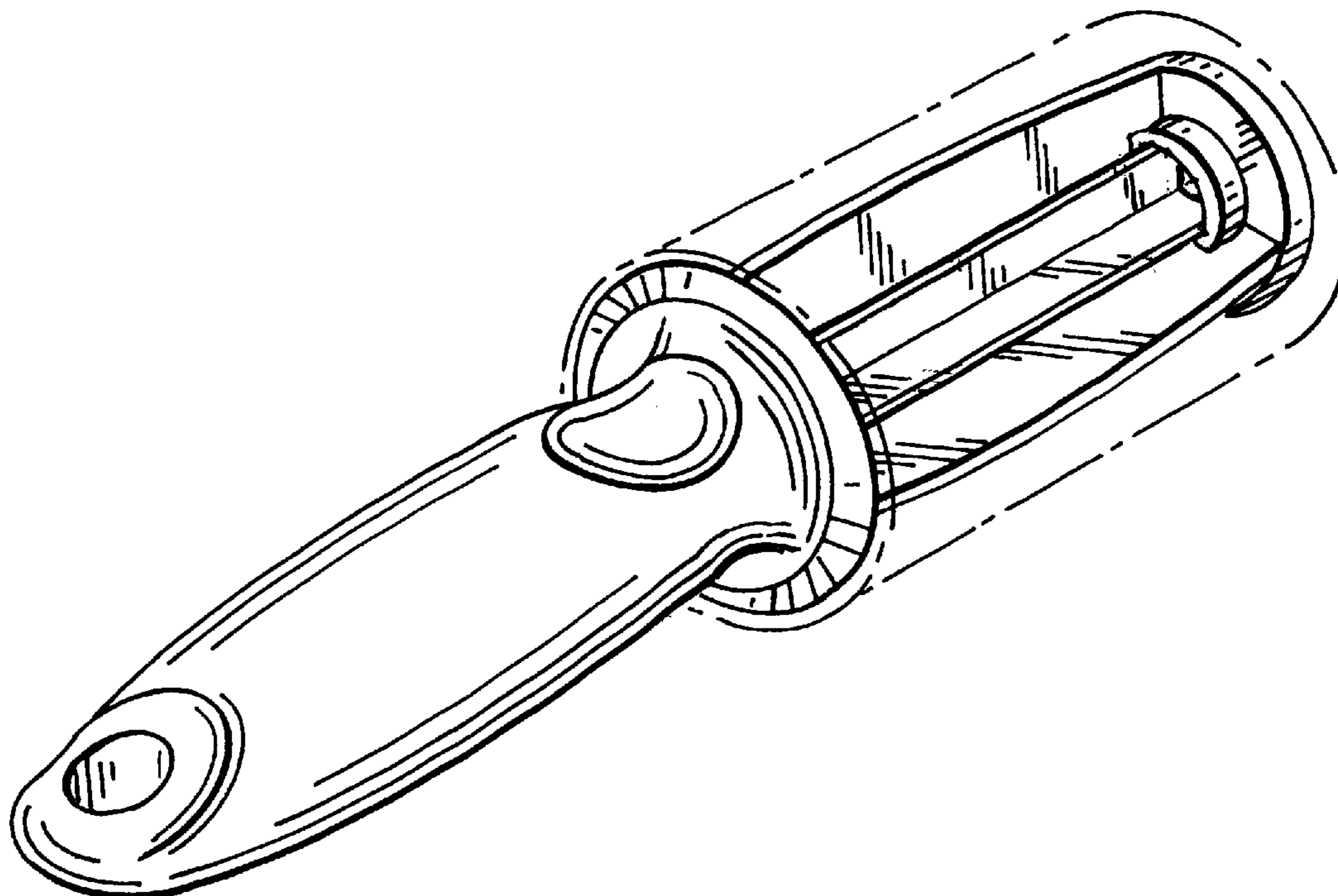
DESCRIPTION

FIG. 1 is a isometric view of the lint roller handle of the present invention;
 FIG. 2 is a side elevational view of the invention;
 FIG. 3 is an enlarged elevational view showing one end of the invention; and,
 FIG. 4 is a enlarged elevational view showing the other end of the invention.
 The lint removing tape roll shown in dot and dash in FIG. 1 is not part of my invention.

1 Claim, 3 Drawing Sheets

(56) **References Cited**
 U.S. PATENT DOCUMENTS

- 3,201,815 A 8/1965 Selby
- 3,343,194 A 9/1967 Ramelson
- 3,346,105 A 10/1967 Nye et al.
- 3,417,418 A 12/1968 Ribouo
- 3,421,170 A 1/1969 Thomas, Jr.
- 3,623,179 A 11/1971 Roth
- 4,361,923 A 12/1982 McKay
- 4,399,579 A 8/1983 McKay
- 4,422,201 A 12/1983 McKay
- 4,427,726 A 1/1984 Wolfrum
- D273,058 S 3/1984 McKay
- D273,059 S 3/1984 McKay
- D276,763 S 12/1984 McKay
- 4,557,011 A 12/1985 Santori



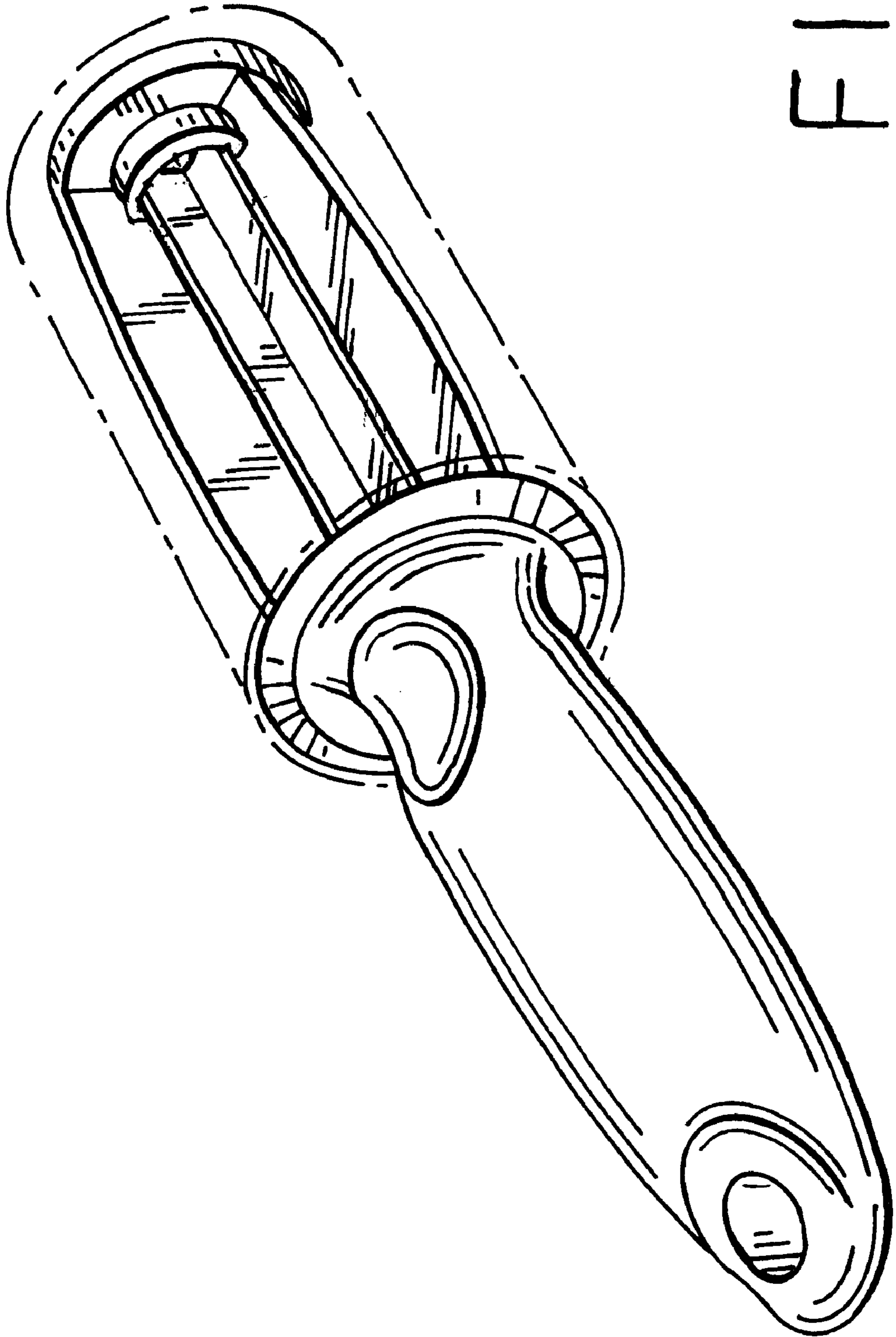


FIG. 1

FIG. 2

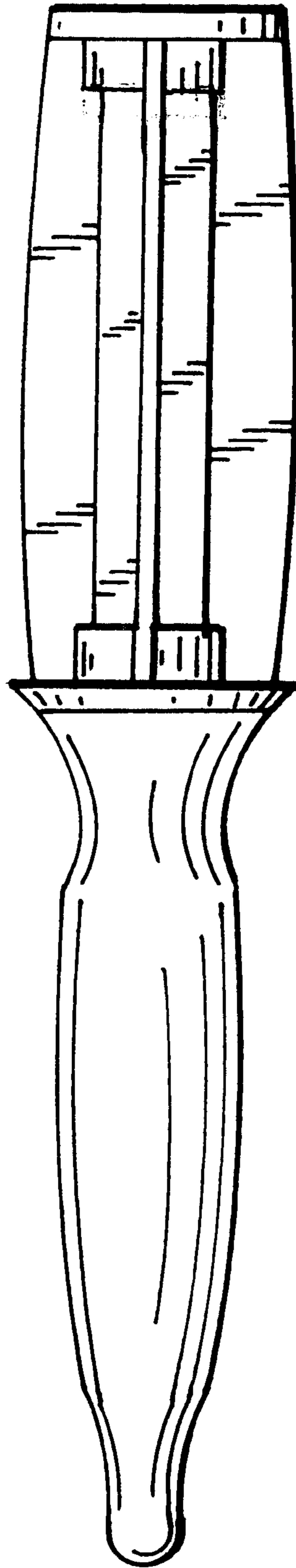


FIG. 3

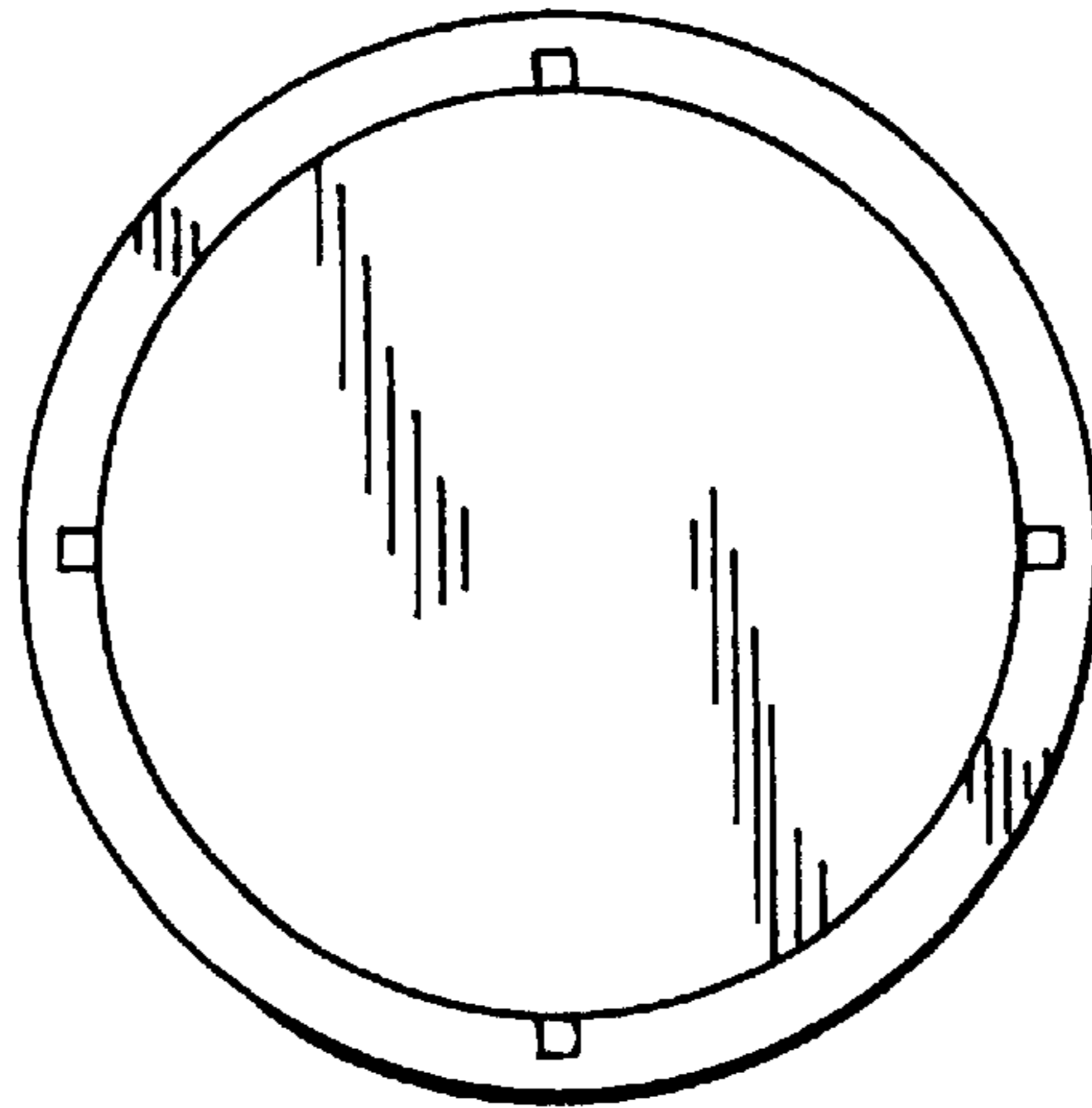
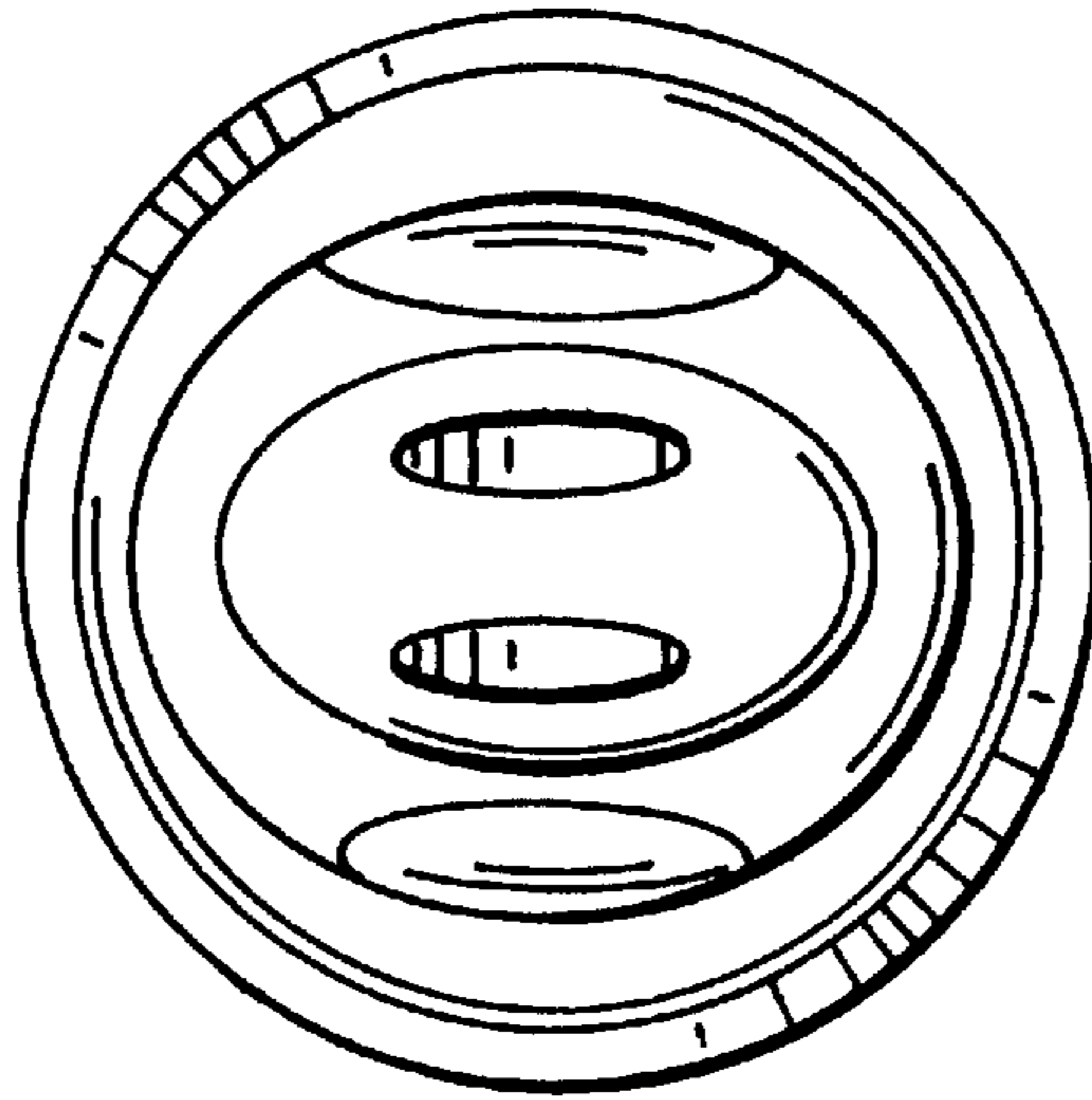


FIG. 4