



US00D467734S

(12) **United States Design Patent**
Taylor et al.

(10) **Patent No.:** **US D467,734 S**

(45) **Date of Patent:** **** Dec. 31, 2002**

(54) **FRONT PORTIONS OF STACKABLE AND STACKED DISPLAY BINS HAVING PIVOTAL DOORS**

(75) Inventors: **Curtis P. Taylor**, Moreland Hills, OH (US); **Anthony V. Sainato**, Mayfield Heights, OH (US)

(73) Assignee: **Bintek, LLC**, Chagrin Falls, OH (US)

(**) Term: **14 Years**

(21) Appl. No.: **29/138,733**

(22) Filed: **Mar. 19, 2001**

(51) **LOC (7) Cl.** **03-01**

(52) **U.S. Cl.** **D3/318**

(58) **Field of Search** D3/304, 318; D9/420, D9/429; 312/117, 122, 126, 139, 107, 109

(56) **References Cited**

U.S. PATENT DOCUMENTS

D30,426 S	3/1899	Meyer	
D49,497 S	8/1916	Walker, Jr.	
D49,501 S	8/1916	Walker, Jr.	
D89,950 S	5/1933	Duncan	
2,295,313 A	9/1942	Weir	221/92
2,463,658 A	3/1949	Thrasher	62/89.5
D159,884 S	8/1950	Baldanza	D19/92
2,556,927 A	6/1951	Langel et al.	220/4
2,677,483 A	5/1954	Shaw	206/509
2,811,404 A *	10/1957	Brooks et al.	312/122
3,107,131 A *	10/1963	Lightburn	312/107
3,478,892 A	11/1969	Lockwood	211/126
4,056,295 A	11/1977	Downing	312/107

(List continued on next page.)

OTHER PUBLICATIONS

US 5,762,201, 6/1998, Whalen (withdrawn)

Primary Examiner—Louis S. Zarfes

Assistant Examiner—Deanne Levy

(74) *Attorney, Agent, or Firm*—David A. Burge

(57) **CLAIM**

We claim the ornamental design for front portions of stackable and stacked display bins having pivotal doors, as shown and described.

DESCRIPTION

FIG. 1 is a top, front, and right side perspective view of a first embodiment of a front portions of stackable and stacked display bins having pivotal doors showing our new design; FIG. 2 is a front view thereof;

FIG. 3 is a top plan view thereof;

FIG. 4 is a bottom plan view thereof;

FIG. 5 is a right side view thereof, it being understood that the left side view is a mirror image reversal of the right side view;

FIG. 6 is a top, front, and right side perspective view of a second embodiment of a front portions of stackable and stacked display bins having pivotal doors showing our new design;

FIG. 7 is a front view thereof;

FIG. 8 is a top plan view thereof;

FIG. 9 is a bottom plan view thereof;

FIG. 10 is a right side view thereof, it being understood that the left side view is a mirror image reversal of the right side view;

FIG. 11 is a top, front, and right side perspective view of a third embodiment of a front portions of stackable and stacked display bins having pivotal doors showing our new design;

FIG. 12 is a front view thereof;

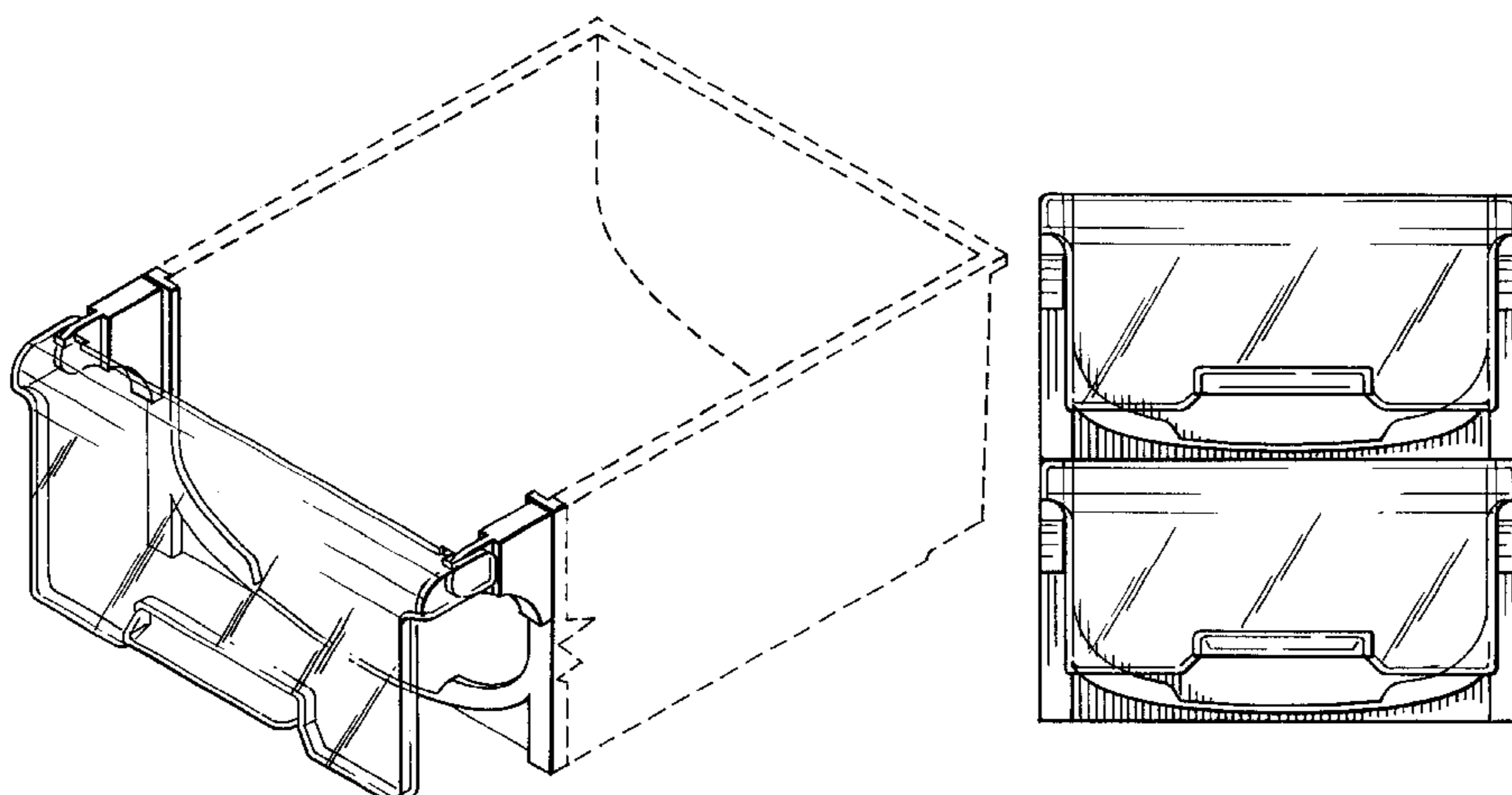
FIG. 13 is a top plan view thereof;

FIG. 14 is a bottom plan view thereof; and,

FIG. 15 is a right side view thereof, it being understood that the left side view is a mirror image reversal of the right side view.

The broken-line disclosure of elements of display bins is provided for illustrative purposes only and forms no part of the claimed design forms.

1 Claim, 7 Drawing Sheets



US D467,734 S

Page 2

U.S. PATENT DOCUMENTS

4,093,071 A	6/1978	Stahl et al.	206/507	4,760,921 A	8/1988	Licari	206/504
4,176,747 A	12/1979	Aho	206/509	5,111,939 A	5/1992	Schafer	206/503
D255,627 S	7/1980	Newsom, Jr. et al.	D6/157	5,127,524 A	7/1992	Howitt	206/509
4,244,486 A	1/1981	Ewald, Jr.	220/646	D330,328 S	* 10/1992	DiSesa, Jr.	D9/420
D267,387 S	12/1982	Koch	D7/52	5,190,156 A	3/1993	Conaway et al.	206/509
4,372,444 A	2/1983	Le Grand et al.	206/505	5,287,980 A	2/1994	Saltz	220/4.27
4,435,026 A	3/1984	Johnson	312/45	5,417,333 A	5/1995	Flum	211/59.2
4,473,155 A	9/1984	Howitt	206/505	D365,229 S	12/1995	Story et al.	D6/476
D276,775 S	12/1984	Antti et al.	D6/471	D379,884 S	6/1997	Eastman	D6/472
4,520,928 A	6/1985	Wilson	206/505	D381,235 S	7/1997	Bangert	D6/629
4,550,837 A	11/1985	Simmons	211/126	5,680,957 A	10/1997	Liu	220/602
4,567,989 A	2/1986	Hurst, Jr.	211/74	D394,577 S	5/1998	Baluk et al.	D6/470
D283,860 S	5/1986	Cantolino	D6/476	D429,882 S	* 8/2000	Lee et al.	D9/420
D283,861 S	5/1986	Cantolino	D6/471	D437,312 S	2/2001	Gorman	D6/492
4,634,193 A	* 1/1987	Liu	312/107	D446,055 S	8/2001	Lucht	D6/492

* cited by examiner

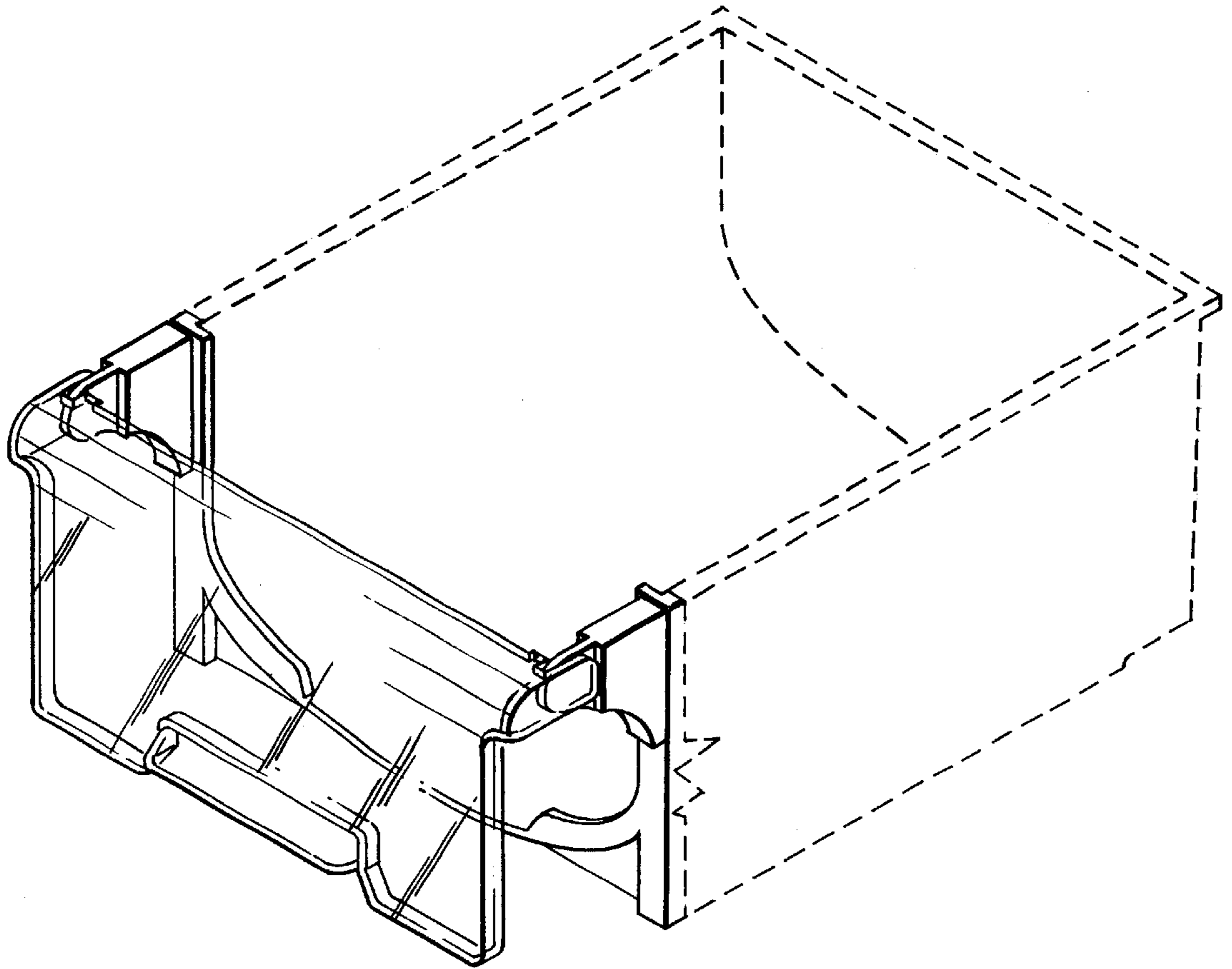


FIG. 1

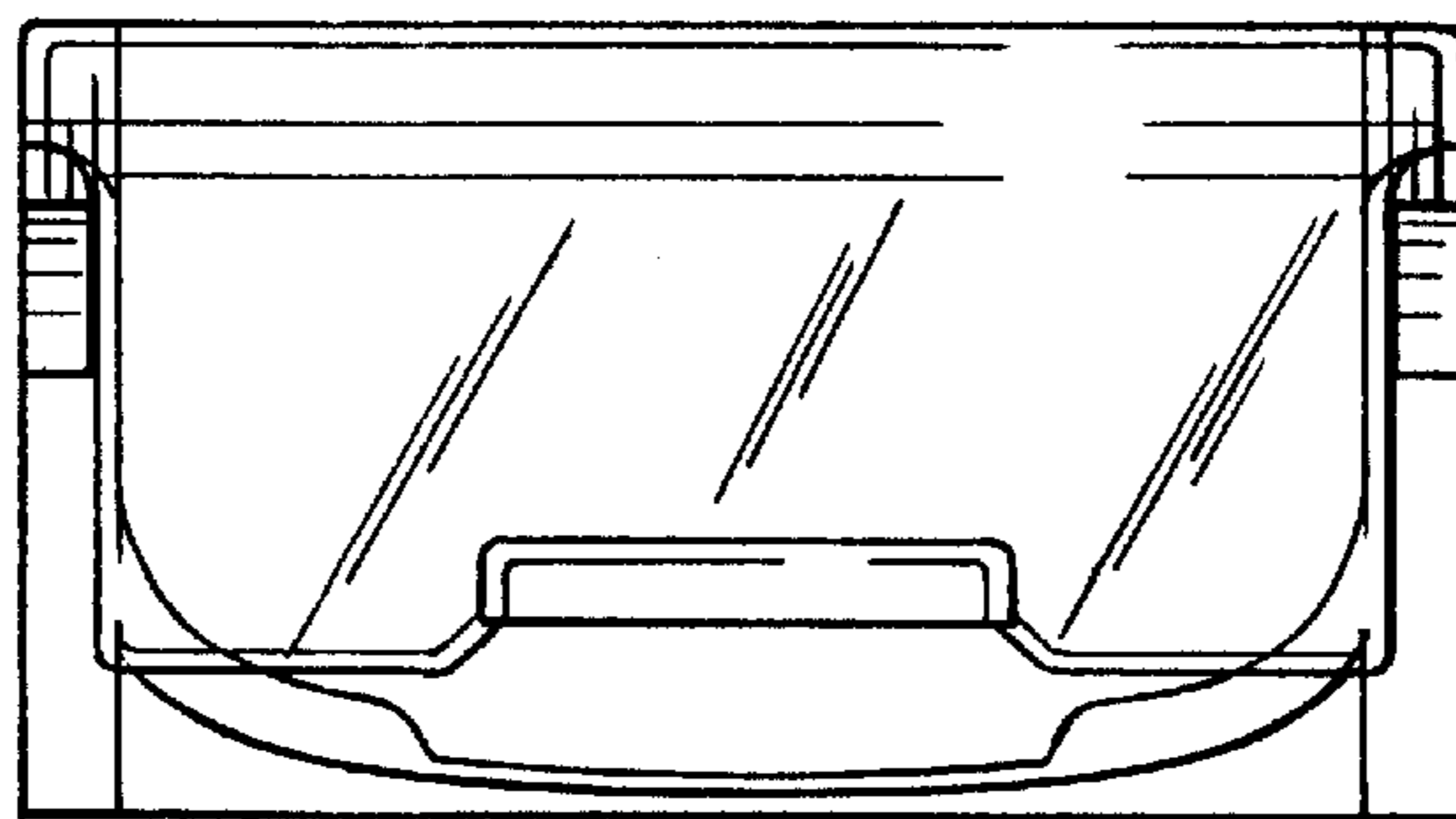


FIG. 2

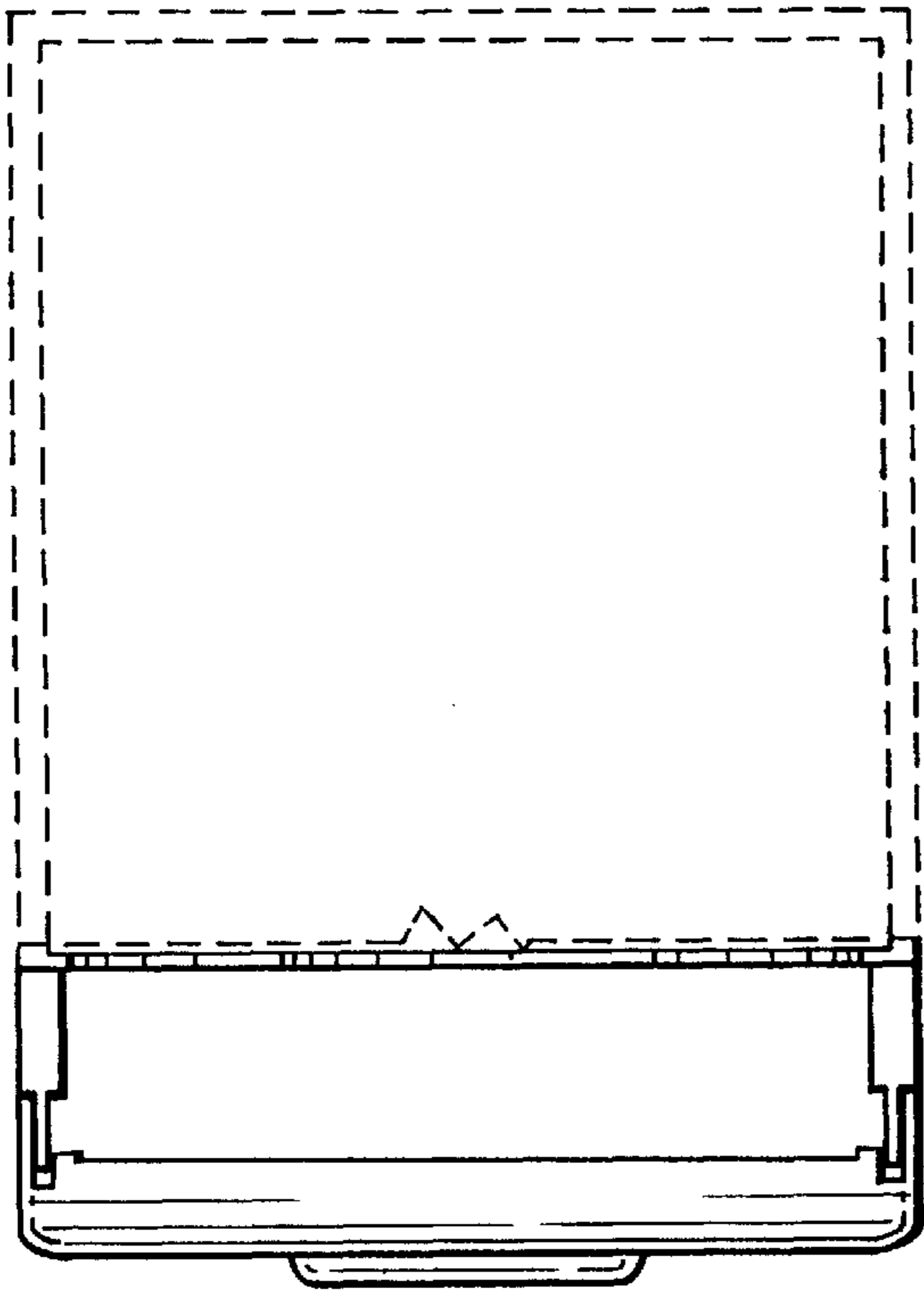


FIG. 3

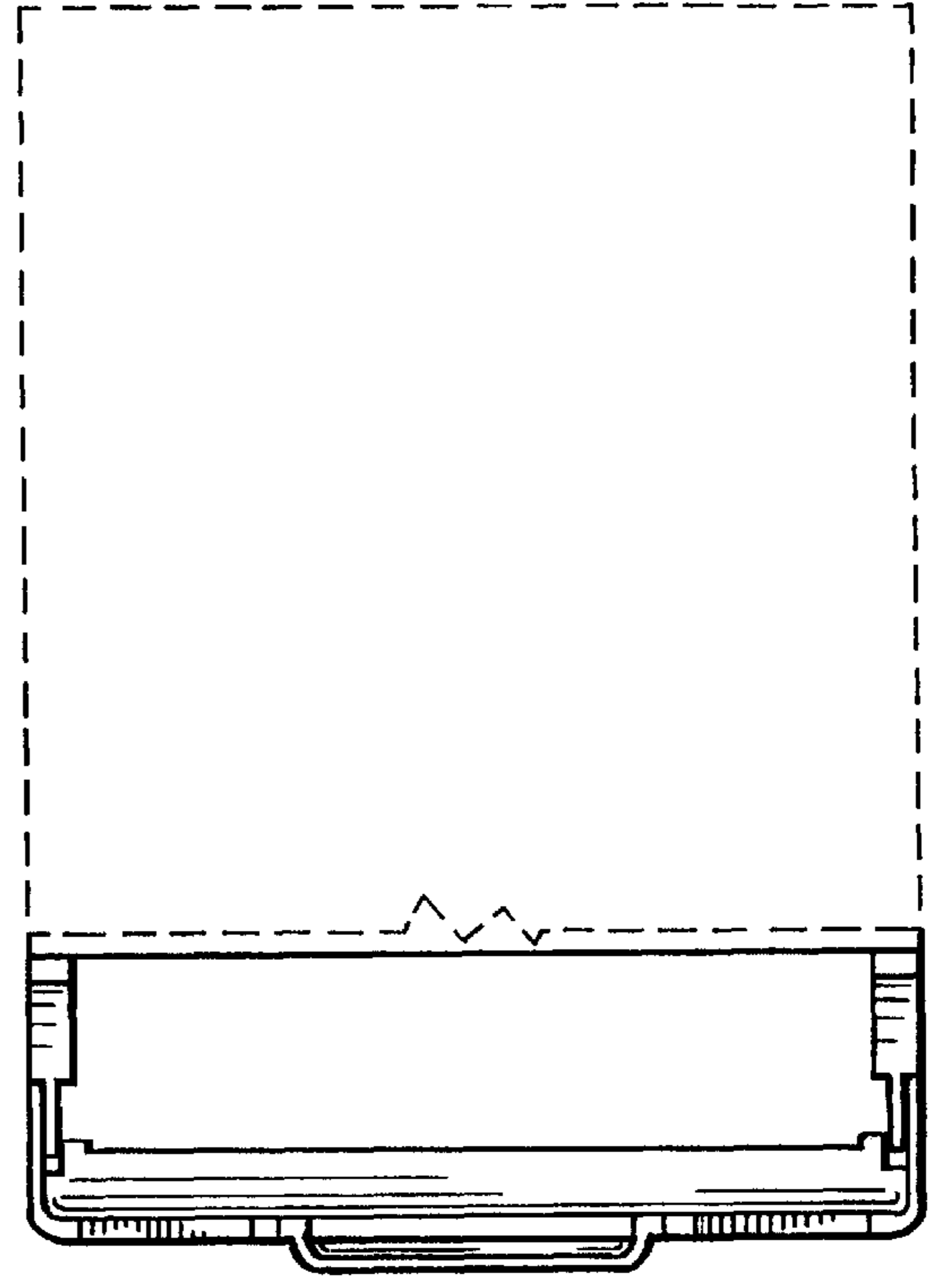


FIG. 4

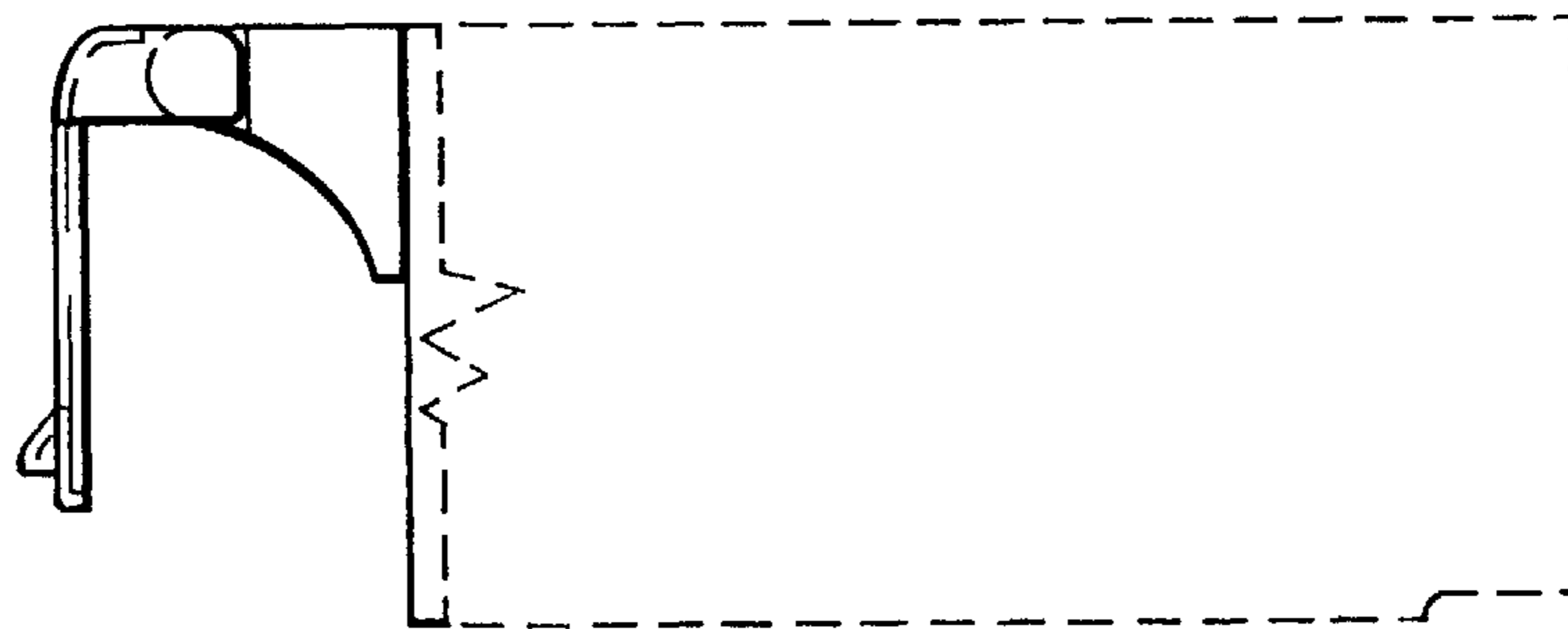


FIG. 5

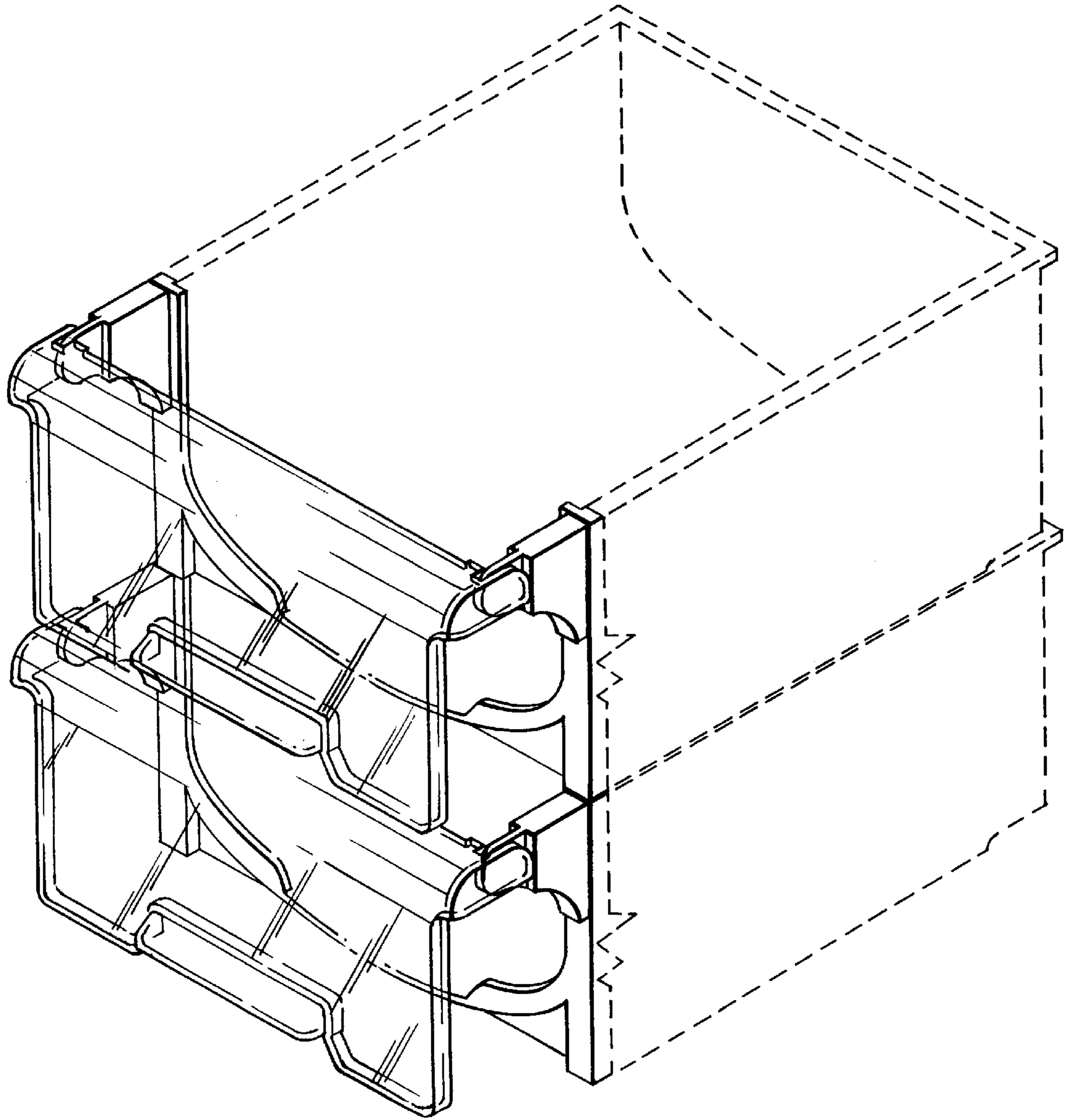


FIG. 6

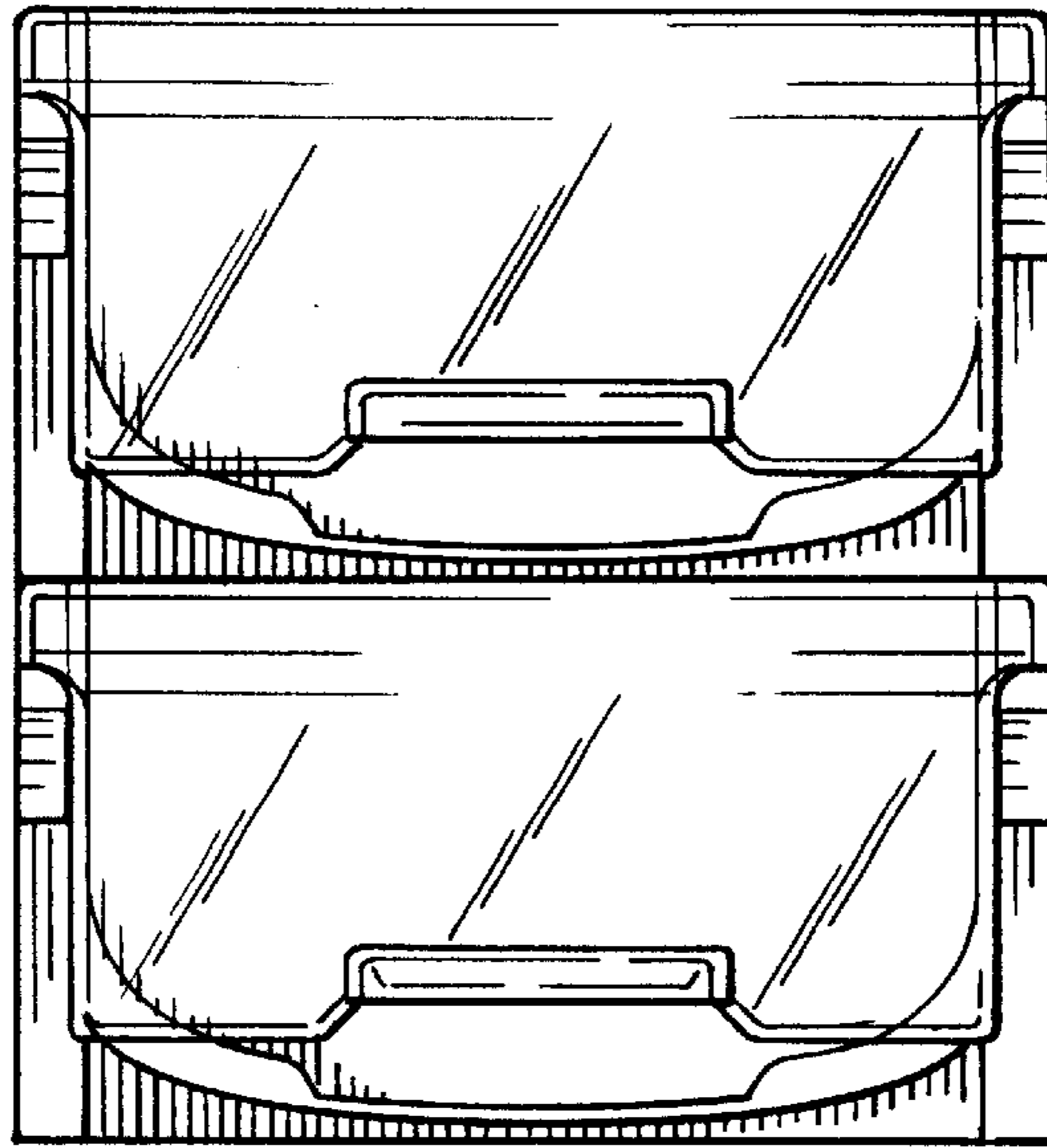


FIG. 7

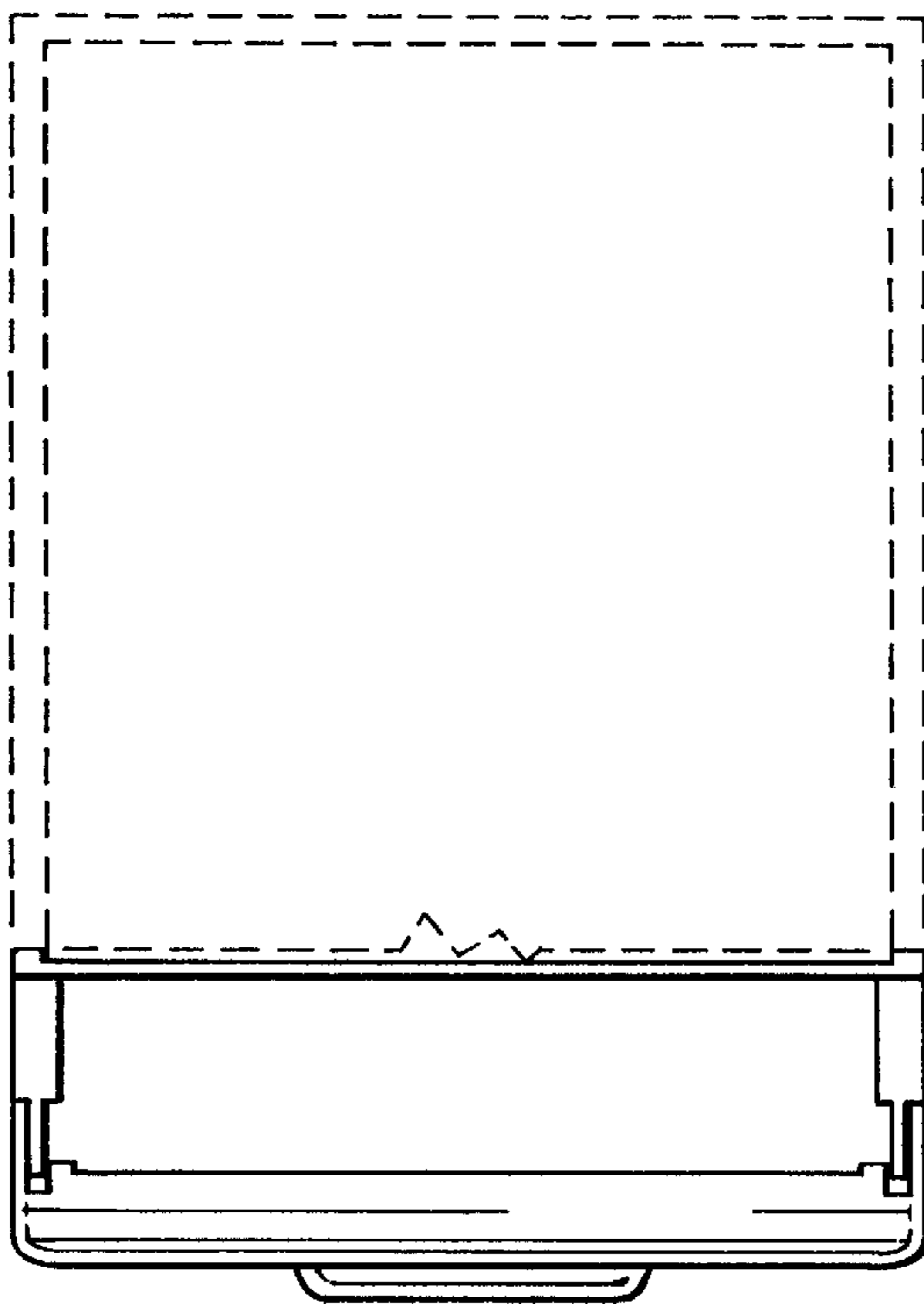


FIG. 8

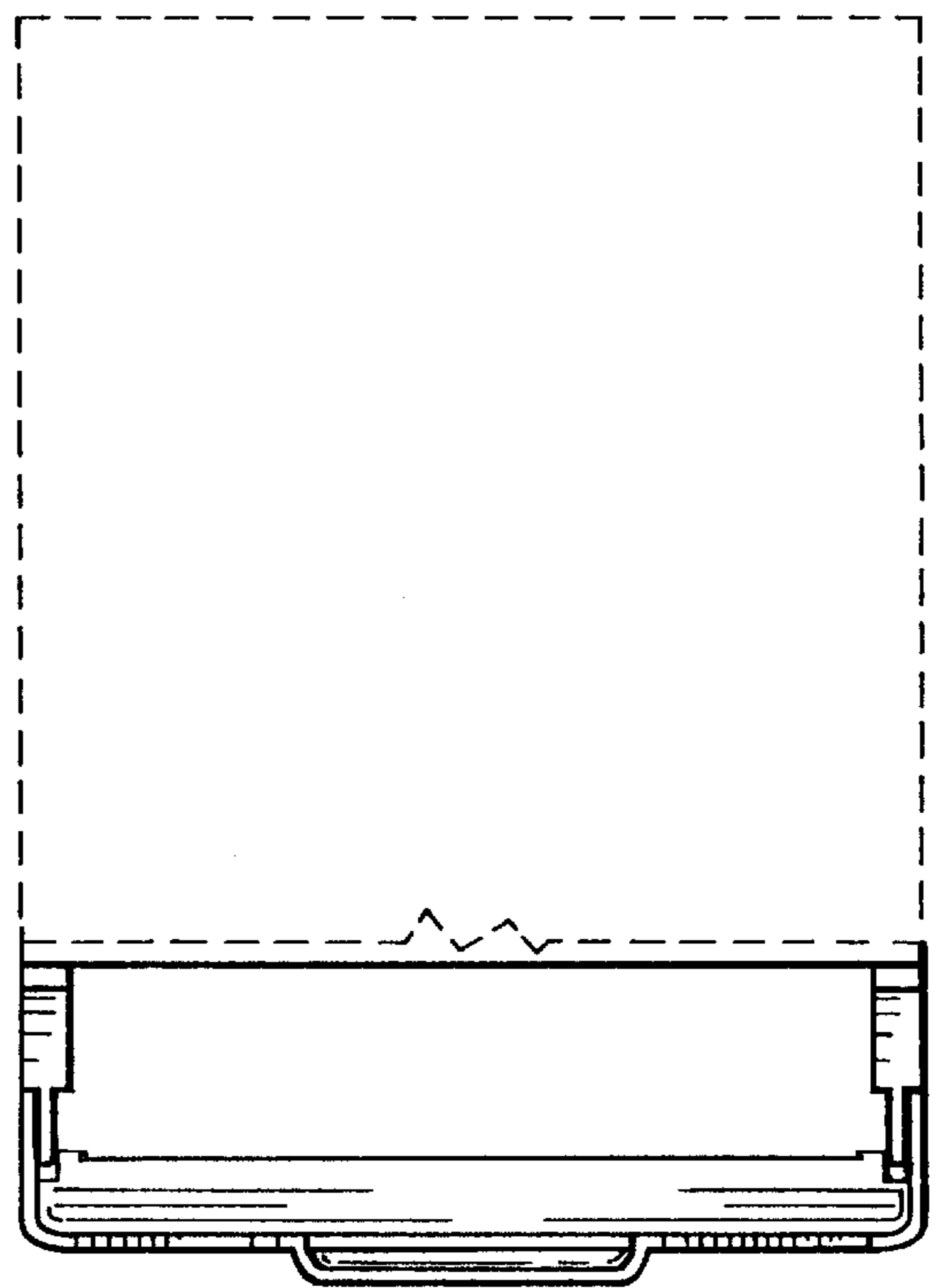


FIG. 9

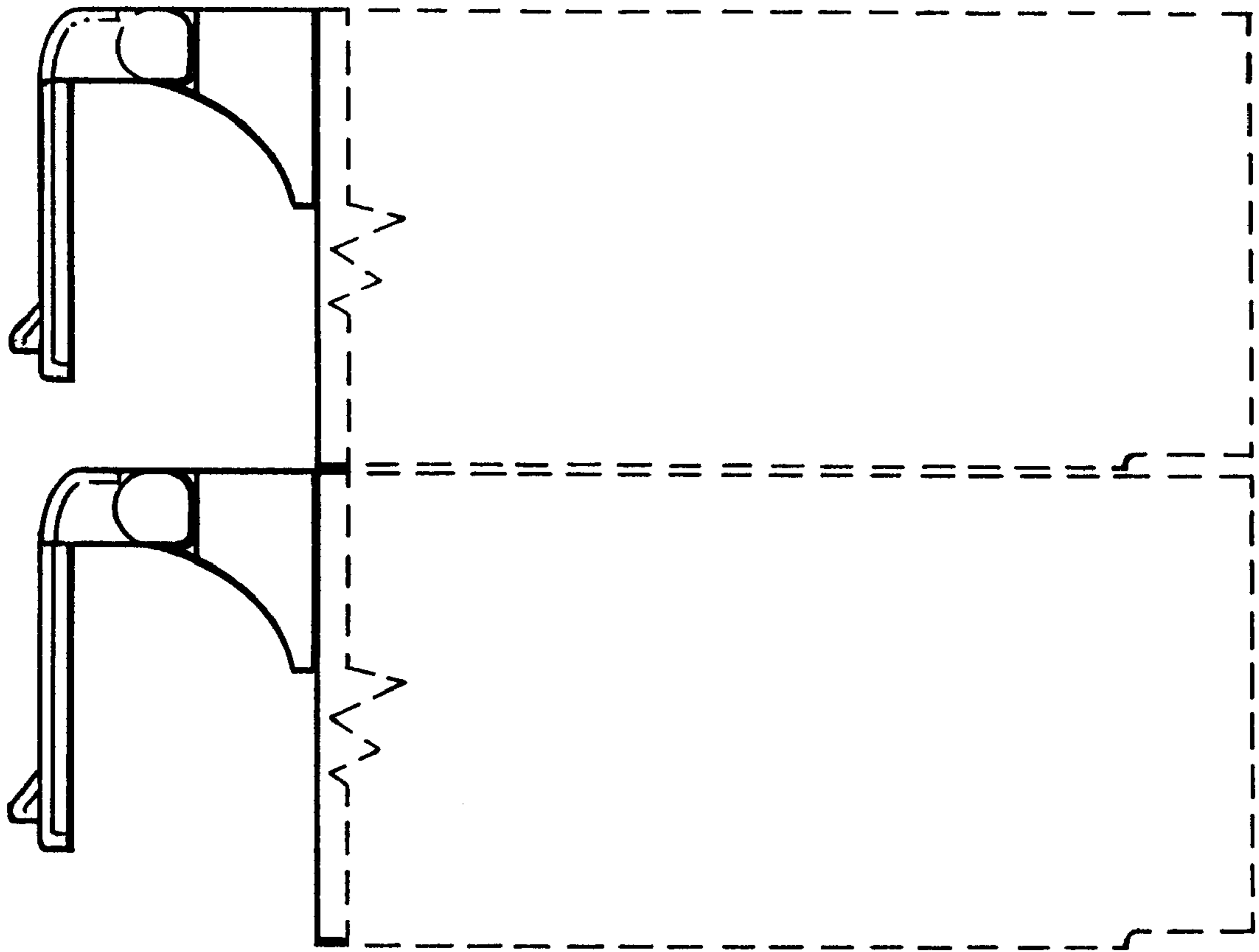


FIG. 10

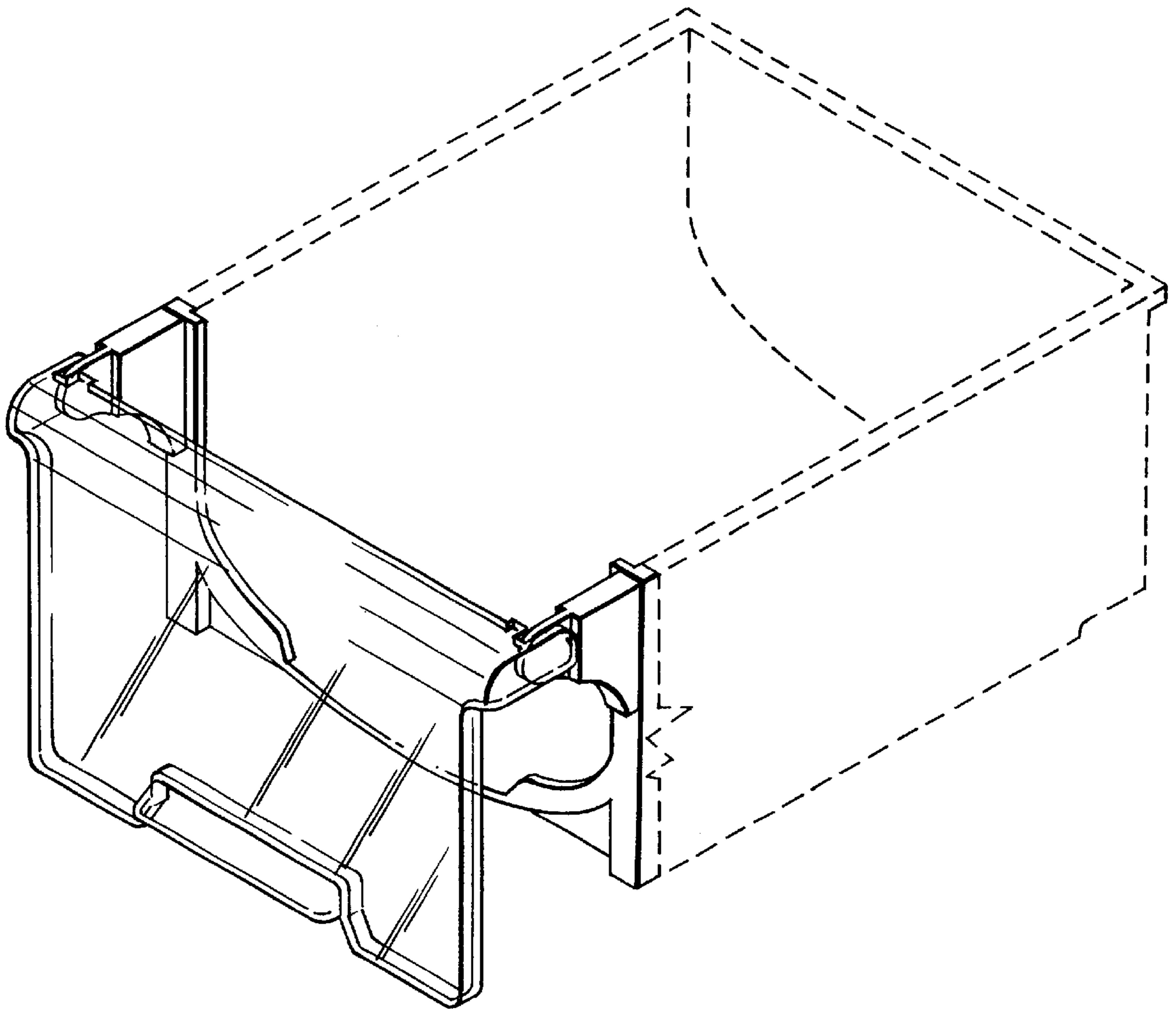


FIG. 11

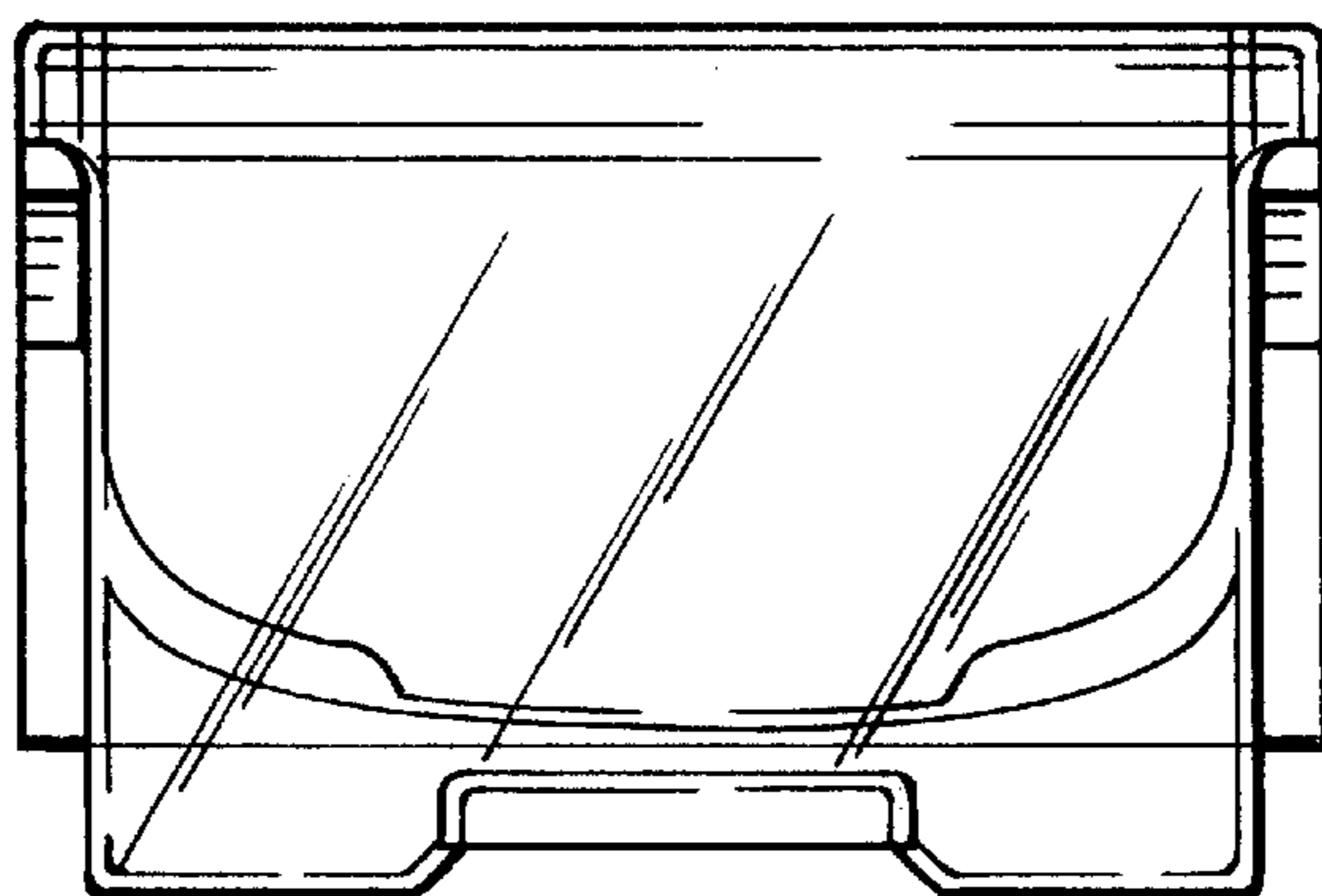


FIG. 12

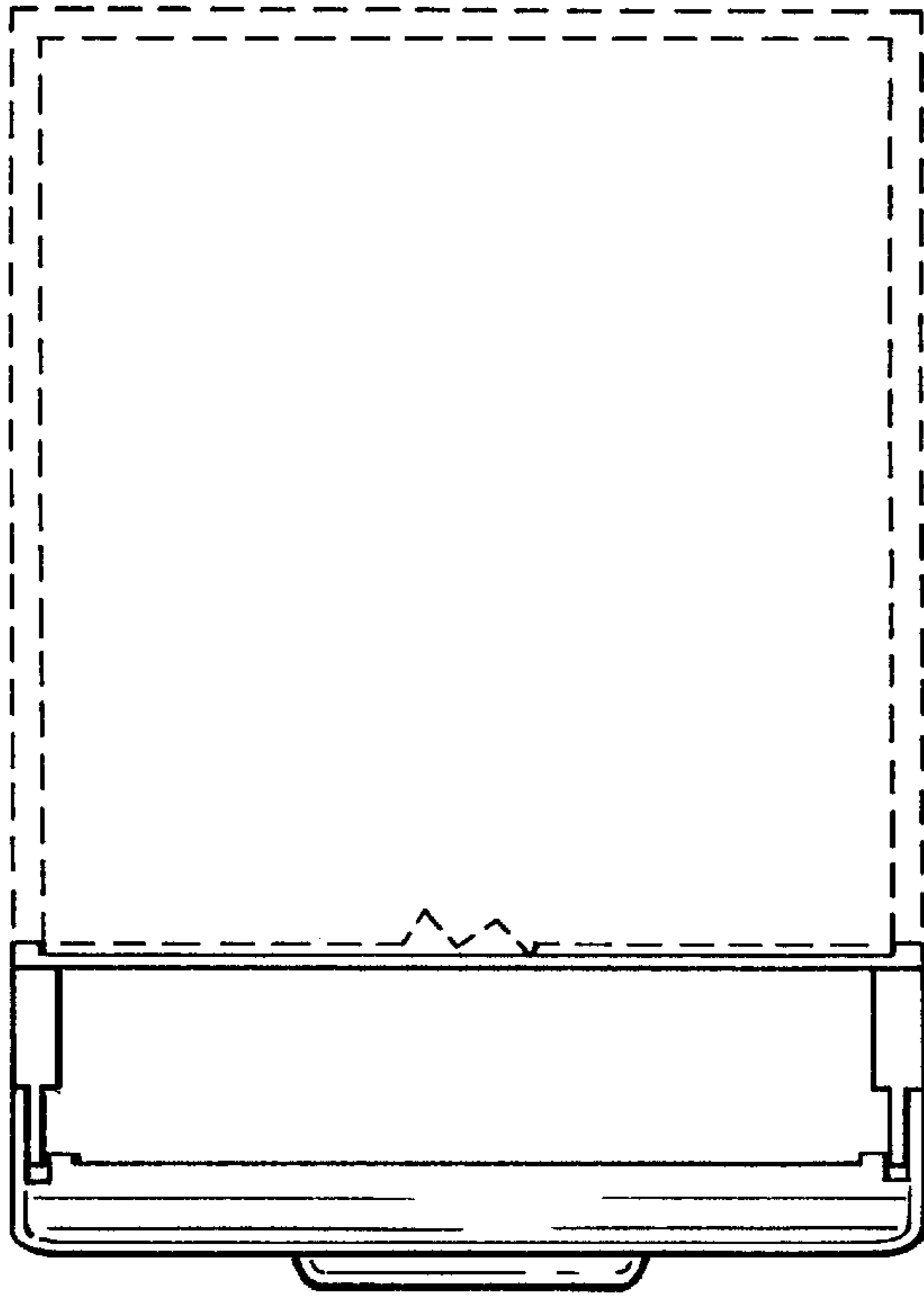


FIG. 13

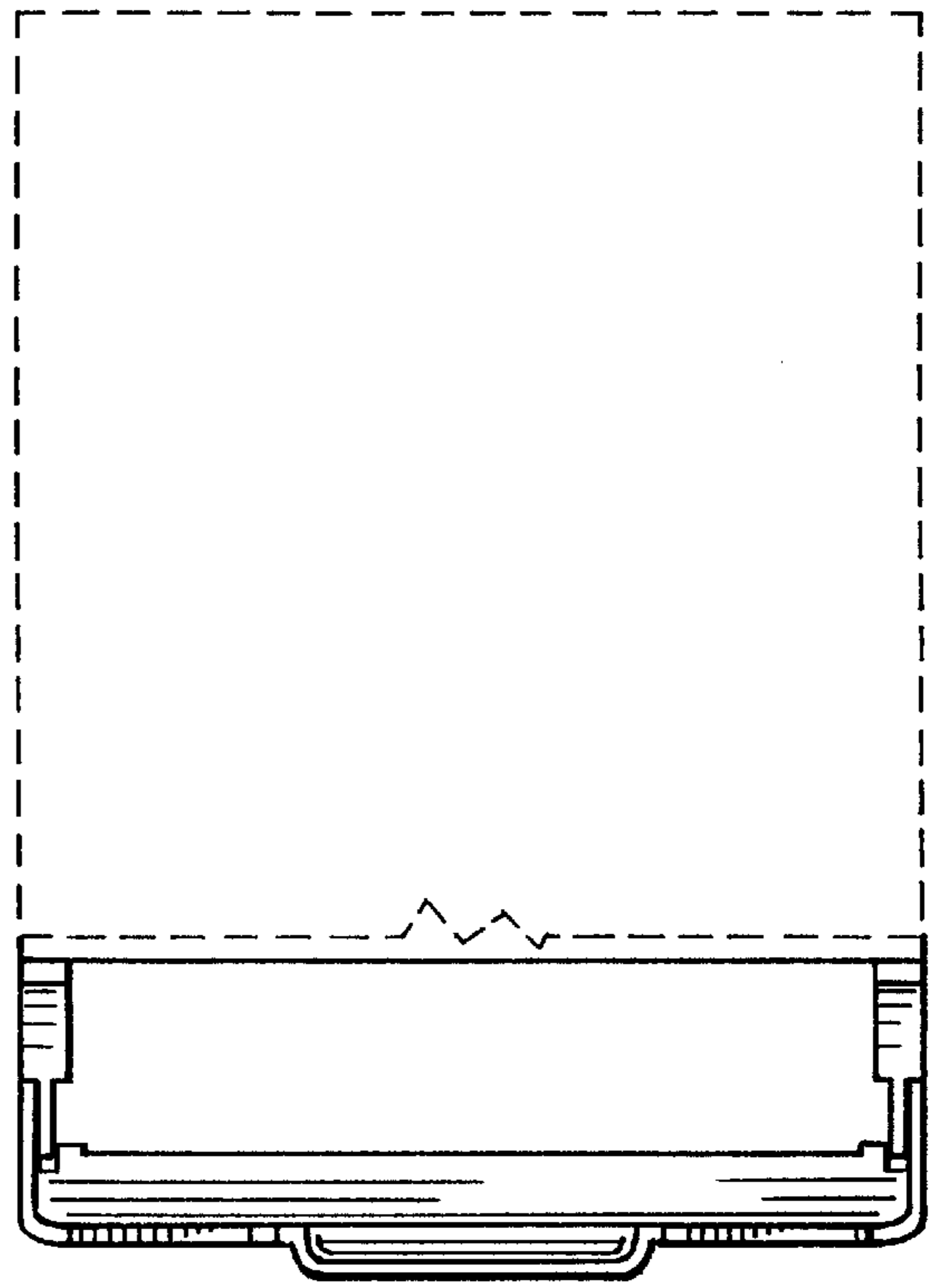


FIG. 14

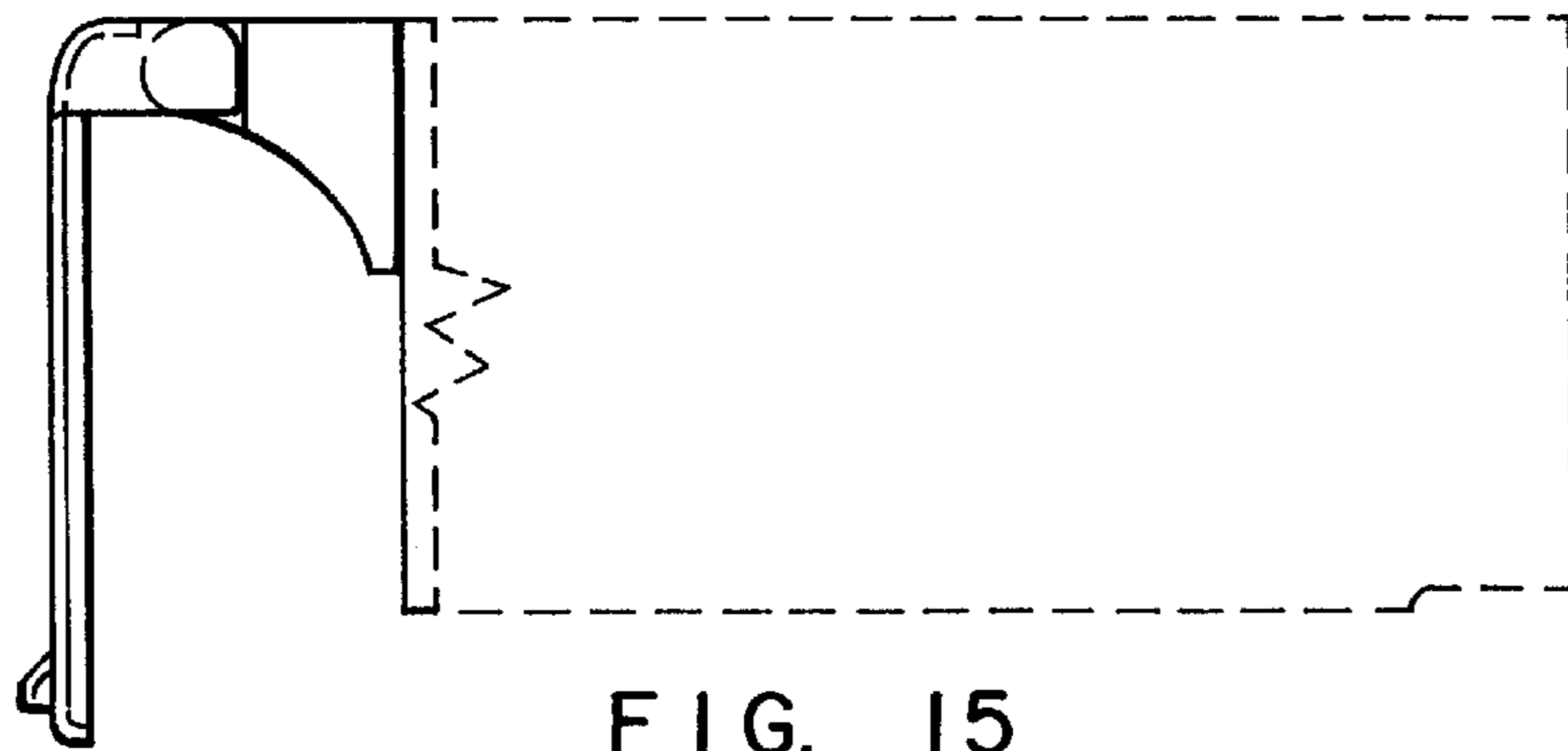


FIG. 15