



US00D467731S

(12) **United States Design Patent**
Pratt

(10) **Patent No.:** **US D467,731 S**

(45) **Date of Patent:** **** Dec. 31, 2002**

(54) **TREASURE CHEST**

(76) **Inventor:** **Craig Pratt**, 4290 NE. Indian River
Dr., Jensen Beach, FL (US) 34957

(**) **Term:** **14 Years**

(21) **Appl. No.:** **29/156,122**

(22) **Filed:** **Feb. 25, 2002**

(51) **LOC (7) Cl.** **03-01**

(52) **U.S. Cl.** **D3/294; D3/273**

(58) **Field of Search** D3/270, 271, 272,
D3/273, 294, 903; D9/423, 424, 425; 206/457,
349

(56) **References Cited**

U.S. PATENT DOCUMENTS

| | | | | | |
|------------|---|---------|-----------|-------|--------|
| D76,561 S | * | 10/1928 | Snell | | D3/270 |
| D84,954 S | * | 8/1931 | Purchas | | D3/270 |
| D173,199 S | * | 10/1954 | Goodhue | | D3/270 |
| D334,662 S | * | 4/1993 | van Berne | | D3/270 |

D349,812 S * 8/1994 Rockery et al. D3/273

D354,518 S * 1/1995 Dietterich et al. D3/272

D399,651 S * 10/1998 Maguire D3/272

D439,405 S * 3/2001 Veazey D3/271

* cited by examiner

Primary Examiner—Philip S. Hyder

(74) *Attorney, Agent, or Firm*—Kevin Redmond

(57) **CLAIM**

I claim the ornamental design for a treasure chest, as shown and described.

DESCRIPTION

FIG. 1 is a perspective view of the open treasure chest.

FIG. 2 is a front view of the treasure chest.

FIG. 3 is a back view of the treasure chest.

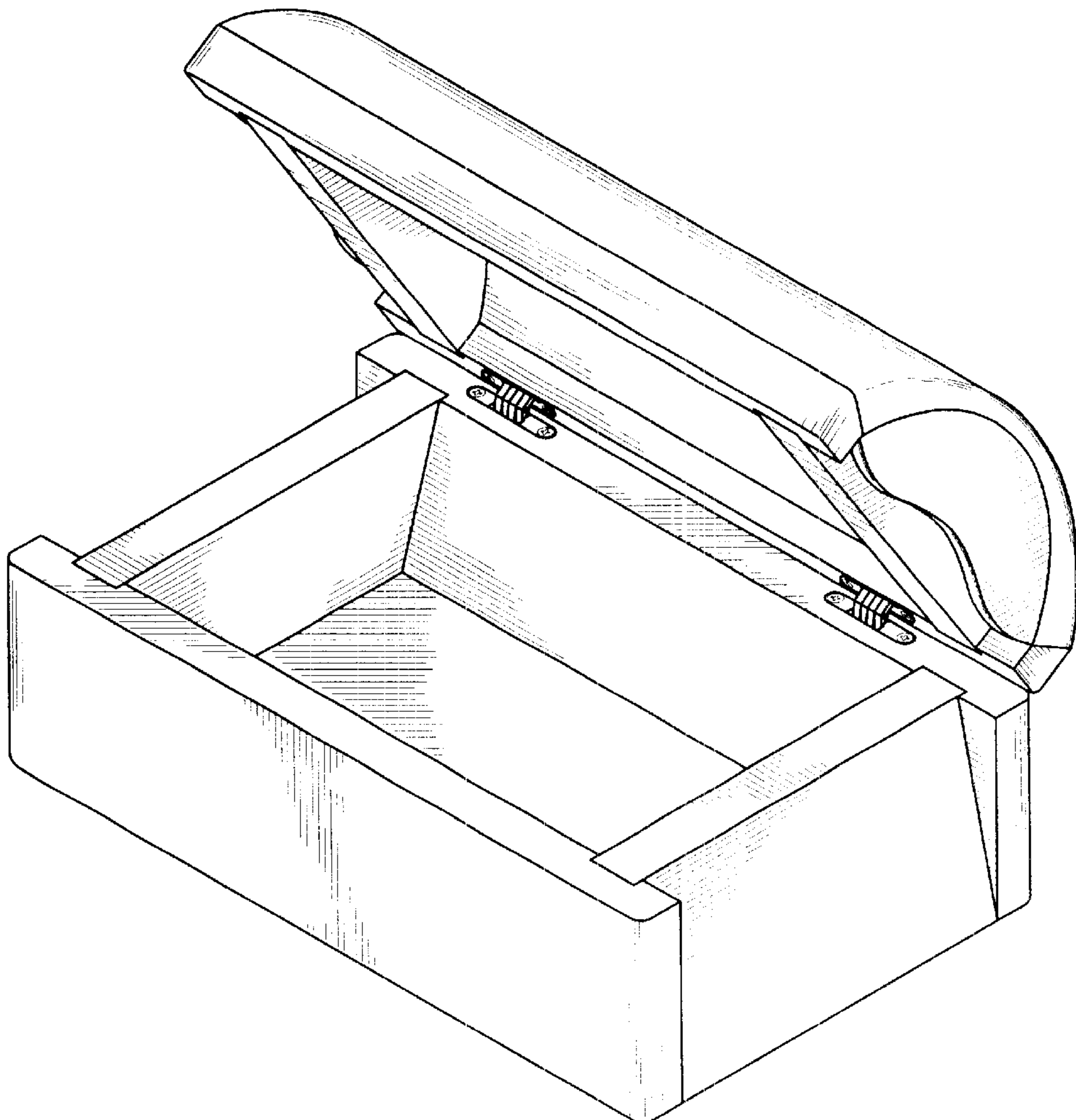
FIG. 4 is a left side view of the treasure chest.

FIG. 5 is a right side view of the treasure chest.

FIG. 6 is a top view of the treasure chest; and,

FIG. 7 is a bottom view of the treasure chest.

1 Claim, 4 Drawing Sheets



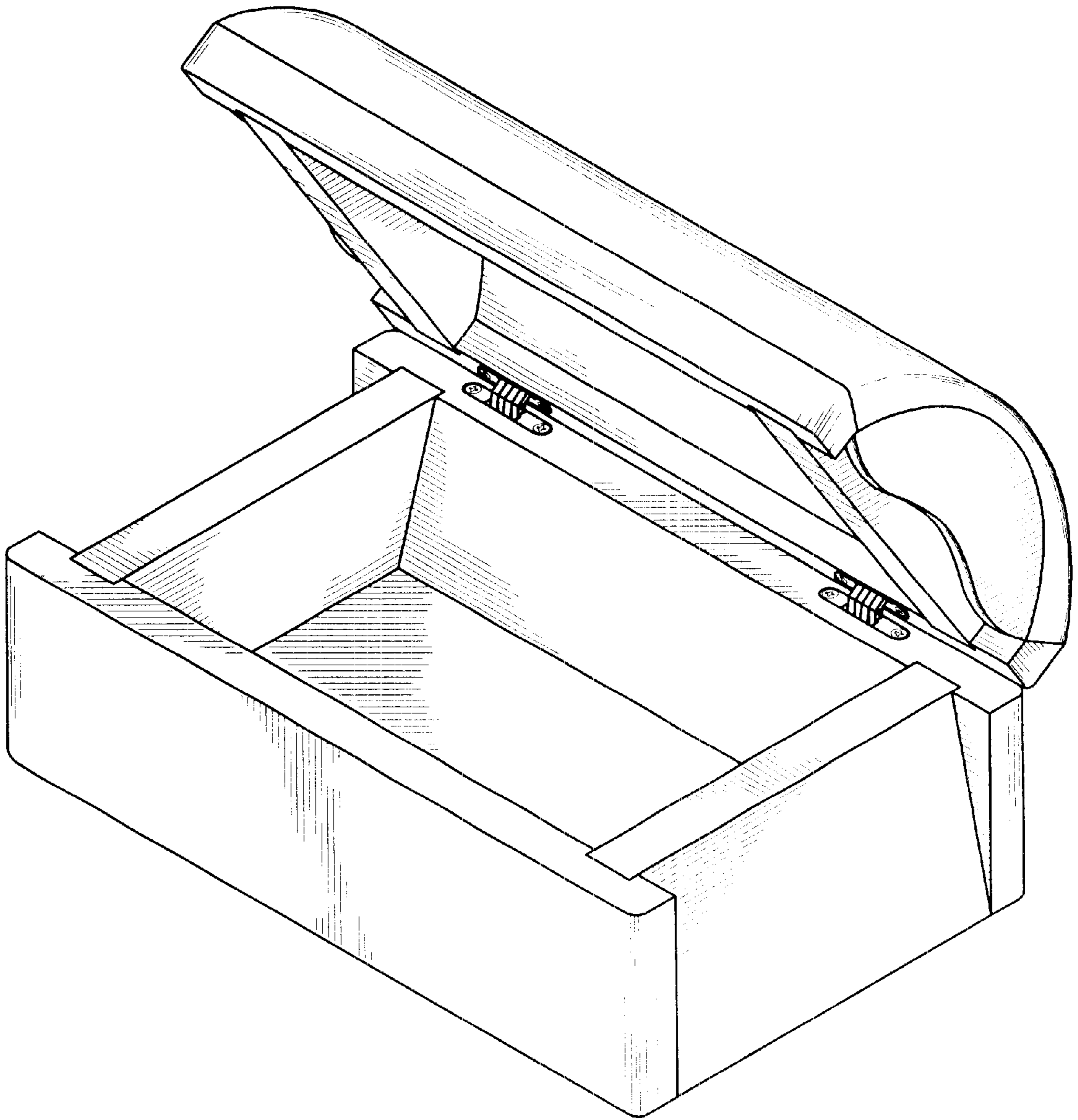


Fig. 1

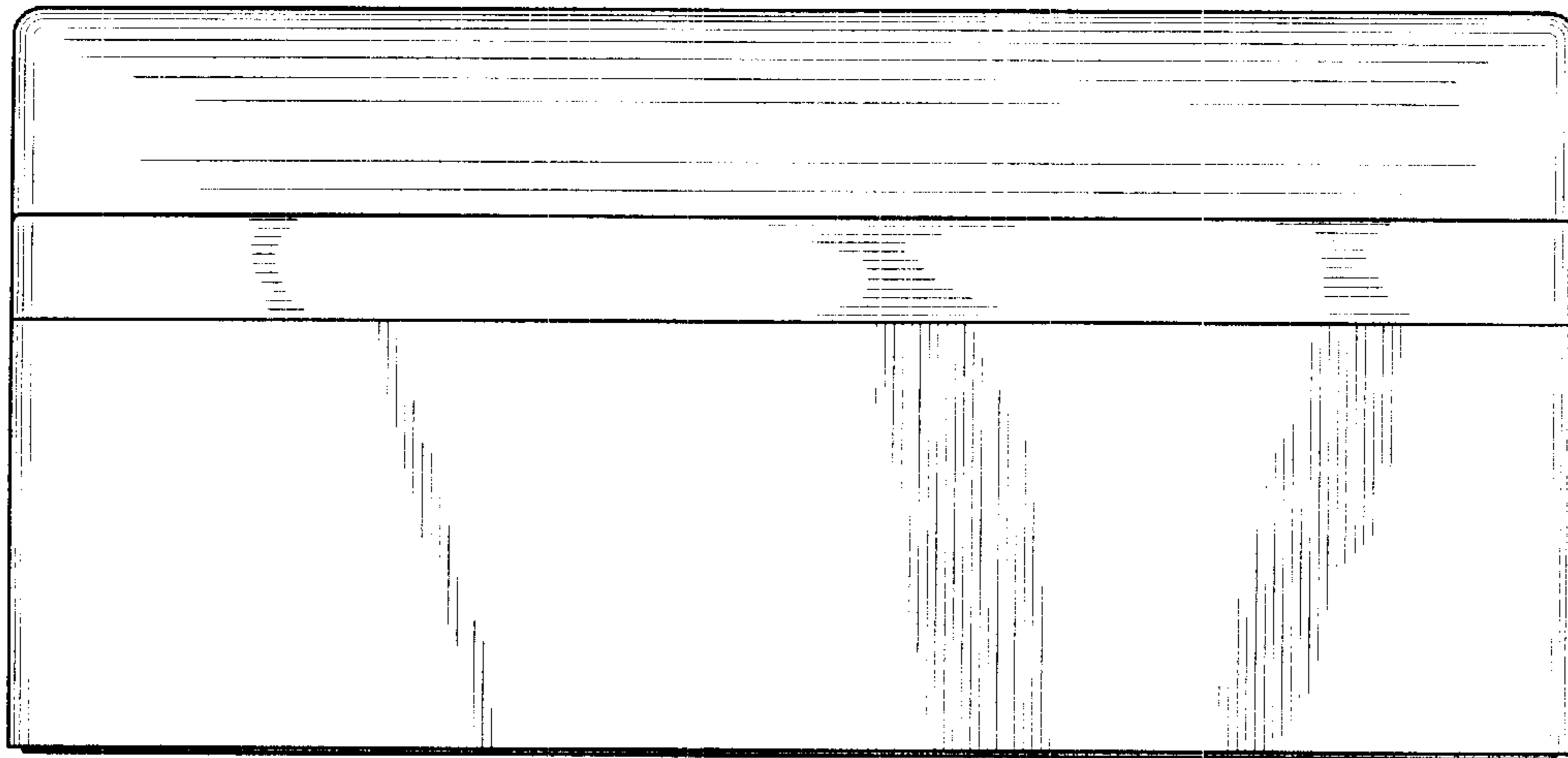


Fig. 2

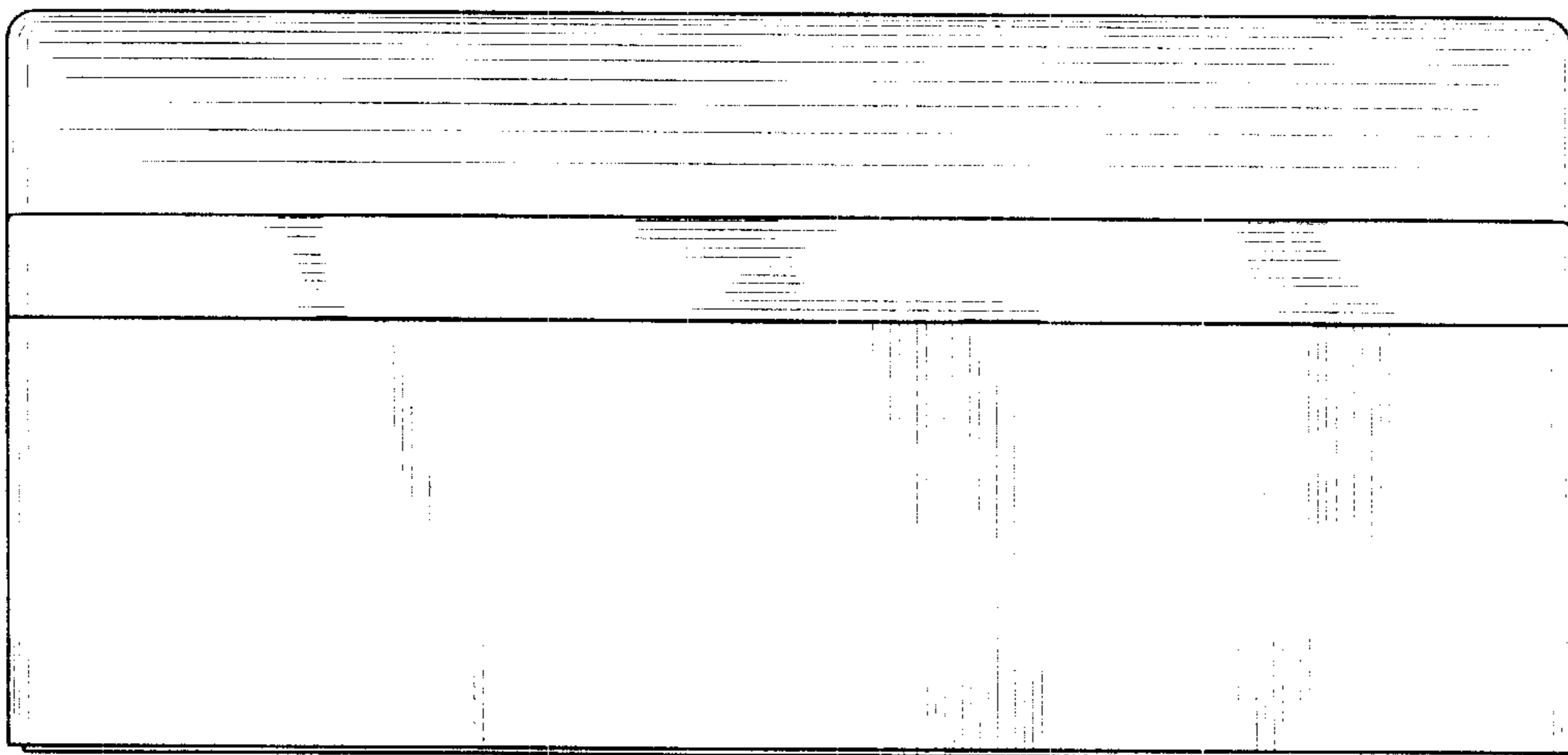


Fig. 3

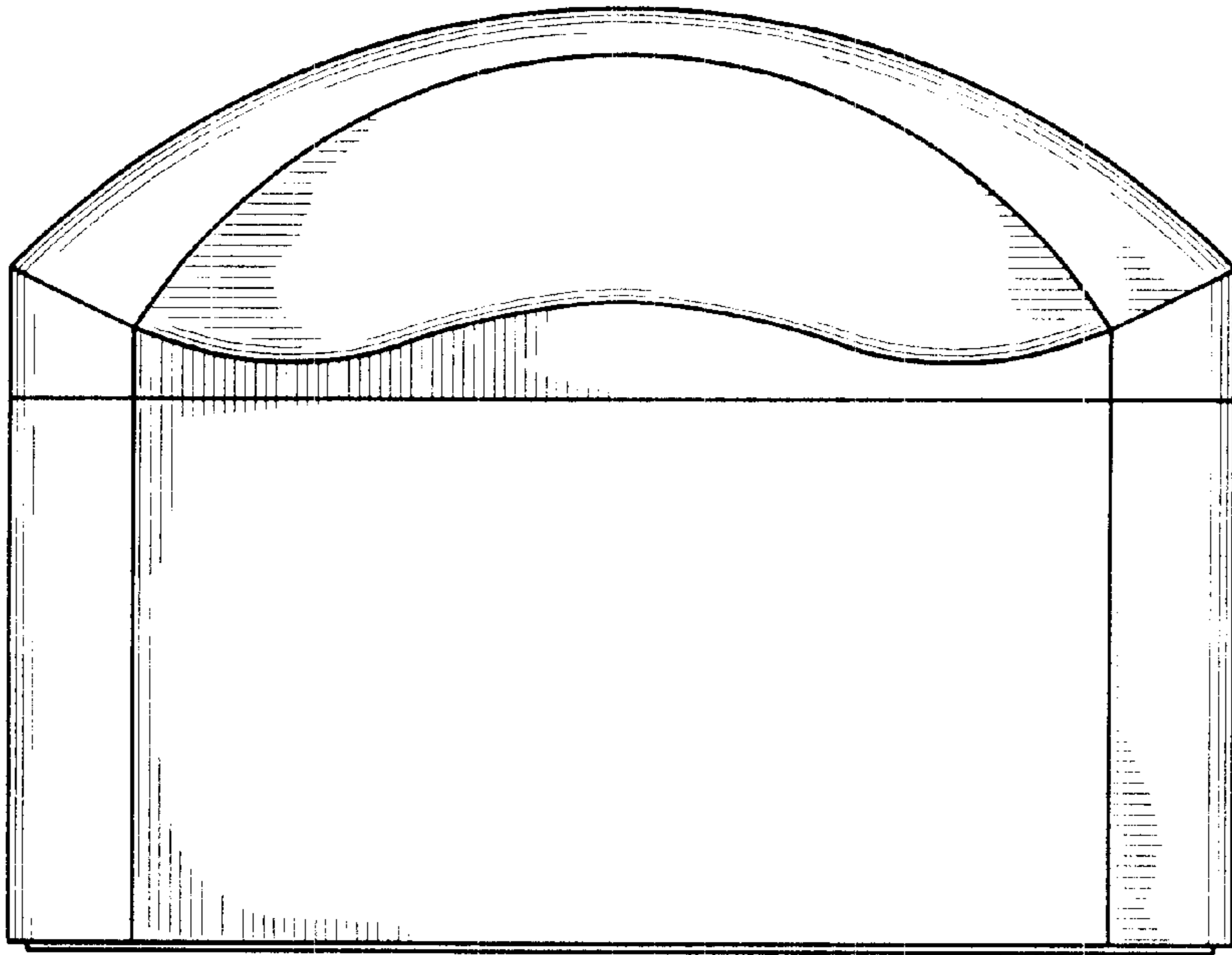


Fig. 4

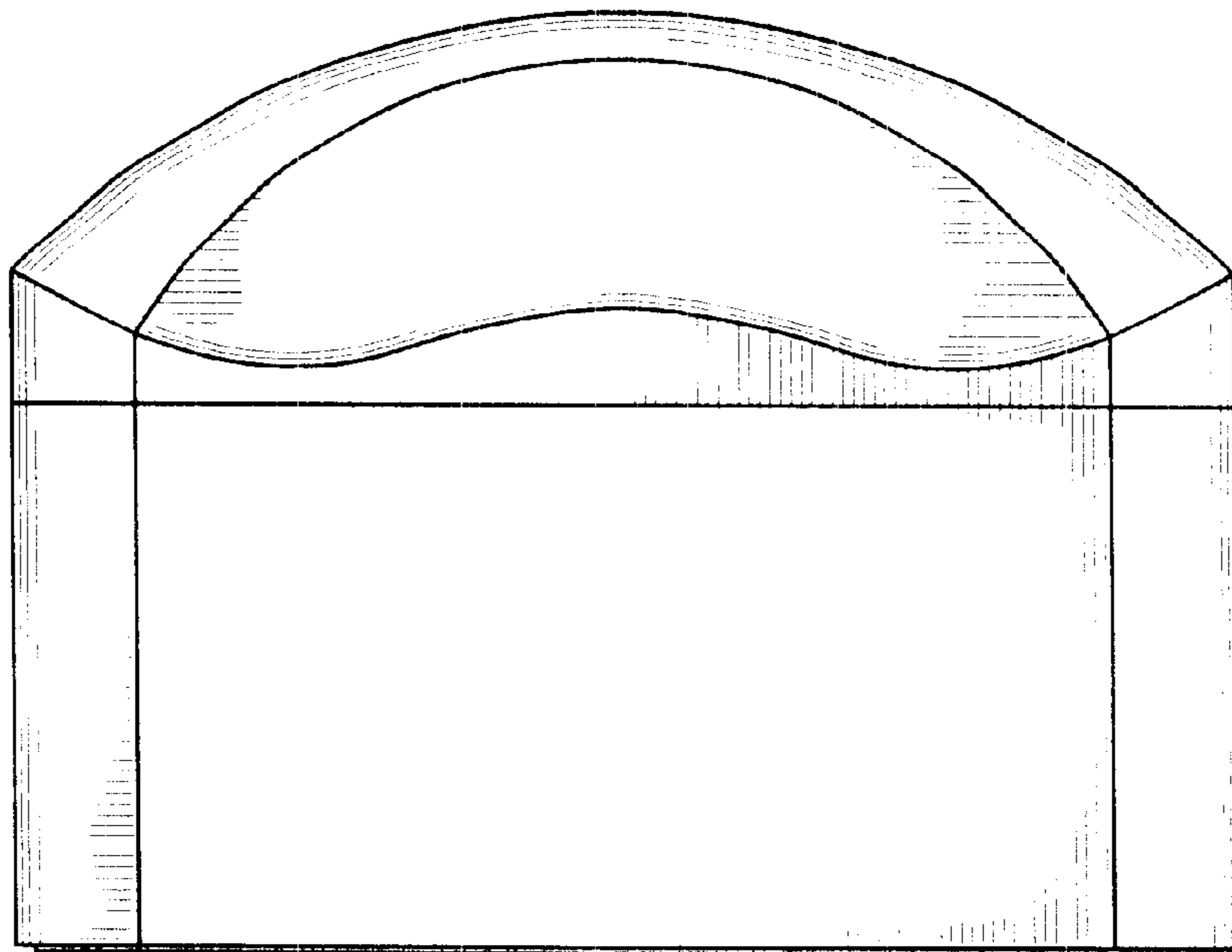


Fig. 5



Fig. 6

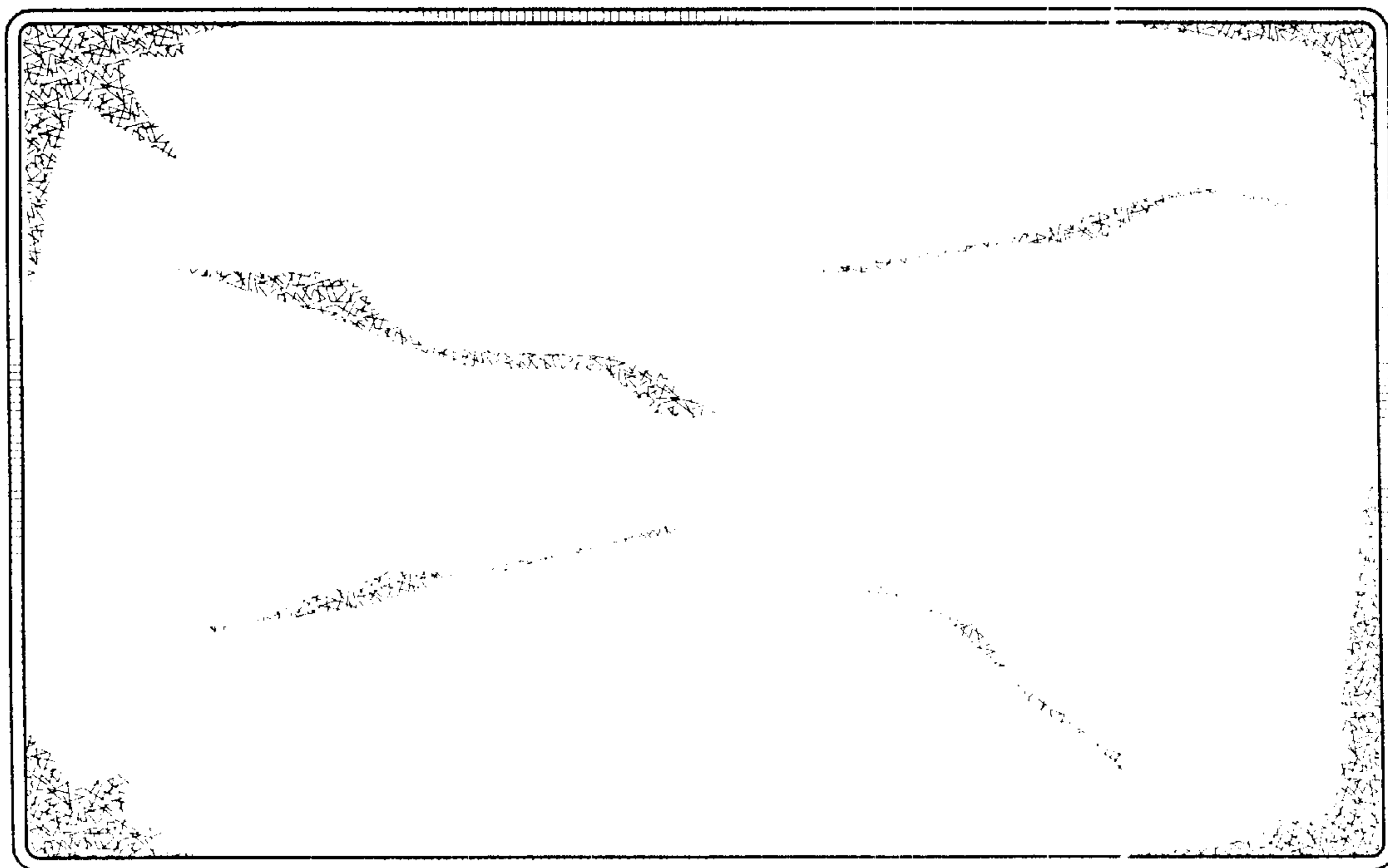


Fig. 7