



US00D467730S

(12) **United States Design Patent**
Ekerot et al.

(10) **Patent No.:** **US D467,730 S**

(45) **Date of Patent:** **** Dec. 31, 2002**

(54) **CONTAINER**

(75) Inventors: **Jakob Ekerot**, Uppsala (SE); **Gunnar Ahlberg**, Dallas, TX (US)

(73) Assignee: **Envirotainer Engineering AB**, Knivsta (SE)

(**) Term: **14 Years**

(21) Appl. No.: **29/153,447**

(22) Filed: **Jan. 10, 2002**

(30) **Foreign Application Priority Data**

Jul. 10, 2001 (SE) 01-1158

(51) **LOC (7) Cl.** **03-01**

(52) **U.S. Cl.** **D3/273**

(58) **Field of Search** D3/272, 273, 294,
D3/302; D9/423, 420; 206/320, 349, 372,
373, 508, 509, 510, 512

(56) **References Cited**

U.S. PATENT DOCUMENTS

D221,913 S * 9/1971 Perkins et al. D3/302

D221,914 S * 9/1971 Perkins et al. D3/302
3,913,741 A * 10/1975 Pirie 206/508
D240,205 S * 6/1976 Visser et al. D3/302
D289,108 S * 4/1987 Guibault D3/260
D328,188 S * 7/1992 Jacobsen et al. D3/273
D347,324 S * 5/1994 Dickinson D3/272
D356,891 S * 4/1995 Hobson D3/201
5,641,090 A * 6/1997 Kowalski et al. 206/508
D394,550 S * 5/1998 Tanji D3/273

* cited by examiner

Primary Examiner—Philip S. Hyder

(74) *Attorney, Agent, or Firm*—Young & Thompson

(57) **CLAIM**

The ornamental design for a container, as shown.

DESCRIPTION

FIG. 1 is a top plan view of a container showing our new design;

FIG. 2 is a side elevational view thereof;

FIG. 3 is a top, front and side perspective view thereof;

FIG. 4 is a bottom, rear and side perspective view thereof; and,

FIG. 5 is a front elevational view thereof.

1 Claim, 5 Drawing Sheets

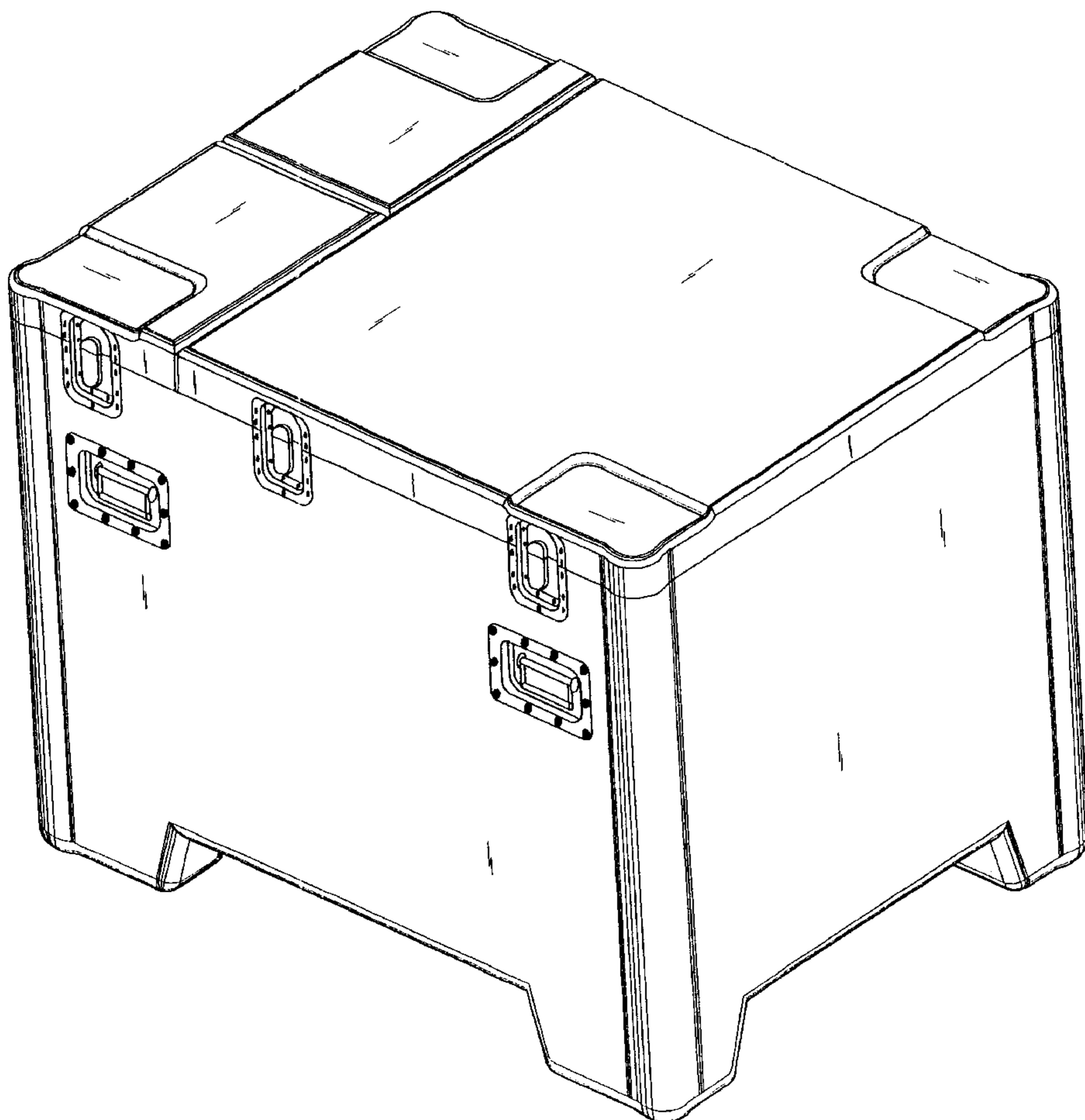


Fig. 1

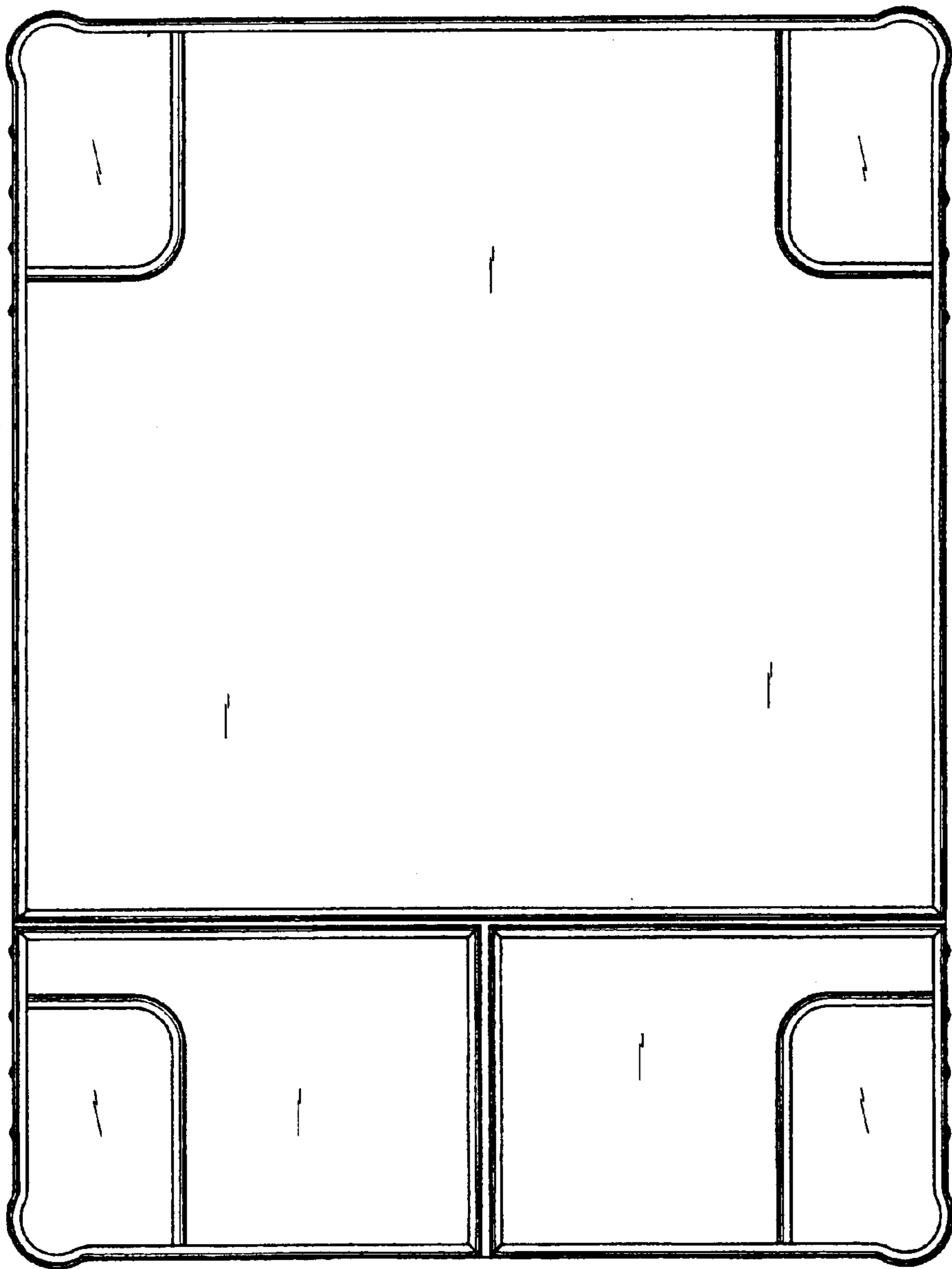


Fig. 2

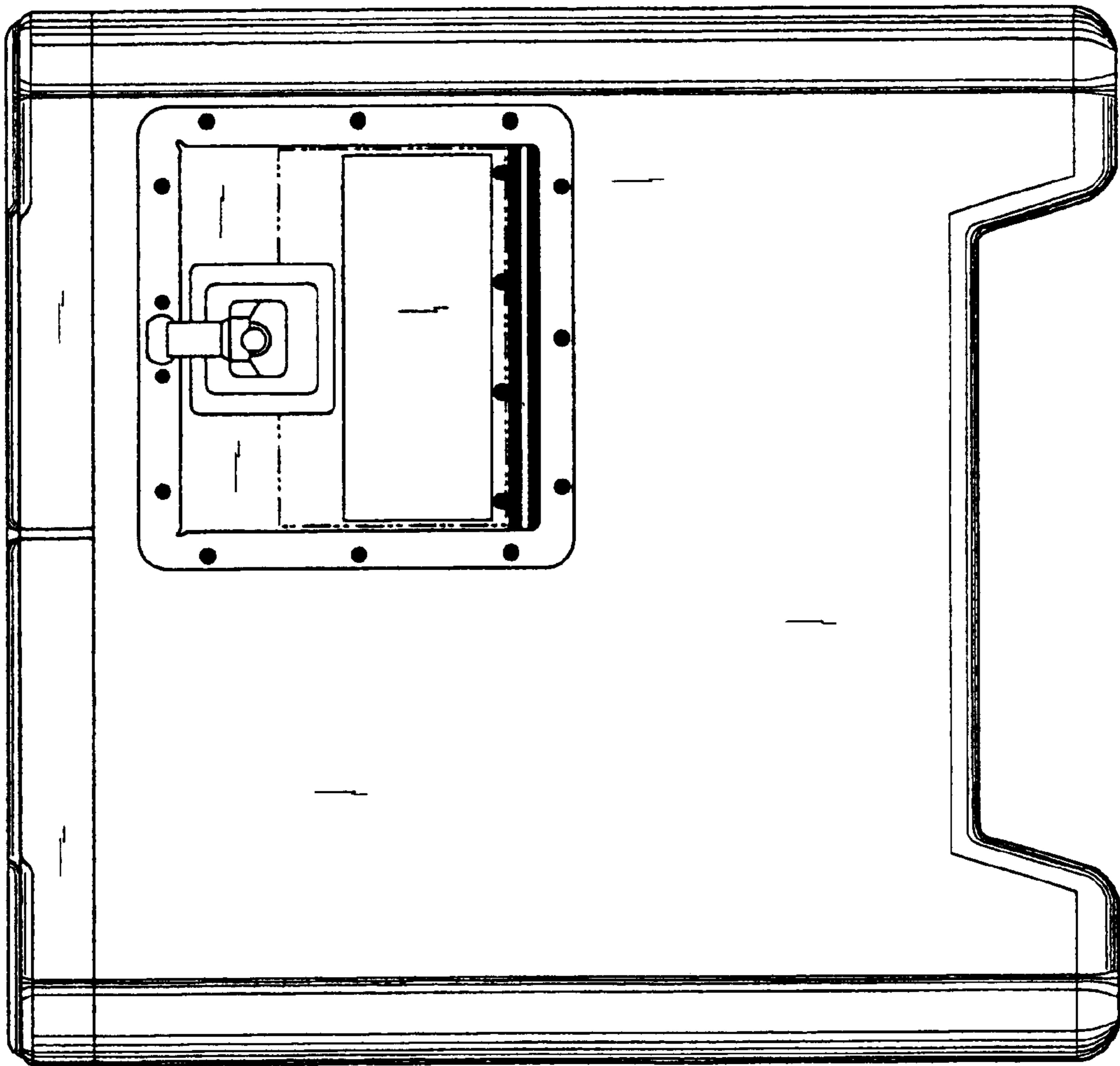


Fig. 3

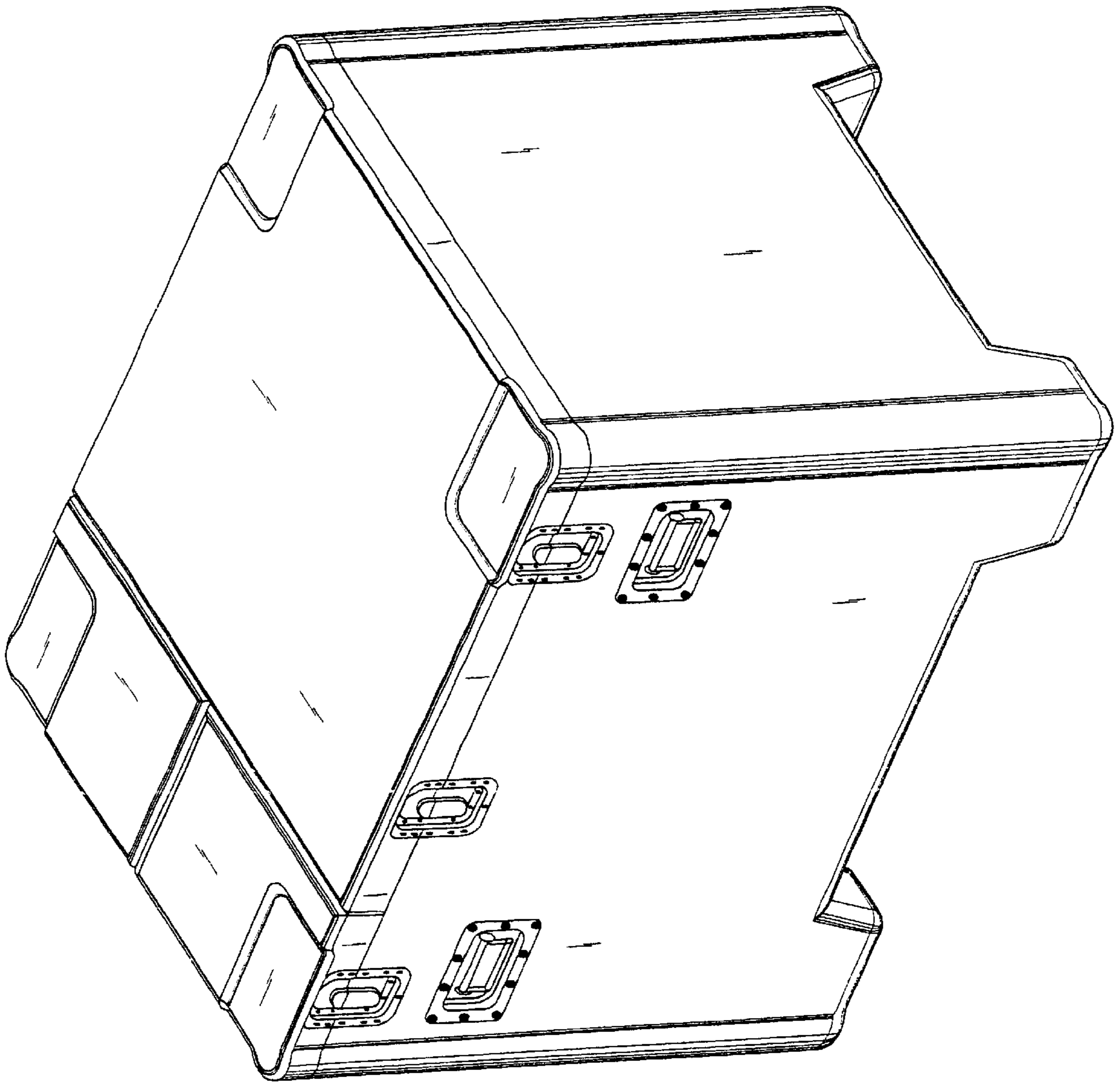


Fig. 4

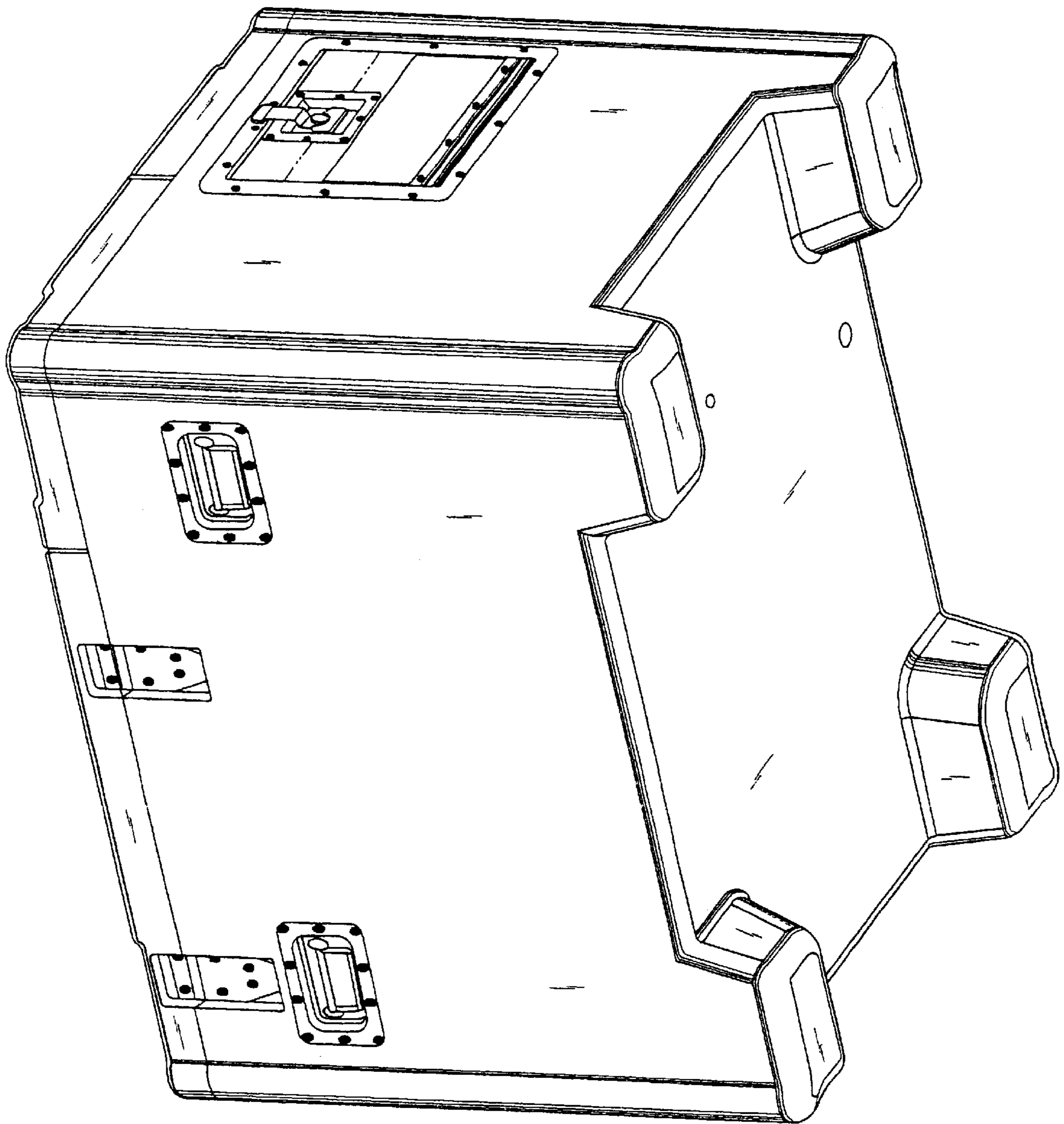


Fig. 5

