



US00D467699S

(12) **United States Design Patent**
King

(10) **Patent No.:** **US D467,699 S**

(45) **Date of Patent:** **** Dec. 24, 2002**

(54) **JACK STAND**

(76) Inventor: **Isaac King**, 13725 La Salle # 107,
Detroit, MI (US) 48238

(**) Term: **14 Years**

(21) Appl. No.: **29/148,509**

(22) Filed: **Sep. 21, 2001**

(51) **LOC (7) Cl.** **12-05**

(52) **U.S. Cl.** **D34/31**

(58) **Field of Search** D34/28, 31; D8/71,
D8/61; D12/101, 106; 254/2 R, 8 R, 11,
84, 93 H, 93 R, 930 A, 133, 134, 418,
419; 248/354.5

D350,888 S	*	9/1994	Perry	D8/71
D356,416 S	*	3/1995	Winslow et al.	D34/31
D357,787 S	*	4/1995	Sullivan	D34/31
D364,978 S	*	12/1995	Smith	D12/106
D368,569 S	*	4/1996	Winslow et al.	D34/31
5,520,360 A	*	5/1996	Wensman	248/354.5
D376,239 S	*	12/1996	Rasmussen	D34/31
D384,482 S	*	9/1997	Thole	D34/31
D388,925 S	*	1/1998	Hulegaard et al.	D34/31
5,904,342 A	*	5/1999	Laarman	254/419
5,915,672 A		6/1999	Dickey		
6,019,337 A	*	2/2000	Brown	248/354.5
6,099,016 A	*	8/2000	Peveler	254/419
6,155,536 A	*	11/2000	Digman	254/93 R
D447,309 S	*	8/2001	Wilson	D34/31

* cited by examiner

Primary Examiner—Cynthia E. Ramirez

(56) **References Cited**

U.S. PATENT DOCUMENTS

2,461,810 A	*	2/1949	Curtis	254/2 R
2,970,810 A	*	2/1961	Zich et al.	254/2 R
3,132,833 A	*	5/1964	McLaughlin	248/354.5
3,170,672 A	*	2/1965	Stoneberg	254/93 R
3,330,602 A	*	7/1967	Riley	254/93 H
3,355,136 A	*	11/1967	Staples	248/354.5
D224,431 S	*	7/1972	Keegan	D34/31
D230,014 S	*	1/1974	Edgell	D34/31
4,042,202 A		8/1977	Molinari		
4,284,293 A	*	8/1981	Rygajlo	248/354.5
4,345,734 A	*	8/1982	Studinger	248/354.5
D269,473 S		6/1983	Jonsson		
D278,753 S	*	5/1985	Honour, VII	D34/31
D281,199 S	*	10/1985	Prawl	D34/28
4,684,097 A	*	8/1987	Cox	248/354.5
4,690,361 A		9/1987	Lundman		
4,811,924 A		3/1989	Walters		
4,856,747 A		8/1989	Gano		
D309,818 S	*	8/1990	Bink	D34/31
5,180,131 A		1/1993	Few		
D348,966 S	*	7/1994	Guyton	D34/31

(57) **CLAIM**

The ornamental design for a jack stand, as shown and described.

DESCRIPTION

FIG. 1 is a front elevational exploded view of the jack stand of the present invention, the rear view being a mirror image thereof;

FIG. 2 is a left side elevational exploded view of the jack stand of FIG. 1, the right view being a mirror image thereof;

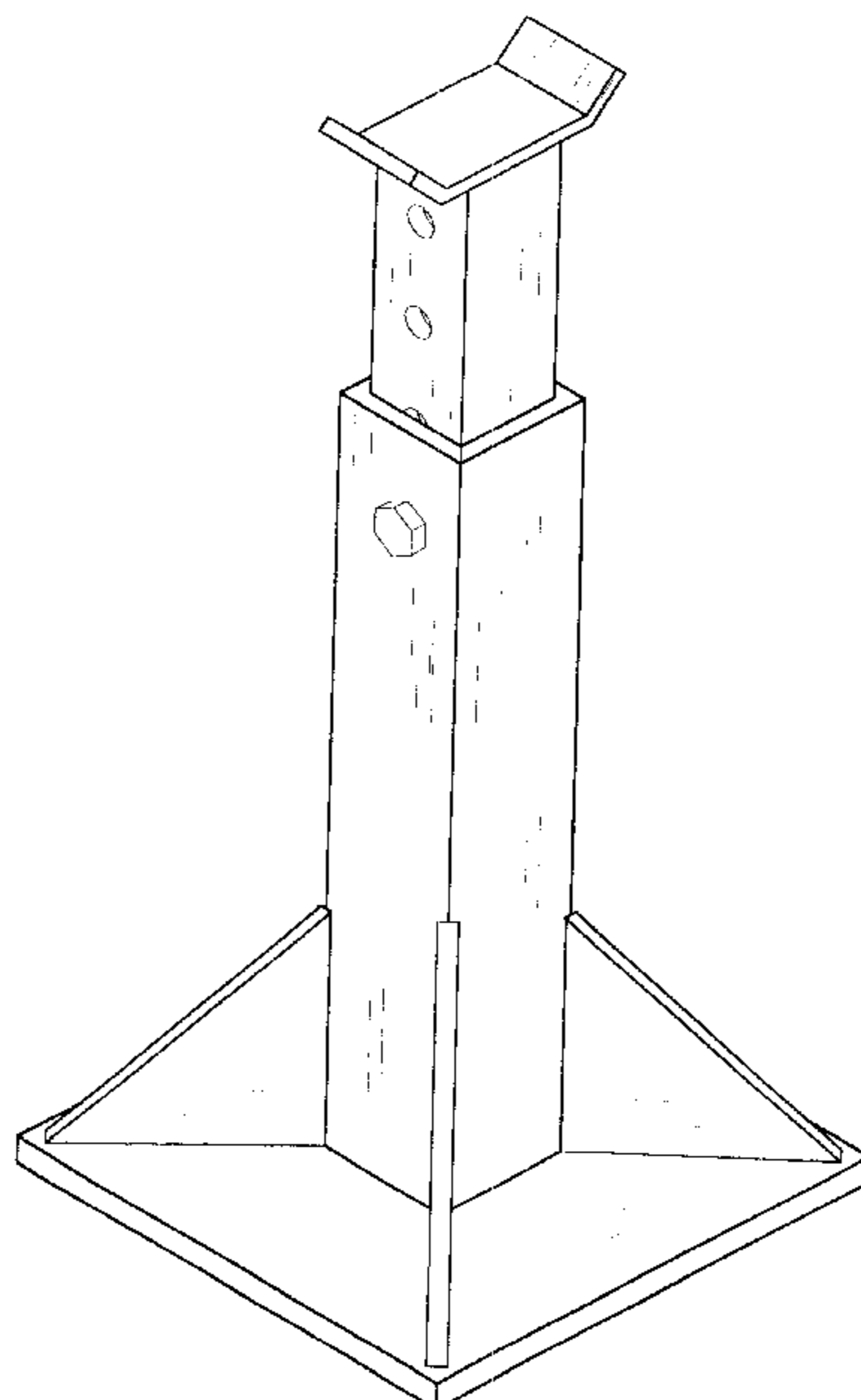
FIG. 3 is a top plan exploded view of the jack stand of FIG. 1;

FIG. 4 is a bottom plan exploded view of the jack stand of FIG. 1; and,

FIG. 5 is a top, front, right side perspective view of the jack stand of FIG. 1 in an assembled position.

The inside of the hollow, square pieces visible in FIGS. 3 and 4 are plain and unornamental and form no part of the claimed design.

1 Claim, 5 Drawing Sheets



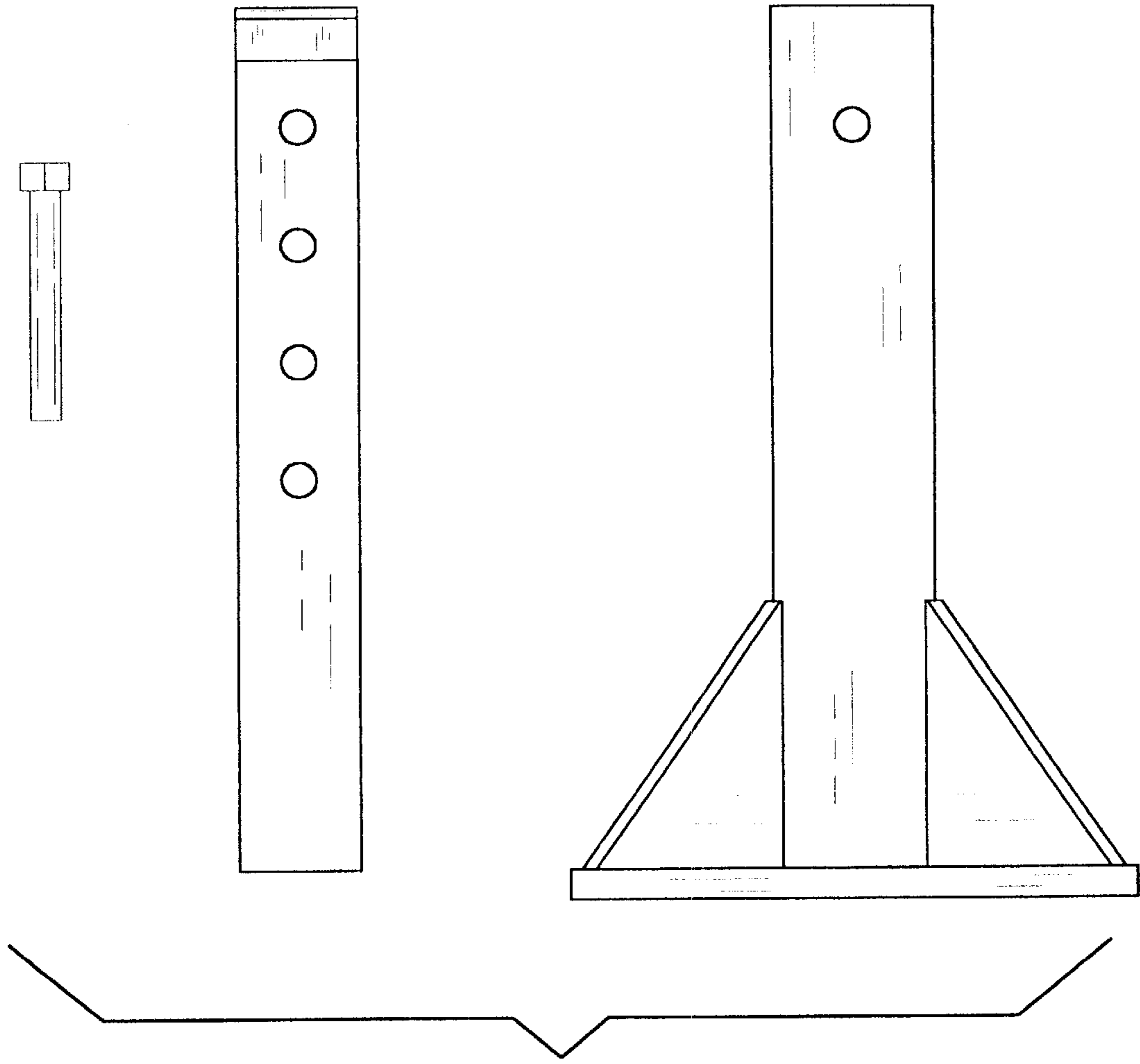


FIG. 1

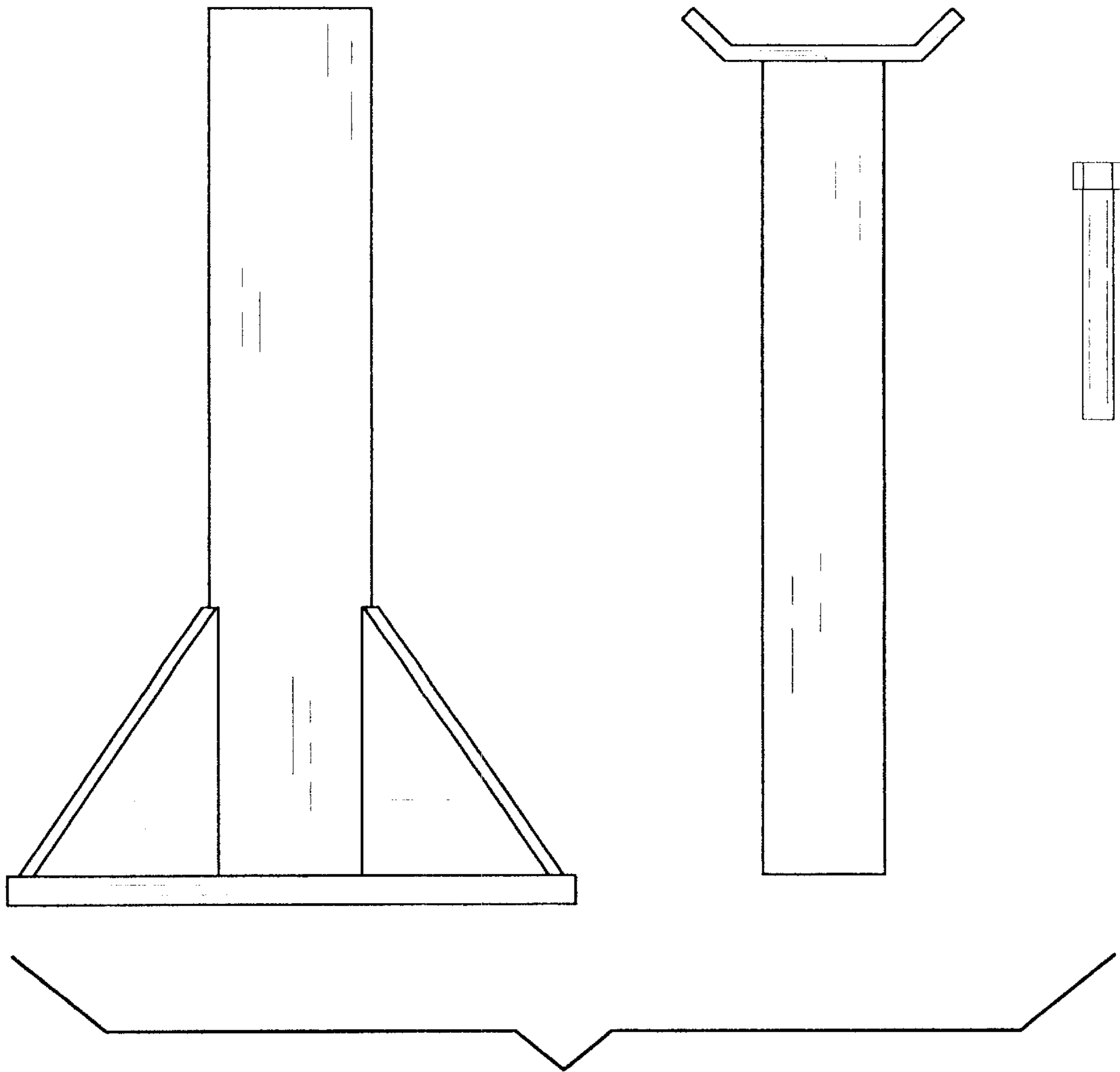


FIG. 2

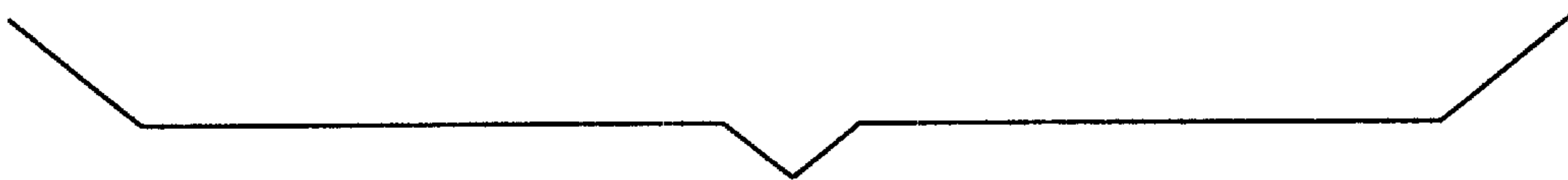
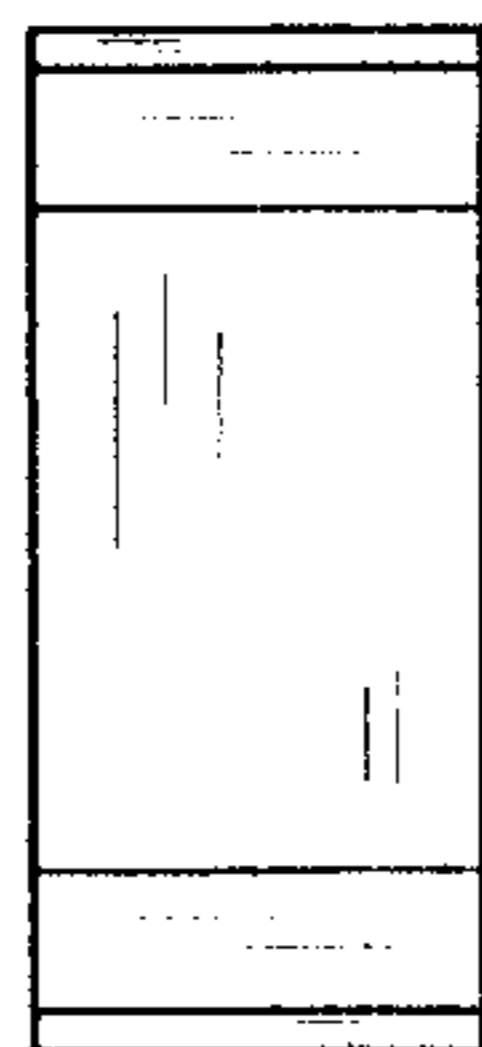
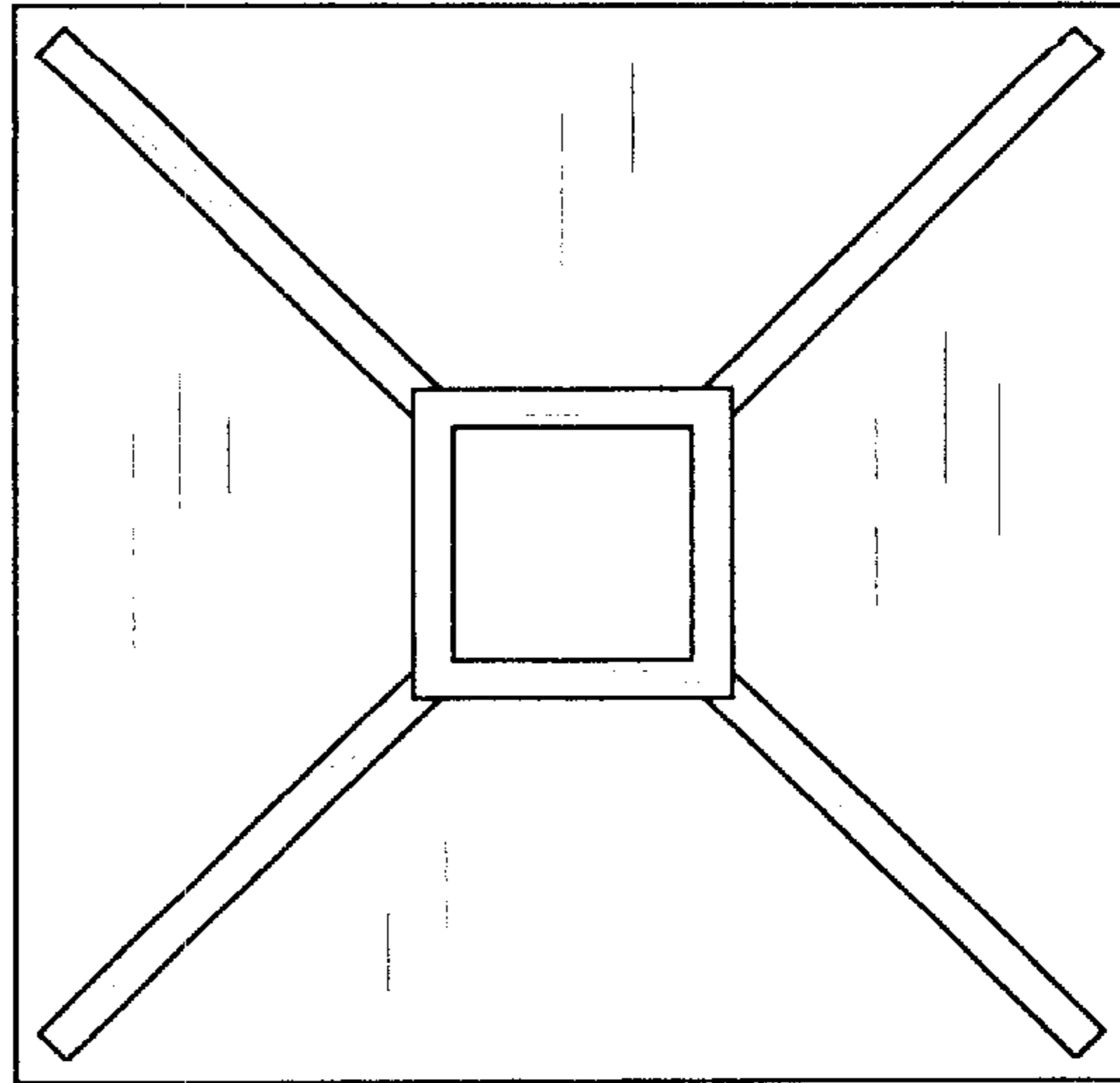


FIG. 3

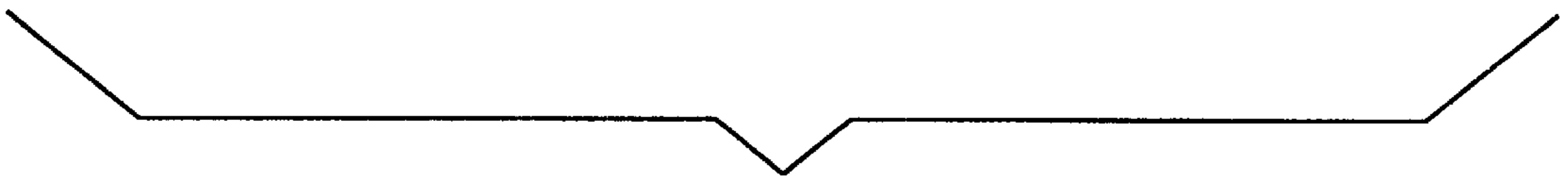
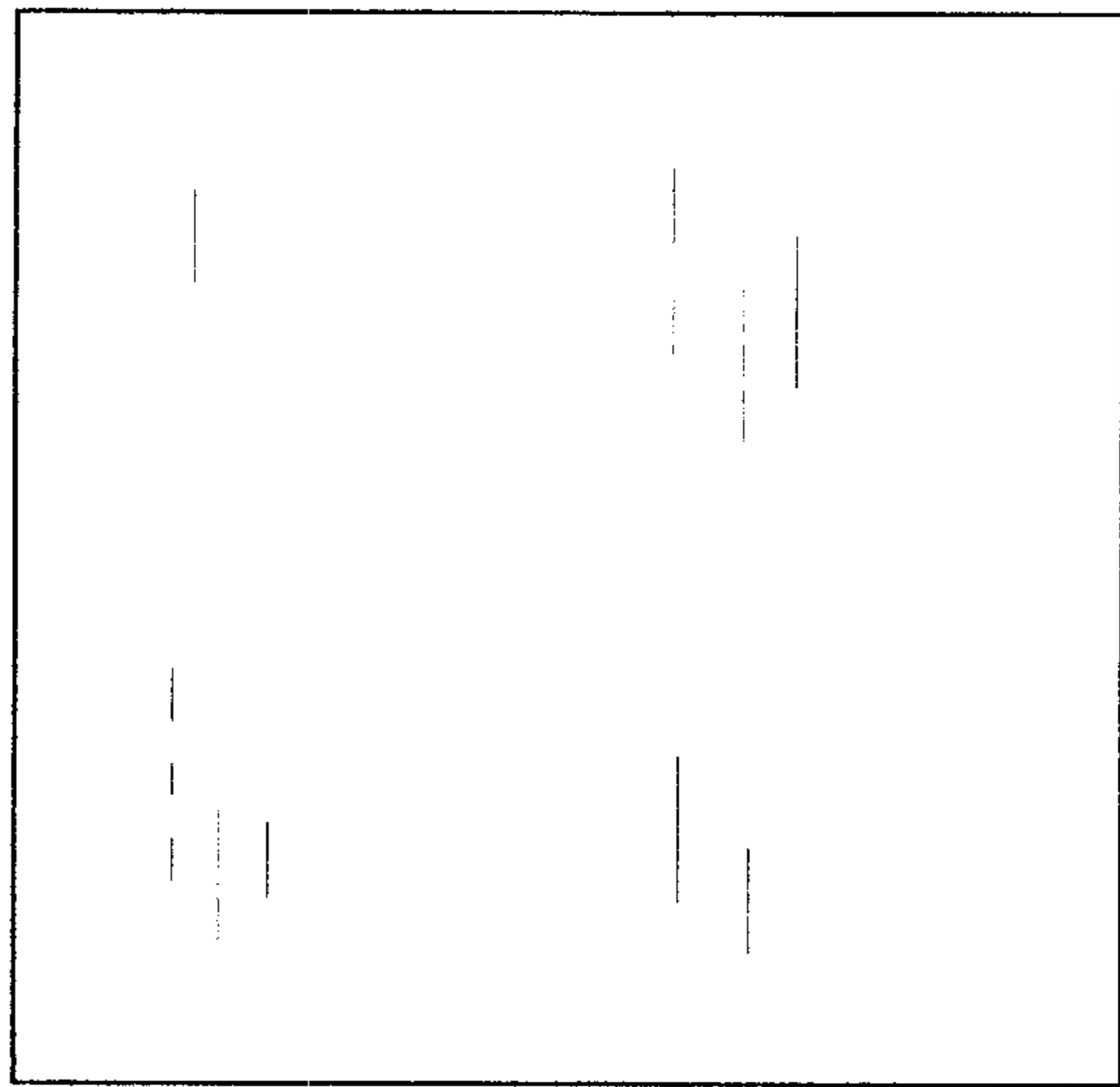
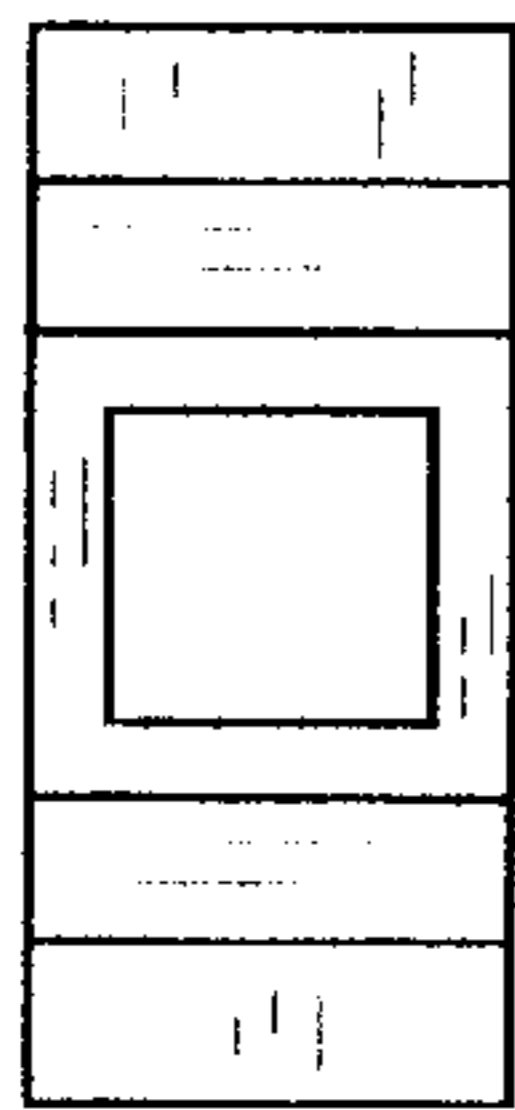


FIG. 4

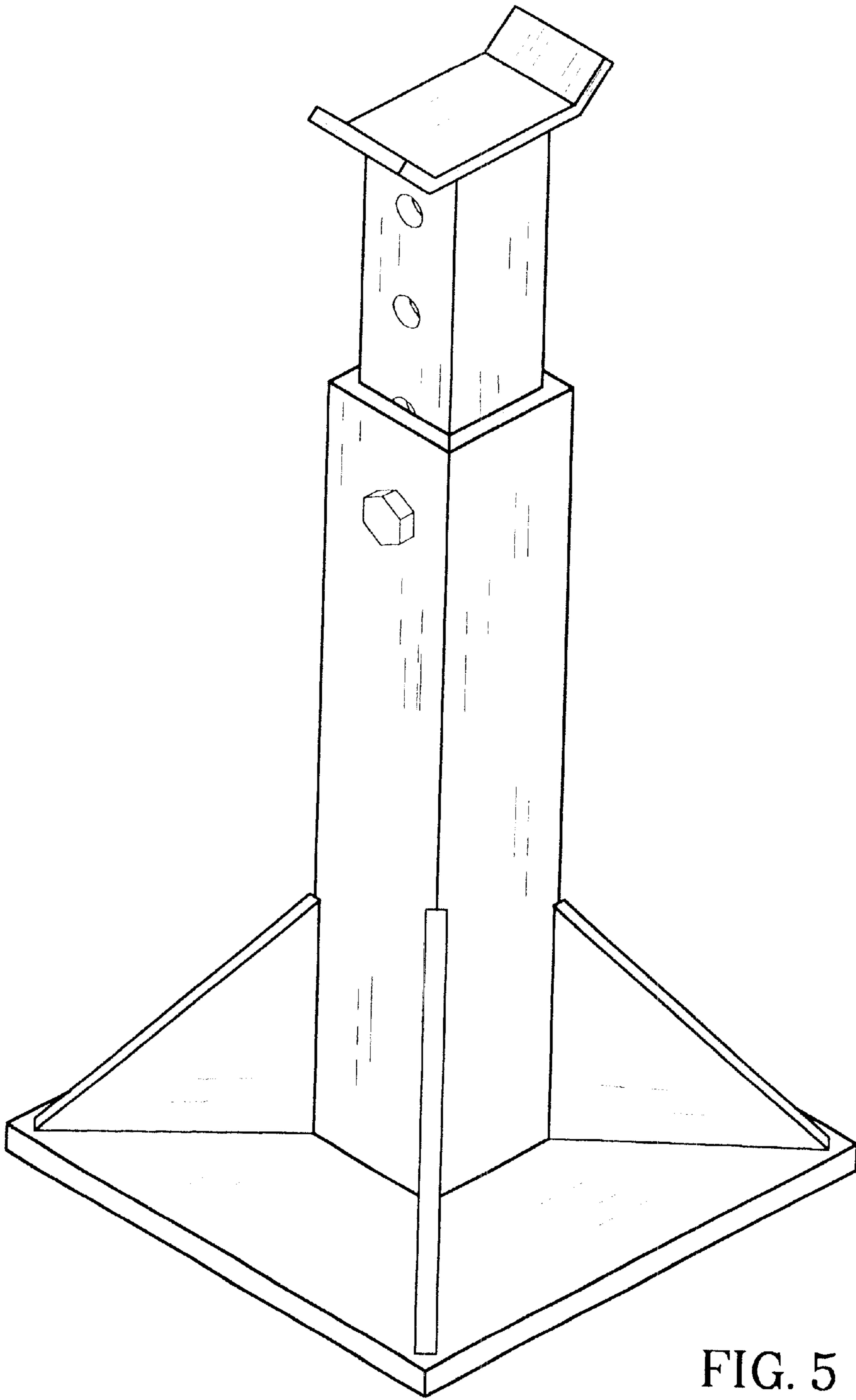


FIG. 5