



US00D467698S

(12) **United States Design Patent**
Holbrook

(10) **Patent No.:** **US D467,698 S**

(45) **Date of Patent:** **** Dec. 24, 2002**

(54) **GRIDDLE LAYOUT FOR PORTABLE CART**

(76) Inventor: **Troy A. Holbrook**, 2749 E. Parleys Way, Suite 100, Salt Lake City, UT (US) 84109

(**) Term: **14 Years**

(21) Appl. No.: **29/156,842**

(22) Filed: **Mar. 8, 2002**

Related U.S. Application Data

(63) Continuation-in-part of application No. 29/131,682, filed on Oct. 27, 2000, now Pat. No. Des. 458,075.

(51) **LOC (7) Cl.** **12-02**

(52) **U.S. Cl.** **D34/27; D7/402**

(58) **Field of Search** D7/363, 364, 402, D7/406; D34/14, 27; D6/476; 219/450.1, 451.1, 452.11; 108/25; 280/727, 926; 224/401

(56) **References Cited**

U.S. PATENT DOCUMENTS

D176,627 S * 1/1956 Nash

D185,939 S	*	8/1959	Frick	
4,087,126 A	*	5/1978	Wynn	224/401
4,437,714 A	*	3/1984	Struck	108/25
D355,948 S	*	2/1995	Wu	D34/27
5,427,292 A	*	6/1995	Rousch	108/25
6,012,788 A	*	1/2000	Marschand et al.	108/25

* cited by examiner

Primary Examiner—B. J. Bullock

(74) *Attorney, Agent, or Firm*—K. S. Cornaby

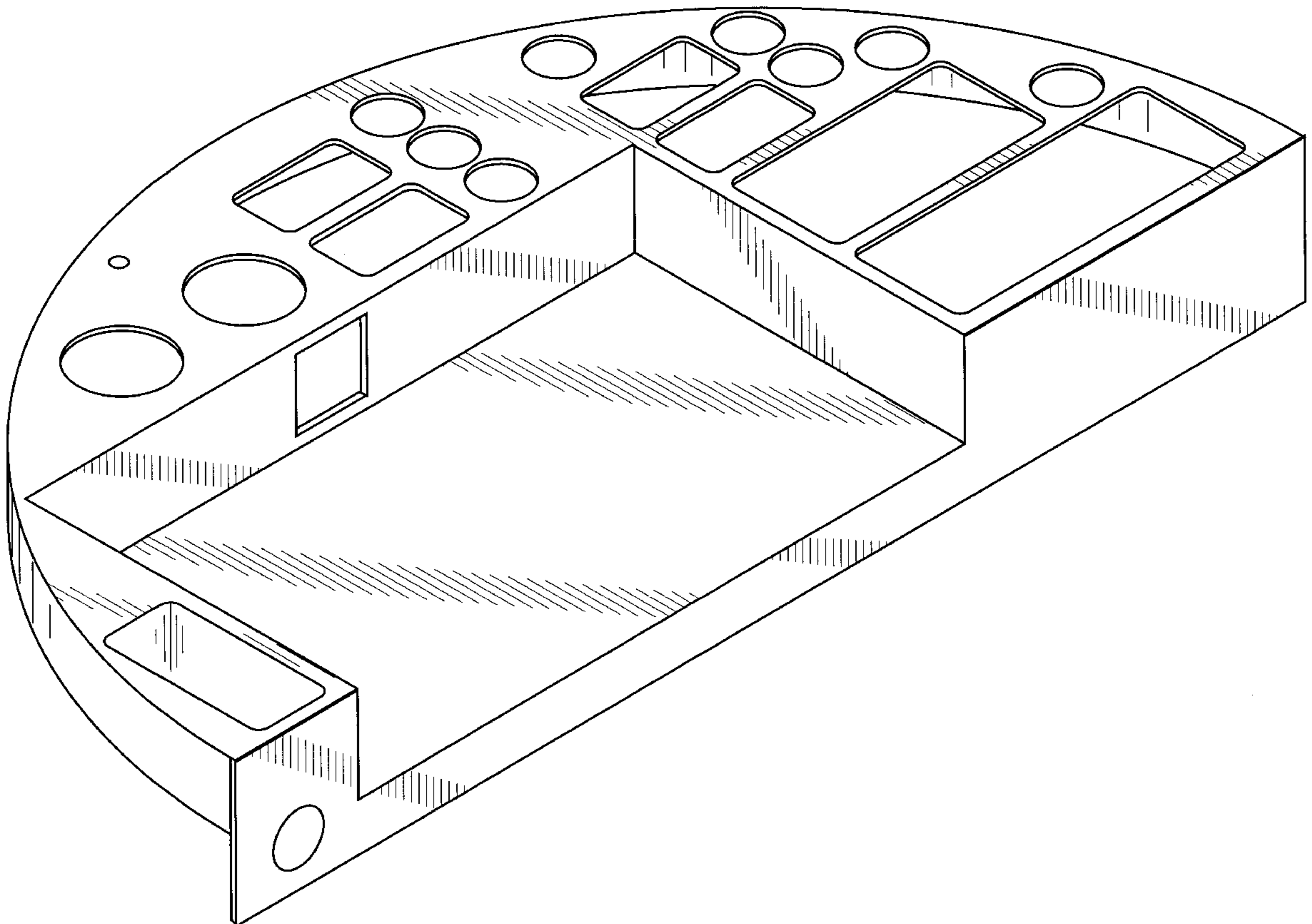
(57) **CLAIM**

The ornamental design for a griddle layout for portable cart, as shown.

DESCRIPTION

FIG. 1 is a perspective view taken from the top, front and left side of a layout showing my new design; FIG. 2 is a top plan view thereof; FIG. 3 is a front elevational view thereof; FIG. 4 is a rear elevational view thereof; FIG. 5 is a right elevational view thereof; and, FIG. 6 is a left elevational view thereof.

1 Claim, 3 Drawing Sheets



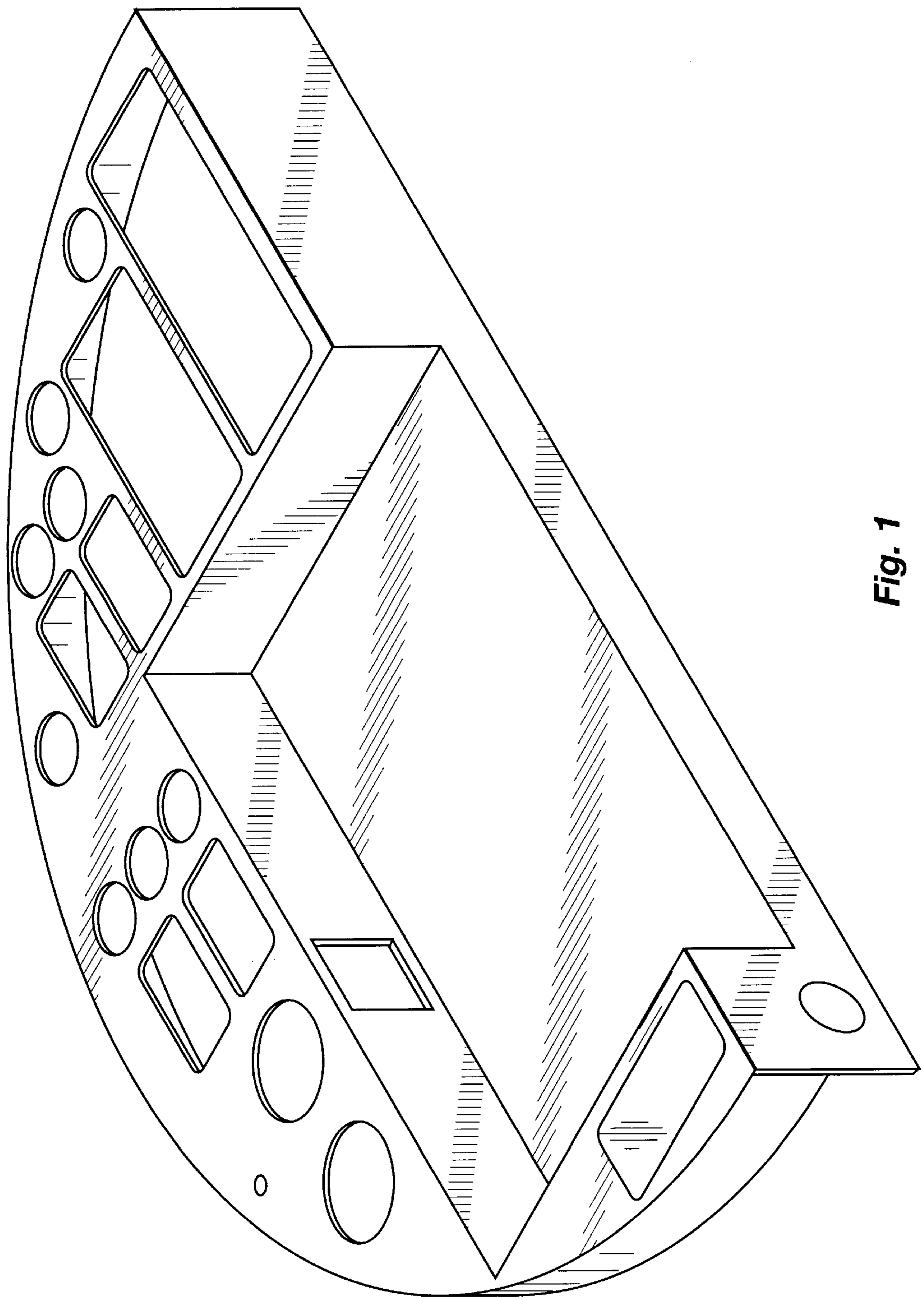


Fig. 1

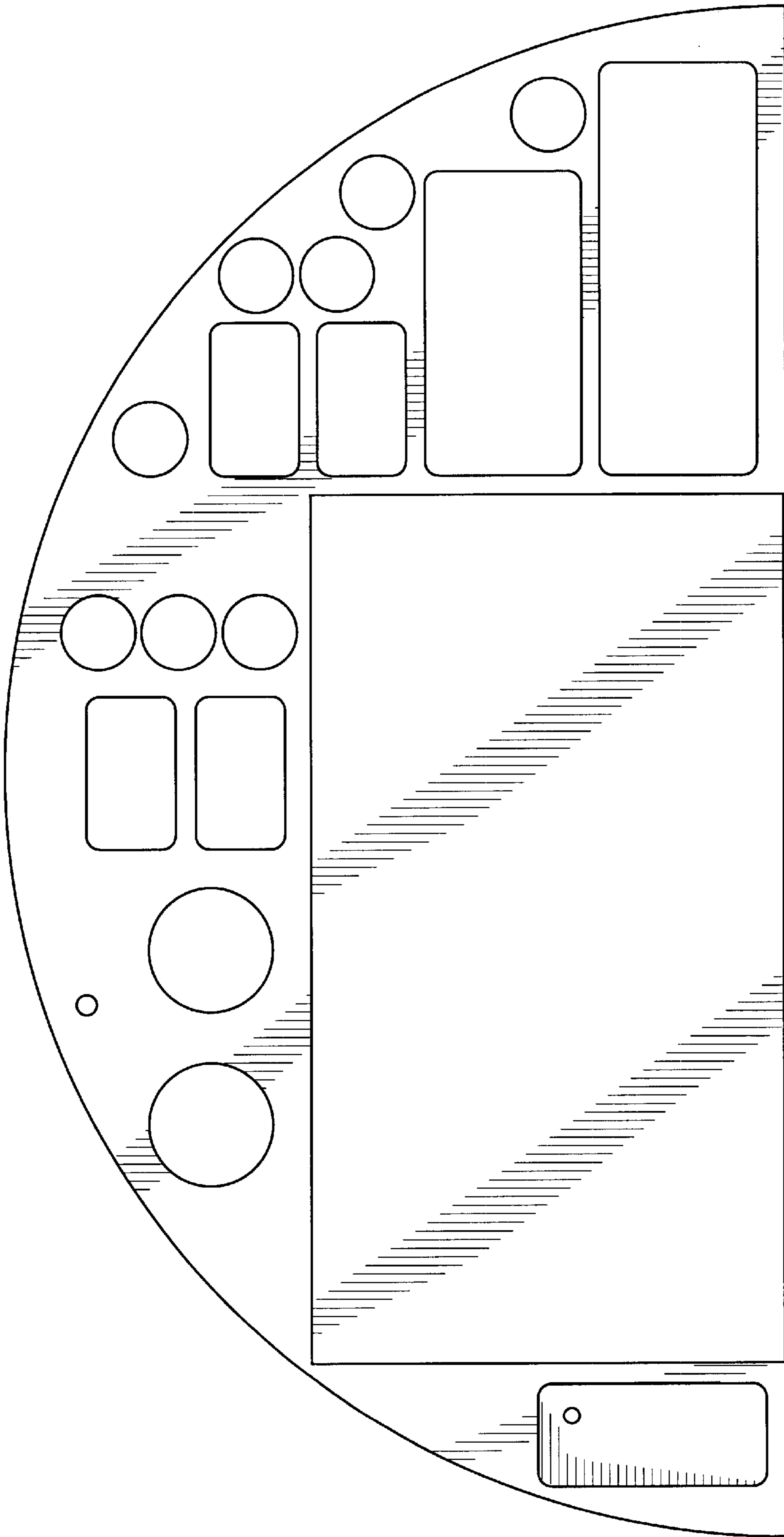


Fig. 2

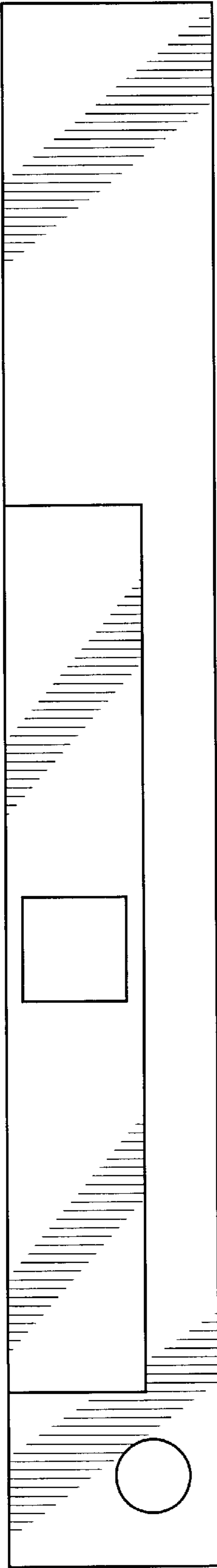


Fig. 3

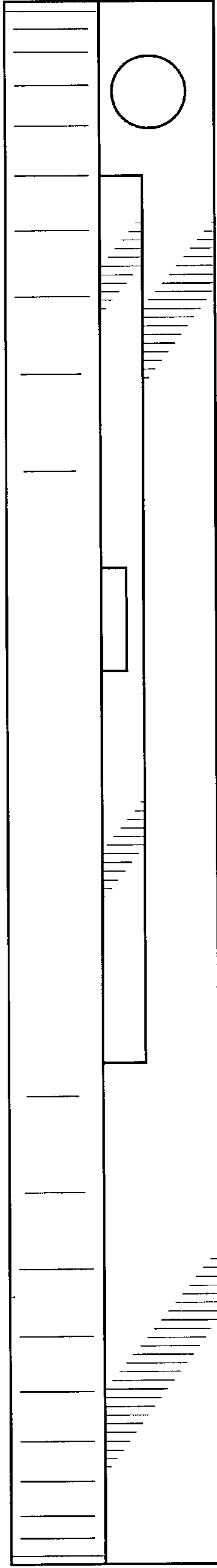


Fig. 4

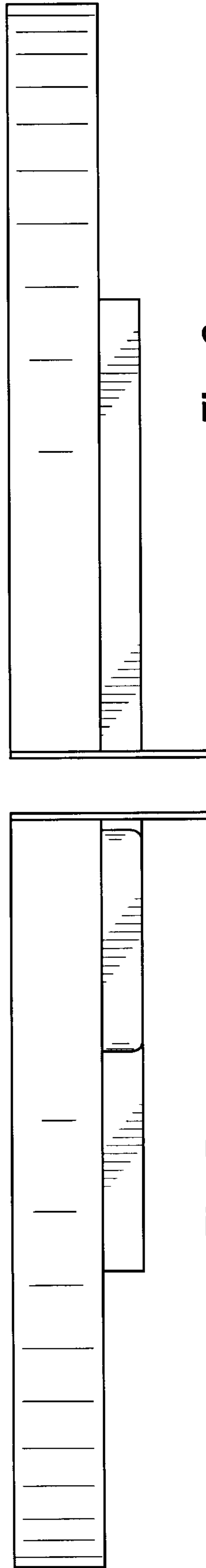


Fig. 5

Fig. 6