



US00D467695S

(12) **United States Design Patent**
Pacelli et al.

(10) **Patent No.:** **US D467,695 S**

(45) **Date of Patent:** **** Dec. 24, 2002**

(54) **TABLETOP REFUSE CONTAINER**

(76) Inventors: **Joseph Pacelli**, 1000 El Camino Real,
Boca Raton, FL (US) 33432; **Janet S. Amis**, 133 Coconut Palm Rd., Boca
Raton, FL (US) 33432; **Debra Elmore**,
96 N. Lake Dr., Hypoluxo, FL (US)
33462

(**) Term: **14 Years**

(21) Appl. No.: **29/148,966**

(22) Filed: **Feb. 11, 2002**

(51) **LOC (7) Cl.** **09-09**

(52) **U.S. Cl.** **D34/7**

(58) **Field of Search** D34/1, 5, 6, 7,
D34/10; 220/908, 909, 910, 911; D6/432,
433, 443, 440

(56) **References Cited**

U.S. PATENT DOCUMENTS

- D5,271 S * 9/1871 Wiley D6/432
- D59,862 S * 11/1921 Paletou D6/432
- D203,630 S * 2/1966 Wright D34/7
- D220,452 S * 4/1971 Norquest D34/1

- D292,037 S * 9/1987 Hanifl D34/7
- D299,879 S * 2/1989 Pickering D34/1
- D300,973 S * 5/1989 Copeland D34/7
- D318,164 S * 7/1991 Marzocchi, Jr. D34/7
- D327,767 S * 7/1992 Gilbert, Jr. D6/443
- D351,701 S * 10/1994 Sawatsky D34/7
- D355,744 S * 2/1995 Licari D34/7

* cited by examiner

Primary Examiner—Cynthia E. Ramirez
(74) *Attorney, Agent, or Firm*—Alfred E. Miller

(57) **CLAIM**

The ornamental design for a tabletop refuse container, as shown and described.

DESCRIPTION

FIG. 1 is perspective view of a tabletop refuse container;
FIG. 2 is a right side elevation;
FIG. 3 is a top view;
FIG. 4 is a left side view;
FIG. 5 is a top view;
FIG. 6 is a rear elevation; and,
FIG. 7 is a bottom plan view.

1 Claim, 3 Drawing Sheets

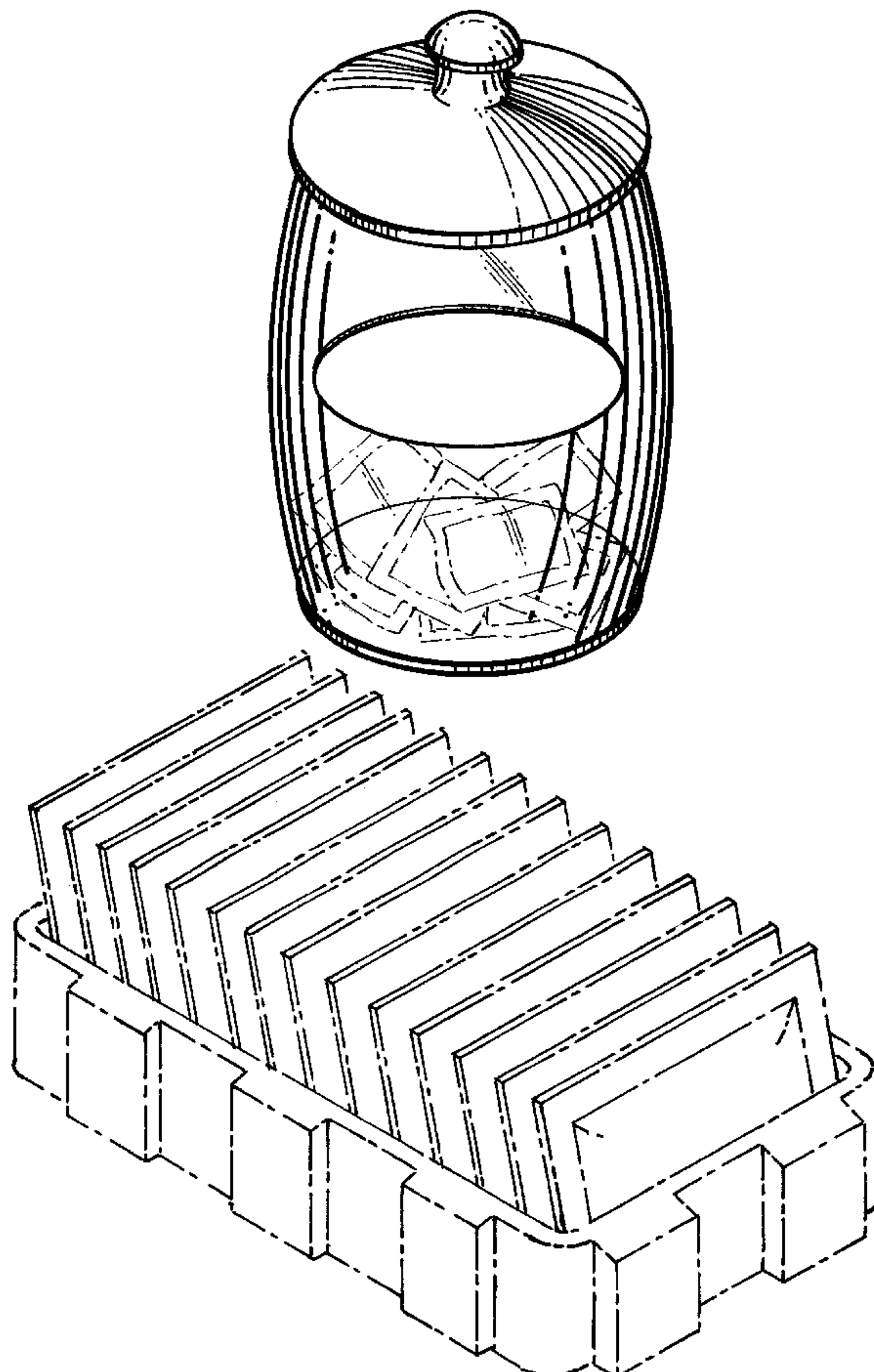
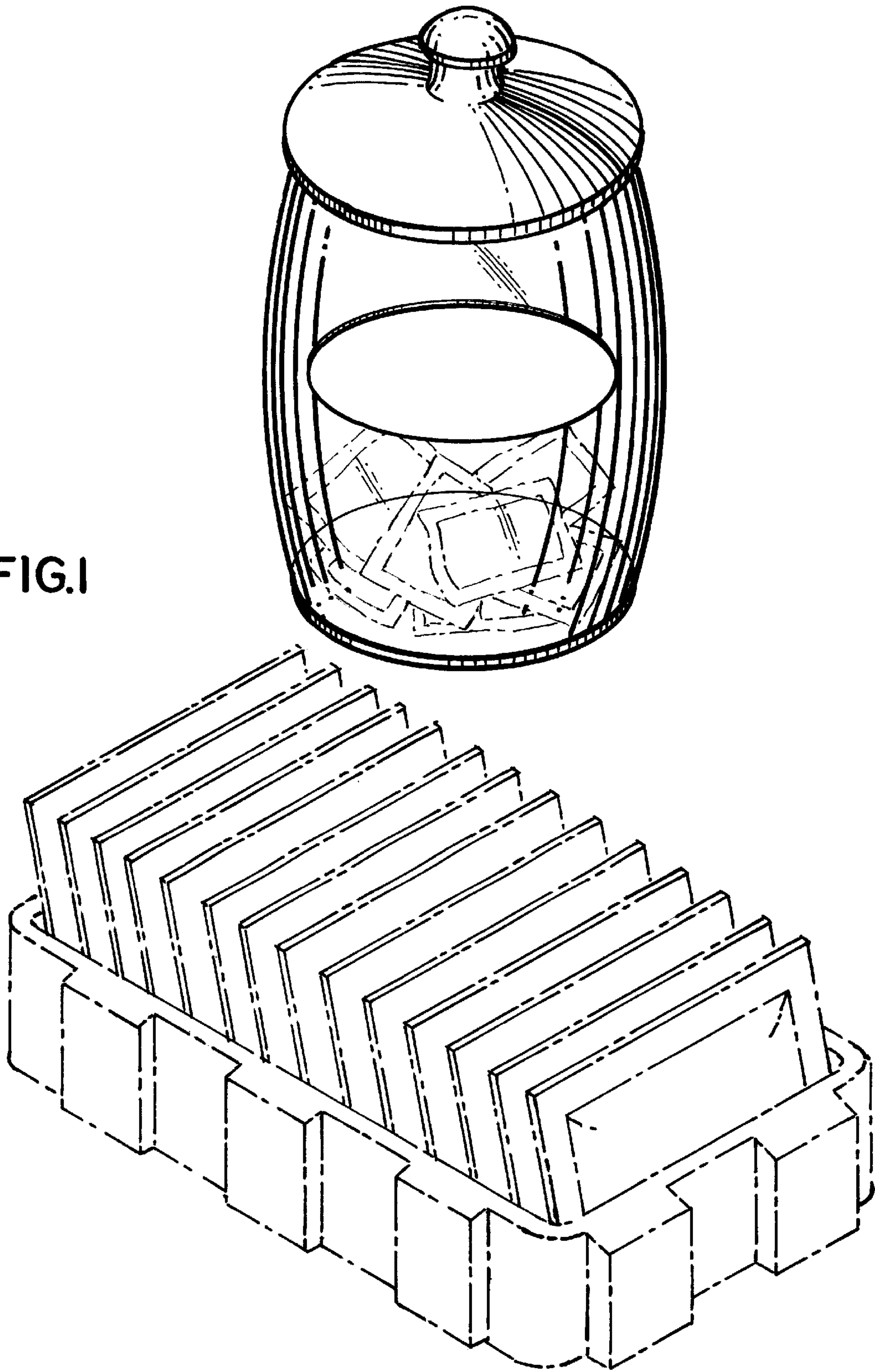


FIG. 1



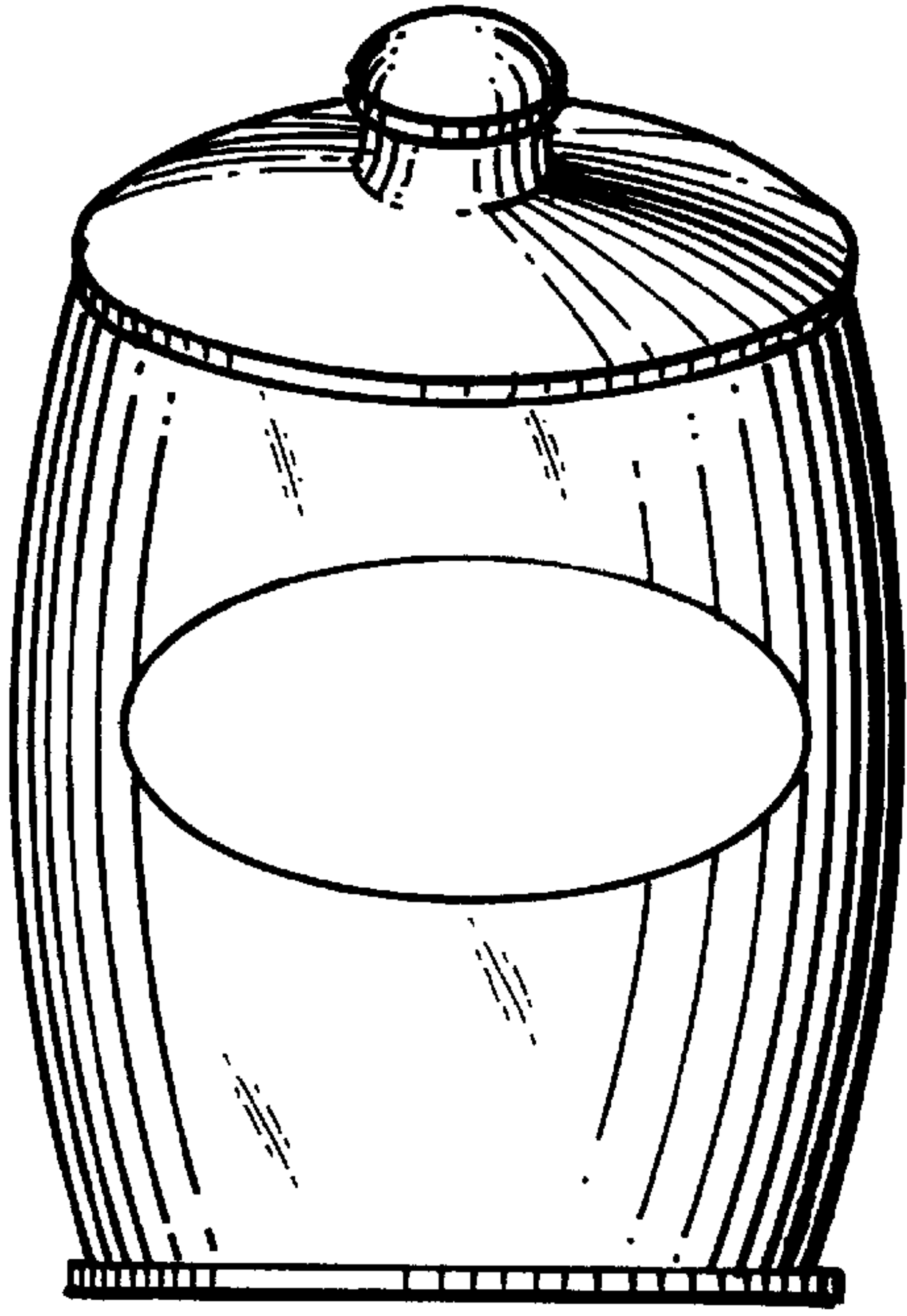


FIG. 2

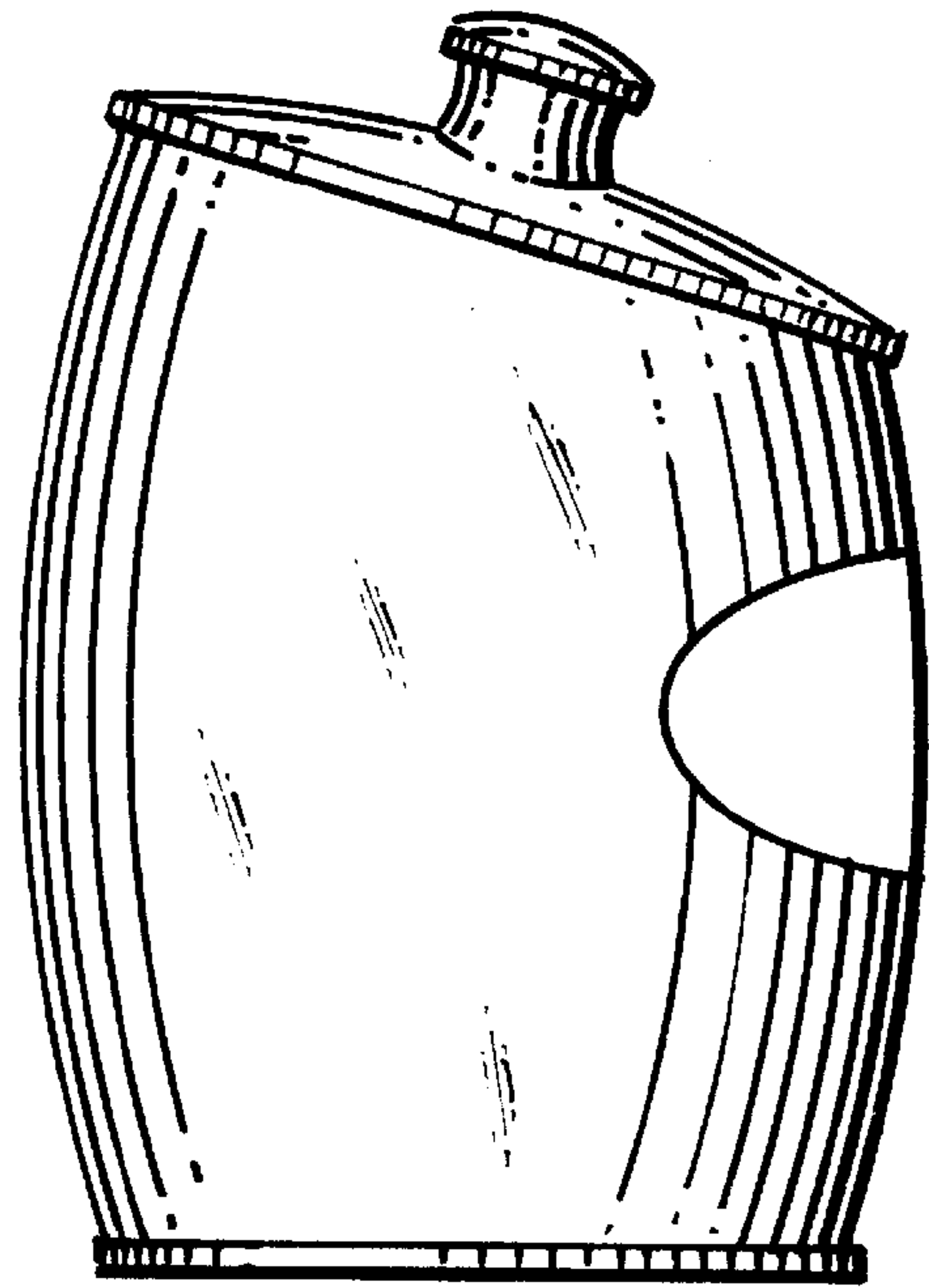


FIG. 4

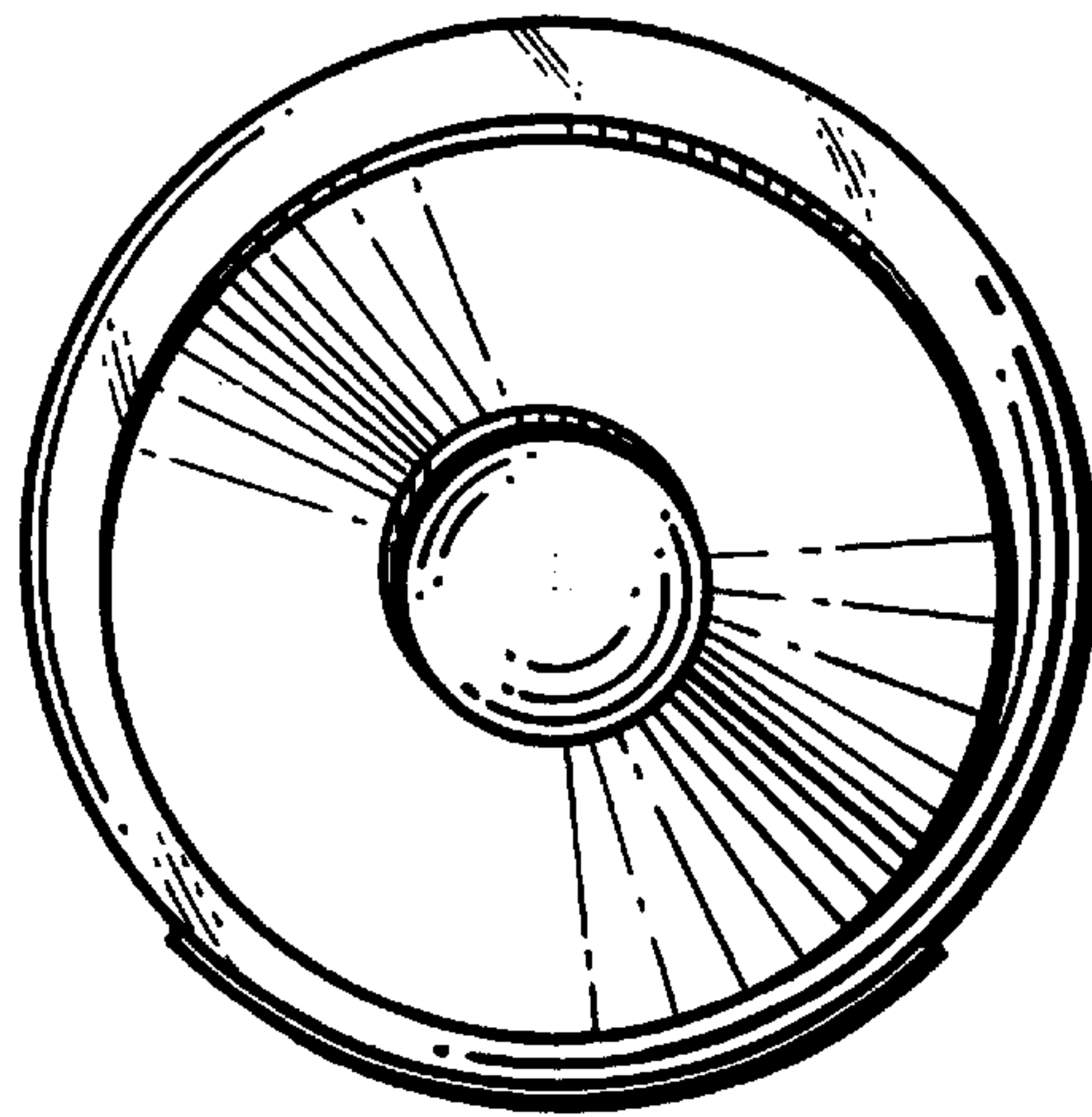


FIG. 3

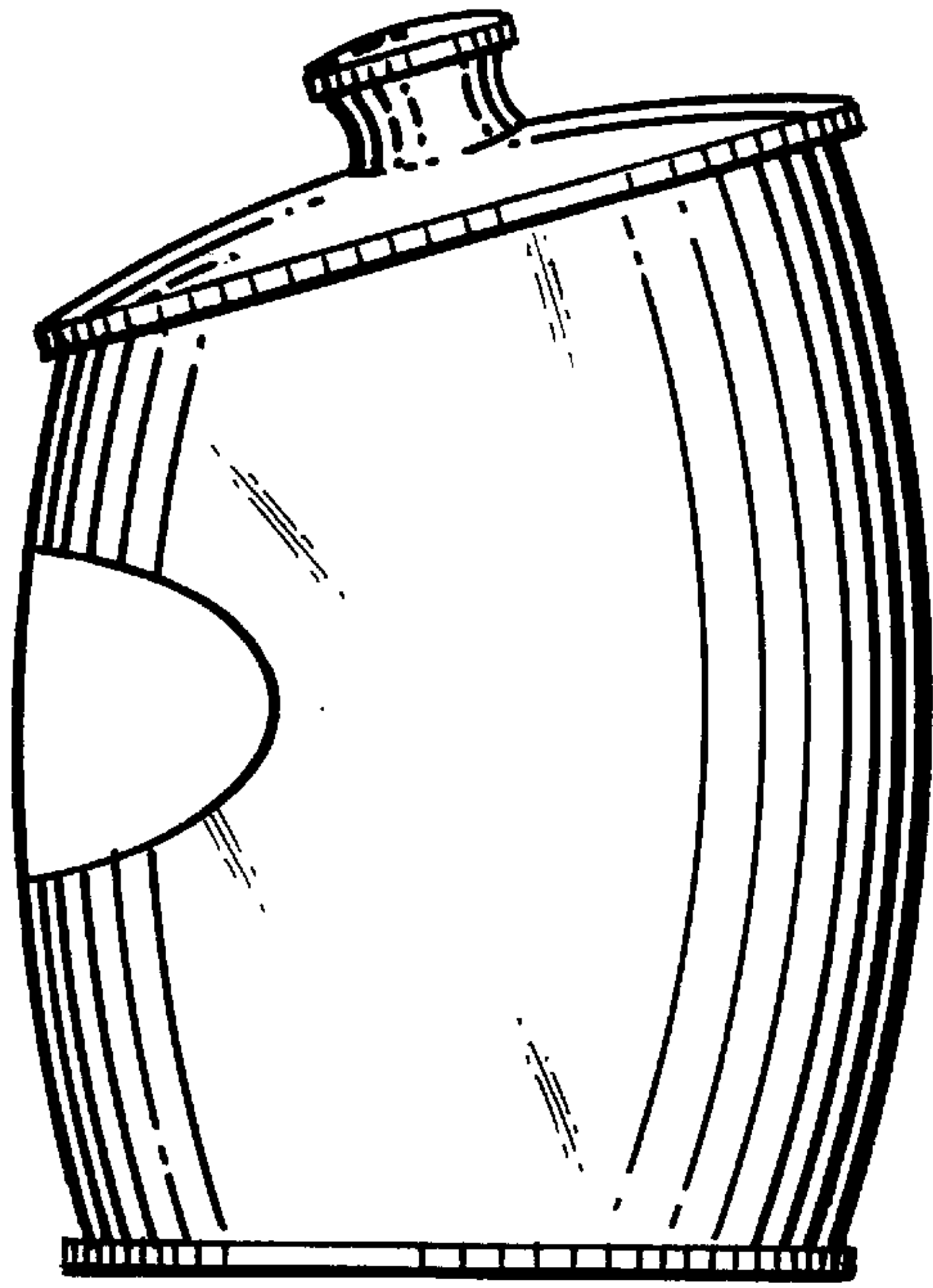


FIG. 5

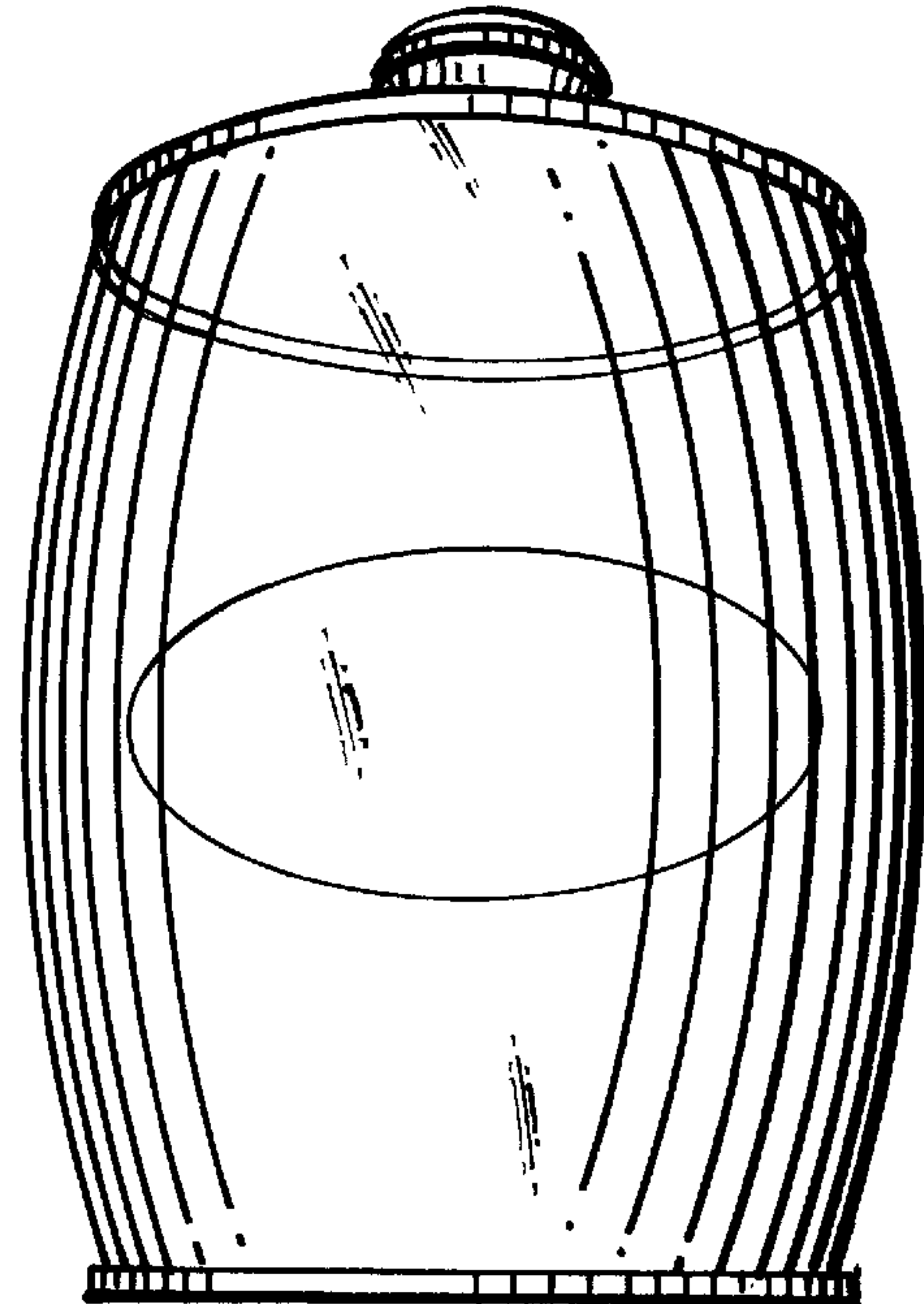


FIG. 6

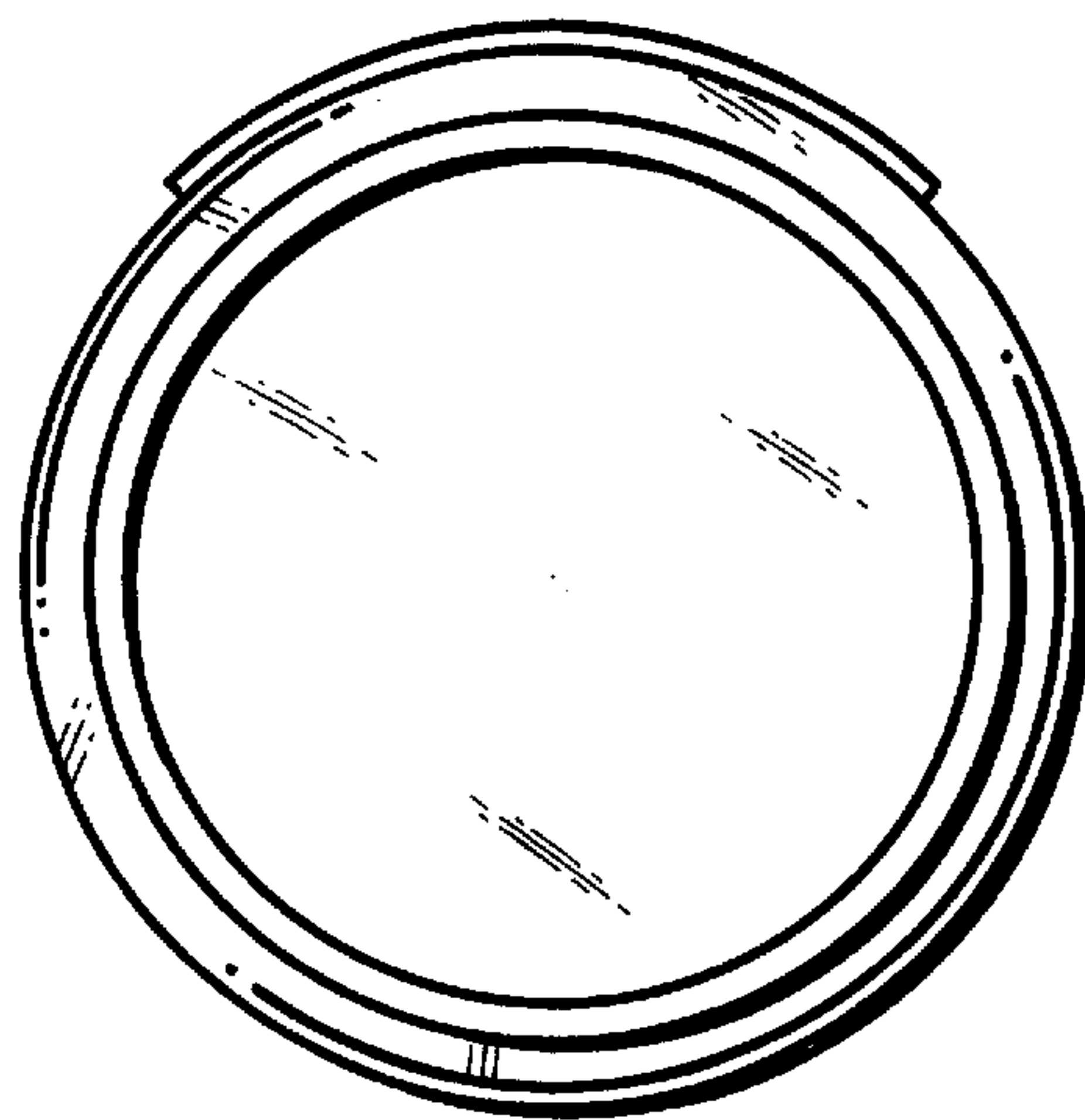


FIG. 7