



US00D467694S

(12) **United States Design Patent**
Kitts

(10) **Patent No.:** **US D467,694 S**

(45) **Date of Patent:** **** Dec. 24, 2002**

(54) **VACUUM CLEANER WITH ATTACHED ACCESSORIES**

(75) **Inventor:** **Keith D. Kitts**, Glenview, IL (US)

(73) **Assignee:** **Koblentz Electrica, S.A. De C.V.**,
Cauautitlan Izcalli (MX)

(**) **Term:** **14 Years**

(21) **Appl. No.:** **29/155,433**

(22) **Filed:** **Feb. 7, 2002**

(51) **LOC (7) Cl.** **15-05**

(52) **U.S. Cl.** **D32/21**

(58) **Field of Search** D32/21, 23-24,
D32/25, 31; 15/321, 320, 323, 327.1-327.2,
327.4, 327.6-327.7, 353, 412

(56) **References Cited**

U.S. PATENT DOCUMENTS

| | | | |
|-------------|----------|-----------------|--------------|
| D144,063 S | 3/1946 | McAllister | |
| D144,529 S | 4/1946 | Walker | |
| D167,002 S | 6/1952 | Russell | |
| D167,003 S | 6/1952 | Russell | |
| 2,639,002 A | 5/1953 | Miller et al. | |
| 3,257,784 A | 6/1966 | Grellsson | |
| D292,336 S | 10/1987 | Kieft et al. | |
| D325,453 S | 4/1992 | Tsuge | |
| D335,555 S | 5/1993 | Reath | |
| D341,009 S | 11/1993 | Berfield et al. | |
| D343,934 S | 2/1994 | Meelen | |
| D344,377 S | * 2/1994 | Thomas | D32/23 |
| 5,301,386 A | * 4/1994 | Thomas et al. | 15/321 |

| | | | |
|-------------|-----------|-----------------|----------------|
| D352,146 S | * 11/1994 | Wulff | D32/24 |
| D383,573 S | * 9/1997 | Saunders | D32/21 |
| D386,842 S | 11/1997 | Hoshino et al. | |
| D389,962 S | 1/1998 | Berfield et al. | |
| 5,784,753 A | * 7/1998 | Kaczmarz et al. | 15/319 |
| 5,996,170 A | 12/1999 | Gierer et al. | |
| D418,643 S | 1/2000 | Hoshino | |
| D420,474 S | 2/2000 | Auburn | |
| D422,763 S | * 4/2000 | Tsuda | D32/21 |
| 6,101,669 A | * 8/2000 | Martin et al. | 15/327.2 |
| 6,108,860 A | 8/2000 | Crouser et al. | |
| D432,746 S | 10/2000 | Frey | |
| D446,612 S | * 8/2001 | Kohler | D32/21 |
| D452,594 S | * 12/2001 | Rosa | D32/21 |

* cited by examiner

Primary Examiner—Ruth McInroy

(74) *Attorney, Agent, or Firm*—Thomas J. Ring; Wildman, Harrold, Allen & Dixon

(57) **CLAIM**

The ornamental design for a vacuum cleaner with attached accessories, as shown and described.

DESCRIPTION

FIG. 1 is a perspective view of a vacuum cleaner with attached accessories showing my new design;
FIG. 2 is a top plan view thereof;
FIG. 3 is a side elevational view thereof;
FIG. 4 is a front elevational view thereof;
FIG. 5 is a back elevational view thereof; and,
FIG. 6 is a bottom plan view thereof.

1 Claim, 5 Drawing Sheets

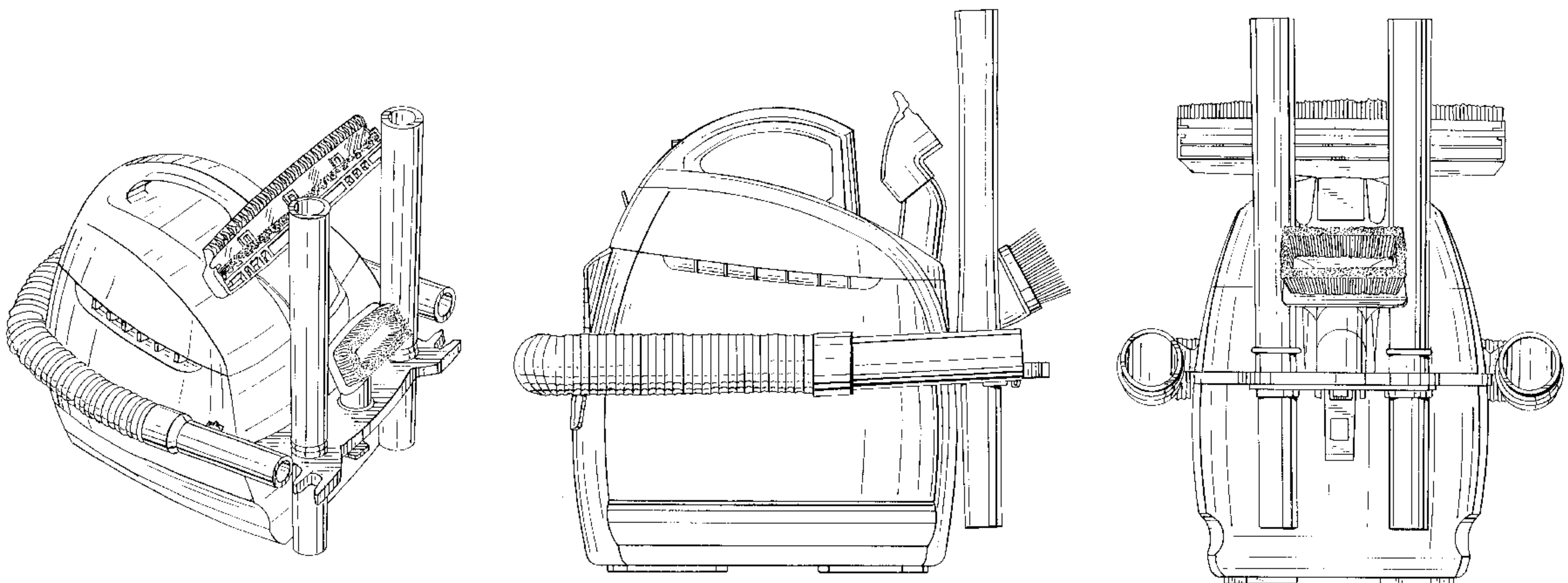


FIG. 1

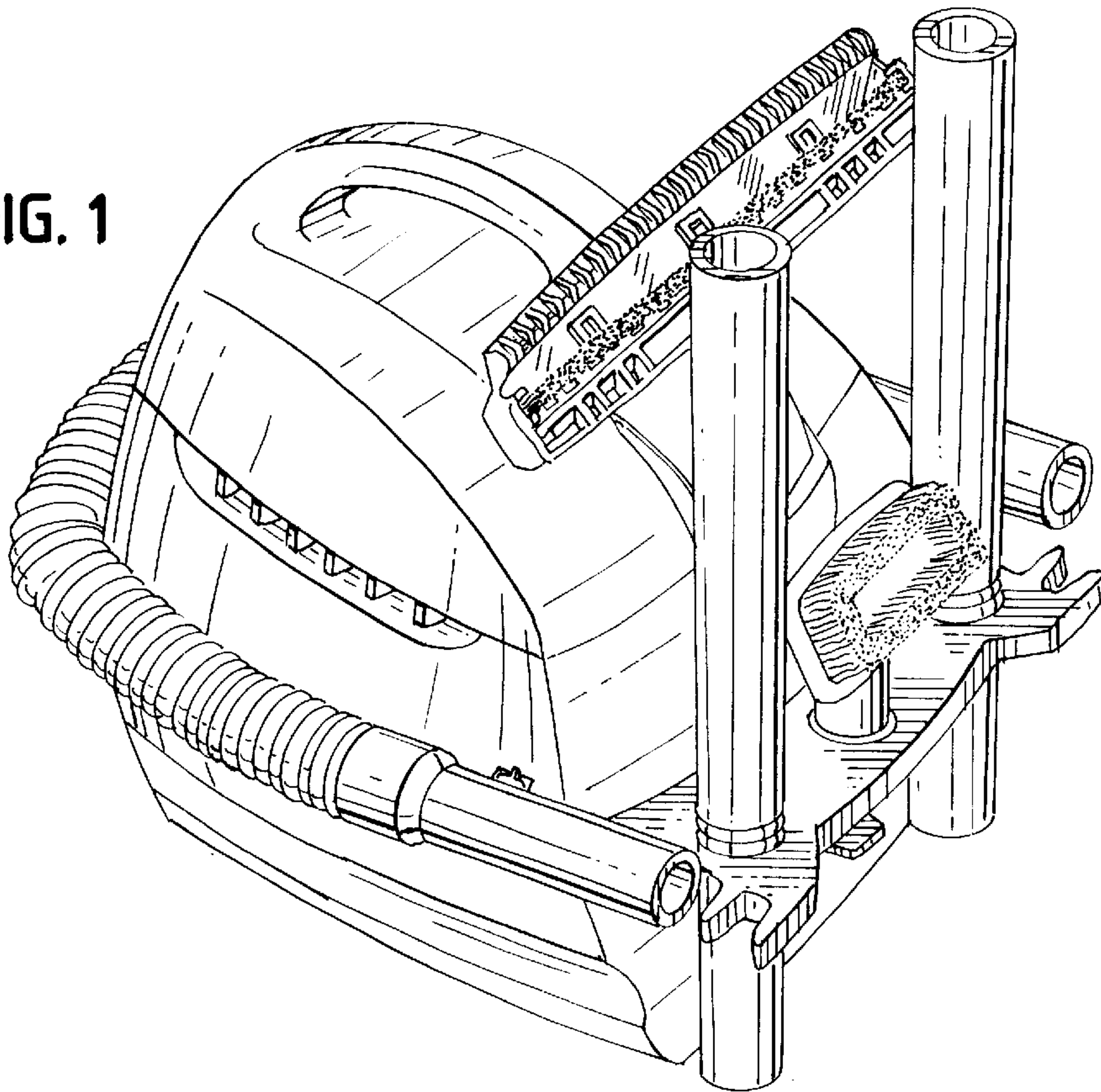


FIG. 2

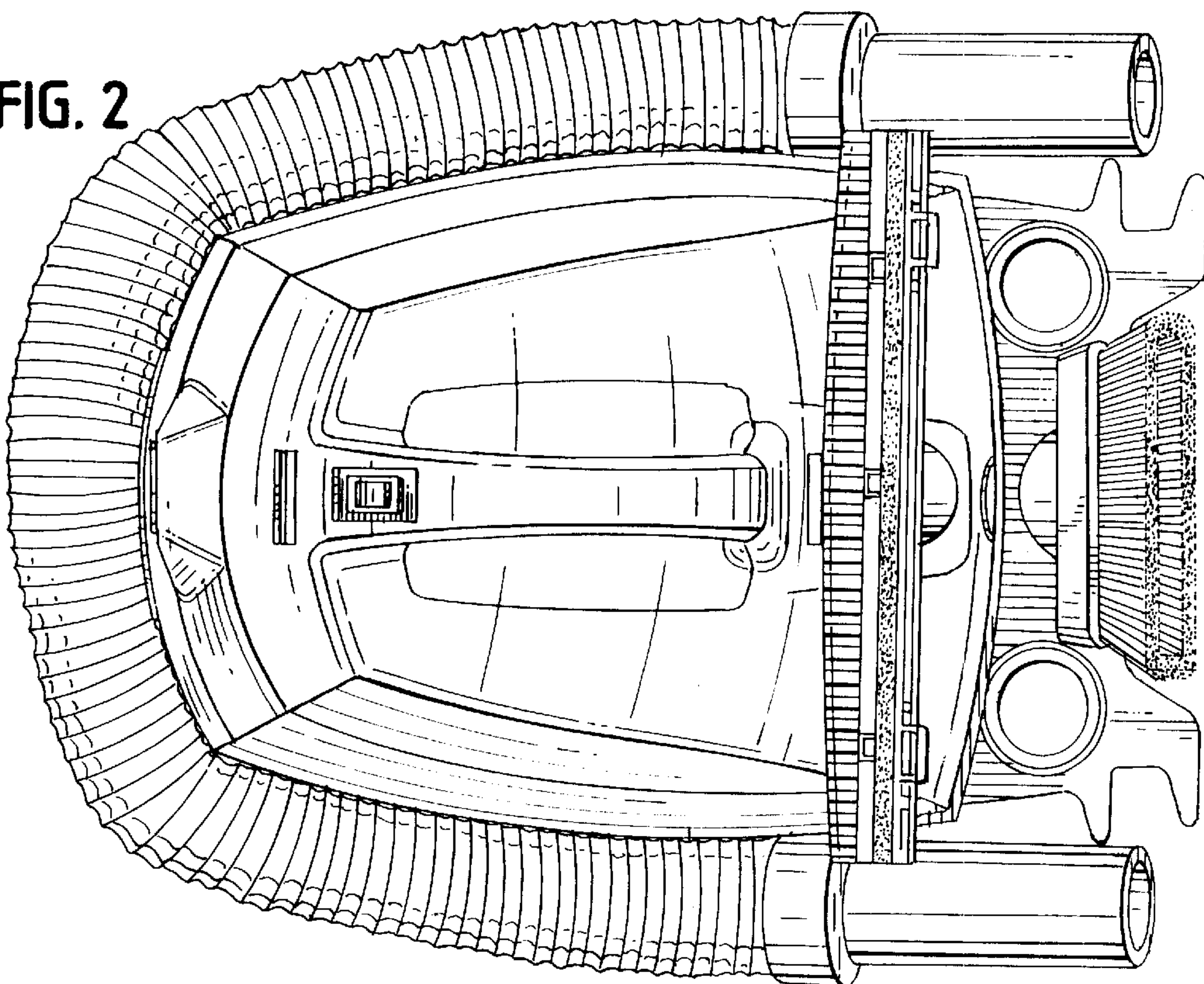


FIG. 3

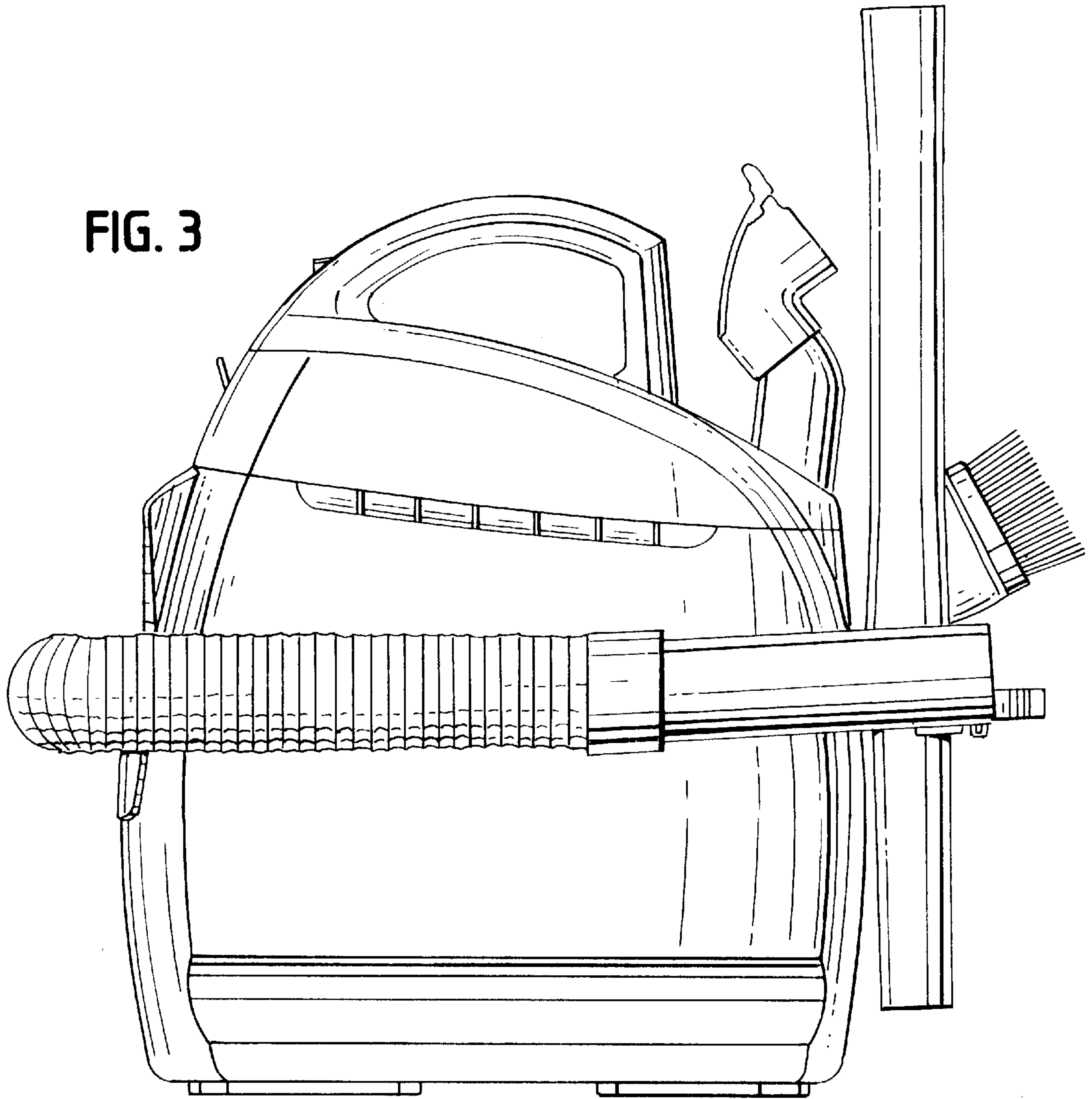


FIG. 4

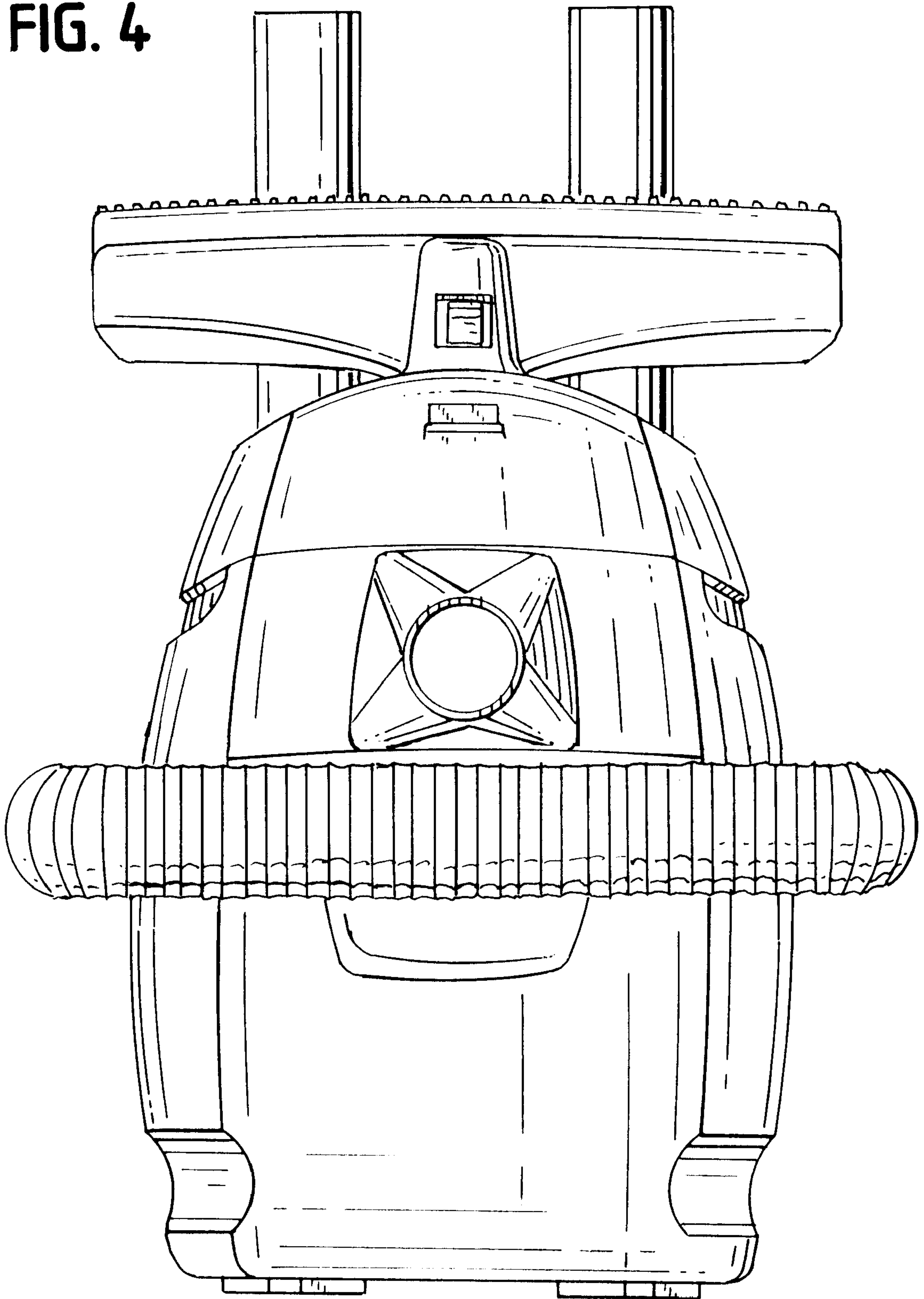


FIG. 5

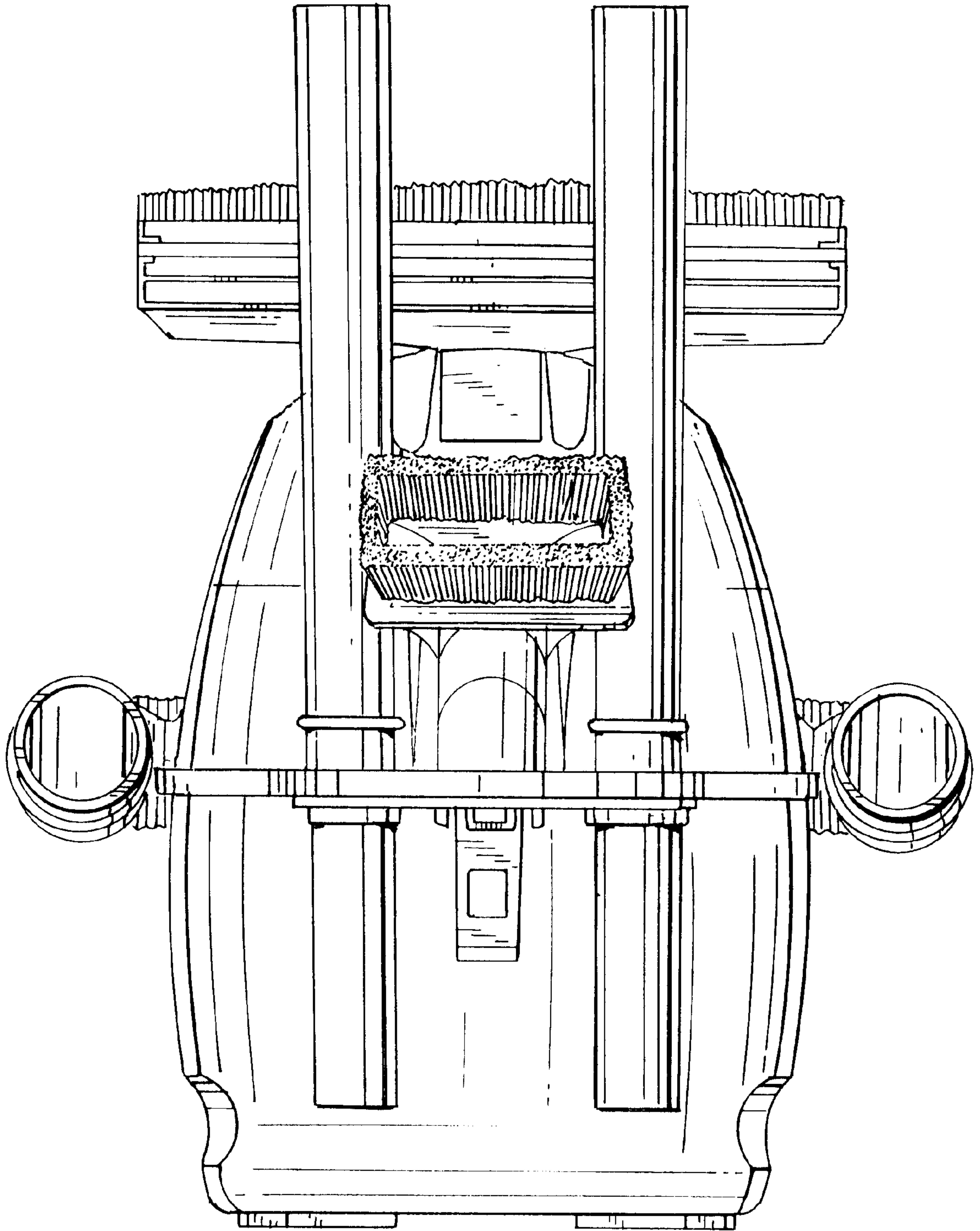


FIG. 6

