



US00D467693S

(12) **United States Design Patent**
Kitts

(10) **Patent No.:** **US D467,693 S**

(45) **Date of Patent:** **** Dec. 24, 2002**

(54) **VACUUM CLEANER**

(75) **Inventor:** **Keith D. Kitts**, Glenview, IL (US)

(73) **Assignee:** **Koblenz Electrica, S.A. de C.V.**,
Cauautitlan Izcalli (MX)

(**) **Term:** **14 Years**

(21) **Appl. No.:** **29/155,432**

(22) **Filed:** **Feb. 7, 2002**

(51) **LOC (7) Cl.** **15-05**

(52) **U.S. Cl.** **D32/21**

(58) **Field of Search** D32/21, 23-24,
D32/25, 31; 15/321, 323, 327.1-327.2,
327.4, 327.6-327.7, 353, 412

(56) **References Cited**

U.S. PATENT DOCUMENTS

D144,063 S	3/1946	McAllister	
D144,529 S	4/1946	Walker	
D167,002 S	6/1952	Russell	
D167,003 S	6/1952	Russell	
2,639,002 A	5/1953	Miller et al.	
3,257,784 A	6/1966	Grellsson	
D292,336 S	10/1987	Kieft et al.	
D325,453 S	4/1992	Tsuge	
D335,555 S	5/1993	Reath	
D341,009 S	11/1993	Berfield et al.	
D343,934 S	2/1994	Meelen	
D344,377 S	* 2/1994	Thomas D32/23
5,301,386 A	* 4/1994	Thomas et al. 15/321
D352,146 S	* 11/1994	Wulff D32/24

D383,573 S	* 9/1997	Saunders D32/21
D386,842 S	11/1997	Hoshino et al.	
D389,962 S	1/1998	Berfield et al.	
5,784,753 A	* 7/1998	Kaczmarz et al. 15/319
5,996,170 A	12/1999	Gierer et al.	
D418,643 S	1/2000	Hoshino	
D420,474 S	2/2000	Auburn	
D422,763 S	* 4/2000	Tsuda D32/21
6,101,669 A	* 8/2000	Martin et al. 15/327.2
6,101,699 A	8/2000	Martin et al.	
6,108,860 A	8/2000	Crouser	
D432,746 S	10/2000	Frey	
D446,612 S	* 8/2001	Kohler D32/21
D452,594 S	* 12/2001	Rosa D32/21

* cited by examiner

Primary Examiner—Ruth McInroy

(74) *Attorney, Agent, or Firm*—Thomas J. Ring; Wildman,
Harrold, Allen & Dixon

(57) **CLAIM**

The ornamental design for a vacuum cleaner, as shown and described.

DESCRIPTION

FIG. 1 is a perspective view of a vacuum cleaner showing my new design;
FIG. 2 is a bottom plan view thereof;
FIG. 3 is a top plan view thereof;
FIG. 4 is a side elevational view thereof;
FIG. 5 is a front elevational view thereof; and,
FIG. 6 is a back elevational view thereof.

1 Claim, 3 Drawing Sheets

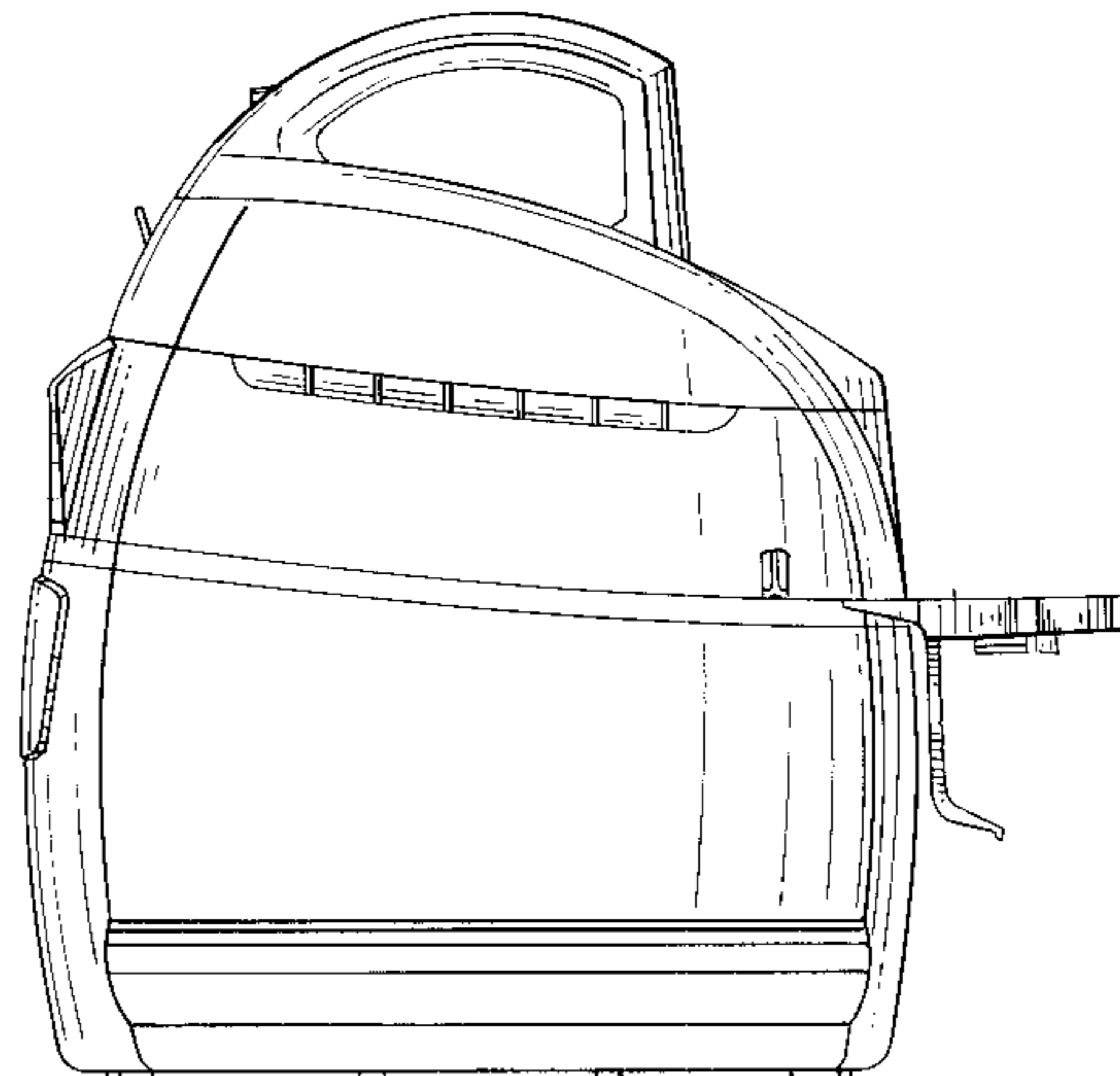
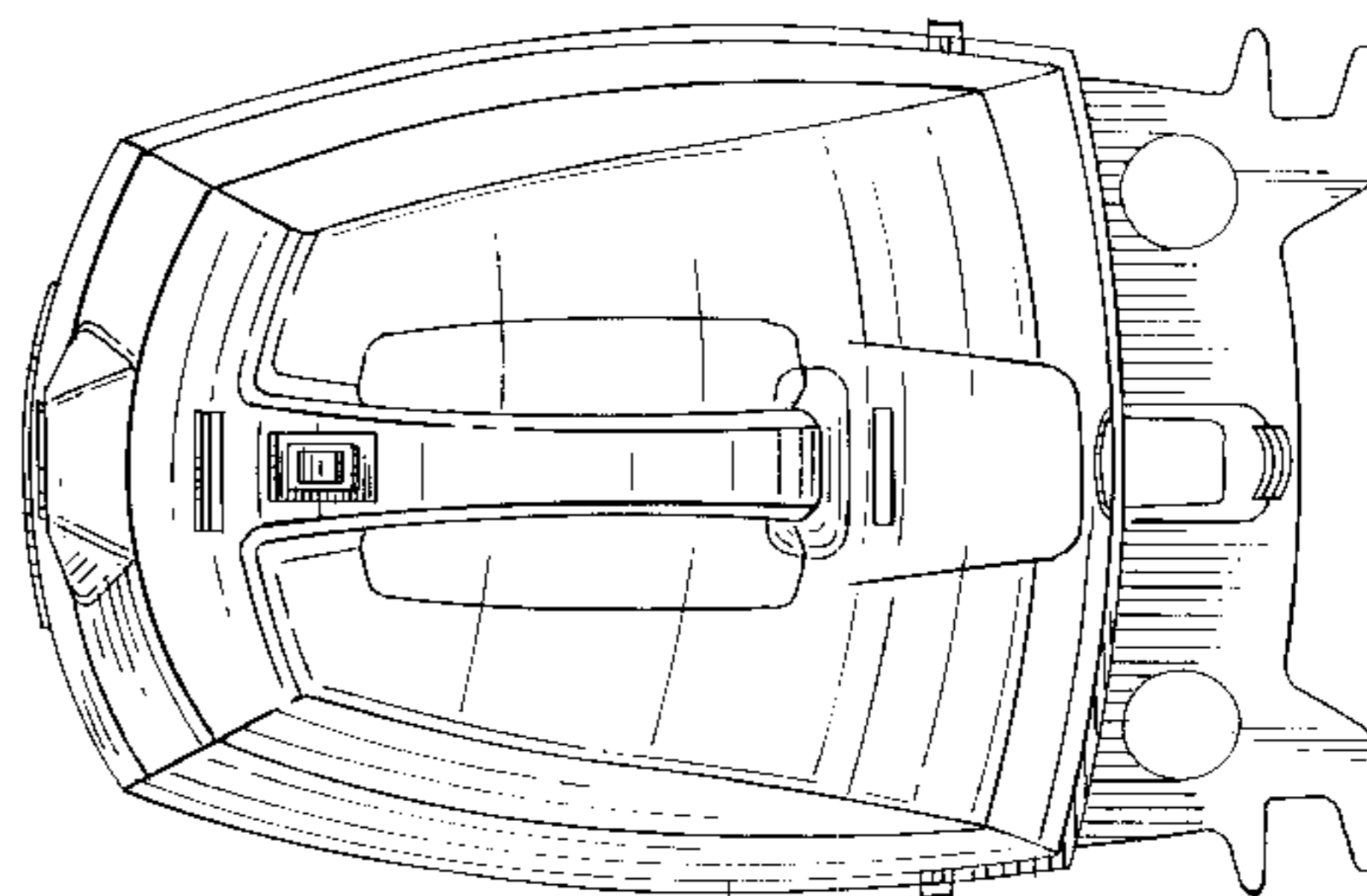
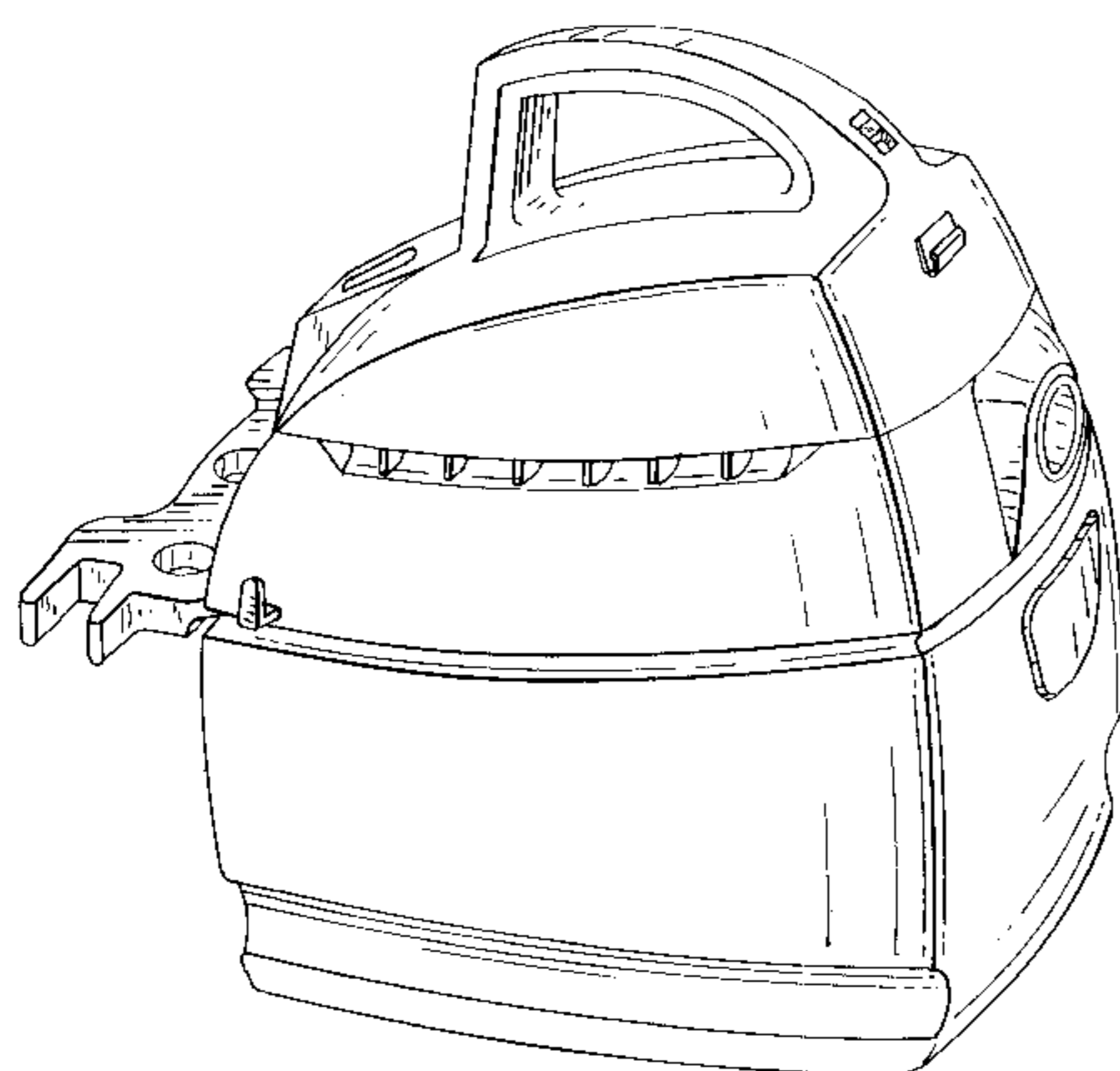


FIG. 1

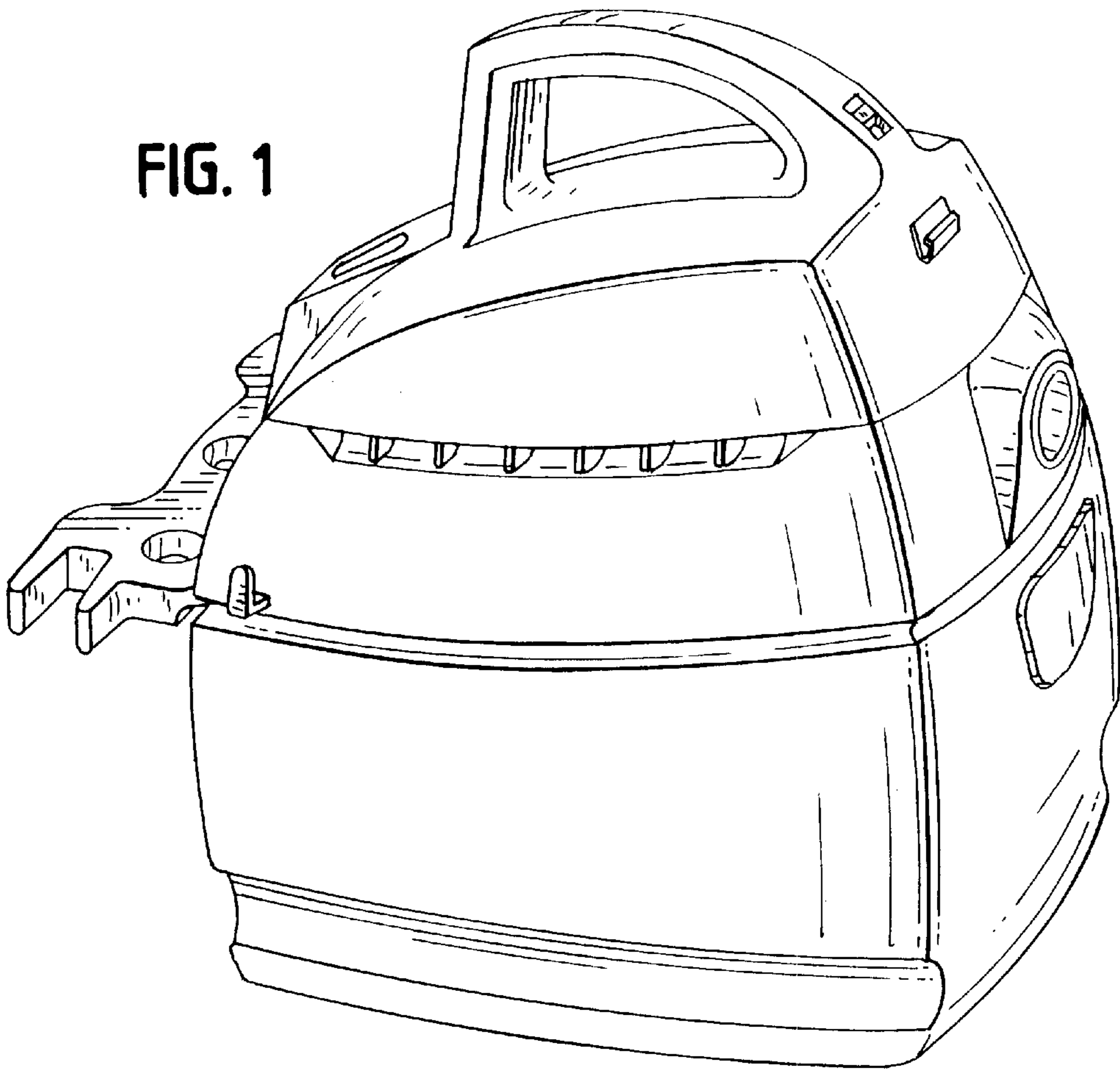


FIG. 2

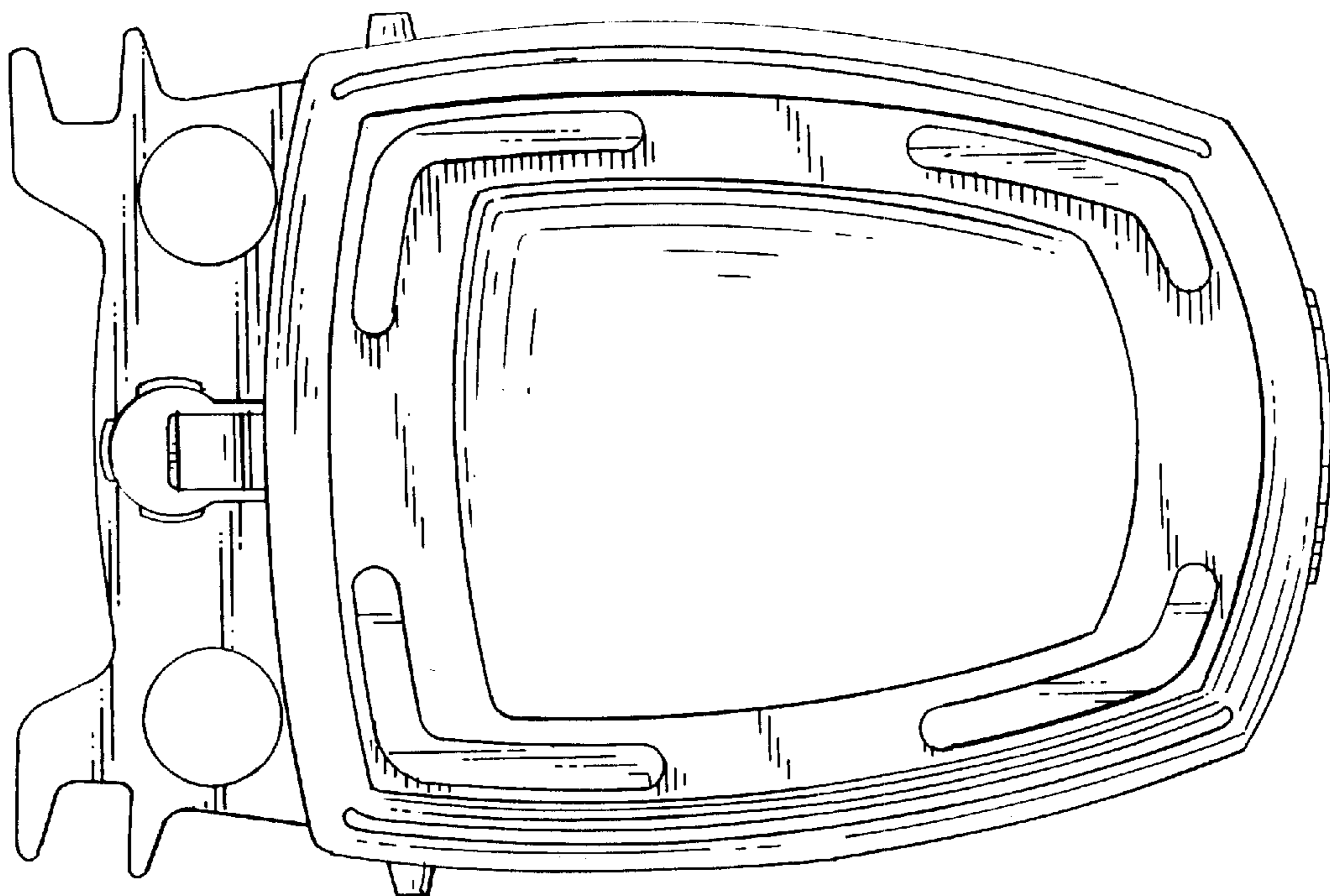


FIG. 3

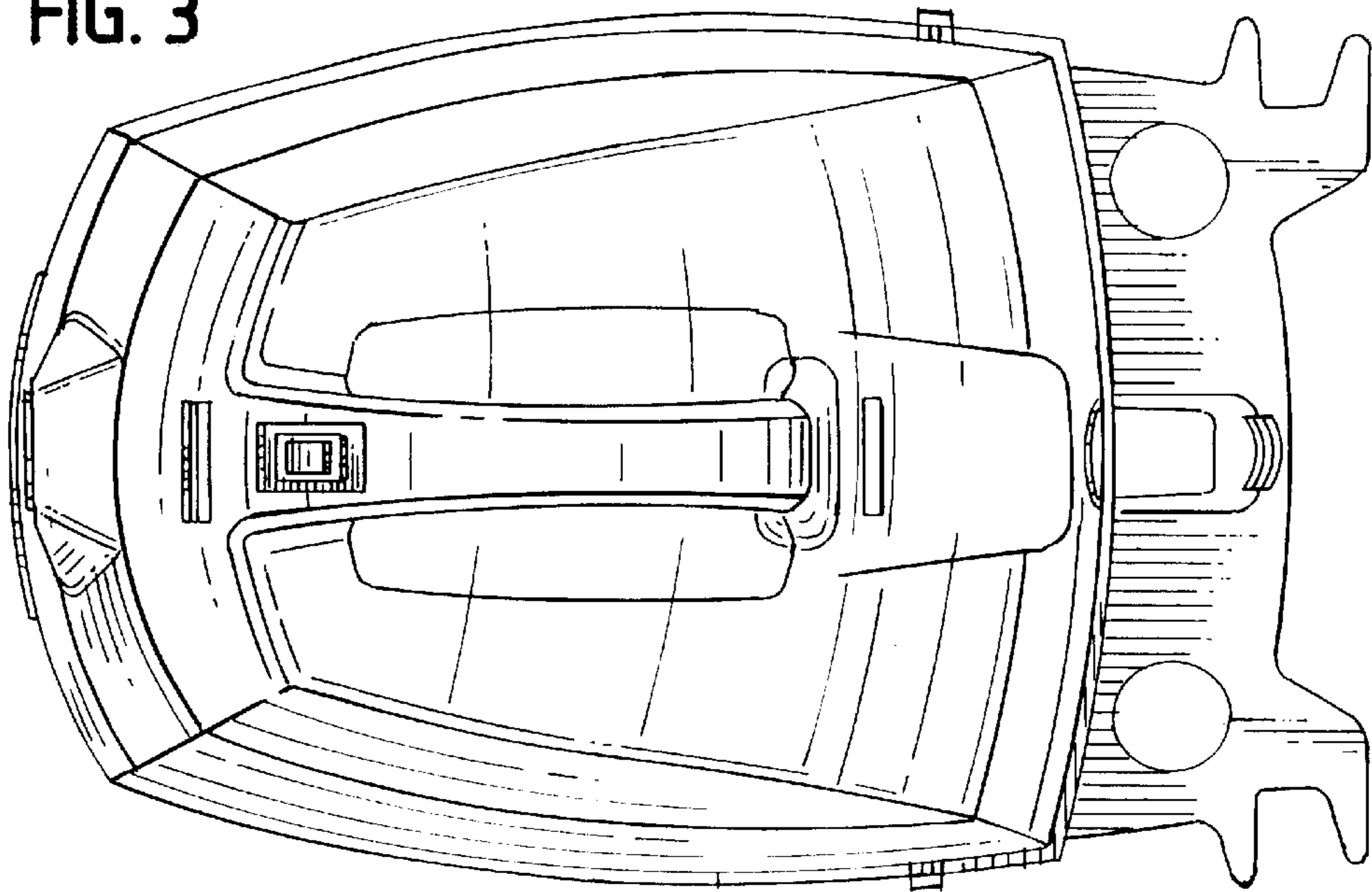


FIG. 4

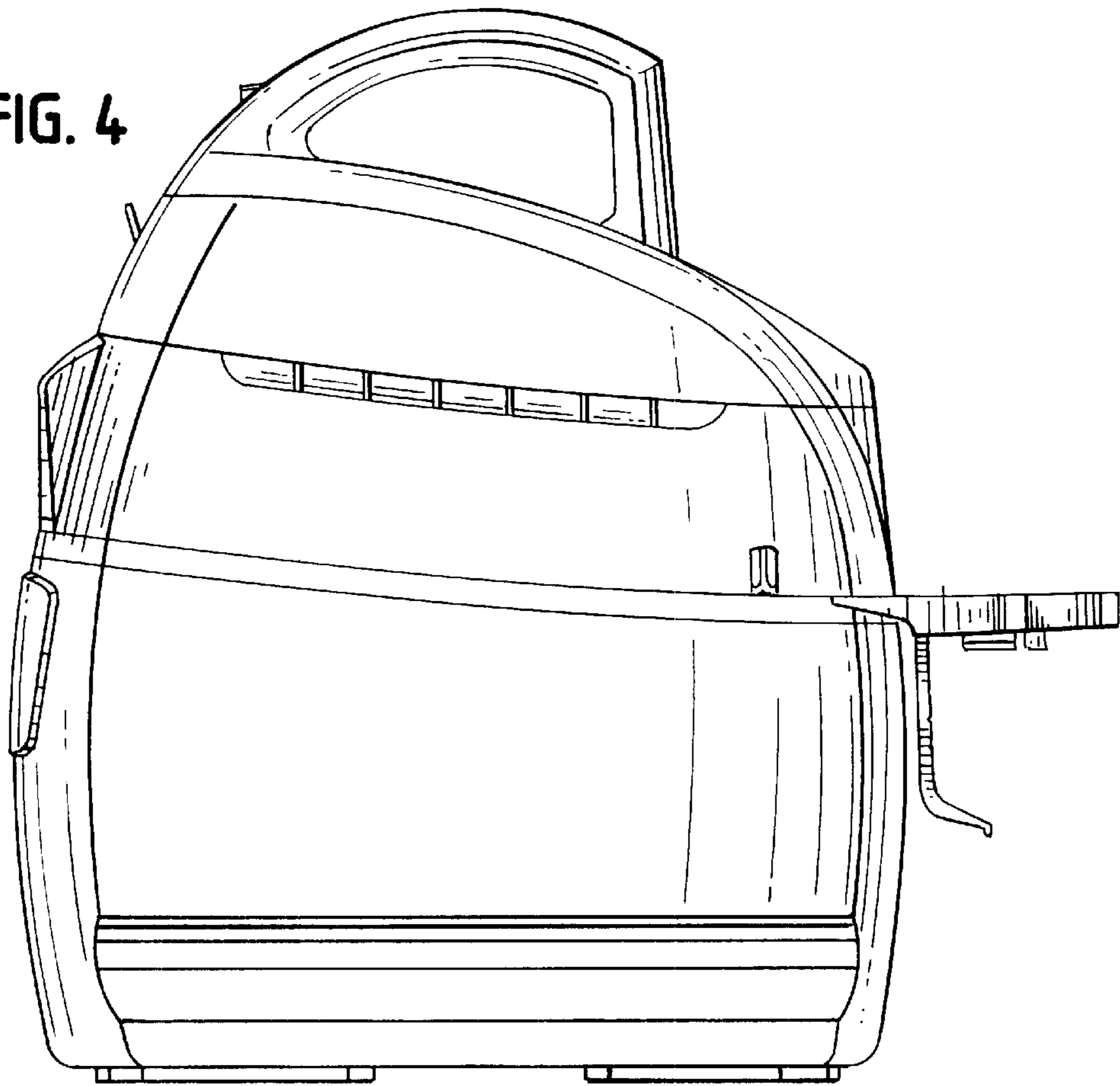


FIG. 5

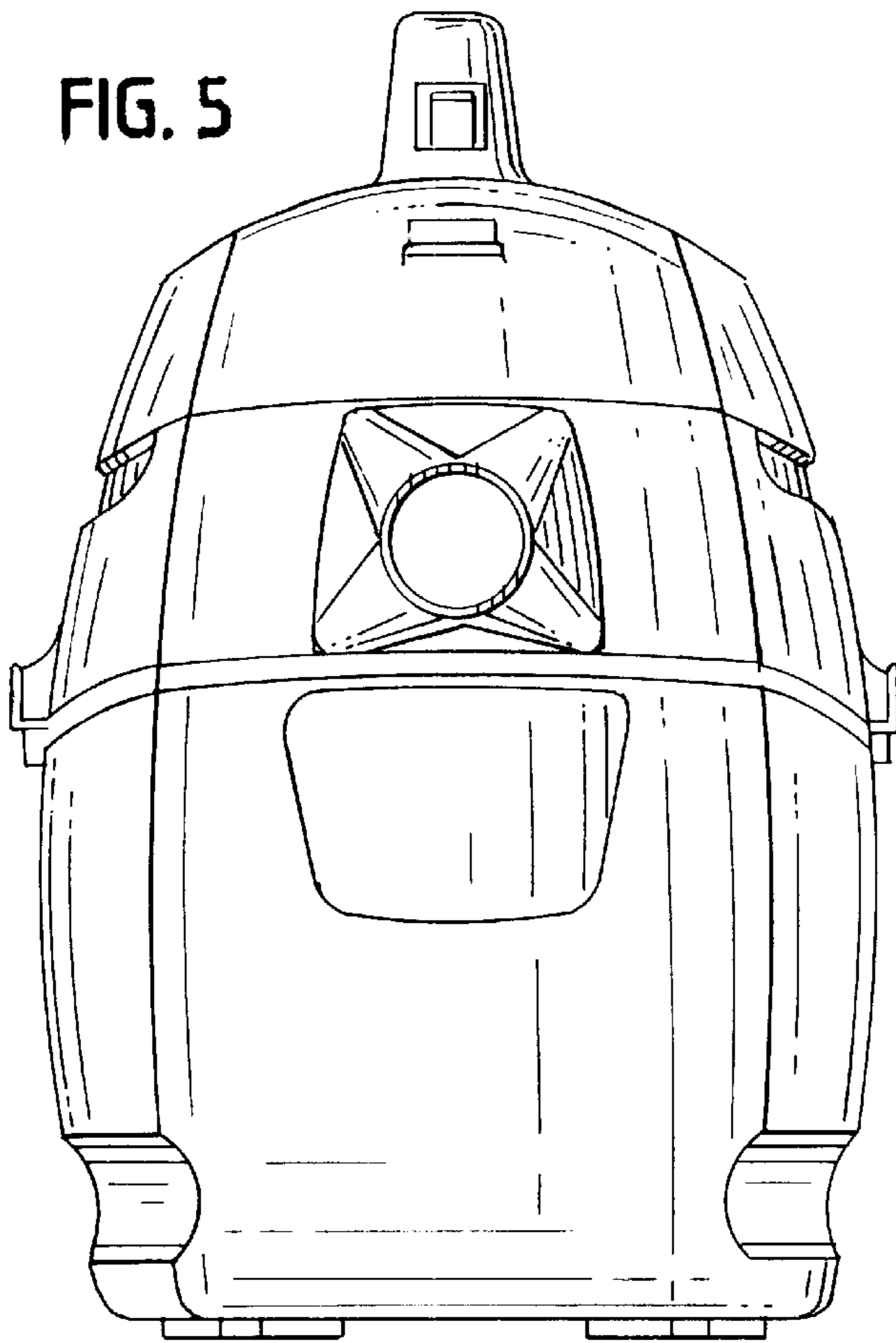


FIG. 6

