



US00D467692S

(12) **United States Design Patent**
Morgan et al.

(10) **Patent No.:** **US D467,692 S**

(45) **Date of Patent:** **** Dec. 24, 2002**

(54) **PRESSURE WASHER**

(75) Inventors: **Fred M. Morgan**, Jackson, TN (US);
Robert F. Burkholder, Jackson, TN
(US); **Allen Palmer**, Lexington, TN
(US)

(73) Assignee: **DeVilbiss Air Power Company**,
Jackson, TN (US)

(**) Term: **14 Years**

(21) Appl. No.: **29/155,837**

(22) Filed: **Feb. 19, 2002**

(51) **LOC (7) Cl.** **15-05**

(52) **U.S. Cl.** **D32/15**

(58) **Field of Search** D32/1, 4, 15-18,
D32/21; D15/7-9; 15/320-321, 340.1, 340.2;
134/103.2; 239/146-149, 273, 276, 375,
525, 532, 722; 417/360, 364

(56) **References Cited**

U.S. PATENT DOCUMENTS

D281,632 S * 12/1985 Yang D32/15
D341,008 S * 11/1993 Berfield et al. D32/1

5,405,086 A * 4/1995 Kranzle 239/172
D375,590 S * 11/1996 Steinhart et al. D32/15
5,700,137 A * 12/1997 Simonette 417/364
D458,423 S * 6/2002 Rehkugler et al. D32/16

* cited by examiner

Primary Examiner—Nelson C. Holtje

(74) *Attorney, Agent, or Firm*—Suiter & Associates PC

(57) **CLAIM**

We claim the ornamental design for a pressure washer, as shown.

DESCRIPTION

FIG. 1 is an isometric view of the pressure washer showing our new design;

FIG. 2 is a top plan view thereof;

FIG. 3 is a left side elevation view thereof;

FIG. 4 is a front elevation view thereof;

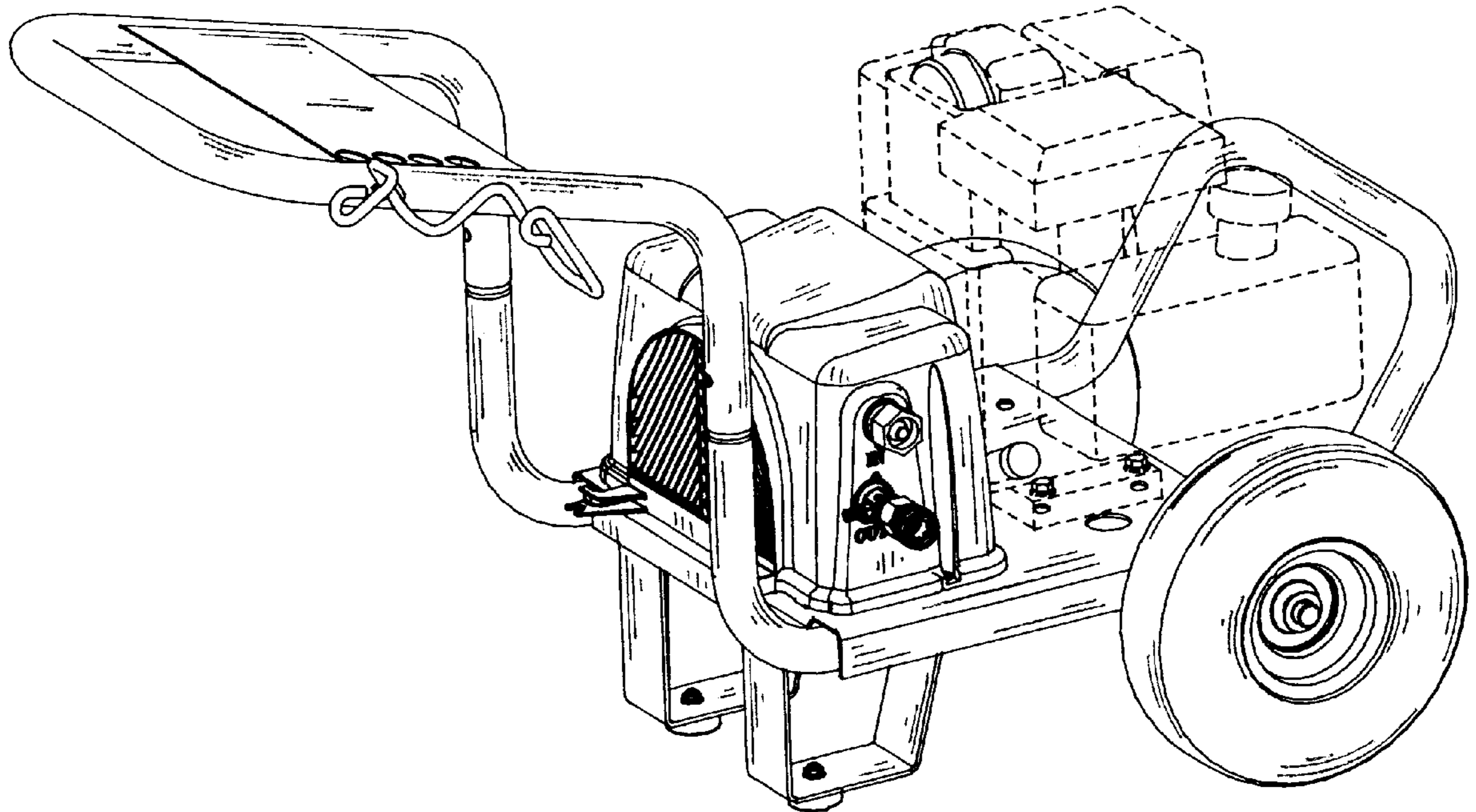
FIG. 5 is a right side elevation view thereof;

FIG. 6 is a rear elevation view thereof; and,

FIG. 7 is a bottom plan view thereof.

The broken line showing of an engine is for illustrative purposes only and forms no part of the claimed design.

1 Claim, 3 Drawing Sheets



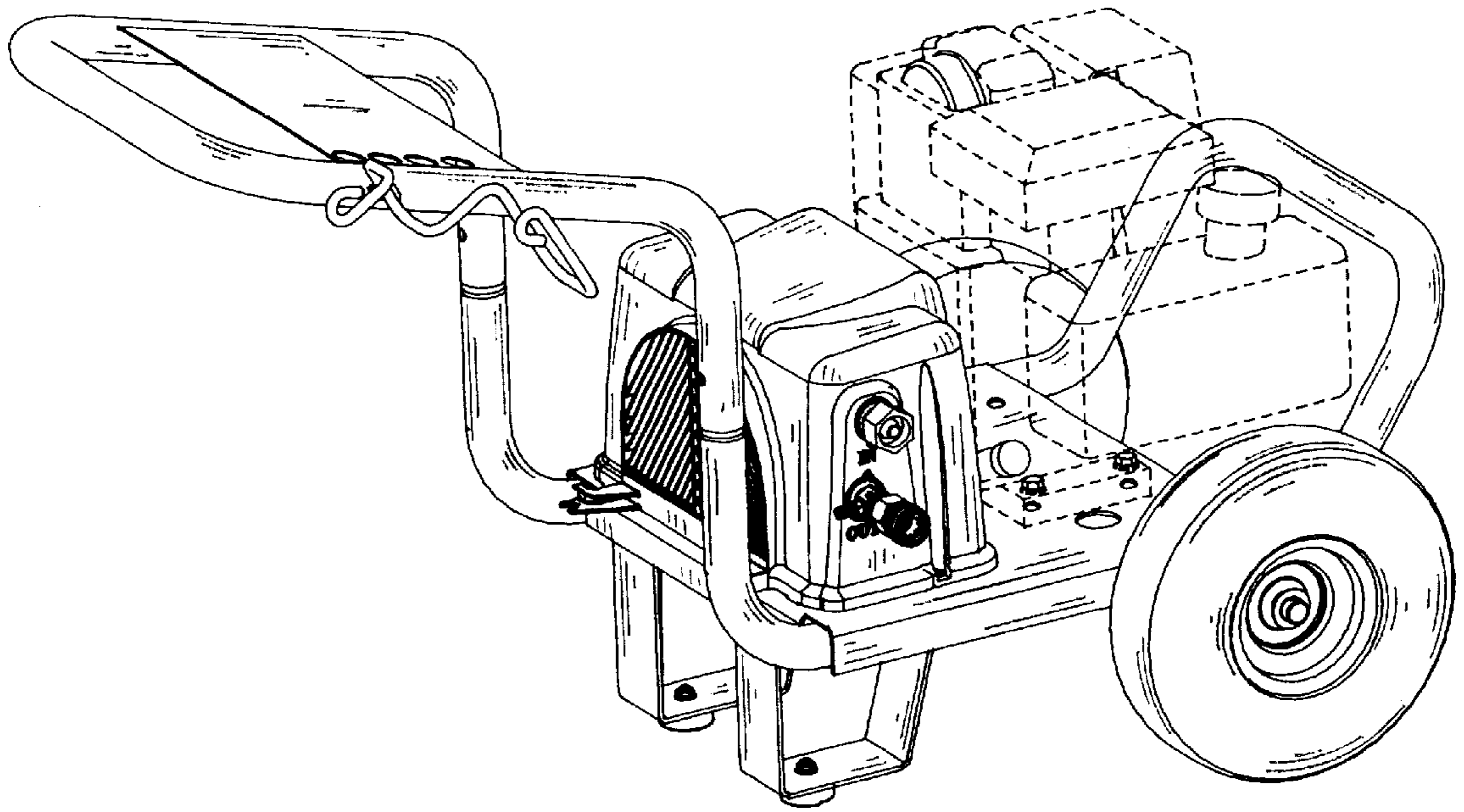


FIG. 1

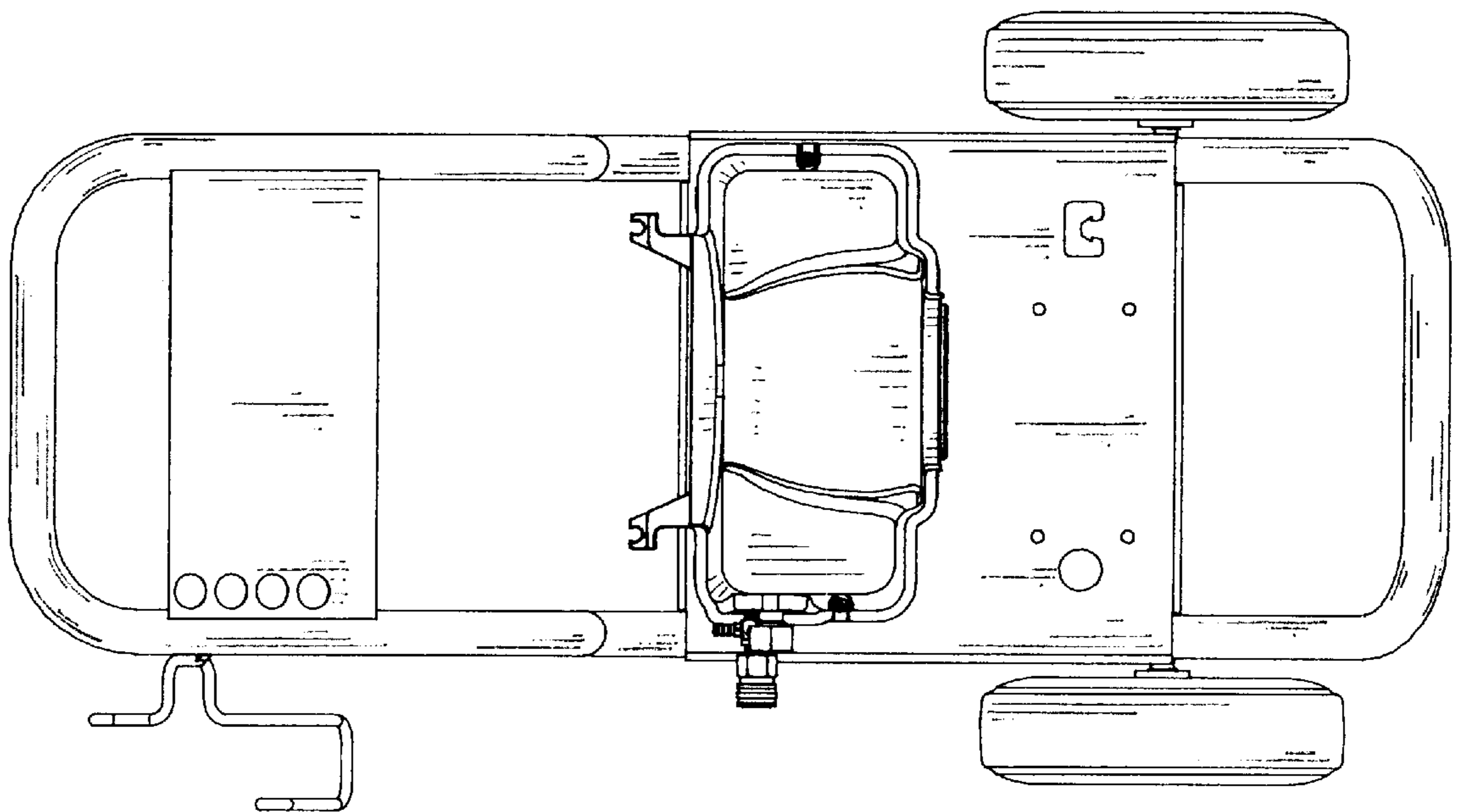


FIG. 2

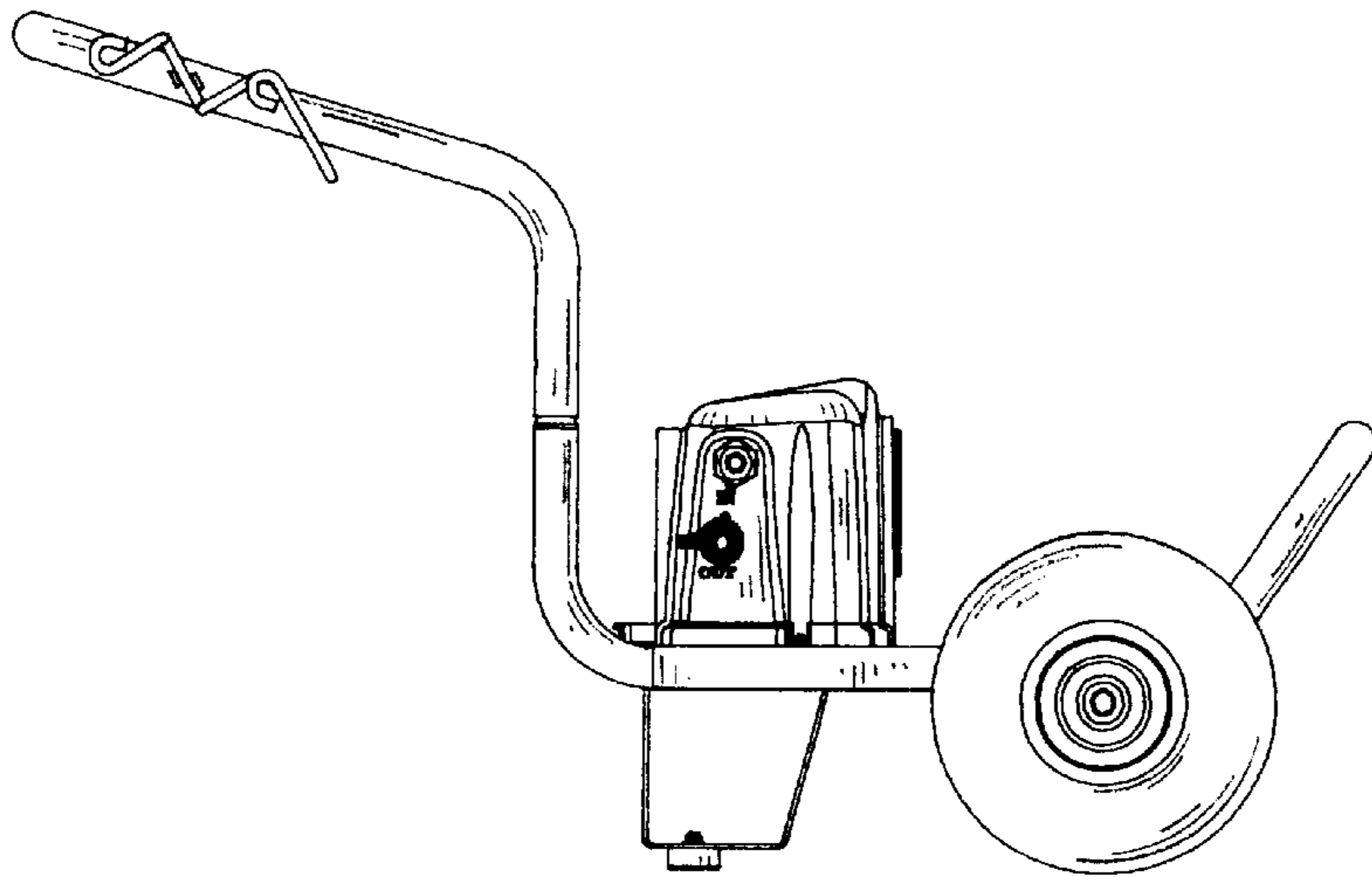


FIG. 3

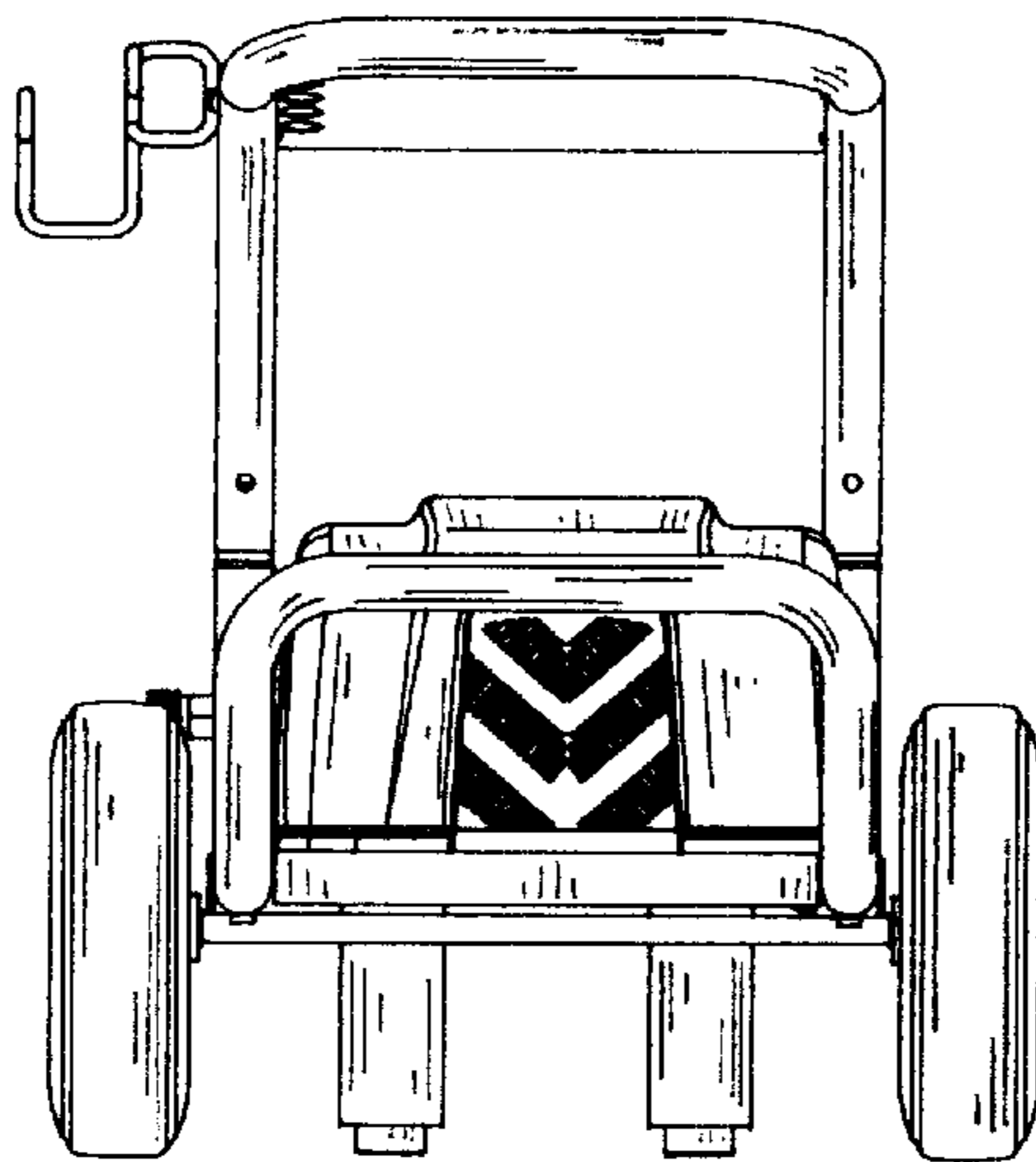


FIG. 4

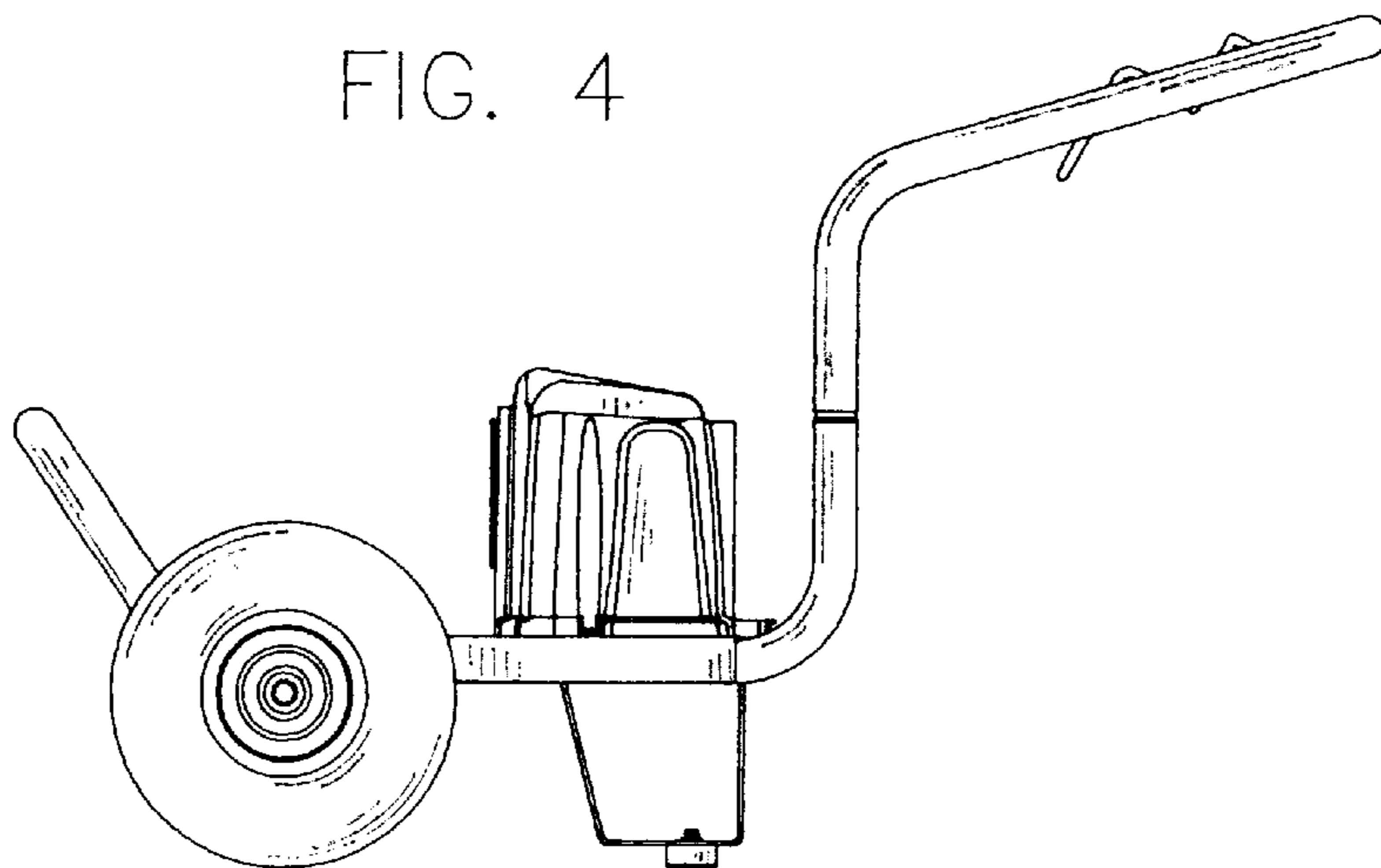


FIG. 5

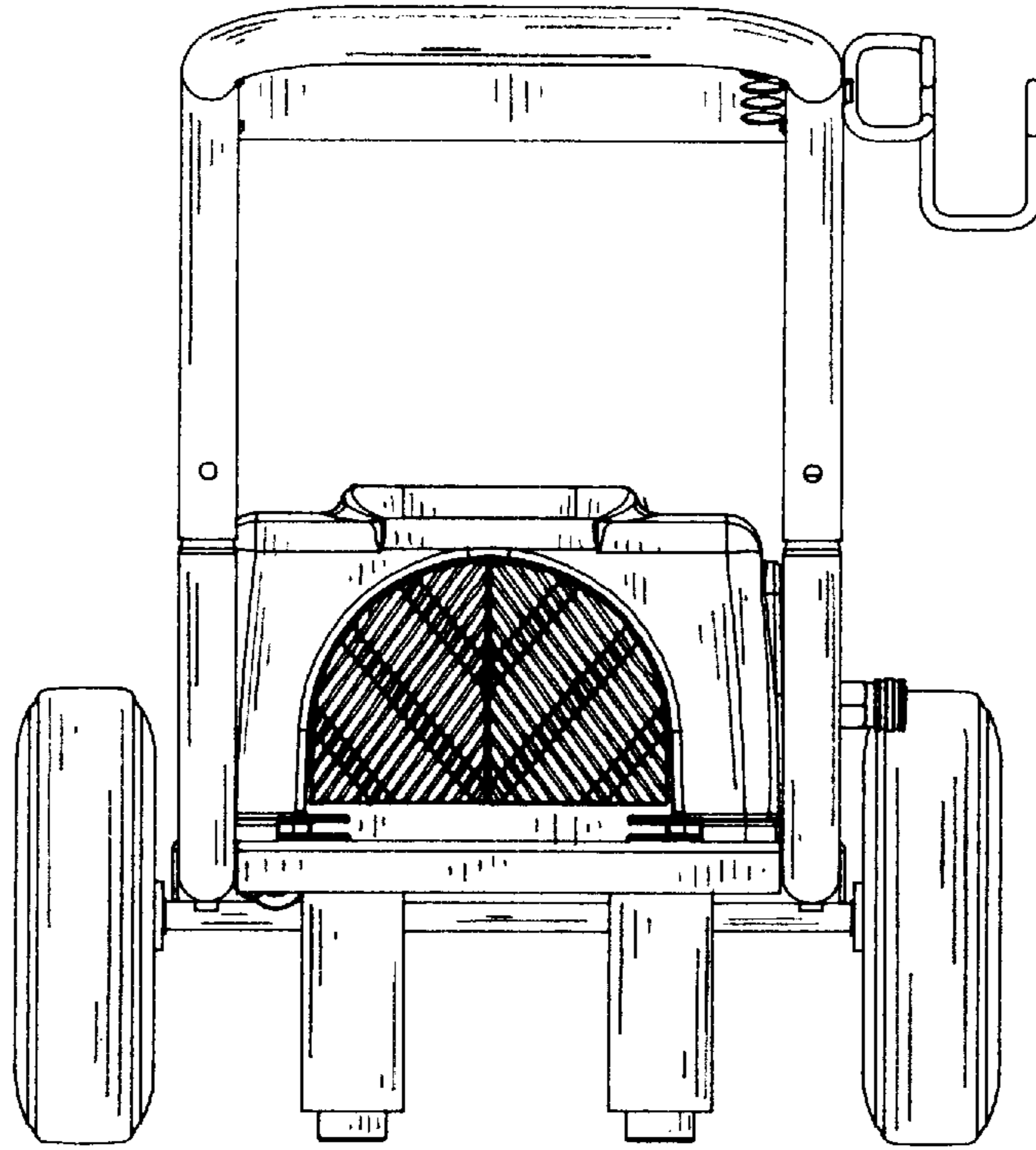


FIG. 6

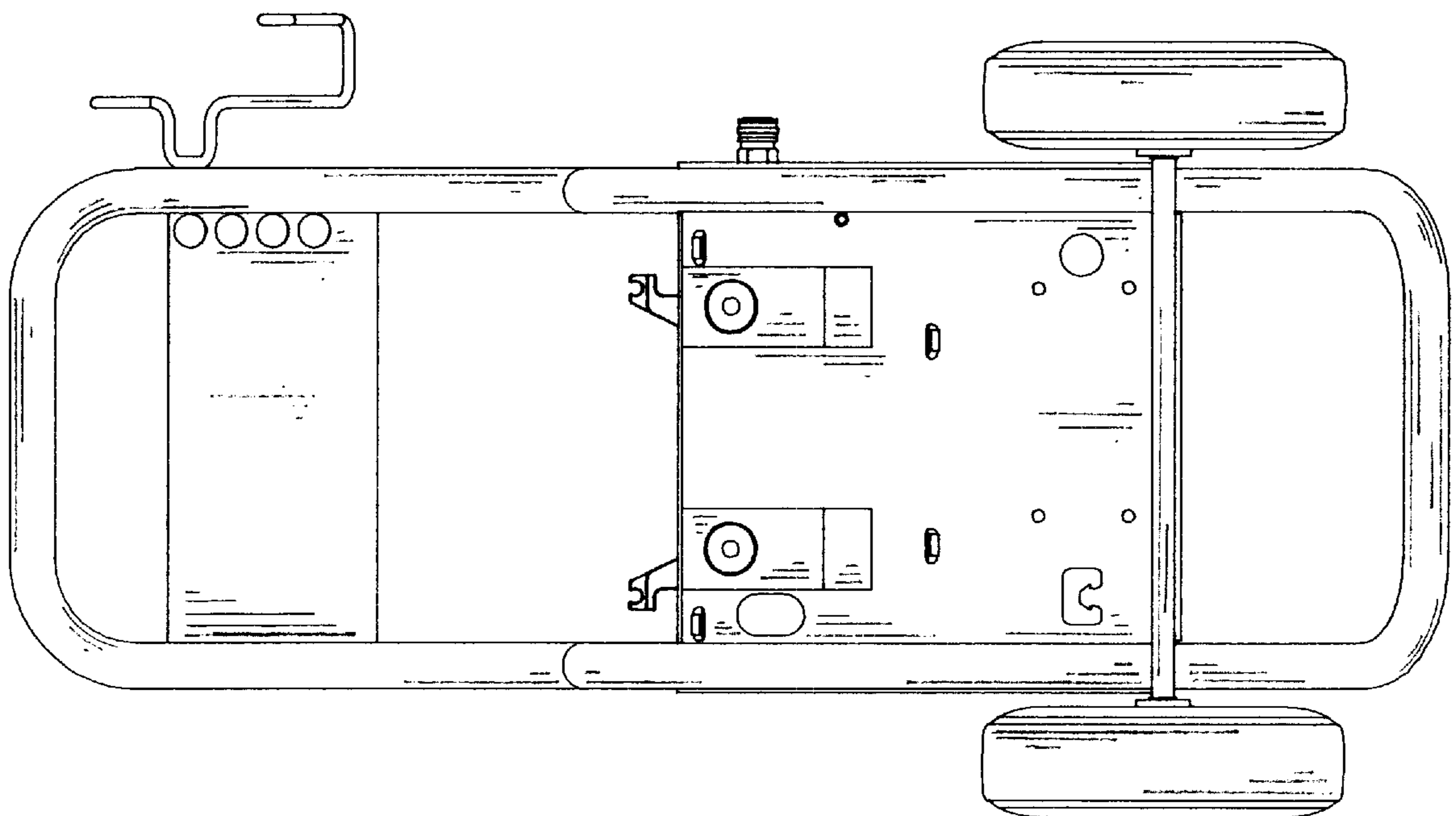


FIG. 7