



US00D467689S

(12) **United States Design Patent**  
**Court et al.**

(10) **Patent No.:** **US D467,689 S**

(45) **Date of Patent:** **\*\* Dec. 24, 2002**

(54) **MILK SAMPLER**

4,883,464 A \* 11/1989 Morifuki ..... 119/14.42

D324,591 S \* 3/1992 Lallerstedt ..... D30/199

5,379,724 A \* 1/1995 Dee et al. .... 119/673

(75) Inventors: **David Court**, Somerset (GB); **Peter Hemming**, Northants (GB); **Tony Nash**, Oxfordshire (GB)

\* cited by examiner

(73) Assignee: **Ambic Equipment Limited**, Oxfordshire (GB)

*Primary Examiner*—Pamela Burgess

(74) *Attorney, Agent, or Firm*—Young & Thompson

(\*\*) Term: **14 Years**

(57) **CLAIM**

(21) Appl. No.: **29/155,051**

The ornamental design for a milk sampler, as shown and described.

(22) Filed: **Feb. 5, 2002**

**DESCRIPTION**

(51) **LOC (7) Cl.** ..... **30-99**

(52) **U.S. Cl.** ..... **D30/199**

(58) **Field of Search** ..... D30/199; 119/14.23, 119/14.01, 14.42, 14.53, 14.47, 14.46, 14.55, 14.38, 14.39

FIG 1 is a top perspective view of a milk sampler showing our new design;

FIG 2 is a side elevational view thereof; and,

FIG 3 is a right end elevational view thereof.

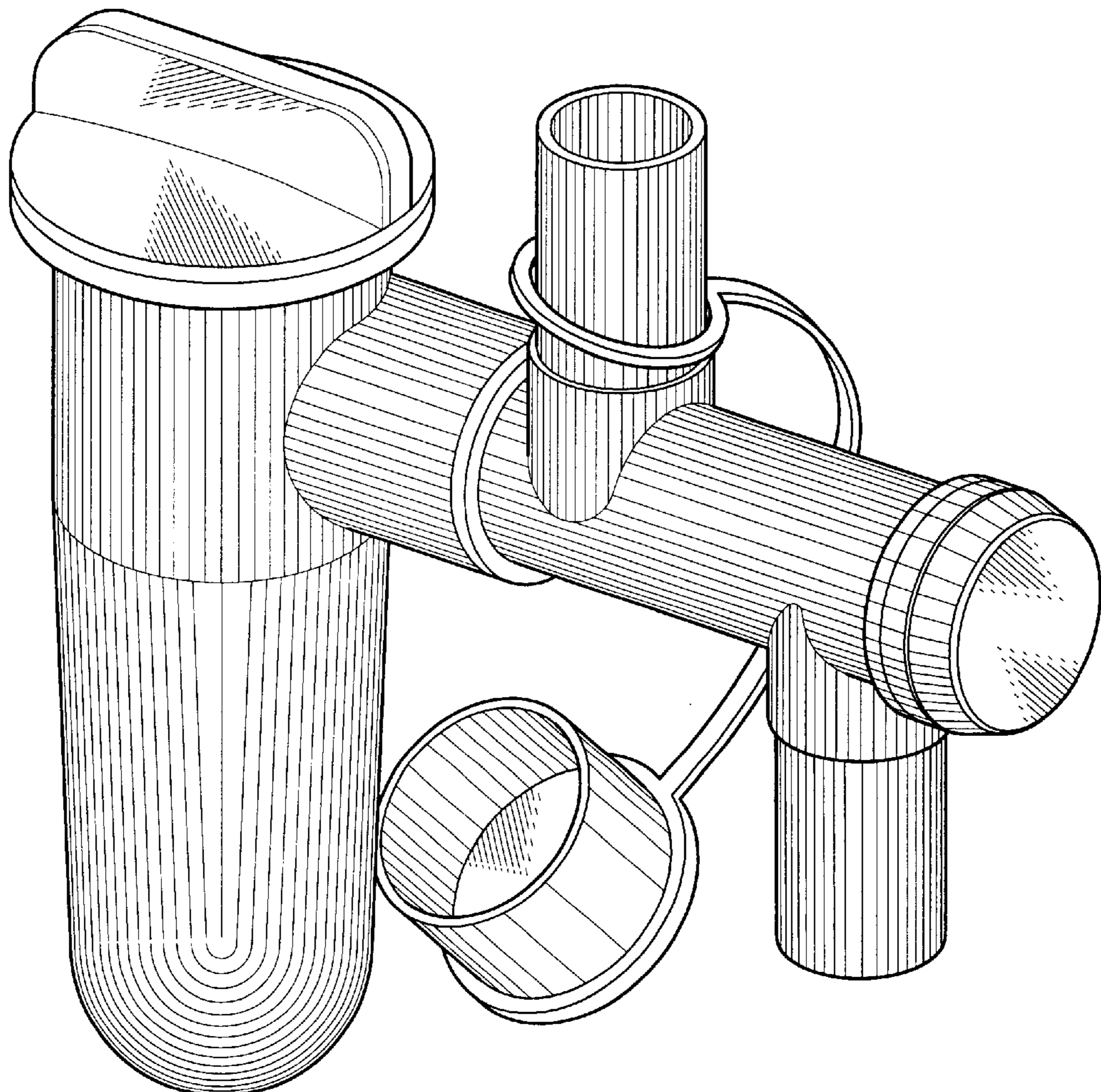
It is understood that the linework and stippling in the drawings represent surface shading.

(56) **References Cited**

**U.S. PATENT DOCUMENTS**

4,483,272 A \* 11/1984 Tonelli ..... 119/14.32

**1 Claim, 2 Drawing Sheets**



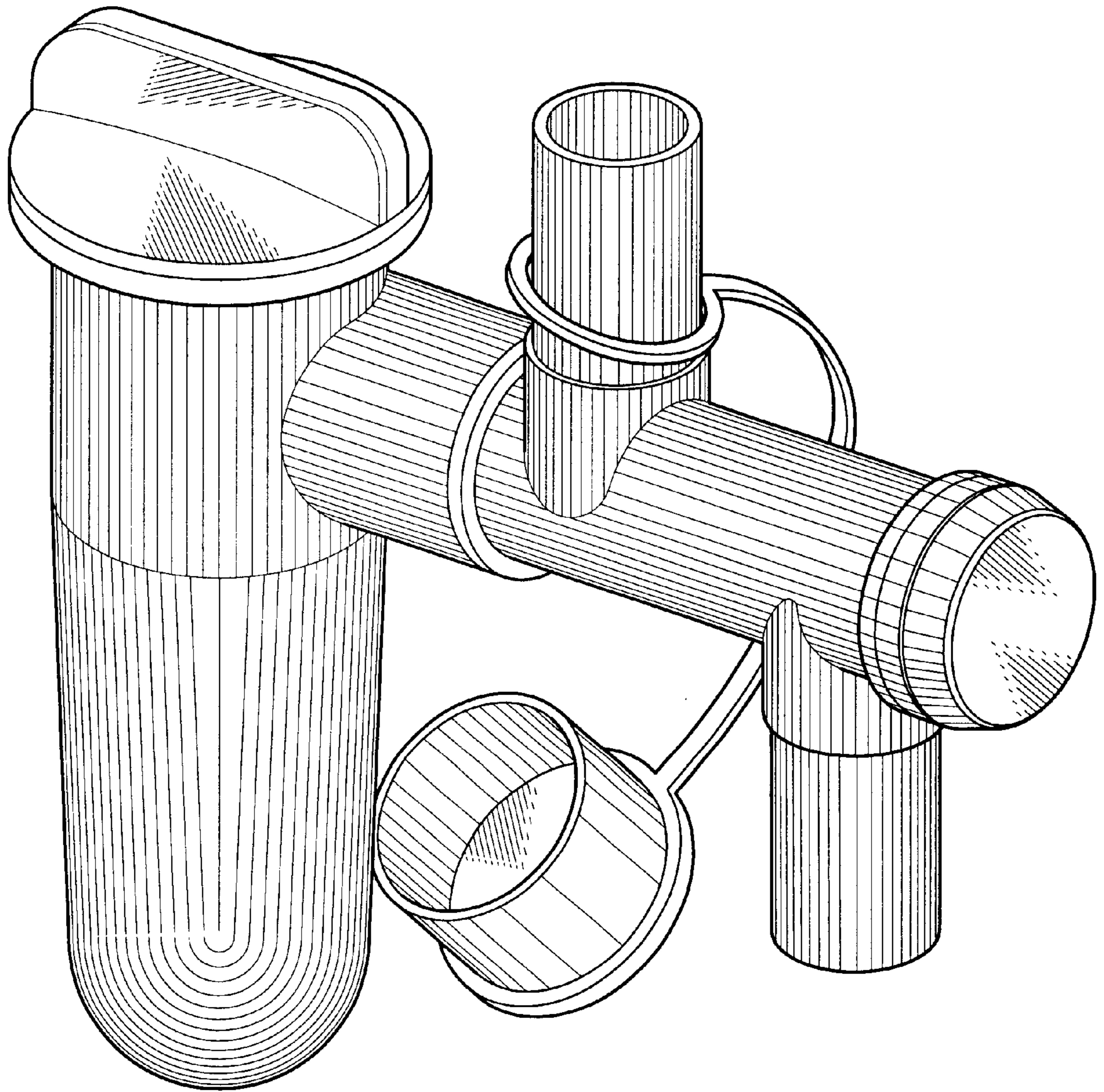


FIG 1

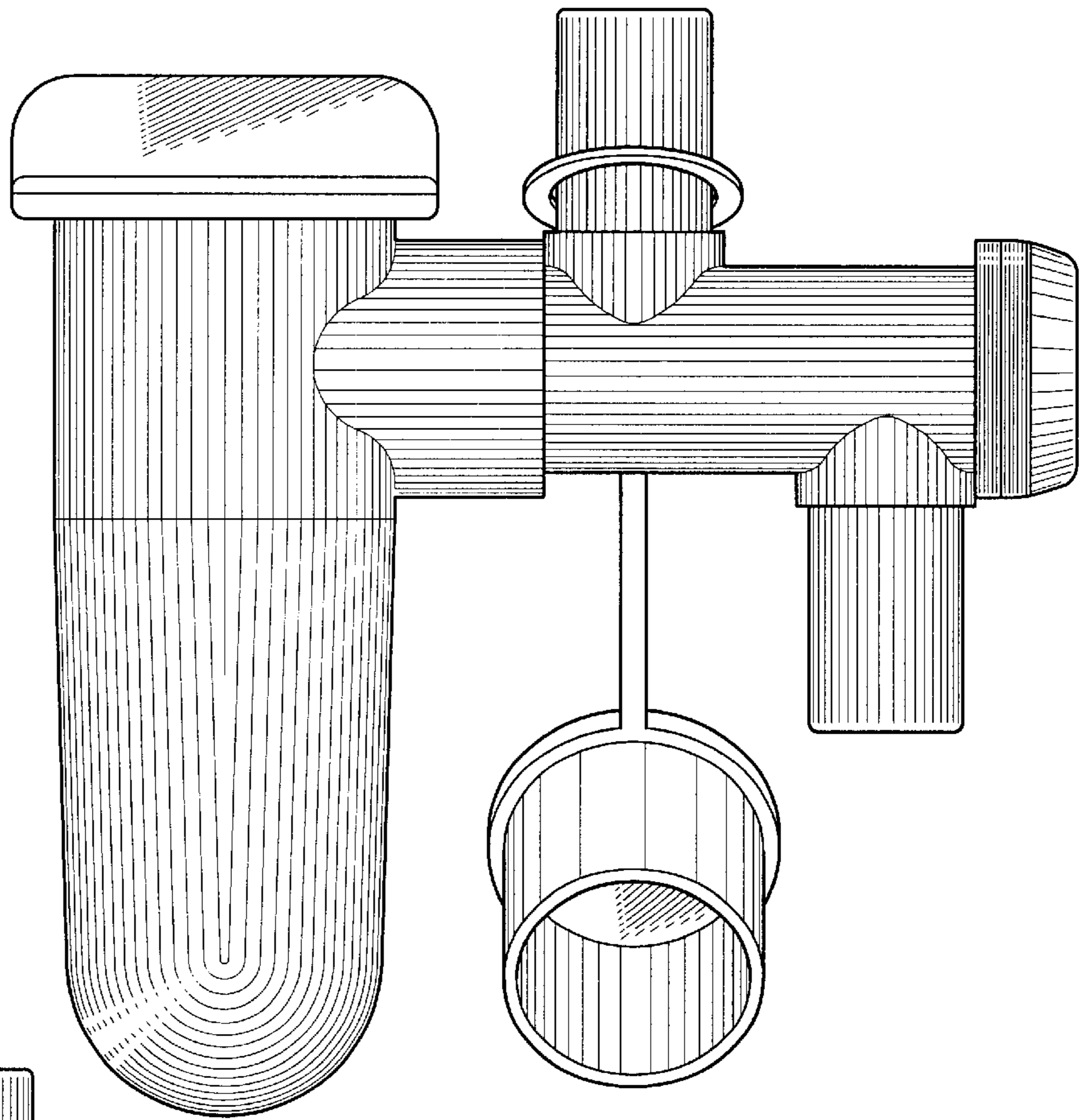


FIG 2

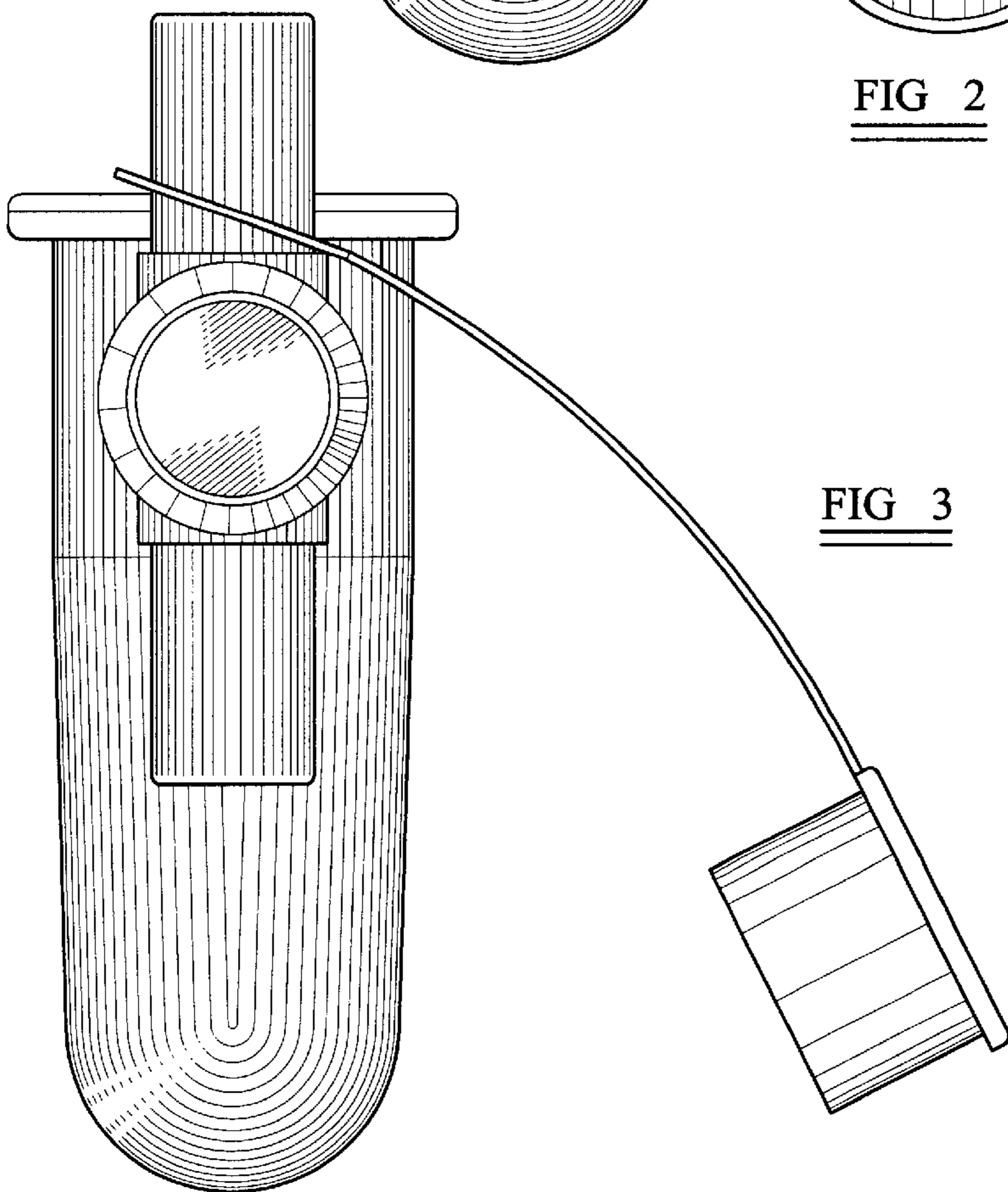


FIG 3